

DINKLE ENTERPRISE CO., LTD.

No.19,Wuquan 2nd Road., Wugu District,
New Taipei City 24890, Taiwan
TEL:+886-2-8069-9000 7705-6900
FAX:+886-2-2290-1702
E-mail:service@dinkle.com
Web:www.dinkle.com

DINKLE INTERNATIONAL CO., LTD.

No.19,Wuquan 2nd Road., Wugu District,
New Taipei City 24890, Taiwan
TEL:+886-2-8069-9000 7705-6900
FAX:+886-2-2290-1702
E-mail:service@dinkle.com
Web:www.dinkle.com

OPTIKLE INTERNATIONAL CO., LTD.

Room 29, 1/F, Block B, Proficient Industrial Center,
No.6 Wang Kwun Road, Kowloon Bay, Kowloon,
Hong Kong
TEL:+852-2795-3840 2758-8005
FAX:+852-2753-6919
E-mail: Service.LY.Sales@dinkle.com.cn
Web:www.dinkle.com

DINKLE ELECTRIC MACHINERY (CHINA) CO., LTD.

No.388,Xingpu Mid RD,Shipu Business Administration Estate,
Qiandeng Town, Kunshan City, Jiangsu Province, China
TEL:+86-512-5708-8588
FAX:+86-512-5708-8600
E-mail: Service.SH.Sales@dinkle.com.cn
Web: www.dinkle.com/kscn/

LIYAN ELECTRIC MACHINERY (DONGGUAN) CO., LTD.

No.16 2st street Jinqian Ridge, Jiming gang village,
Huangjiang town, Dongguan City, Guangdong Province
TEL:+86-769-8336-4350 8336-4370
FAX:+86-769-8336-4314
E-mail: Service.LY.Sales@dinkle.com.cn
Web:www.dinkle.com/cn/

DINKLE CORPORATION, USA

13748 Pike Road, Missouri City, Texas, USA 77489
TEL:+1-832-539-4703
Toll-Free:+1-844-273-1850
FAX:+1-832-532-7226
E-mail:Service.US.Sales@dinkle.com
Web:www.dinkle.com/en/home

DINKLE S.R.L, ITALY

Via Stabilini n°14, 23864 Malgrate (LC), Italia
TEL:+39/0341176154
E-mail: Service.It.Sales@dinkle.com
Web:www.dinkle.com/it/

DINKLE ELECTRIC TRADING (SHANGHAI) CO., LTD.

Unit 3706, 2 Grand Gateway, No. 3 Hongqiao Road,
Xuhui District, Shanghai City.
TEL:+86-21-6487-0636 6487-5423
FAX:+86-21-3356-2500
E-mail: Service.SH.Sales@dinkle.com.cn
Web: www.dinkle.com/cn/

Beijing Sales Office

TEL:+86-10-5873-4338
FAX:+86-10-5873-4337
E-mail: Service.SH.Sales@dinkle.com.cn
Web: www.dinkle.com/cn/

Xi An Sales Office

TEL:+86-29-8885-8475
FAX:+86-21-3356-2500
E-mail: Service.SH.Sales@dinkle.com.cn
Web: www.dinkle.com/cn/



E-mail : service@dinkle.com

Web : www.dinkle.com

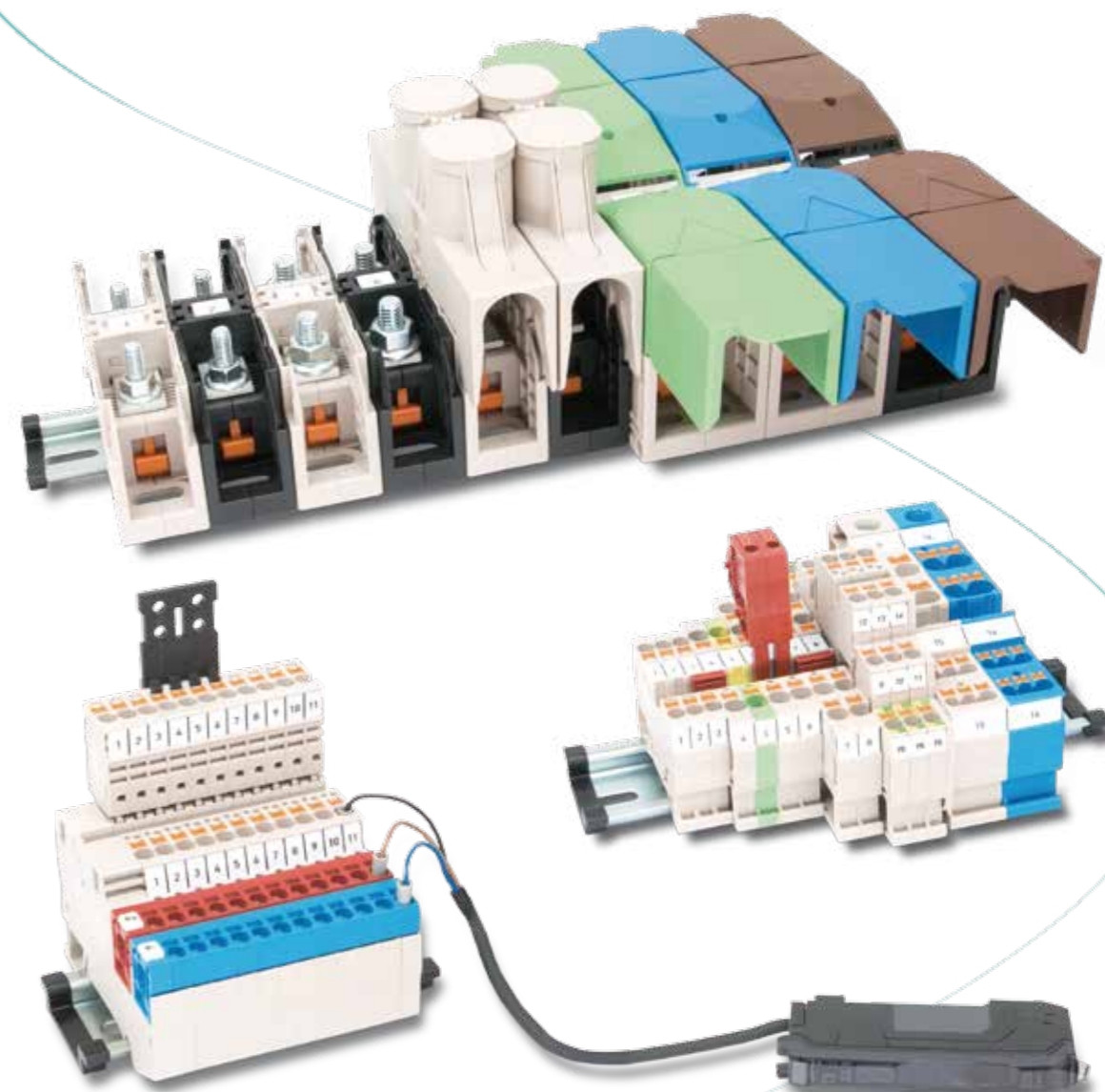
Dinkle remains the right of product modification and engineering change of design.
The catalogue is for reference only. The final product is made according to actual
engineering drawing.

弊社標準品に関しては、修正や設計変更等が行われるため、カタログは参考であり、
詳細仕様は図面を基準とする。

本公司對產品保有修改、設變權，目錄僅供參考，實際產品仍需依照工程圖面
為準。

APR./2022

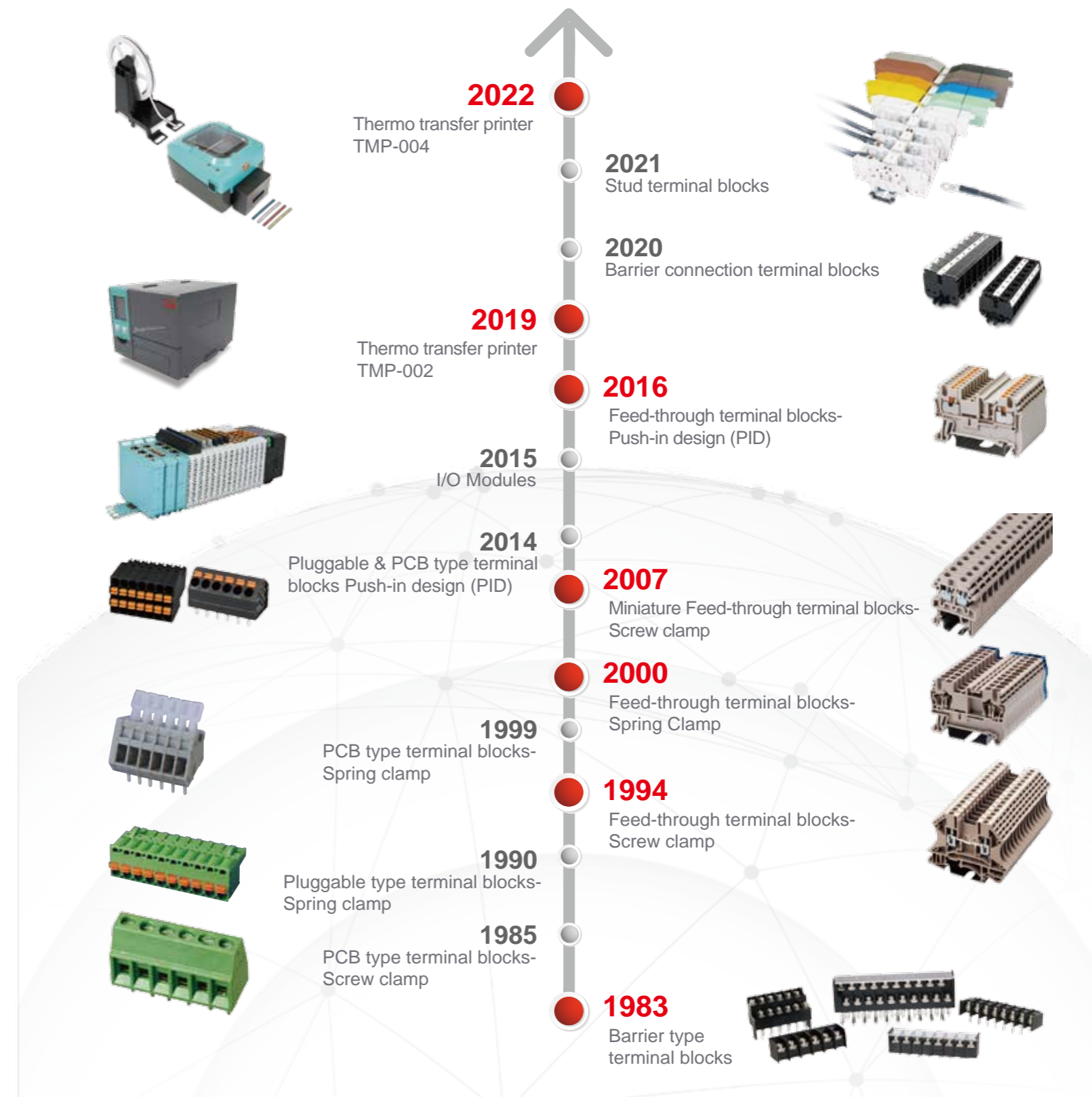
Terminal Block



Company Profile





Founded in 1983, Dinkle now has been a leading global manufacturer of electrical connection and components for industrial automation technology and contributes in developing and manufacturing products for electrical connectivity, electrical cabinets and communication electronics. With over 400 engineers in the R&D center, all components are manufactured in-house to ensure the outstanding product performance and quality. All production sites are granted by ISO9001 and ISO 14001 and the products are certified by safety approvals of UL, VDE, TUV, ENEC and LR.





Push-in Design Terminal Blocks





Feed-through Terminal Blocks

DP..N		
	1.5 mm ² 2.5 mm ² 4 mm ² 6 mm ²	P.3 P.3 P.3 P.4
DP..		
	10 mm ² 16 mm ²	P.4 P.4



Feed-through Grounding Terminal Blocks

DP..N-PE		
	1.5 mm ² 2.5 mm ² 4 mm ² 6 mm ²	P.9 P.9 P.9 P.10
DP..-PE		
	10 mm ² 16 mm ²	P.10 P.10


Feed-through 3-Conductor Terminal Blocks

DP..N-TN		
	1.5 mm ² 2.5 mm ² 4 mm ² 6 mm ²	P.5 P.5 P.5 P.6
DP..-TN		
	10 mm ²	P.6


Feed-through 3-Conductor Grounding Terminal Blocks

DP..N-TN-PE		
	1.5 mm ² 2.5 mm ² 4 mm ² 6 mm ²	P.11 P.11 P.11 P.12
DP..-TN-PE		
	10 mm ²	P.12



Feed-through 4-Conductor Terminal Blocks

DP..N-TR		
	1.5 mm ² 2.5 mm ² 4 mm ² 6 mm ²	P.7 P.7 P.7 P.8



Feed-through 4-Conductor Grounding Terminal Blocks

DP..N-TR-PE		
	1.5 mm ² 2.5 mm ² 4 mm ² 6 mm ²	P.13 P.13 P.13 P.14



Feed-through Multi-Level Terminal Blocks

DPP..N		
	1.5 mm ² 2.5 mm ² 4 mm ²	P.15 P.16 P.16
	2.5 mm ²	P.16



Multi-Level Terminal Blocks with Equipotential Bonder

DPP..N-PV		
	1.5 mm ² 2.5 mm ² 4 mm ²	P.17 P.17 P.17
	2.5 mm ²	P.18

Multi-Level Terminal Blocks with PE Foot

DPP..N-..L2PE		
	1.5 mm ² 2.5 mm ² 4 mm ²	P.19 P.19 P.19
	DP2.5N-3L-L3PE DP2.5N-3L-SPE DP4-3L-SPE	P.20 P.20 P.20

Multi-Level Grounding Terminal Blocks

DPP..N-PE		
	1.5 mm ² 2.5 mm ² 4 mm ²	P.21 P.21 P.21
	DP2.5N-3L-PE	P.22



Push-in Design Terminal Blocks





Bi-Level Diode Terminal Blocks

	DPP2.5N-D01 DPP2.5N-D02 DPP2.5N-D03 DPP2.5N-D04	P.23 P.24 P.24 P.24
---	--	------------------------------


Potential distribution Terminal Blocks

	DPD6-P001 DPD6-P002	P.26 P.26
	DPD10-P001 DPD10-P002 DPD16-P001 DKD35-P001 DKD35-P002 DKD35-P003	P.27 P.27 P.27 P.28 P.28 P.28




Sensor / Actuator Terminal Blocks

	DP2.5SGQK01 DP2.5SGQK02 DP2.5SGQK03 DP2.5SGQK04 DP2.5SGQK05	P.29 P.30 P.30 P.30 P.30
	DP2.5SG DP2.5SGT DP2.5SGC-PE DP2.5SGR DP2.5SGRT DP2.5SGRC-PE 0207-01XX	P.31 P.31 P.31 P.32 P.32 P.32 P.32




Plug-in Connection Terminal Blocks

	DPES2.5QK01 DPES2.5QK02 DPES2.5QK03 DPES2.5QK04 DPES2.5QK05 DPES2.5 DPES2.5-PE DP2.5PG-XXP	P.33 P.34 P.34 P.34 P.34 P.35 P.35 P.35
---	---	--

Knife and Disconnect Terminal Blocks

DP..-TP		
	2.5 mm ² 4 mm ²	P.37 P.38
DP..-TG		
	2.5 mm ² 4 mm ²	P.37 P.38
DP..-CP		
	2.5 mm ² 4 mm ²	P.37 P.38



Bi-Level Knife and Disconnect Terminal Blocks

DPP..-TP		
	2.5 mm ²	P.39
DPP..-TG		
	2.5 mm ²	P.39
DPP..-CP		
	2.5 mm ²	P.39


Lever-Type Fuse Disconnect Terminal Blocks

	DP4-TF(5X20) DP4-TFLXX(5X20) DP6-TF(6.3X32) DP6-TFLXX(6.3X32)	P.41 P.41 P.41 P.42
	DP4-TFH(5X20) DP4-TFHLXX(5X20)	P.42 P.42


Fuse Disconnect Terminal Blocks

	DP4N-TFU DP4N-TFULXX	P.43 P.43
	DP4N-TFU(5X20) DP4N-TFULXX(5X20)	P.44 P.44

Test Disconnect Terminal Blocks

	DPTD6N DPTL6N	P.45 P.45
---	------------------	--------------

Diode Terminal Blocks

	DPTD6N-D05 DPTD6N-D06	P.46 P.46
---	--------------------------	--------------


Spring Clamp Terminal Blocks




Feed-through Terminal Blocks

AK..		
	1.5 mm ²	P.49
	2.5 mm ²	P.49
	4 mm ²	P.49
	6 mm ²	P.50
	10 mm ²	P.50
	16 mm ²	P.50
	35 mm ²	P.50


Feed-through Grounding Terminal Blocks

AK..-PE		
	1.5 mm ²	P.55
	2.5 mm ²	P.55
	4 mm ²	P.55
	6 mm ²	P.56
	10 mm ²	P.56
	16 mm ²	P.56


Feed-through 3-Conductor Terminal Blocks

AK..-TN		
	1.5 mm ²	P.51
	2.5 mm ²	P.51
	4 mm ²	P.51
	6 mm ²	P.52
	10 mm ²	P.52
	16 mm ²	P.52


3-Conductor Grounding Terminal Blocks

AK..-TN-PE		
	1.5 mm ²	P.57
	2.5 mm ²	P.57
	4 mm ²	P.57
	6 mm ²	P.58
	10 mm ²	P.58


Feed-through 4-Conductor Terminal Blocks

AK..-TR		
	1.5 mm ²	P.53
	2.5 mm ²	P.53
	4 mm ²	P.53
	6 mm ²	P.54


4-Conductor Grounding Terminal Blocks

AK..-TR-PE		
	1.5 mm ²	P.59
	2.5 mm ²	P.59
	4 mm ²	P.59
	6 mm ²	P.60


Bi-Level Terminal Blocks

	AKK1.5	P.61
	AKK2.5	P.62
	AKK4	P.62
	AKK2.5-PV	P.62
	AKK2.5-PE	P.62


Bi-Level Diode Terminal Blocks


	AKK2.5-D01	P.63
	AKK2.5-D02	P.64
	AKK2.5-D03	P.64
	AKK2.5-D04	P.64


Knife and Disconnect Terminal Blocks


AK..-TP		
	2.5 mm ²	P.66
	4 mm ²	P.67


3-Conductor Knife and Disconnect Terminal Blocks

AK..-TN-TP		
	2.5 mm ²	P.68

AK..-TG		
	2.5 mm ²	P.66
	4 mm ²	P.67

AK..-TN-TG		
	2.5 mm ²	P.68


AK..-CP		
	2.5 mm ²	P.66
	4 mm ²	P.67


AK..-TN-CP		
	2.5 mm ²	P.68


Spring Clamp Terminal Blocks



4-Conductor Knife and Disconnect Terminal Blocks

AK..-TR-TP		
	2.5 mm ²	P.69

AK..-TR-TG		
	2.5 mm ²	P.69

AK..-TR-CP		
	2.5 mm ²	P.69

Fuse Disconnect Terminal Blocks

	AK4-TF(5X20) AK4-TFL(5X20)	P.70 P.70
---	-------------------------------	--------------


Screw Connection Terminal Blocks





Feed-through Terminal Blocks


DK..N		
	2.5 mm ²	P.73
	4 mm ²	P.73
	6 mm ²	P.73
	10 mm ²	P.74
	16 mm ²	P.74
	35 mm ²	P.74

Feed-through Grounding Terminal Blocks


DK..N-PE		
	2.5 mm ²	P.79
	4 mm ²	P.79
	6 mm ²	P.79
	10 mm ²	P.80
	16 mm ²	P.80

DK..H		
	16 mm ²	P.75
	35 mm ²	P.75


DK..-PE		
	2.5 mm ²	P.83
	4 mm ²	P.83
	10 mm ²	P.83
	16 mm ²	P.84
	35 mm ²	P.84
	50 mm ²	P.84
	95 mm ²	P.84

DK..		
	50 mm ²	P.76
	95 mm ²	P.76
	150 mm ²	P.76
	240 mm ²	P.76


Feed-through 3-Conductor Terminal Blocks

DK..N-TN		
	2.5 mm ²	P.77
	4 mm ²	P.77
	6 mm ²	P.77
	10 mm ²	P.78


Feed-through 3-Conductor Grounding Terminal Blocks

DK..N-TN-PE		
	2.5 mm ²	P.81
	4 mm ²	P.81

Feed-through 4-Conductor Terminal Blocks

DK..N-TR		
	2.5 mm ²	P.78
	4 mm ²	P.78



Feed-through 4-Conductor Grounding Terminal Blocks

DK..N-TR-PE		
	2.5 mm ²	P.82
	4 mm ²	P.82



Screw Connection Terminal Blocks



Bi-Level Terminal Blocks

DKK..N		
	2.5 mm ² 4 mm ²	P.85 P.86
DKK..N-PV		
	2.5 mm ² 4 mm ²	P.86 P.86

Bi-Level Grounding Terminal Blocks

DKK..N-L2PE		
	2.5 mm ² 4 mm ²	P.87 P.87
DKK..N-PE		
	2.5 mm ² 4 mm ²	P.87 P.88

Bi-Level Diode Terminal Blocks

	DKK2.5N-D01 DKK2.5N-D02 DKK2.5N-D03 DKK2.5N-D04	P.89 P.90 P.90 P.90
---	--	------------------------------




Sensor / Actuator Terminal Blocks

	DK1.5SG DK1.5SGF DK1.5SGF-PE	P.92 P.92 P.92
---	------------------------------------	----------------------




Plug-in Connection Terminal Blocks

	DKES1.5 DKES1.5-XXP DKES1.5M-XXP	P.93 P.93 P.93
---	--	----------------------

Knife and Disconnect Terminal Blocks

DK..N-TP		
	2.5 mm ² 4 mm ²	P.95 P.96
DK..N-TG		
	2.5 mm ² 4 mm ²	P.95 P.96
DK..N-CP		
	2.5 mm ² 4 mm ²	P.95 P.96


Bi-Level Knife and Disconnect Terminal Blocks

DKK..N-TP		
	2.5 mm ² 4 mm ²	P.97 P.98
DKK..N-TG		
	2.5 mm ² 4 mm ²	P.97 P.98
DKK..N-CP		
	2.5 mm ² 4 mm ²	P.97 P.98


Lever-Type Fuse Disconnect Terminal Blocks

	DK4N-TF(5X20) DK4N-TFLXX(5X20) DKK4-TF(5X20)	P.99 P.99 P.99
---	--	----------------------


Fuse Disconnect Terminal Blocks

	DK10-TF(5X20) DK10-TFA(5X20)	P.100 P.100
---	---------------------------------	----------------

Test Disconnect Terminal Blocks

	DKTD6N	P.101
---	--------	-------


Miniature Feed-through Terminal Blocks

DK..S		
	2.5 mm ² 4 mm ² 6 mm ²	P.102 P.102 P.102


Stud Terminal Blocks




Bolt Connection Terminal Blocks (1500V)

DKM..		
	25 mm ² 35 mm ² 50 mm ² 70 mm ² 95 mm ² 120 mm ² 150 mm ² 185 mm ² 240 mm ²	P.105 P.105 P.105 P.106 P.106 P.106 P.107 P.107 P.107

Quick Wiring Terminal Blocks (1500V)

DKM..-U		
	25 mm ² 35 mm ² 50 mm ² 70 mm ² 95 mm ² 120 mm ² 150 mm ² 185 mm ² 240 mm ²	P.109 P.109 P.109 P.110 P.110 P.110 P.111 P.111 P.111



Single-Bolt Connection Terminal Blocks (1000V)

DKM..		
	5 (16 mm ²) 6 (35 mm ²) 8 (50 mm ²) 10 (120 mm ²) 12 (120 mm ²)	P.112 P.112 P.112 P.113 P.113

Barrier Connection Terminal Blocks



Quick Wiring Terminal Blocks

DKU..		
	15 (1.5 mm ²) 20 (2.5 mm ²) 30 (4 mm ²) 40 (6 mm ²) 60 (16 mm ²)	P.117 P.117 P.118 P.118 P.118
DKUU..		
	20 (2.5 mm ²)	P.117

Screw Connection Terminal Blocks

DKB..N		
	15 (1.5 mm ²) 20 (2.5 mm ²) 30 (4 mm ²) 40 (6 mm ²) 60 (16 mm ²)	P.119 P.119 P.120 P.120 P.120
DKB		
	80 (25 mm ²) 100 (50 mm ²) 150 (70 mm ²) 200 (95 mm ²) 300 (240 mm ²) 500 (300 mm ²)	P.121 P.121 P.121 P.122 P.122 P.122
DKBB..		
	10 (2.5 mm ²)	P.119

Busbar Clamps

Busbar Clamps



DKZ..	6 mm ² 16 mm ² 35 mm ² 70 mm ² 120 mm ²	P.124 P.124 P.124 P.124~P.125 P.125
-------	--	---

Busbar Holders



DSH..	DSH1 DSH2 DSHG	P.125 P.125 P.125
-------	----------------------	-------------------------

Wire-to-Wire Connectors


Push-in Design Connectors

	0126-11XX	P.128
	0229-M5XXY 0161-12XXQK01	P.129 P.129

Screw Design Connectors

	ECSH381VM-XXPQK01	P.130
	ECSH116VM-XXPQK01	P.130
	2ESDHM-XXPQK01	P.130
	3ESDHM-XXPQK01	P.130

DIN Rail Connectors

	2EHDRD 2EHDRDM	P.131 P.131
---	-------------------	----------------

Panel Installation Terminal Blocks

Quick Wring Terminal Blocks

DKUP..-XXPK	15 (1.5 mm ²) 20 (2.5 mm ²) 30 (4 mm ²) 40 (6 mm ²) 60 (16 mm ²)	P.135 P.135 P.136 P.136 P.136
DKUUP..-XXPK	20 (2.5 mm ²)	P.135

Screw Connection Terminal Blocks

DKB..N-XXPCK	15 (1.5 mm ²) 20 (2.5 mm ²) 30 (4 mm ²) 40 (6 mm ²) 60 (16 mm ²)	P.137 P.137 P.138 P.138 P.138
DKB..-XXPCK	80 (25 mm ²) 100 (50 mm ²) 150 (70 mm ²) 200 (95 mm ²) 300 (240 mm ²) 500 (300 mm ²)	P.139 P.139 P.139 P.140 P.140 P.140
DKBB..-XXPCK	10 (2.5 mm ²)	P.137

Spring Connection Panel Type Terminal Blocks

Feed-through Single Wire Connection

PM..WN-XXP	2.5 mm ²	P.143
PM..WS-XXP	2.5 mm ²	P.144
PM..WSA-XXP	2.5 mm ²	P.144

Feed-through Double Wire Connection

PMM..WN-XXP	2.5 mm ²	P.143
PMM..WS-XXP	2.5 mm ²	P.144
PMM..WSA-XXP	2.5 mm ²	P.144

Screw Connection Panel Type Terminal Blocks

Feed-through Terminal Blocks

PM..N-XXP	2.5 mm ² 4 mm ² 6 mm ² 10 mm ²	P.145 P.145 P.145 P.146
-----------	---	----------------------------------

Feed-through High-Voltage Terminal Blocks

PM..H-XXP	6 mm ² 16 mm ²	P.146 P.146
-----------	---	----------------

Accessories

End Bracket	P.148		
Marking Block	P.149		
Separating Disk	P.149		
Partition Plate	P.150		
Reducing Bridge	P.151		
Screw-on Bridge	P.152		
Cross Connection System	P.152~P.153		
Insertion Bridge	P.153~P.154		
Fuse	P.155		
DIN Rail Cap	P.155		
DIN Rail & DIN Rail Cutter	P.156		
Marking System	P.157~P.163		
Hands Tools	P.166		
Ferrules	P.167~P.168		

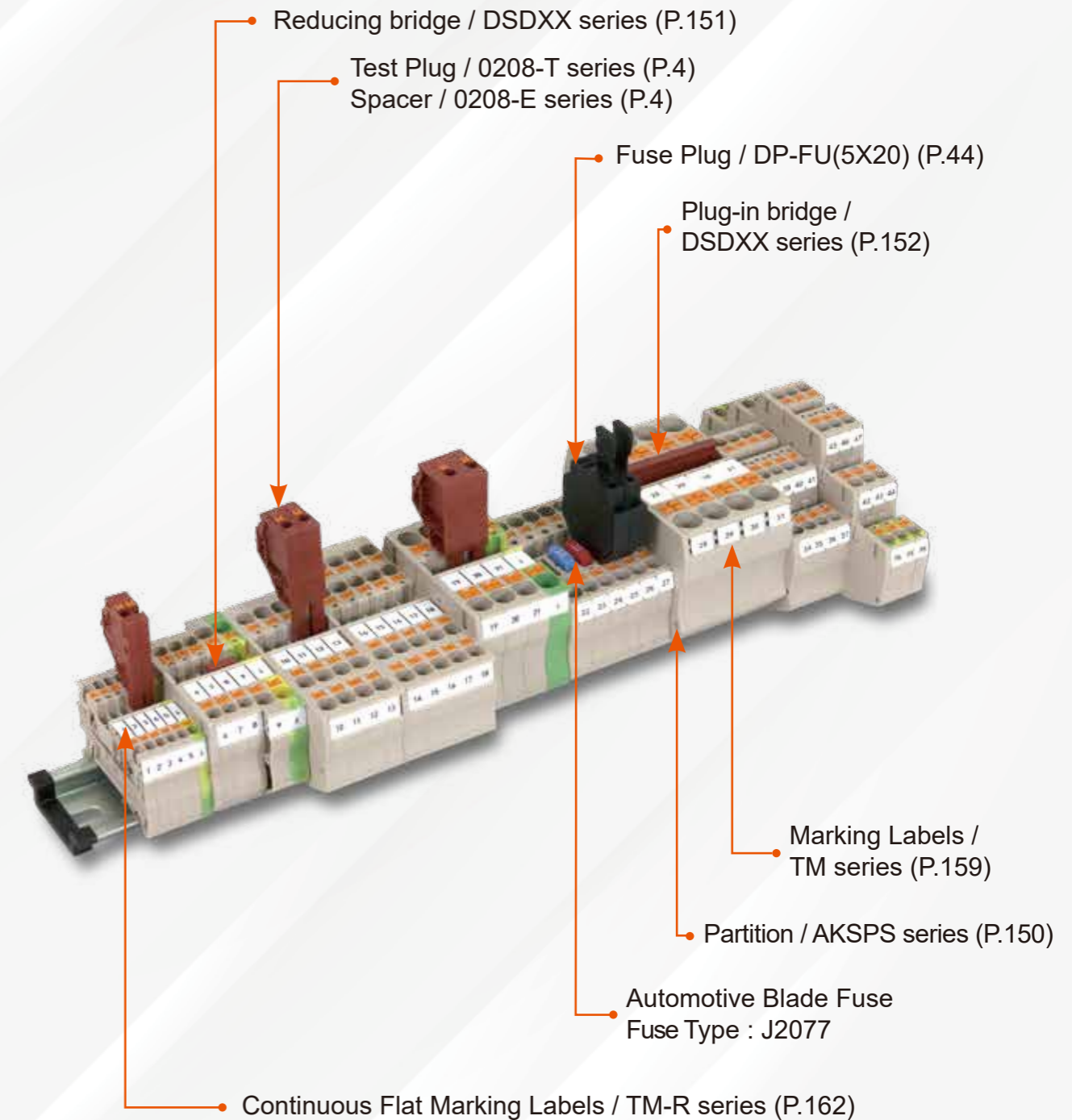
Dinkle remains the right of product modification and engineering change of design. The catalogue is for reference only. The final product is made according to actual engineering drawing.

弊社標準品に関しては、修正や設計変更等が行われるため、カタログは参考であり、詳細仕様は図面を基準とする。本公司对产品保有修改、设变权，目录仅供参考，实际产品仍需依照工程图面为准。

Push-In Design Terminal



- Push-In Design (PID) is a very popular wiring mechanism. This is accomplished with S-cage, a design that combines the concept of spring and wire cage for an efficient and reliable connection.
- The main characteristic of PID can be inserted by solid wires and stranded wires with ferrules easily without tools. The spring offers a high clamping force on the conductor, which provides a stable conductivity through every wired component.
- PID terminal blocks have the same reliable connection like the conventional screw type, but with a more efficient installation method, that results in time and labor cost saving during field wiring.
- Dinkle's PID product series is definitely worthy of your trust and application.



Feed-through Terminal Blocks



PID

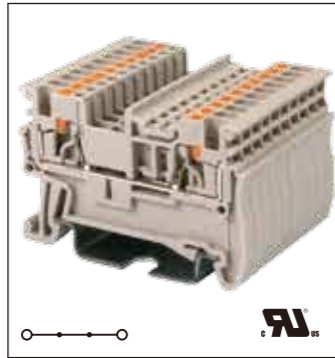


PID series is suitable for applications with limited space. PID structure allows quick wire connection without tools. Solid wires and stranded wires with ferrules can be inserted directly, providing convenient wiring solution and saving labor time.

DP..

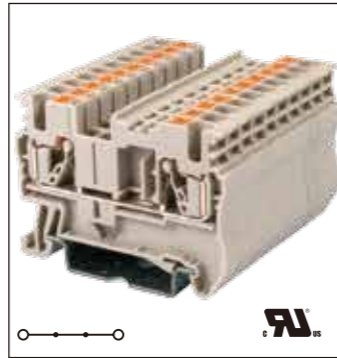
Accessories

- End cover
- Partition plate
- Plug-in bridge
 - 2
 - 3
 - 4
 - 5
 - 10
 - 20
- Reducing bridge
- Test plug
- Spacer
- Marking block
- Marking label (Center / Outer)
- Continuous flat marking label (Center / Outer)
- DIN rail
- Tool (mm)
- Ferrule



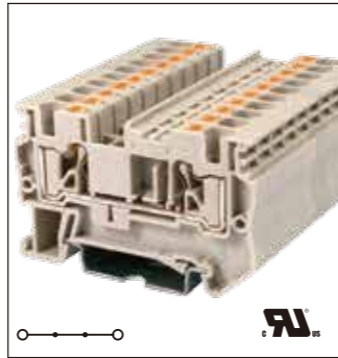
DP1.5N		
Rated Data	UL	IEC
Rated Voltage (V)	300	500
Rated Current (A)	15	17.5
Rated impulse voltage	6KV	
Wire range (AWG/mm ²)	26~14	0.14~1.5
Connection Capacity		
Max. Solid (mm ²)	1.5	
Max. Stranded (mm ²)	1.5	
General Data		
Stripping length (mm)	8	
Insulation material	PA	
T / W (mm)	3.5 / 46.6	
H / H on TS-35 (mm)	30.6 / 32.1	
Package	100	

Color	Part number	Package
■	DP1.5N-RD	100
■	DP1.5N-BL	100
■	DP1.5N-WPE	100
Part number	Package	
DP1.5C	50	
AKSPS-001	50	
DSD03-1.502	50	
DSD03-1.503	50	
DSD03-1.504	50	
DSD03-1.505	10	
DSD03-1.510	10	
DSD03-1.520	10	
DSD03-1.5/2.5	50	
DSD03-1.5/4	50	
DSD03-2.5/6	50	
DSD03-2.5/10	50	
DSD03-2.5/16	50	
0208-T004		
0208-E004		
MKG-001 / MKG-002	200	
TM46W / TM41W	10	
TM-R200 / TM-R100	10	
TS-35	20	
TS-35/15	10	
0.4 x 2.5 DNT11-0102		
Page 167~168		



DP2.5N		
Rated Data	UL	IEC
Rated Voltage (V)	600	800
Rated Current (A)	20	24
Rated impulse voltage	8KV	
Wire range (AWG/mm ²)	26~12	0.14~2.5
Connection Capacity		
Max. Solid (mm ²)	4	
Max. Stranded (mm ²)	2.5	
General Data		
Stripping length (mm)	10	
Insulation material	PA	
T / W (mm)	5.1 / 49	
H / H on TS-35 (mm)	35 / 36.5	
Package	100	

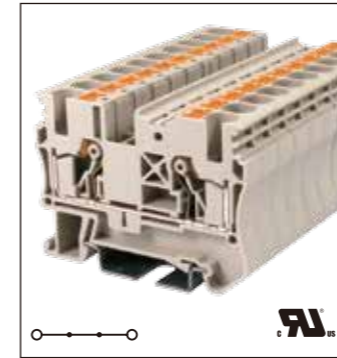
Color	Part number	Package
■	DP2.5N-RD	100
■	DP2.5N-BL	100
■	DP2.5N-WPE	100
Part number	Package	
DP2.5C	50	
DP2.5CA	50	
AKSPS-001	50	
DSD01-2.502N	50	
DSD01-2.503N	50	
DSD01-2.504N	50	
DSD01-2.505N	10	
DSD01-2.510N	10	
DSD01-2.520N	10	
DSD03-1.5/2.5	50	
DSD03-2.5/4	50	
DSD03-2.5/6	50	
DSD03-2.5/10	50	
DSD03-2.5/16	50	
0208-T001		
0208-E001		
MKG-003 / MKG-004	200	
TM47W / TM42W	10	
TM-R200 / TM-R100	10	
TS-35	20	
TS-35/15	10	
0.6 x 3.5 DNT11-0107		
Page 167~168		



DP4N		
Rated Data	UL	IEC
Rated Voltage (V)	600	800
Rated Current (A)	30	32
Rated impulse voltage	8KV	
Wire range (AWG/mm ²)	24~10	0.2~4
Connection Capacity		
Max. Solid (mm ²)	6	
Max. Stranded (mm ²)	4	
General Data		
Stripping length (mm)	12	
Insulation material	PA	
T / W (mm)	6.1 / 57	
H / H on TS-35 (mm)	35 / 36.5	
Package	100	

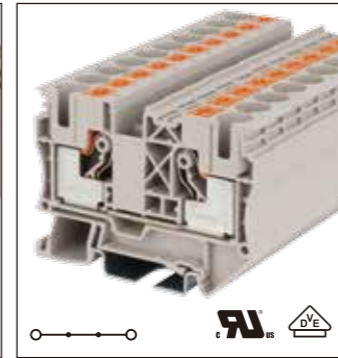
Color	Part number	Package
■	DP4N-RD	100
■	DP4N-BL	100
■	DP4N-WPE	100
Part number	Package	
DP4C	50	
DP4CA	50	
AKSPS-001	50	
DSD01-402N	50	
DSD01-403N	50	
DSD01-404N	50	
DSD01-405N	10	
DSD01-410N	10	
DSD01-420N	10	
DSD03-1.5/4	50	
DSD03-2.5/4	50	
DSD03-4/6	50	
DSD03-4/10	50	
DSD03-4/16	50	
0208-T002		
0208-E002		
MKG-003 / MKG-004	200	
TM48W / TM43W	10	
TM-R200 / TM-R100	10	
TS-35	20	
TS-35/15	10	
0.8 x 3.5 DNT11-0109		
Page 167~168		

Feed-through Terminal Blocks



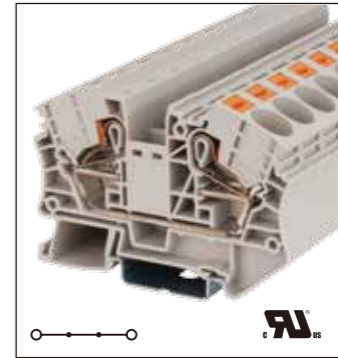
DP6N		
Rated Data	UL	IEC
Rated Voltage (V)	600	1000
Rated Current (A)	40	41
Rated impulse voltage	8KV	
Wire range (AWG/mm ²)	20~8	0.5~6
Connection Capacity		
Max. Solid (mm ²)	10	
Max. Stranded (mm ²)	6	
General Data		
Stripping length (mm)	12	
Insulation material	PA	
T / W (mm)	8 / 57.8	
H / H on TS-35 (mm)	42 / 43.5	
Package	50	

Color	Part number	Package
■	DP6N-RD	50
■	DP6N-BL	50
■	DP6N-WPE	50
Part number	Package	
DP6C	50	
DP6CA	50	
AKSPS-002	50	
DSD01-602N	50	
DSD01-603N	50	
DSD01-604N	50	
DSD01-605N	10	
DSD01-610N	10	
DSD01-610N	10	
DSD03-2.5/6	50	
DSD03-4/6	50	
DSD03-6/16	50	
0208-T003		
0208-E003		
TM49W / TM44W	10	
TM-R200 / TM-R100	10	
TS-35	20	
TS-35/15	10	
0.8 x 4 DNT11-0109		
Page 167~168		



DP10		
Rated Data	UL	IEC
Rated Voltage (V)	600	1000
Rated Current (A)	60	57
Rated impulse voltage	8KV	
Wire range (AWG/mm ²)	20~6	0.5~10
Connection Capacity		
Max. Solid (mm ²)	16	
Max. Stranded (mm ²)	10	
General Data		
Stripping length (mm)	18	
Insulation material	PA	
T / W (mm)	10 / 69	
H / H on TS-35 (mm)	49.3 / 50.1	
Package	50	

Color	Part number	Package
■	DP10-RD	50
■	DP10-BL	50
■	DP10-WPE	50
Part number	Package	
DP10C	50	
DP10CA	50	
DSD01-1002N	50	
DSD01-1003N	50	
DSD01-1004N	50	
DSD01-1005N	10	
DSD01-1010N	10	
DSD03-2.5/10	50	
DSD03-4/10	50	
0208-T004		
0208-E004		
TM50W / TM45W	10	
TM-R200 / TM-R100	10	
TS-35	20	
TS-35/15	10	
1.0 x 5.5 DNT11-0111		
Page 167~168		



DP16		
Rated Data	UL	IEC
Rated Voltage (V)	600	1000
Rated Current (A)	82	76
Rated impulse voltage	8KV	
Wire range (AWG/mm ²)	20~4	0.5~16
Connection Capacity		
Max. Solid (mm ²)	25	
Max. Stranded (mm ²)	16	
General Data		
Stripping length (mm)	18	
Insulation material	PA	
T / W (mm)	12 / 76.5	
H / H on TS-35 (mm)	53.1 / 54.3	
Package	50	

Color	Part number	Package
■	DP16-RD	50
■	DP16-BL	50
Part number	Package	
DP16C	50	
DP16CA	50	
DSD03-2.5/16	50	
DSD03-4/16	50	
DSD03-6/16	50	
0208-T004		
0208-E004		
TM50W / TM45W	10	
TM-R200 / TM-R100	10	
TS-35	20	
TS-35/15	10	
1.0 x 5.5 DNT11-0111		
Page 167~168		

Test Plug

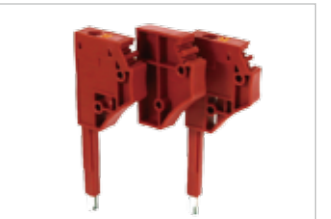


Part Number	Package
0208-T001	50
0208-T002	50
0208-T003	50
0208-T004	50

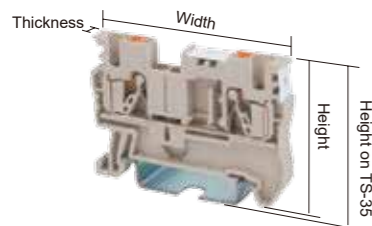
Spacer



Part Number	Package
0208-E001	50
0208-E002	50
0208-E003	50
0208-E004	50



The test plug can be extended by spacer with probe diameter at 2.3mm which can contact the terminal block tightly and achieve any complicate test tasks.



Feed-through Grounding Terminal Blocks



PID



The PID, DP..N-PE series allows solid conductor direct insertion without tool for quick connection.

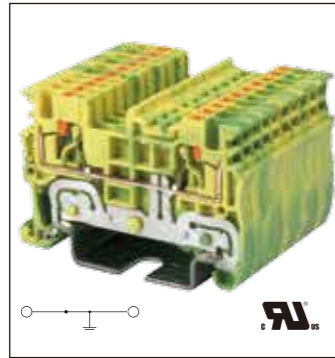
High quality conducting material for low connection resistance and high conducting performance.

Suitable for wire sizes from 1.5mm² to 16mm² the accessories are available for marking and bridging.

DP..-PE

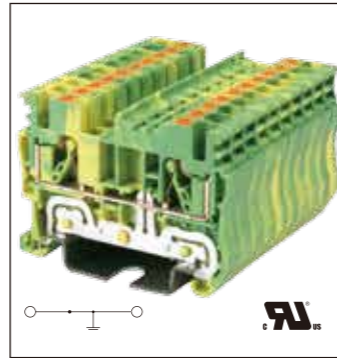
Accessories

- End cover
- Partition plate
- Plug-in bridge
 - 2
 - 3
 - 4
 - 5
 - 10
 - 20
- Test plug
- Spacer
- Marking block
- Marking label (Center / Outer)
- Continuous flat marking label (Center / Outer)
- DIN rail
- Tool (mm)
- Ferrule



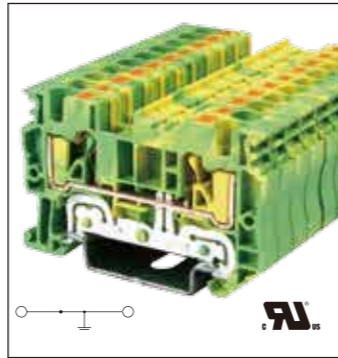
DP1.5N-PE		
Rated Data	UL	IEC
Rated Voltage (V)	300	500
Rated Current (A)		
Rated impulse voltage	6KV	
Wire range (AWG/mm ²)	26~14	0.14~1.5
Connection Capacity		
Max. Solid (mm ²)	1.5	
Max. Stranded (mm ²)	1.5	
General Data		
Stripping length (mm)	8	
Insulation material	PA	
T / W (mm)	3.5 / 47.2	
H / H on TS-35 (mm)	30.6 / 32	
Package	100	

Part number	Package
DP1.5C-YG	50
AKSPS-001	50
DSD03-1.502	50
DSD03-1.503	50
DSD03-1.504	50
DSD03-1.505	10
DSD03-1.510	10
DSD03-1.520	10
0208-T004	
0208-E004	
MKG-001 / MKG-002	200
TM46W / TM41W	10
TM-R200 / TM-R100	10
TS-35	20
TS-35/15	10
0.4 x 2.5 DNT11-0102	
Page 167~168	



DP2.5N-PE		
Rated Data	UL	IEC
Rated Voltage (V)	600	800
Rated Current (A)		
Rated impulse voltage	8KV	
Wire range (AWG/mm ²)	26~12	0.14~2.5
Connection Capacity		
Max. Solid (mm ²)	4	
Max. Stranded (mm ²)	2.5	
General Data		
Stripping length (mm)	10	
Insulation material	PA	
T / W (mm)	5.1 / 49	
H / H on TS-35 (mm)	35 / 36.5	
Package	100	

Part number	Package
DP2.5C-YG	50
AKSPS-001	50
DSD01-2.502N	50
DSD01-2.503N	50
DSD01-2.504N	50
DSD01-2.505N	10
DSD01-2.510N	10
DSD01-2.520N	10
0208-T001	
0208-E001	
MKG-003 / MKG-004	200
TM47W / TM42W	10
TM-R200 / TM-R100	10
TS-35	20
TS-35/15	10
0.6 x 3.5 DNT11-0107	
Page 167~168	



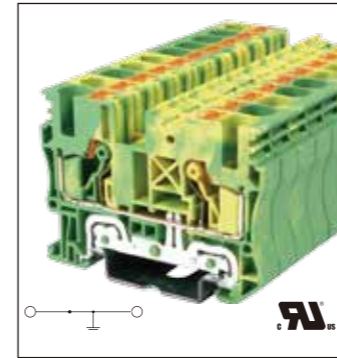
DP4N-PE		
Rated Data	UL	IEC
Rated Voltage (V)	600	800
Rated Current (A)		
Rated impulse voltage	8KV	
Wire range (AWG/mm ²)	24~10	0.2~4
Connection Capacity		
Max. Solid (mm ²)	6	
Max. Stranded (mm ²)	4	
General Data		
Stripping length (mm)	12	
Insulation material	PA	
T / W (mm)	6.1 / 57	
H / H on TS-35 (mm)	35 / 36.5	
Package	100	

Part number	Package
DP4C-YG	50
AKSPS-001	50
DSD01-402N	50
DSD01-403N	50
DSD01-404N	50
DSD01-405N	10
DSD01-410N	10
DSD01-420N	10
0208-T002	
0208-E002	
MKG-003 / MKG-004	200
TM48W / TM43W	10
TM-R200 / TM-R100	10
TS-35	20
TS-35/15	10
0.8 x 3.5 DNT11-0109	
Page 167~168	

Feed-through Grounding Terminal Blocks

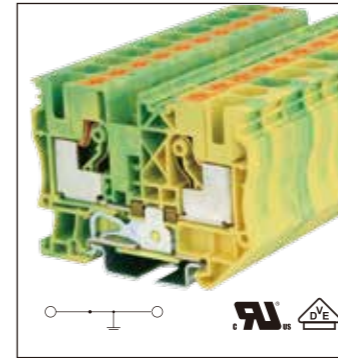


Push-In Design



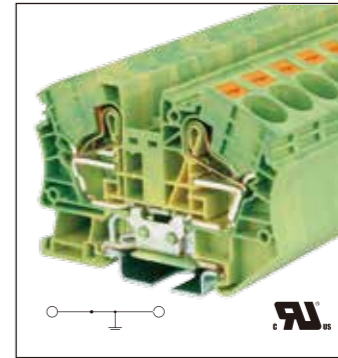
DP6N-PE		
Rated Data	UL	IEC
Rated Voltage (V)	600	1000
Rated Current (A)		
Rated impulse voltage	8KV	
Wire range (AWG/mm ²)	20~8	0.5~6
Connection Capacity		
Max. Solid (mm ²)	10	
Max. Stranded (mm ²)	6	
General Data		
Stripping length (mm)	12	
Insulation material	PA	
T / W (mm)	8 / 57.8	
H / H on TS-35 (mm)	42.0 / 43.5	
Package	50	

Part number	Package
DP6C-YG	50
AKSPS-002	50
DSD01-602N	50
DSD01-603N	50
DSD01-604N	50
DSD01-605N	10
DSD01-610N	10
0208-T003	
0208-E003	
TM49W / TM44W	10
TM-R200 / TM-R100	10
TS-35	20
TS-35/15	10
0.8 x 4 DNT11-0109	
Page 167~168	



DP10-PE		
Rated Data	UL	IEC
Rated Voltage (V)	600	1000
Rated Current (A)		
Rated impulse voltage	8KV	
Wire range (AWG/mm ²)	20~6	0.5~10
Connection Capacity		
Max. Solid (mm ²)	16	
Max. Stranded (mm ²)	10	
General Data		
Stripping length (mm)	18	
Insulation material	PA	
T / W (mm)	10 / 69	
H / H on TS-35 (mm)	49.3 / 50.1	
Package	50	

Part number	Package
DP10C-YG	50
DSD01-1002N	50
DSD01-1003N	50
DSD01-1004N	50
DSD01-1005N	10
DSD01-1010N	10
TM50W / TM45W	10
TM-R200 / TM-R100	10
TS-35	20
TS-35/15	10
1.0 x 5.5 DNT11-0111	
Page 167~168	



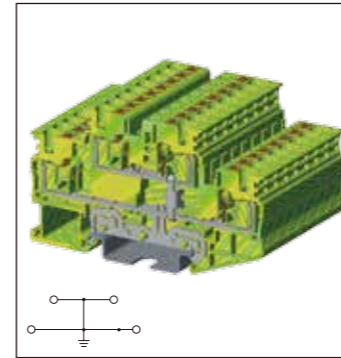
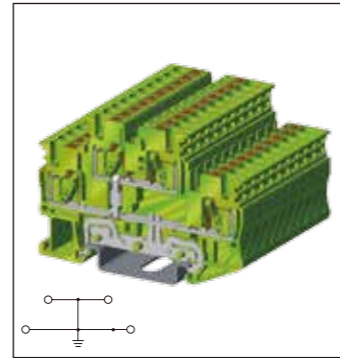
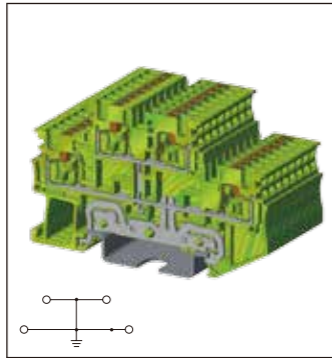
DP16-PE		
Rated Data	UL	IEC
Rated Voltage (V)	600	1000
Rated Current (A)		
Rated impulse voltage	8KV	
Wire range (AWG/mm ²)	20~4	0.5~16
Connection Capacity		
Max. Solid (mm ²)	25	
Max. Stranded (mm ²)	16	
General Data		
Stripping length (mm)	18	
Insulation material	PA	
T / W (mm)	12 / 76.5	
H / H on TS-35 (mm)	53.1 / 54.3	
Package	50	

Part number	Package
DP16C-YG	50
DSD01-1602N	50
DSD01-1603N	50
DSD01-1604N	50
DSD01-1605N	10
DSD01-1610N	10
TM50W / TM45W	10
TM-R200 / TM-R100	10
TS-35	20
TS-35/15	10
1.0 x 5.5 DNT11-0111	
Page 167~168	

Multi-Level Grounding Terminal Blocks



PID



DPP..N-PE is a double layer grounding terminal block with the same dimensions as the DPP..N series, and fully compliant to IEC 60947-7-2. This series supports both the mechanical and the electrical functions of a PCTB by using it as a ground (PE) busbar.

DPP..N-PE

Accessories

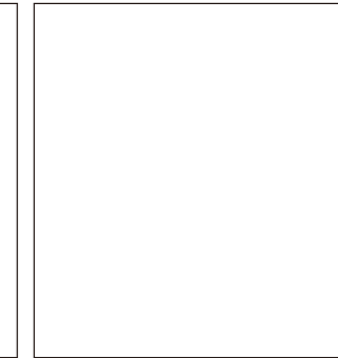
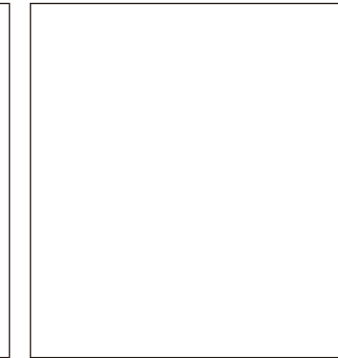
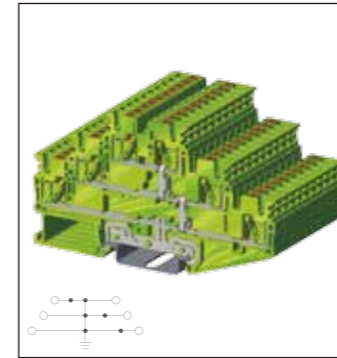
- End cover
- Plug-in bridge
 - 2
 - 3
 - 4
 - 5
 - 10
 - 20
- Test plug
- Spacer
- Marking label
- Continuous flat marking label
- DIN rail
- Tool (mm)
- Ferrule

DPP1.5N-PE		
Rated Data	UL	IEC
Rated Voltage (V)	300	500
Rated Current (A)		
Rated impulse voltage	6KV	
Wire range (AWG/mm ²)	26-14	0.14-1.5
Connection Capacity		
Max. Solid (mm ²)	1.5	
Max. Stranded (mm ²)	1.5	
General Data		
Stripping length (mm)	8	
Insulation material	PA	
T / W (mm)	3.5 / 69.2	
H / H on TS-35 (mm)	41.2 / 42.7	
Package	100	
Part number	Package	
DPP1.5C-YG	50	
DSD03-1.502	50	
DSD03-1.503	50	
DSD03-1.504	50	
DSD03-1.505	10	
DSD03-1.510	10	
DSD03-1.520	10	
0208-T004		
0208-E004		
TM41W	10	
TM-R100	10	
TS-35	20	
TS-35/15	10	
0.4 x 2.5 DNT11-0102		
Page 167-168		

DPP2.5N-PE		
Rated Data	UL	IEC
Rated Voltage (V)	300	500
Rated Current (A)		
Rated impulse voltage	6KV	
Wire range (AWG/mm ²)	26-12	0.14-2.5
Connection Capacity		
Max. Solid (mm ²)	4	
Max. Stranded (mm ²)	2.5	
General Data		
Stripping length (mm)	10	
Insulation material	PA	
T / W (mm)	5.1 / 69.2	
H / H on TS-35 (mm)	46 / 47.5	
Package	100	
Part number	Package	
DPP2.5C-YG	50	
DSD01-2.502N	50	
DSD01-2.503N	50	
DSD01-2.504N	50	
DSD01-2.505N	10	
DSD01-2.510N	10	
DSD01-2.520N	10	
0208-T001		
0208-E001		
TM42W	10	
TM-R100	10	
TS-35	20	
TS-35/15	10	
0.6 x 3.5 DNT11-0107		
Page 167-168		

DPP4N-PE		
Rated Data	UL	IEC
Rated Voltage (V)	300	500
Rated Current (A)		
Rated impulse voltage	6KV	
Wire range (AWG/mm ²)	24-10	0.2-4
Connection Capacity		
Max. Solid (mm ²)	6	
Max. Stranded (mm ²)	4	
General Data		
Stripping length (mm)	12	
Insulation material	PA	
T / W (mm)	6.1 / 81	
H / H on TS-35 (mm)	46.5 / 47.5	
Package	50	
Part number	Package	
DPP4C-YG	50	
DSD01-402N	50	
DSD01-403N	50	
DSD01-404N	50	
DSD01-405N	10	
DSD01-410N	10	
DSD01-420N	10	
0208-T002		
0208-E002		
TM43W	10	
TM-R100	10	
TS-35	20	
TS-35/15	10	
0.8 x 3.5 DNT11-0109		
Page 167-168		

Multi-Level Grounding Terminal Blocks



DP2.5N-3L-PE		
Rated Data	UL	IEC
Rated Voltage (V)	300	500
Rated Current (A)		
Rated impulse voltage	6KV	
Wire range (AWG/mm ²)	26-12	0.14-2
Connection Capacity		
Max. Solid (mm ²)	4	
Max. Stranded (mm ²)	2.5	
General Data		
Stripping length (mm)	10	
Insulation material	PA	
T / W (mm)	5.1 / 102.7	
H / H on TS-35 (mm)	57 / 58.5	
Package	100	
Part number	Package	
DP2.5C-3L-YG	50	
DSD01-2.502N	50	
DSD01-2.503N	50	
DSD01-2.504N	50	
DSD01-2.505N	10	
DSD01-2.510N	10	
DSD01-2.520N	10	
0208-T001		
0208-E001		
TM42W	10	
TM-R100	10	
TS-35	20	
TS-35/15	10	
0.6 x 3.5 DNT11-0107		
Page 167-168		

Empty Table		
Rated Data	UL	IEC
Rated Voltage (V)		
Rated Current (A)		
Rated impulse voltage		
Wire range (AWG/mm ²)		
Connection Capacity		
Max. Solid (mm ²)		
Max. Stranded (mm ²)		
General Data		
Stripping length (mm)		
Insulation material		
T / W (mm)		
H / H on TS-35 (mm)		
Package		
Part number	Package	

Empty Table		
Rated Data	UL	IEC
Rated Voltage (V)		
Rated Current (A)		
Rated impulse voltage		
Wire range (AWG/mm ²)		
Connection Capacity		
Max. Solid (mm ²)		
Max. Stranded (mm ²)		
General Data		
Stripping length (mm)		
Insulation material		
T / W (mm)		
H / H on TS-35 (mm)		
Package		
Part number	Package	

Empty Table		
Rated Data	UL	IEC
Rated Voltage (V)		
Rated Current (A)		
Rated impulse voltage		
Wire range (AWG/mm ²)		
Connection Capacity		
Max. Solid (mm ²)		
Max. Stranded (mm ²)		
General Data		
Stripping length (mm)		
Insulation material		
T / W (mm)		
H / H on TS-35 (mm)		
Package		
Part number	Package	

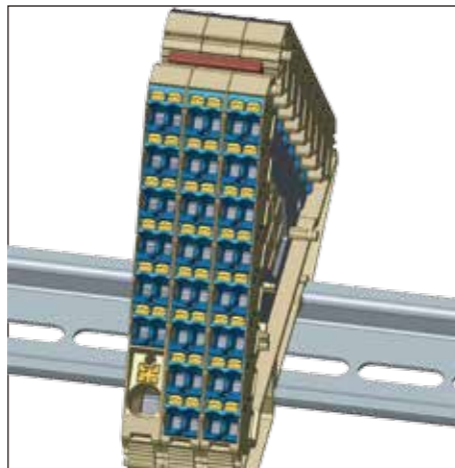
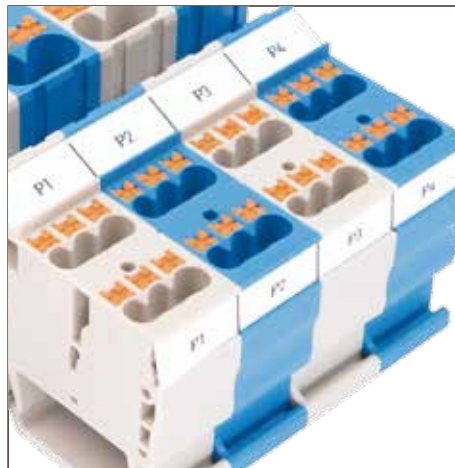
Push-In Design

Potential distribution Terminal Blocks Introduction

DKD and DPD series provide multi-point potential distribution, which can be used in power cord management and configuration.

The input terminal of DKD series adopts screw-type wiring structure. The screw connection structure is vibration-resistant, anti-loosening, and features of a large contact area, which is more stable in power transmission. The output terminal adopts PID structure, which can be wired by solid wire or ferruled wire directly without tools. PID connection structure can quickly connect wires and greatly reduce the wiring time.

Both input and output terminals of DPD series are PID structure, which makes DPD series be wired easily and operated conveniently. The DPD6 of this series features of a high-density multi-layer design, which can be used in limited spaces.



The input terminals of DKD35, DPD10 and DPD16 series provide current from 60A to 120A, which output terminals provides 4 to 12 connection points to meet the needs of various potential distributions. In addition, these series offer in different colors to distinguish the application.

The connection number is originally 28 points, which can be expanded to more than 80 points by using the insertion bridges. In addition, red and blue terminal blocks are available to intuitively identify the positive and negative electricity and reduce the errors of manual wiring.

Both DKD & DPD series are able to be equipped with continuous flat marking labels in different colors which are easy to install and make the terminal block clear and identifiable. The marking system makes terminal blocks easier to identify and install, save the operation time when wiring.

Potential distribution Terminal Blocks

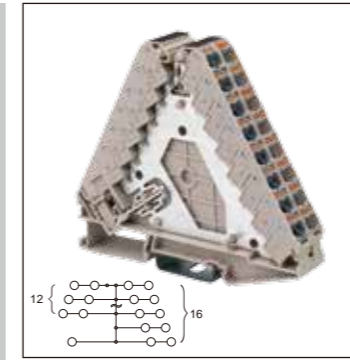


The DPD6-P series are designed for multi-potential distribution. The products support 28 contact points enables a space-saving potential distribution. Equipotential can be established by jumper bars.

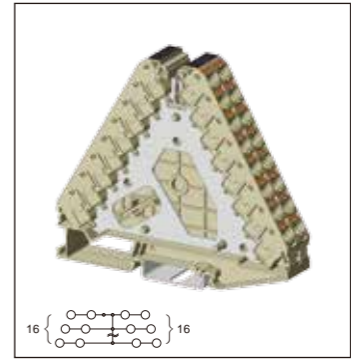
DPD..-P..

Accessories

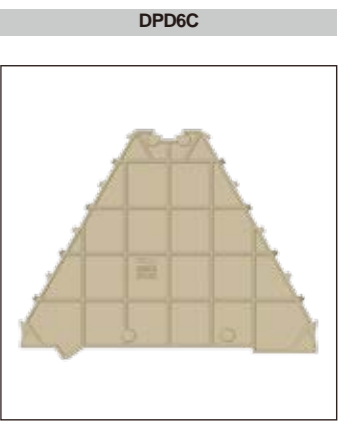
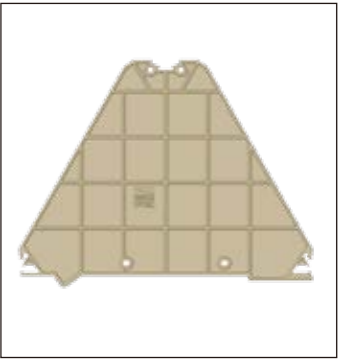
End cover	
Plug-in bridge	
Continuous flat marking label	
DIN rail	
Tool (mm)	
Ferrule	



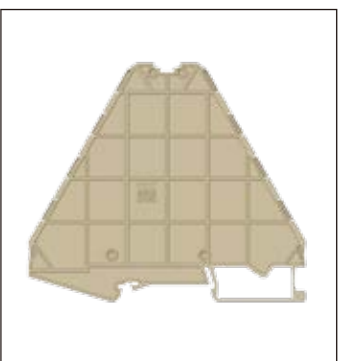
DPD6-P001		
Input Rated Data	UL	IEC
Rated Voltage (V)	300	250
Rated Current (A)	25	32
Rated impulse voltage	4KV	
Wire range (AWG/mm ²)	24~10	0.2~6
Stripping length (mm)	14~15	
Output Rated Data		
Rated Voltage (V)	300	250
Rated Current (A)	15	17.5
Rated impulse voltage	4KV	
Wire range (AWG/mm ²)	26~14	0.14~2.5
Stripping length (mm)	10~11	
General Data		
Insulation material	PA	
T / W (mm)	8.3 / 100	
H / H on TS-35 (mm)	86 / 87.5	
Package	50	



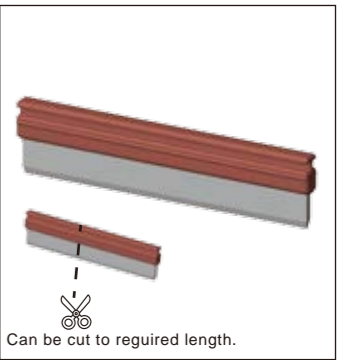
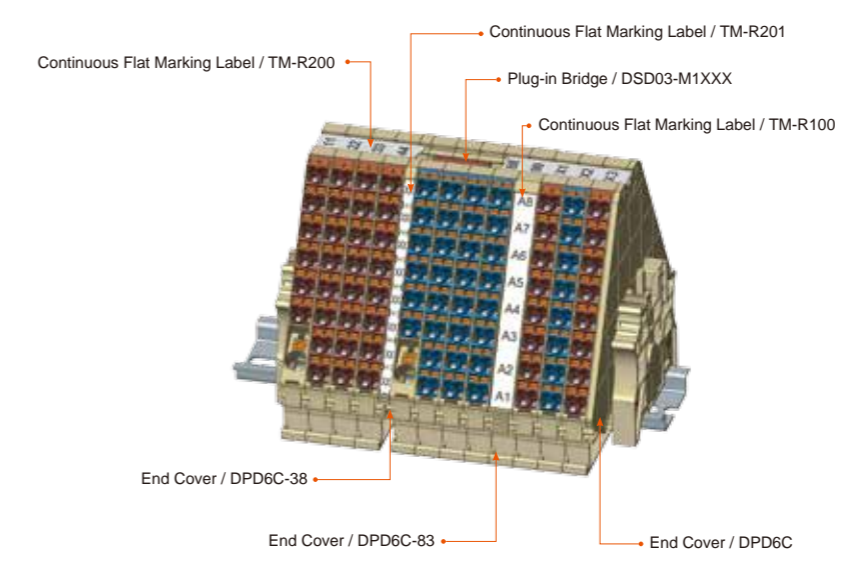
DPD6-P002		
Input Rated Data	UL	IEC
Rated Voltage (V)		
Rated Current (A)		
Rated impulse voltage		
Wire range (AWG/mm ²)		
Stripping length (mm)		
Output Rated Data		
Rated Voltage (V)	300	250
Rated Current (A)	15	17.5
Rated impulse voltage	4KV	
Wire range (AWG/mm ²)	26~14	0.14~2.5
Stripping length (mm)	10~11	
General Data		
Insulation material	PA	
T / W (mm)	8.3 / 100	
H / H on TS-35 (mm)	86 / 87.5	
Package	50	



DPD6C-38	
Continuous Flat Marking Label	TM-R201



DPD6C-83	
Continuous Flat Marking Label	TM-R100

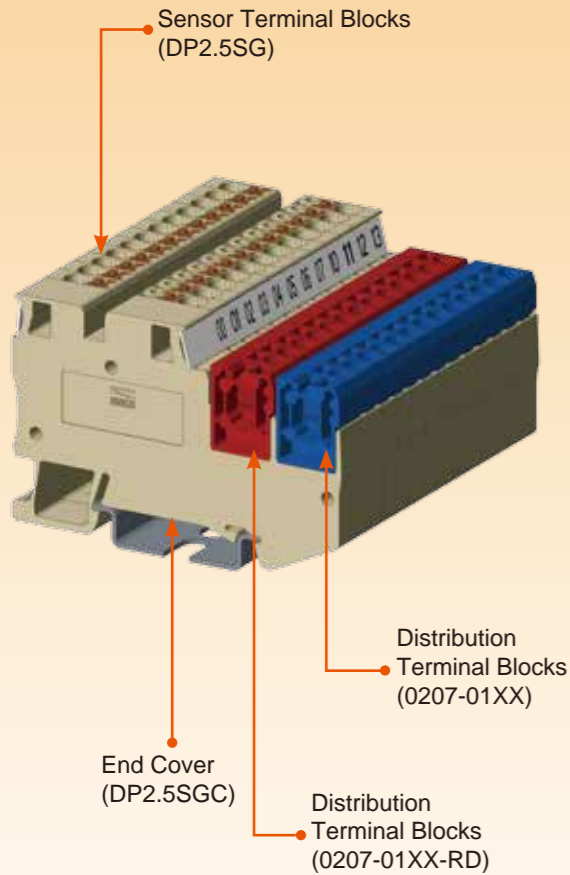


DSD03-M1XXX		
Length	Part Number	Package
50mm	DSD03-M1050	50
500mm	DSD03-M1500	10

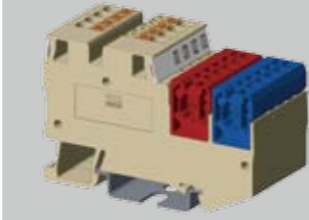
Sensor / Actuator Terminal Blocks



DP2.5SGQKXX Assembled Product Introduction



PID

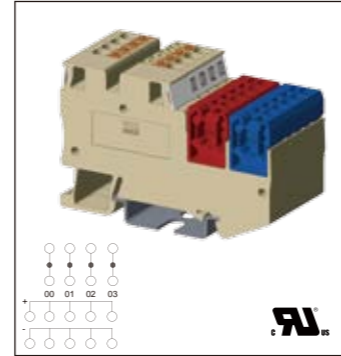


The PID, DP2.5-SG.. Supports 3&4 conductor sensor and actuator which are commonly applied in signal transmission. This product line are supplied in assembled pack.

DP2.5SG..

Accessories

End cover	
Plug-in bridge	
2	
3	
4	
5	
10	
20	
Test plug	
Spacer	
Marking label	
Continuous flat marking label	
DIN rail	
Tool (mm)	
Ferrule	



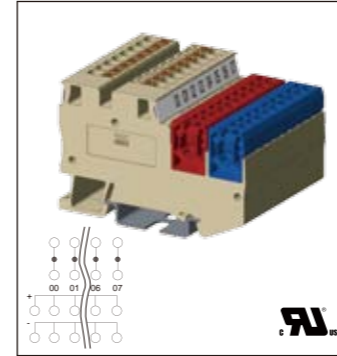
DP2.5SGQK01		
Signal Rated Data	UL	IEC
Rated Voltage (V)	600	800
Rated Current (A)	20	24
Rated impulse voltage	8KV	
Wire range (AWG/mm ²)	26-12	0.14-2.5
Distribution Rated Data		
Rated Voltage (V)	300	400
Rated Current (A)	10	17.5
Rated impulse voltage	8KV	
Wire range (AWG/mm ²)	26-14	0.5-2.5
Connection Capacity		
Max. Solid (mm ²)	4	
Max. Stranded (mm ²)	2.5	
General Data		
Stripping length (mm)	10	
Insulation material	PA	
T / W (mm)	30.5 / 69	
H / H on TS-35 (mm)	43.5 / 45	
Package	1	
Part number	Package	
DP2.5SGC	50	
DSD01-2.502N	50	
DSD01-2.503N	50	
DSD01-2.504N	50	
DSD01-2.505N	10	
DSD01-2.510N	10	
DSD01-2.520N	10	
0208-T001		
0208-E001		
TM42W	10	
TM-R100	10	
TS-35	20	
TS-35/15	10	
0.6 x 3.5 DNT11-0107		
Page 167-168		

Bill of Materials	
Part Number	Pcs
DP2.5SG	4
DP2.5SGC	1
0207-0105	1
0207-0105-RD	1
Marking Label	2

Sensor / Actuator Terminal Blocks

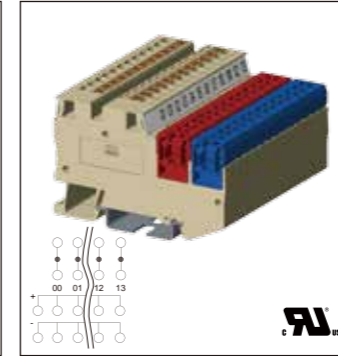


Push-In Design



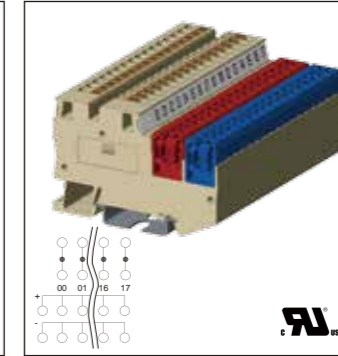
DP2.5SGQK02		
Signal Rated Data	UL	IEC
Rated Voltage (V)	600	800
Rated Current (A)	20	24
Rated impulse voltage	8KV	
Wire range (AWG/mm ²)	26-12	0.14-2.5
Distribution Rated Data		
Rated Voltage (V)	300	400
Rated Current (A)	10	17.5
Rated impulse voltage	8KV	
Wire range (AWG/mm ²)	26-14	0.5-2.5
Connection Capacity		
Max. Solid (mm ²)	4	
Max. Stranded (mm ²)	2.5	
General Data		
Stripping length (mm)	10	
Insulation material	PA	
T / W (mm)	50.8 / 69	
H / H on TS-35 (mm)	43.5 / 45	
Package	1	
Part number	Package	
DP2.5SGC	50	
DSD01-2.502N	50	
DSD01-2.503N	50	
DSD01-2.504N	50	
DSD01-2.505N	10	
DSD01-2.510N	10	
DSD01-2.520N	10	
0208-T001		
0208-E001		
TM42W	10	
TM-R100	10	
TS-35	20	
TS-35/15	10	
0.6 x 3.5 DNT11-0107		
Page 167-168		

Bill of Materials	
Part Number	Pcs
DP2.5SG	8
DP2.5SGC	1
0207-0109	1
0207-0109-RD	1
Marking Label	2



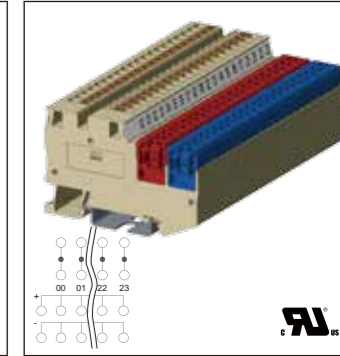
DP2.5SGQK03		
Signal Rated Data	UL	IEC
Rated Voltage (V)	600	800
Rated Current (A)	20	24
Rated impulse voltage	8KV	
Wire range (AWG/mm ²)	26-12	0.14-2.5
Distribution Rated Data		
Rated Voltage (V)	300	400
Rated Current (A)	10	17.5
Rated impulse voltage	8KV	
Wire range (AWG/mm ²)	26-14	0.5-2.5
Connection Capacity		
Max. Solid (mm ²)	4	
Max. Stranded (mm ²)	2.5	
General Data		
Stripping length (mm)	10	
Insulation material	PA	
T / W (mm)	71.1 / 69	
H / H on TS-35 (mm)	43.5 / 45	
Package	1	
Part number	Package	
DP2.5SGC	50	
DSD01-2.502N	50	
DSD01-2.503N	50	
DSD01-2.504N	50	
DSD01-2.505N	10	
DSD01-2.510N	10	
DSD01-2.520N	10	
0208-T001		
0208-E001		
TM42W	10	
TM-R100	10	
TS-35	20	
TS-35/15	10	
0.6 x 3.5 DNT11-0107		
Page 167-168		

Bill of Materials	
Part Number	Pcs
DP2.5SG	12
DP2.5SGC	1
0207-0113	1
0207-0113-RD	1
Marking Label	2



DP2.5SGQK04		
Signal Rated Data	UL	IEC
Rated Voltage (V)	600	800
Rated Current (A)	20	24
Rated impulse voltage	8KV	
Wire range (AWG/mm ²)	26-12	0.14-2.5
Distribution Rated Data		
Rated Voltage (V)	300	400
Rated Current (A)	10	17.5
Rated impulse voltage	8KV	
Wire range (AWG/mm ²)	26-14	0.5-2.5
Connection Capacity		
Max. Solid (mm ²)	4	
Max. Stranded (mm ²)	2.5	
General Data		
Stripping length (mm)	10	
Insulation material	PA	
T / W (mm)	91.4 / 69	
H / H on TS-35 (mm)	43.5 / 45	
Package	1	
Part number	Package	
DP2.5SGC	50	
DSD01-2.502N	50	
DSD01-2.503N	50	
DSD01-2.504N	50	
DSD01-2.505N	10	
DSD01-2.510N	10	
DSD01-2.520N	10	
0208-T001		
0208-E001		
TM42W	10	
TM-R100	10	
TS-35	20	
TS-35/15	10	
0.6 x 3.5 DNT11-0107		
Page 167-168		

Bill of Materials	
Part Number	Pcs
DP2.5SG	16
DP2.5SGC	1
0207-0117	1
0207-0117-RD	1
Marking Label	2



DP2.5SGQK05		
Signal Rated Data	UL	IEC
Rated Voltage (V)	600	800
Rated Current (A)	20	24
Rated impulse voltage	8KV	
Wire range (AWG/mm ²)	26-12	0.14-2.5
Distribution Rated Data		
Rated Voltage (V)	300	400
Rated Current (A)	10	17.5
Rated impulse voltage	8KV	
Wire range (AWG/mm ²)	26-14	0.5-2.5
Connection Capacity		
Max. Solid (mm ²)	4	
Max. Stranded (mm ²)	2.5	
General Data		
Stripping length (mm)	10	
Insulation material	PA	
T / W (mm)	111.8 / 69	
H / H on TS-35 (mm)	43.5 / 45	
Package	1	
Part number	Package	
DP2.5SGC	50	
DSD01-2.502N	50	
DSD01-2.503N	50	
DSD01-2.504N	50	
DSD01-2.505N	10	
DSD01-2.510N	10	
DSD01-2.520N	10	
0208-T001		
0208-E001		
TM42W	10	
TM-R100	10	
TS-35	20	
TS-35/15	10	
0.6 x 3.5 DNT11-0107		
Page 167-168		

Bill of Materials	
Part Number	Pcs
DP2.5SG	20
DP2.5SGC	1
0207-0121	1
0207-0121-RD	1
Marking Label	2



DP2.5-SG with sensor / actuator is able to satisfy the wiring requirements for signal transmission in the industry.

Sensor / Actuator Terminal Blocks



PID



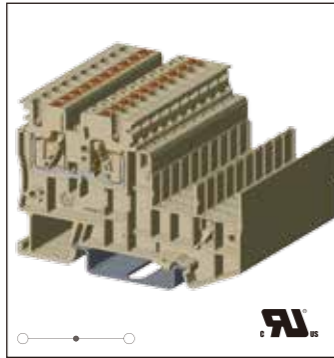
DP2.5SG is a sensor/actuator terminal block, and when mated with 0207-01xx connectors, it is a modular system of the distribution terminal block with integral cross-connection.

With the rapid growth of the automation industry, sensors for monitoring and measurements have become highly critical. Connecting DP2.5SG with sensor / actuator is able to satisfy the wiring requirements for signal transmission in the industry.

DP2.5SG

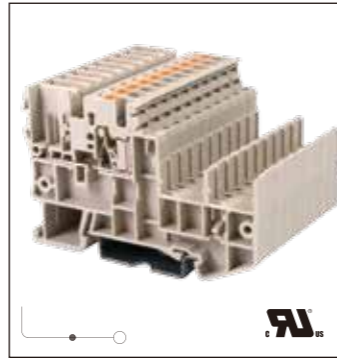
Accessories

- End cover
- Plug-in bridge
- 2
- 3
- 4
- 5
- 10
- 20
- Test plug
- Spacer
- Marking block
- Marking label
- Continuous flat marking label
- DIN rail
- Tool (mm)
- Ferrule



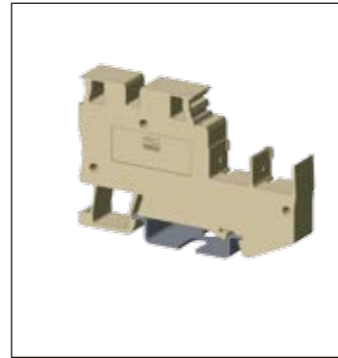
DP2.5SG		
Rated Data	UL	IEC
Rated Voltage (V)	600	800
Rated Current (A)	20	24
Rated impulse voltage	8KV	
Wire range (AWG/mm ²)	26-12	0.14-2.5
Connection Capacity		
Max. Solid (mm ²)	4	
Max. Stranded (mm ²)	2.5	
General Data		
Stripping length (mm)	10	
Insulation material	PA	
T / W (mm)	5.08 / 68.5	
H / H on TS-35 (mm)	43.5 / 45	
Package	100	

Part number	Package
DP2.5SGC	50
DP2.5SGC-PE	50
DSD01-2.502N	50
DSD01-2.503N	50
DSD01-2.504N	50
DSD01-2.505N	10
DSD01-2.510N	10
DSD01-2.520N	10
0208-T001	
0208-E001	
TM42W	10
TM-R100	10
TS-35	20
TS-35/15	10
0.6 x 3.5 DNT11-0107	
Page 167-168	



DP2.5SGT		
Rated Data	UL	IEC
Rated Voltage (V)	600	800
Rated Current (A)	20	24
Rated impulse voltage	8KV	
Wire range (AWG/mm ²)	26-12	0.14-2.5
Connection Capacity		
Max. Solid (mm ²)	4	
Max. Stranded (mm ²)	2.5	
General Data		
Stripping length (mm)	10	
Insulation material	PA	
T / W (mm)	5.08 / 68.5	
H / H on TS-35 (mm)	43.5 / 45	
Package	100	

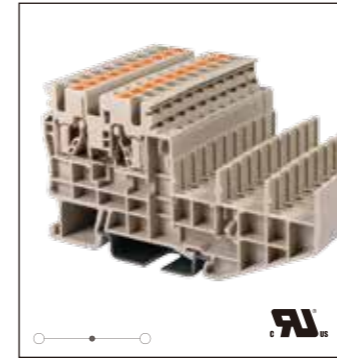
Part number	Package
DP2.5SGC	50
DP2.5SGC-PE	50
DSD01-2.502N	50
DSD01-2.503N	50
DSD01-2.504N	50
DSD01-2.505N	10
DSD01-2.510N	10
DSD01-2.520N	10
0208-T001	
0208-E001	
TM42W	10
TM-R100	10
TS-35	20
TS-35/15	10
0.6 x 3.5 DNT11-0107	
Page 167-168	



DP2.5SGC		
DP2.5SGC-PE		

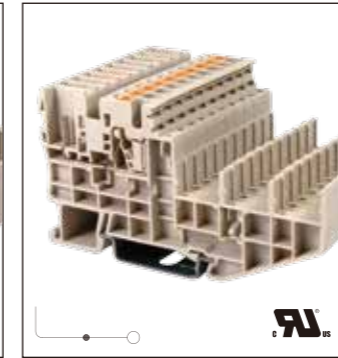
Part number	Package
DP2.5SGC	50
DP2.5SGC-PE	50
DSD01-2.502N	50
DSD01-2.503N	50
DSD01-2.504N	50
DSD01-2.505N	10
DSD01-2.510N	10
DSD01-2.520N	10
0208-T001	
0208-E001	
TM42W	10
TM-R100	10
TS-35	20
TS-35/15	10
0.6 x 3.5 DNT11-0107	
Page 167-168	

Sensor / Actuator Terminal Blocks



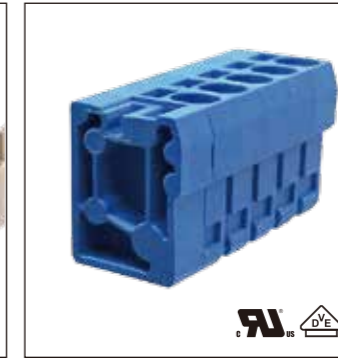
DP2.5SGR		
Rated Data	UL	IEC
Rated Voltage (V)	600	800
Rated Current (A)	20	24
Rated impulse voltage	8KV	
Wire range (AWG/mm ²)	26-12	0.14-2.5
Connection Capacity		
Max. Solid (mm ²)	4	
Max. Stranded (mm ²)	2.5	
General Data		
Stripping length (mm)	10	
Insulation material	PA	
T / W (mm)	5.08 / 82.1	
H / H on TS-35 (mm)	43.5 / 45	
Package	100	

Part number	Package
DP2.5SGRC-PE	50
DSD01-2.502N	50
DSD01-2.503N	50
DSD01-2.504N	50
DSD01-2.505N	10
DSD01-2.510N	10
DSD01-2.520N	10
0208-T001	
0208-E001	
TM42W	10
TM-R100	10
TS-35	20
TS-35/15	10
0.6 x 3.5 DNT11-0107	
Page 167-168	



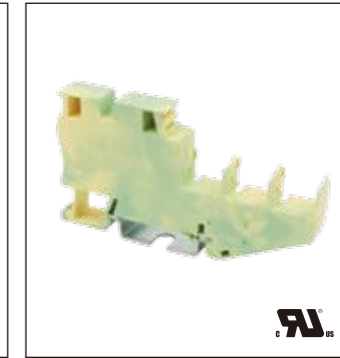
DP2.5SGRT		
Rated Data	UL	IEC
Rated Voltage (V)	600	800
Rated Current (A)	20	24
Rated impulse voltage	8KV	
Wire range (AWG/mm ²)	26-12	0.14-2.5
Connection Capacity		
Max. Solid (mm ²)	4	
Max. Stranded (mm ²)	2.5	
General Data		
Stripping length (mm)	10	
Insulation material	PA	
T / W (mm)	5.08 / 82.8	
H / H on TS-35 (mm)	43.5 / 45	
Package	100	

Part number	Package
DP2.5SGRC-PE	50
DSD01-2.502N	50
DSD01-2.503N	50
DSD01-2.504N	50
DSD01-2.505N	10
DSD01-2.510N	10
DSD01-2.520N	10
0208-T001	
0208-E001	
TM42W	10
TM-R100	10
TS-35	20
TS-35/15	10
0.6 x 3.5 DNT11-0107	
Page 167-168	



0207-01XX		
Rated Data	UL	IEC
Rated Voltage	300	400
Rated Current	10	17.5
Rated impulse voltage	4KV	
Wire range (AWG/mm ²)	26-14	0.5-2.5
Connection Capacity		
Max. Solid (mm ²)	4	
Max. Stranded (mm ²)	2.5	
General Data		
Stripping length (mm)	10	
Insulation material	PA	
T / W (mm)	5.08x(P-1)+10.16 / 13.1	
H / H on TS-35 (mm)	16.5 / -	
Package	100	

Color	Part number	Package
■	0207-01XX-RD	100
■	0207-01XX	100
■	0207-01XX-WPE	100
Part number		Package
	0207-0101	200
	0207-0105	50
	0207-0109	100
	0207-0111	100



DP2.5SGRC-PE		

Part number	Package
DP2.5SGRC-PE	50
DSD01-2.502N	50
DSD01-2.503N	50
DSD01-2.504N	50
DSD01-2.505N	10
DSD01-2.510N	10
DSD01-2.520N	10
0208-T001	
0208-E001	
TM42W	10
TM-R100	10
TS-35	20
TS-35/15	10
0.6 x 3.5 DNT11-0107	
Page 167-168	

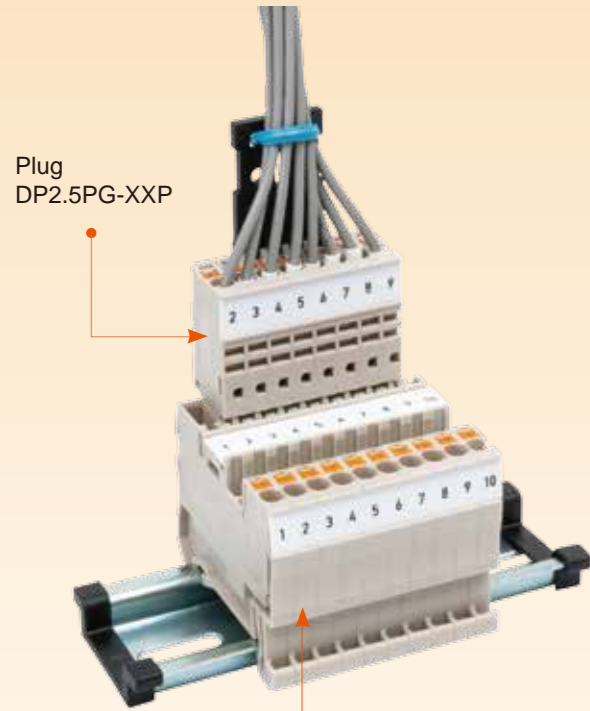
Push-In Design



Plug-in Connection Terminal Blocks

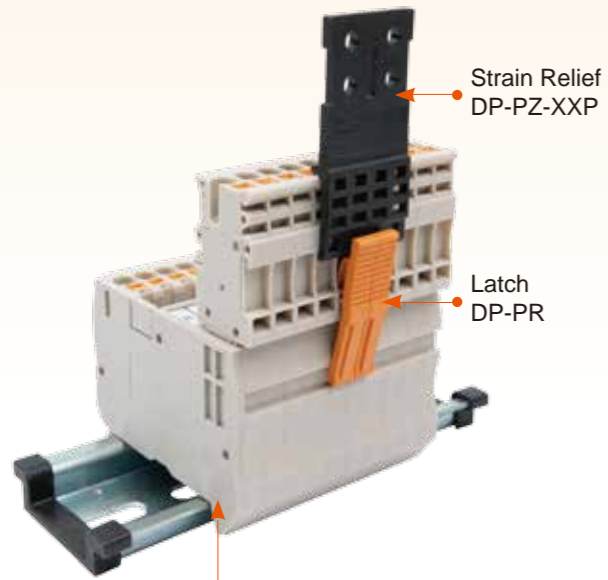


DPES2.5QKXX Assembled Product Introduction



Plug DP2.5PG-XXP

Terminal Blocks DPES2.5



Strain Relief DP-PZ-XXP

Latch DP-PR

End Cover DPES2.5C

PID

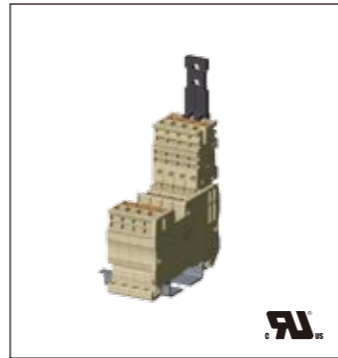


The PID, DPES2.5QK... is terminal block supporting plugs for sensor and actuator wiring. This product line are supplied in assembled pack.

DPES2.5QK..

Accessories

End cover	
Plug-in bridge	
2	
3	
4	
5	
10	
20	
Test plug	
Spacer	
Marking label (Center / Outer)	
Continuous flat marking label (Center / Outer)	
DIN rail	
Tool (mm)	
Ferrule	



DPES2.5QK01		
Signal Rated Data	UL	IEC
Rated Voltage (V)	600	800
Rated Current (A)	20	24
Rated impulse voltage	8KV	
Wire range (AWG/mm ²)	26-12	0.14-2.5
Distribution Rated Data		
Rated Voltage (V)	300	400
Rated Current (A)	10	17.5
Rated impulse voltage	8KV	
Wire range (AWG/mm ²)	26-14	0.5-2.5
Connection Capacity		
Max. Solid (mm ²)	4	
Max. Stranded (mm ²)	2.5	
General Data		
Stripping length (mm)	10	
Insulation material	PA	
T / W (mm)	22.3 / 60	
H / H on TS-35 (mm)	84 / 85.5	
Package	1	
Part number	Package	
DPES2.5C	50	
DSD01-2.502N	50	
DSD01-2.503N	50	
DSD01-2.504N	50	
DSD01-2.505N	10	
DSD01-2.510N	10	
DSD01-2.520N	10	
0208-T001		
0208-E001		
TM47W / TM42W	10	
TM-R200 / TM-R100	10	
TS-35	20	
TS-35/15	10	
0.6 x 3.5 DNT11-0107		
Page 167-168		

Bill of Materials	
Part Number	Pcs
DPES2.5	4
DPES2.5C	1
DP2.5PG-04P	1
DP-PZ-02P	1
DP-PR	1

Plug-in Connection Terminal Blocks

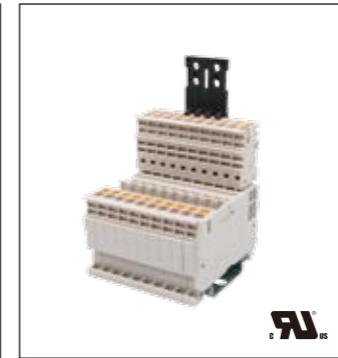


Push-In Design



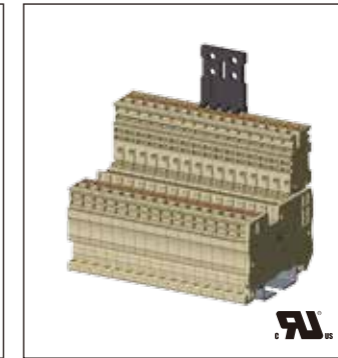
DPES2.5QK02		
Signal Rated Data	UL	IEC
Rated Voltage (V)	600	800
Rated Current (A)	20	24
Rated impulse voltage	8KV	
Wire range (AWG/mm ²)	26-12	0.14-2.5
Distribution Rated Data		
Rated Voltage (V)	300	400
Rated Current (A)	10	17.5
Rated impulse voltage	8KV	
Wire range (AWG/mm ²)	26-14	0.5-2.5
Connection Capacity		
Max. Solid (mm ²)	4	
Max. Stranded (mm ²)	2.5	
General Data		
Stripping length (mm)	10	
Insulation material	PA	
T / W (mm)	42.6 / 60	
H / H on TS-35 (mm)	84 / 85.5	
Package	1	
Part number	Package	
DPES2.5C	50	
DSD01-2.502N	50	
DSD01-2.503N	50	
DSD01-2.504N	50	
DSD01-2.505N	10	
DSD01-2.510N	10	
DSD01-2.520N	10	
0208-T001		
0208-E001		
TM47W / TM42W	10	
TM-R200 / TM-R100	10	
TS-35	20	
TS-35/15	10	
0.6 x 3.5 DNT11-0107		
Page 167-168		

Bill of Materials	
Part Number	Pcs
DPES2.5	8
DPES2.5C	1
DP2.5PG-08P	1
DP-PZ-02P	1
DP-PR	1



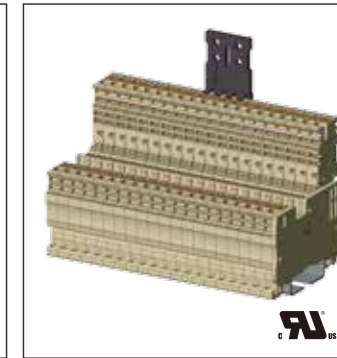
DPES2.5QK03		
Signal Rated Data	UL	IEC
Rated Voltage (V)	600	800
Rated Current (A)	20	24
Rated impulse voltage	8KV	
Wire range (AWG/mm ²)	26-12	0.14-2.5
Distribution Rated Data		
Rated Voltage (V)	300	400
Rated Current (A)	10	17.5
Rated impulse voltage	8KV	
Wire range (AWG/mm ²)	26-14	0.5-2.5
Connection Capacity		
Max. Solid (mm ²)	4	
Max. Stranded (mm ²)	2.5	
General Data		
Stripping length (mm)	10	
Insulation material	PA	
T / W (mm)	52.8 / 60	
H / H on TS-35 (mm)	84 / 85.5	
Package	1	
Part number	Package	
DPES2.5C	50	
DSD01-2.502N	50	
DSD01-2.503N	50	
DSD01-2.504N	50	
DSD01-2.505N	10	
DSD01-2.510N	10	
DSD01-2.520N	10	
0208-T001		
0208-E001		
TM47W / TM42W	10	
TM-R200 / TM-R100	10	
TS-35	20	
TS-35/15	10	
0.6 x 3.5 DNT11-0107		
Page 167-168		

Bill of Materials	
Part Number	Pcs
DPES2.5	10
DPES2.5C	1
DP2.5PG-10P	1
DP-PZ-04P	1
DP-PR	1



DPES2.5QK04		
Signal Rated Data	UL	IEC
Rated Voltage (V)	600	800
Rated Current (A)	20	24
Rated impulse voltage	8KV	
Wire range (AWG/mm ²)	26-12	0.14-2.5
Distribution Rated Data		
Rated Voltage (V)	300	400
Rated Current (A)	10	17.5
Rated impulse voltage	8KV	
Wire range (AWG/mm ²)	26-14	0.5-2.5
Connection Capacity		
Max. Solid (mm ²)	4	
Max. Stranded (mm ²)	2.5	
General Data		
Stripping length (mm)	10	
Insulation material	PA	
T / W (mm)	83.3 / 60	
H / H on TS-35 (mm)	84 / 85.5	
Package	1	
Part number	Package	
DPES2.5C	50	
DSD01-2.502N	50	
DSD01-2.503N	50	
DSD01-2.504N	50	
DSD01-2.505N	10	
DSD01-2.510N	10	
DSD01-2.520N	10	
0208-T001		
0208-E001		
TM47W / TM42W	10	
TM-R200 / TM-R100	10	
TS-35	20	
TS-35/15	10	
0.6 x 3.5 DNT11-0107		
Page 167-168		

Bill of Materials	
Part Number	Pcs
DPES2.5	16
DPES2.5C	1
DP2.5PG-16P	1
DP-PZ-04P	1
DP-PR	1



DPES2.5QK05		
Signal Rated Data	UL	IEC
Rated Voltage (V)	600	800
Rated Current (A)	20	24
Rated impulse voltage	8KV	
Wire range (AWG/mm ²)	26-12	0.14-2.5
Distribution Rated Data		
Rated Voltage (V)	300	400
Rated Current (A)	10	17.5
Rated impulse voltage	8KV	
Wire range (AWG/mm ²)	26-14	0.5-2.5
Connection Capacity		
Max. Solid (mm ²)	4	
Max. Stranded (mm ²)	2.5	
General Data		
Stripping length (mm)	10	
Insulation material	PA	
T / W (mm)	103.6 / 60	
H / H on TS-35 (mm)	84 / 85.5	
Package	1	
Part number	Package	
DPES2.5C	50	
DSD01-2.502N	50	
DSD01-2.503N	50	
DSD01-2.504N	50	
DSD01-2.505N	10	
DSD01-2.510N	10	
DSD01-2.520N	10	
0208-T001		
0208-E001		
TM47W / TM42W	10	
TM-R200 / TM-R100	10	
TS-35	20	
TS-35/15	10	
0.6 x 3.5 DNT11-0107		
Page 167-168		

Bill of Materials	
Part Number	Pcs
DPES2.5	20
DPES2.5C	1
DP2.5PG-20P	1
DP-PZ-04P	1
DP-PR	1



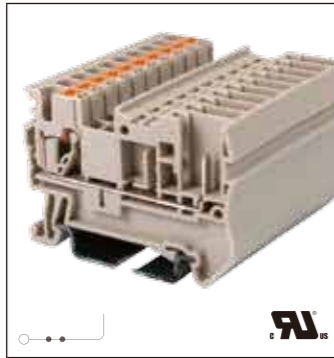
DP2.5/4 Knife and Disconnect Terminal Blocks Introduction

PID

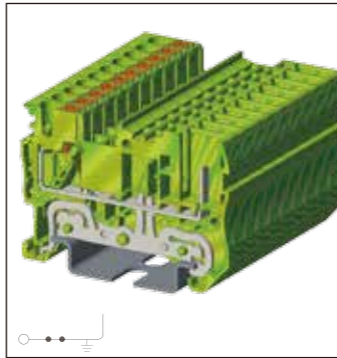


DPES2.5 is a plug-in type terminal block that enables signal transmission and power feeding function. The anti-vibration insertion force allows the plug to be firmly connected onto the terminal base. Current can be inputted from both the base and the plug. It is equipped with a series of accessories such as plug, strain relief, latch and marking labels.

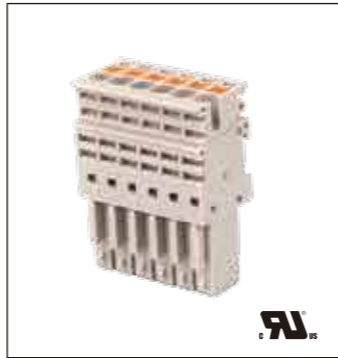
DPES2.5



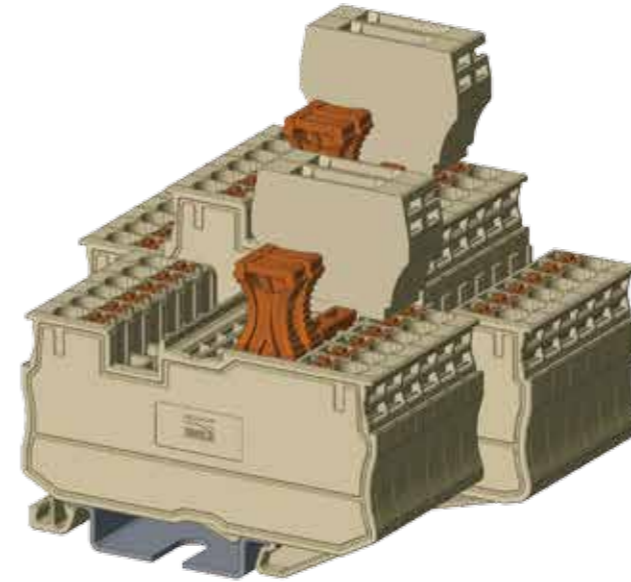
DPES2.5			
Rated Data	UL	IEC	
Rated Voltage (V)	600	800	
Rated Current (A)	20	24	
Rated impulse voltage	6KV		
Wire range (AWG/mm ²)	26-12	0.14-2.5	
Connection Capacity			
Max. Solid (mm ²)	4		
Max. Stranded (mm ²)	2.5		
General Data			
Stripping length (mm)	10		
Insulation material	PA		
T / W (mm)	5.08 / 51		
H / H on TS-35	35 / 36.5		
Package	100		
Color	Part number	Package	



DPES2.5-PE			
Rated Data	UL	IEC	
Rated Voltage (V)	600	800	
Rated Current (A)			
Rated impulse voltage	6KV		
Wire range (AWG/mm ²)	26-12	0.14-2.5	
Connection Capacity			
Max. Solid (mm ²)	4		
Max. Stranded (mm ²)	2.5		
General Data			
Stripping length (mm)	10		
Insulation material	PA		
T / W (mm)	5.08 / 51		
H / H on TS-35	35 / 36.5		
Package	100		
Color	Part number	Package	



DP2.5PG-XXP			
Rated Data	UL	IEC	
Rated Voltage (V)	600	800	
Rated Current (A)	20	24	
Rated impulse voltage	8KV		
Wire range (AWG/mm ²)	26-12	0.14-2.5	
Connection Capacity			
Max. Solid (mm ²)	4		
Max. Stranded (mm ²)	2.5		
General Data			
Stripping length (mm)	10		
Insulation material	PA		
T / W (mm)	-		
H / H on TS-35	-		
Package	-		
Color	Part number	Package	



The blades AKP-TP and AKP-TG are able to connect and disconnect quickly. The component carrier AKP-CP adopts diodes, resistors or other electronic components required for circuit solution.

Upper layer of the compact double layers design support knife and disconnect function, lower layer support grounding.

Marking system by continuous label strip offer clear marking identification and easy installation.

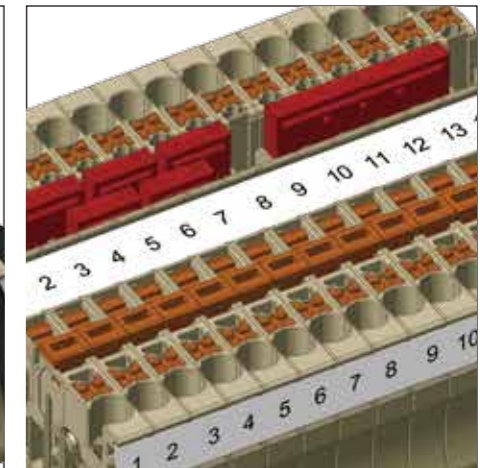
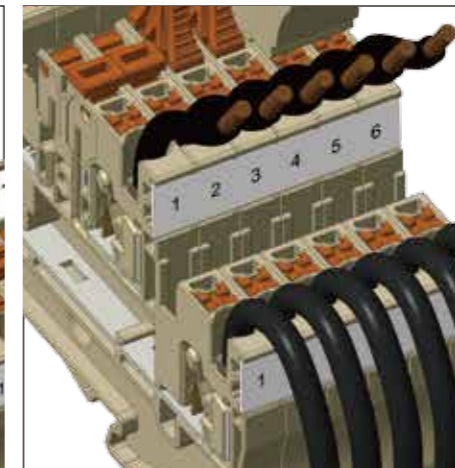
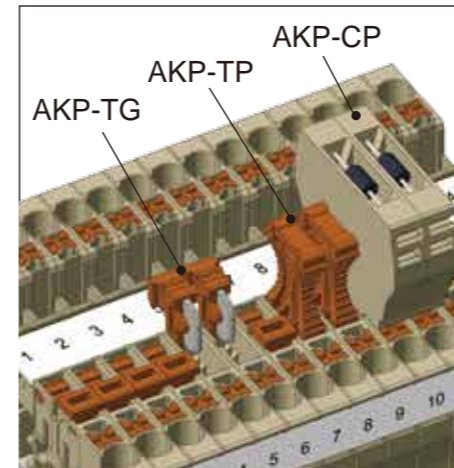
Accessories

- End cover
- Plug-in bridge
- Test plug
- Spacer
- Marking label (Center / Outer)
- Continuous flat marking label (Center / Outer)
- DIN rail
- Strain relief
- Latch
- Tool (mm)
- Ferrule

Part number	Package
DPE2.5C	50
DSD01-2.502N	50
DSD01-2.503N	50
DSD01-2.504N	50
DSD01-2.505N	10
DSD01-2.510N	10
DSD01-2.520N	10
0208-T001	
0208-E001	
TM47W / TM42W	10
TM-R200 / TM-R100	10
TS-35	20
TS-35/15	10
DP-PZ-02P	50
DP-PZ-04P	50
DP-PR	50
0.6 x 3.5 DNT11-0107	
Page 167-168	

Part number	Package
DPE2.5C-YG	50
DSD01-2.502N	50
DSD01-2.503N	50
DSD01-2.504N	50
DSD01-2.505N	10
DSD01-2.510N	10
DSD01-2.520N	10
0208-T001	
0208-E001	
TM47W / TM42W	10
TM-R200 / TM-R100	10
TS-35	20
TS-35/15	10
DP-PZ-02P	50
DP-PZ-04P	50
DP-PR	50
0.6 x 3.5 DNT11-0107	
Page 167-168	

Part number	Package
DP2.5PG-XXP-WPE	50
TM42W	10
TM-R100	10
DP-PZ-02P	50
DP-PZ-04P	50
DP-PR	50
0.6 x 3.5 DNT11-0107	
Page 167-168	



Blade disconnecting terminal block supports AKP-TP, AKP-TG, AKP-CP blades. Fast circuit disconnection can be established through AKP-TP and AKP-TG. The component carrier AKP-CP adopts resistor, diode and other electronic components required for circuit solution.

PID terminal blocks offer compact wiring connection in constrained space. Additionally, the product supports double level with variety structure of blade on the upper level while the second level applies to grounding, which increase space utility of the device.

The product has 2 jumper slots, which enables any numbers of terminal blocks to be shorted by use of 2P jumper. Mating with the continuous flat marking label makes easy and clear indication for installation and makes wiring much efficient.

Pole	Part Number	Package
2	DP2.5PG-02P	100
3	DP2.5PG-03P	100
4	DP2.5PG-04P	100
5	DP2.5PG-05P	50
6	DP2.5PG-06P	50
7	DP2.5PG-07P	50
8	DP2.5PG-08P	50

Strain relief



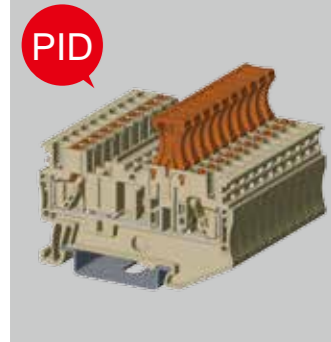
02P DP-PZ-02P
04P DP-PZ-04P

Latch

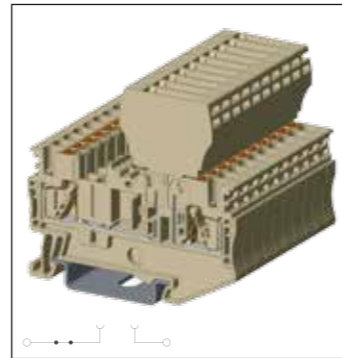
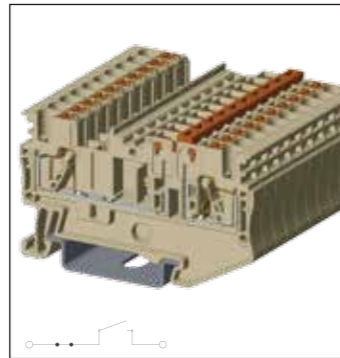
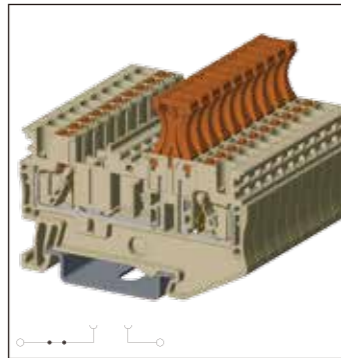


DP-PR

Knife and Disconnect Terminal Blocks



The PID, DP2.5-T is the knife disconnect type terminal block, are characterized by its compact structure and easy disconnection of the circuit testing. The product also supports plug-in bridge for equipotential function.



DP2.5-TP		
Rated Data	UL	IEC
Rated Voltage (V)	300	400
Rated Current (A)	20	20
Rated impulse voltage	6KV	
Wire range (AWG/mm ²)	26-12	0.2-2.5
Connection Capacity		
Max. Solid (mm ²)	4	
Max. Stranded (mm ²)	2.5	
General Data		
Stripping length (mm)	10	
Insulation material	PA	
T / W (mm)	5.1 / 61.7	
H / H on TS-35 (mm)	49.1 / 50.6	
Package	100	

DP2.5-TG		
Rated Data	UL	IEC
Rated Voltage (V)	300	400
Rated Current (A)	20	20
Rated impulse voltage	6KV	
Wire range (AWG/mm ²)	26-12	0.2-2.5
Connection Capacity		
Max. Solid (mm ²)	4	
Max. Stranded (mm ²)	2.5	
General Data		
Stripping length (mm)	10	
Insulation material	PA	
T / W (mm)	5.1 / 61.7	
H / H on TS-35 (mm)	36.7 / 38.2	
Package	100	

DP2.5-CP		
Rated Data	UL	IEC
Rated Voltage (V)	300	400
Rated Current (A)	20	20
Rated impulse voltage	6KV	
Wire range (AWG/mm ²)	26-12	0.2-2.5
Connection Capacity		
Max. Solid (mm ²)	4	
Max. Stranded (mm ²)	2.5	
General Data		
Stripping length (mm)	10	
Insulation material	PA	
T / W (mm)	5.1 / 61.7	
H / H on TS-35 (mm)	56.2 / 57.7	
Package	100	

DP2.5-..

Accessories

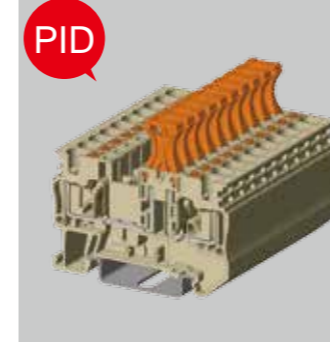
End cover	
Plug-in bridge	
2	
3	
4	
5	
10	
20	
Test plug	
Spacer	
Marking label (Center / Outer)	
Continuous flat marking label (Center / Outer)	
DIN rail	
Tool (mm)	
Ferrule	

Color	Part number	Package
■	DP2.5-TP-RD	100
■	DP2.5-TP-BL	100
Color	Part number	Package
■	DP2.5C-T	50
	DSD01-2.502N	50
	DSD01-2.503N	50
	DSD01-2.504N	50
	DSD01-2.505N	10
	DSD01-2.510N	10
	DSD01-2.520N	10
	0208-T001	
	0208-E001	
	TM47W / TM42W	10
	TM-R200 / TM-R100	10
	TS-35	20
	TS-35/15	10
	0.6 x 3.5 DNT11-0107	
	Page 167-168	

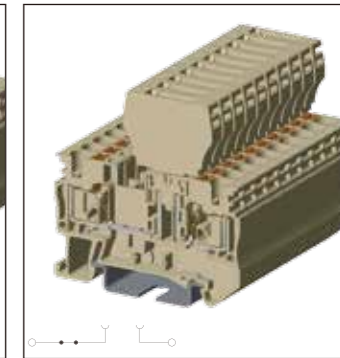
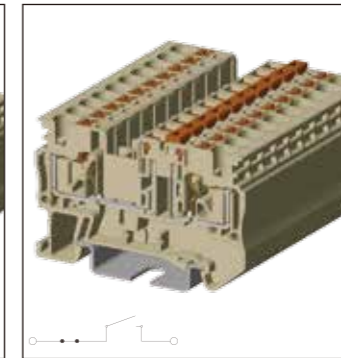
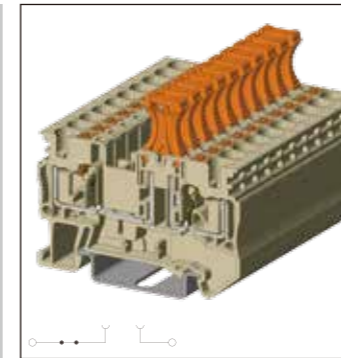
Color	Part number	Package
■	DP2.5-TG-RD	100
■	DP2.5-TG-BL	100
Color	Part number	Package
■	DP2.5C-T	50
	DSD01-2.502N	50
	DSD01-2.503N	50
	DSD01-2.504N	50
	DSD01-2.505N	10
	DSD01-2.510N	10
	DSD01-2.520N	10
	0208-T001	
	0208-E001	
	TM47W / TM42W	10
	TM-R200 / TM-R100	10
	TS-35	20
	TS-35/15	10
	0.6 x 3.5 DNT11-0107	
	Page 167-168	

Color	Part number	Package
■	DP2.5-CP-RD	100
■	DP2.5-CP-BL	100
Color	Part number	Package
■	DP2.5C-T	50
	DSD01-2.502N	50
	DSD01-2.503N	50
	DSD01-2.504N	50
	DSD01-2.505N	10
	DSD01-2.510N	10
	DSD01-2.520N	10
	0208-T001	
	0208-E001	
	TM47W / TM42W	10
	TM-R200 / TM-R100	10
	TS-35	20
	TS-35/15	10
	0.6 x 3.5 DNT11-0107	
	Page 167-168	

Knife and Disconnect Terminal Blocks



The PID, DP4-T is the knife disconnect type terminal block, are characterized by its compact structure and easy disconnection of the circuit testing. The product also supports plug-in bridge for equipotential function.



DP4-TP		
Rated Data	UL	IEC
Rated Voltage (V)	300	500
Rated Current (A)	20	20
Rated impulse voltage	6KV	
Wire range (AWG/mm ²)	24-10	0.2-4
Connection Capacity		
Max. Solid (mm ²)	6	
Max. Stranded (mm ²)	4	
General Data		
Stripping length (mm)	12	
Insulation material	PA	
T / W (mm)	6.1 / 57	
H / H on TS-35 (mm)	49.1 / 50.6	
Package	100	

DP4-TG		
Rated Data	UL	IEC
Rated Voltage (V)	300	500
Rated Current (A)	20	20
Rated impulse voltage	6KV	
Wire range (AWG/mm ²)	24-10	0.2-4
Connection Capacity		
Max. Solid (mm ²)	6	
Max. Stranded (mm ²)	4	
General Data		
Stripping length (mm)	12	
Insulation material	PA	
T / W (mm)	6.1 / 57	
H / H on TS-35 (mm)	36.7 / 38.2	
Package	100	

DP4-CP		
Rated Data	UL	IEC
Rated Voltage (V)	300	500
Rated Current (A)	20	20
Rated impulse voltage	6KV	
Wire range (AWG/mm ²)	24-10	0.2-4
Connection Capacity		
Max. Solid (mm ²)	6	
Max. Stranded (mm ²)	4	
General Data		
Stripping length (mm)	12	
Insulation material	PA	
T / W (mm)	6.1 / 57	
H / H on TS-35 (mm)	56.3 / 57.8	
Package	100	

DP4-..

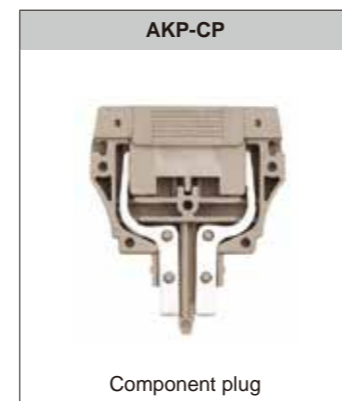
Accessories

End cover	
Plug-in bridge	
2	
3	
4	
5	
10	
20	
Test plug	
Spacer	
Marking label	
Continuous flat marking label	
DIN rail	
Tool (mm)	
Ferrule	

Color	Part number	Package
■	DP4-TP-RD	100
■	DP4-TP-BL	100
Color	Part number	Package
■	DP4C-TFU	50
	DSD01-402N	50
	DSD01-403N	50
	DSD01-404N	50
	DSD01-405N	10
	DSD01-410N	10
	DSD01-420N	10
	0208-T002	
	0208-E002	
	TM43W	10
	TM-R100	10
	TS-35	20
	TS-35/15	10
	0.8 x 3.5 DNT11-0109	
	Page 167-168	

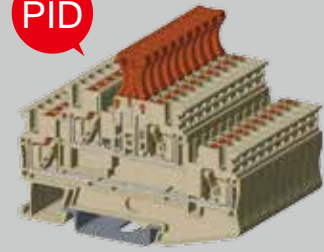
Color	Part number	Package
■	DP4-TG-RD	100
■	DP4-TG-BL	100
Color	Part number	Package
■	DP4C-TFU	50
	DSD01-402N	50
	DSD01-403N	50
	DSD01-404N	50
	DSD01-405N	10
	DSD01-410N	10
	DSD01-420N	10
	0208-T002	
	0208-E002	
	TM43W	10
	TM-R100	10
	TS-35	20
	TS-35/15	10
	0.8 x 3.5 DNT11-0109	
	Page 167-168	

Color	Part number	Package
■	DP4-CP-RD	100
■	DP4-CP-BL	100
Color	Part number	Package
■	DP4C-TFU	50
	DSD01-402N	50
	DSD01-403N	50
	DSD01-404N	50
	DSD01-405N	10
	DSD01-410N	10
	DSD01-420N	10
	0208-T002	
	0208-E002	
	TM43W	10
	TM-R100	10
	TS-35	20
	TS-35/15	10
	0.8 x 3.5 DNT11-0109	
	Page 167-168	





PID

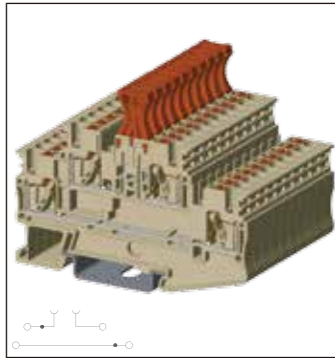


The PID, DPP4-T is the double level knife disconnect terminal block, are characterized by its compact structure and easy disconnection of the circuit for testing. The product has two individual potentials for higher density contact, and supports plug-in bridge for equipotential function.

DPP2.5-..

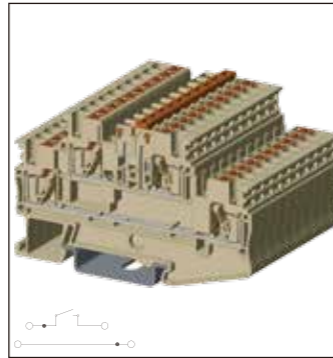
Accessories

- End cover
- Plug-in bridge
 - 2
 - 3
 - 4
 - 5
 - 10
 - 20
- Test plug
- Spacer
- Marking label
- Continuous flat marking label
- DIN rail
- Tool (mm)
- Ferrule



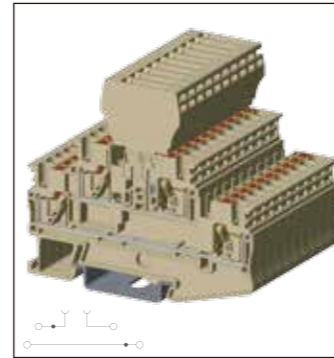
DPP2.5-TP			
Rated Data	UL	IEC	
Rated Voltage (V)	300	400	
Rated Current (A)	20	20	
Rated impulse voltage	6KV		
Wire range (AWG/mm ²)	26-12	0.2-2.5	
Connection Capacity			
Max. Solid (mm ²)	4		
Max. Stranded (mm ²)	2.5		
General Data			
Stripping length (mm)	10		
Insulation material	PA		
T / W (mm)	5.1 / 78.5		
H / H on TS-35 (mm)	60.1 / 61.6		
Package	100		

Color	Part number	Package
■	DPP2.5-TP-RD	100
■	DPP2.5-TP-BL	100
DPP2.5C-T		
Part number	Package	
DSD01-2.502N	50	
DSD01-2.503N	50	
DSD01-2.504N	50	
DSD01-2.505N	10	
DSD01-2.510N	10	
DSD01-2.520N	10	
0208-T001		
0208-E001		
TM42W	10	
TM-R100	10	
TS-35	20	
TS-35/15	10	
0.6 x 3.5 DNT11-0107		
Page 167-168		



DPP2.5-TG			
Rated Data	UL	IEC	
Rated Voltage (V)	300	400	
Rated Current (A)	20	20	
Rated impulse voltage	6KV		
Wire range (AWG/mm ²)	26-12	0.2-2.5	
Connection Capacity			
Max. Solid (mm ²)	4		
Max. Stranded (mm ²)	2.5		
General Data			
Stripping length (mm)	10		
Insulation material	PA		
T / W (mm)	5.1 / 78.5		
H / H on TS-35 (mm)	47.7 / 49.2		
Package	100		

Color	Part number	Package
■	DPP2.5-TG-RD	100
■	DPP2.5-TG-BL	100
DPP2.5C-T		
Part number	Package	
DSD01-2.502N	50	
DSD01-2.503N	50	
DSD01-2.504N	50	
DSD01-2.505N	10	
DSD01-2.510N	10	
DSD01-2.520N	10	
0208-T001		
0208-E001		
TM42W	10	
TM-R100	10	
TS-35	20	
TS-35/15	10	
0.6 x 3.5 DNT11-0107		
Page 167-168		



DPP2.5-CP			
Rated Data	UL	IEC	
Rated Voltage (V)	300	400	
Rated Current (A)	20	20	
Rated impulse voltage	6KV		
Wire range (AWG/mm ²)	26-12	0.2-2.5	
Connection Capacity			
Max. Solid (mm ²)	4		
Max. Stranded (mm ²)	2.5		
General Data			
Stripping length (mm)	10		
Insulation material	PA		
T / W (mm)	5.1 / 78.5		
H / H on TS-35 (mm)	67.2 / 68.7		
Package	100		

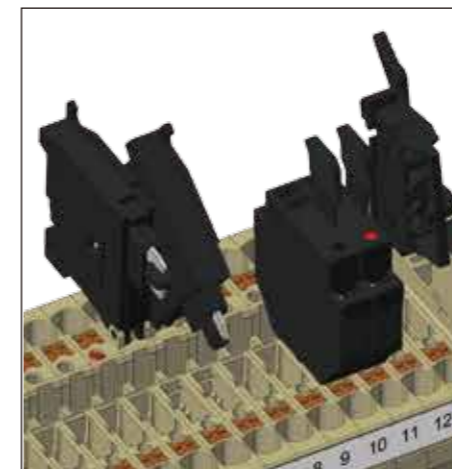
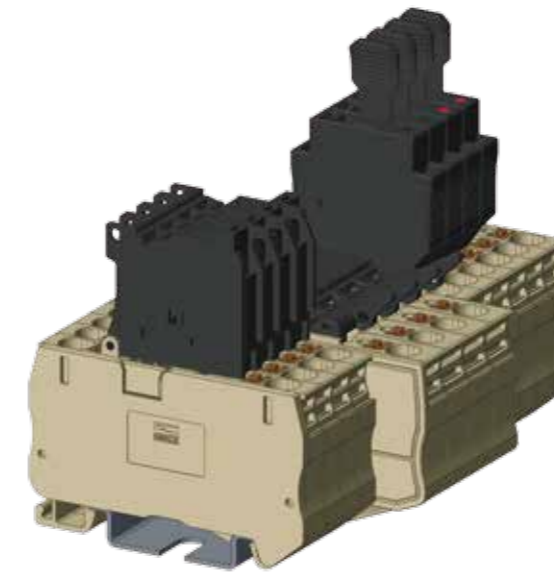
Color	Part number	Package
■	DPP2.5-CP-RD	100
■	DPP2.5-CP-BL	100
DPP2.5C-T		
Part number	Package	
DSD01-2.502N	50	
DSD01-2.503N	50	
DSD01-2.504N	50	
DSD01-2.505N	10	
DSD01-2.510N	10	
DSD01-2.520N	10	
0208-T001		
0208-E001		
TM42W	10	
TM-R100	10	
TS-35	20	
TS-35/15	10	
0.6 x 3.5 DNT11-0107		
Page 167-168		

DP2.5/4 Fuse Terminal Blocks Introduction

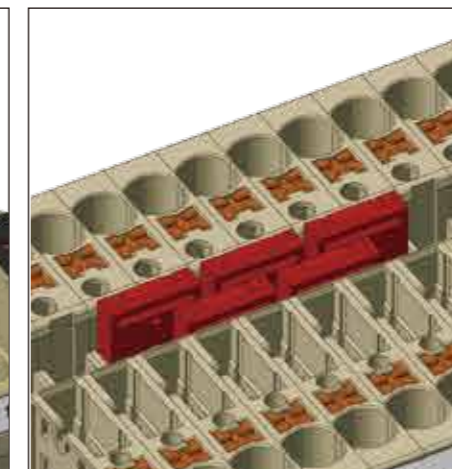
The fuse terminal block supports cartridge fuse and car fuse, which with a 2-way LED indicator to afford the use of different current directions.

The product adopts rotary lever or lever type fuse carrier to be applied in various fields. PID connection method enables quick wiring and saves user's wiring time. The compact design provides high density connection in limited space.

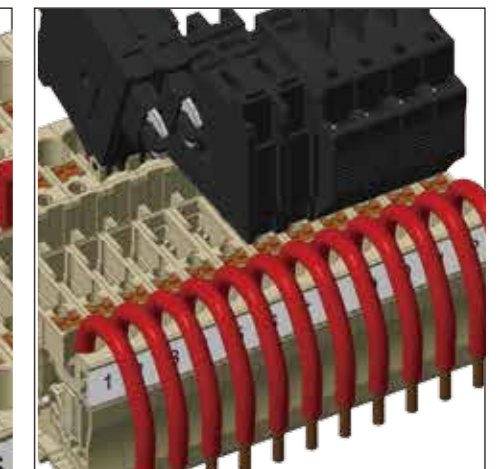
It can support continuous flat marking labels, and the flexible marking system offers convenient installation and brings users more conveniences when wiring.



The fuse terminal block supports cartridge fuse, car fuse and two-way LED indicator to identify current direction. The product adopts rotary lever or lever type fuse carrier.



The product has 2 jumper slots, which enables any numbers of terminal blocks to be shorted by use of 2P jumper. Mating with the continuous flat marking label makes easy and clear indication for installation and makes wiring much efficient.



PID type is able to install wire without tool and save much wiring time, and offer high density wiring connection in limited space.

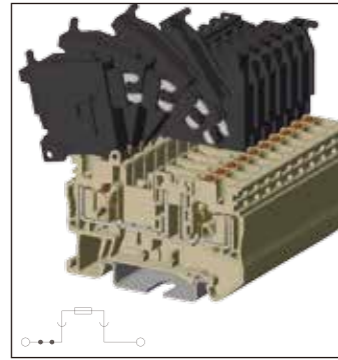
Lever-Type Fuse Disconnect Terminal Blocks



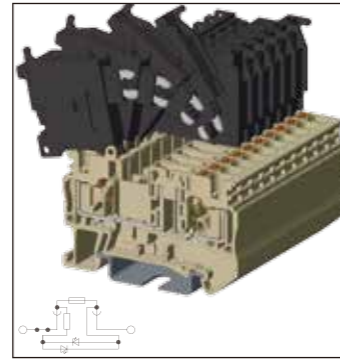
The PID, DP...-TF is disconnect terminal block with fuse lever.

The product supports 5X20mm cartridge fuse inside the fuse holder. The cartridge fuse can be placed inside the fuse holder and clip on the slot.

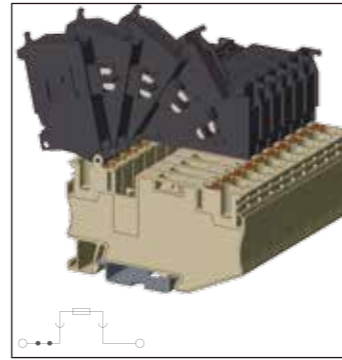
DP...TF



DP4-TF(5X20)		
Rated Data	UL	IEC
Rated Voltage (V)	300	400
Rated Current (A)	6.3	6.3
Rated impulse voltage	6KV	
Wire range (AWG/mm ²)	24-10	0.2-4
Connection Capacity		
Max. Solid (mm ²)	6	
Max. Stranded (mm ²)	4	
General Data		
Stripping length (mm)	12	
Insulation material	PA	
T / W (mm)	6.1 / 57	
H / H on TS-35 (mm)	63.1 / 64.6	
Package	100	



DP4-TFLXX(5X20)		
Rated Data	UL	IEC
Rated Voltage (V)	300	400
Rated Current (A)	6.3	6.3
Rated impulse voltage	6KV	
Wire range (AWG/mm ²)	24-10	0.2-4
Connection Capacity		
Max. Solid (mm ²)	6	
Max. Stranded (mm ²)	4	
General Data		
Stripping length (mm)	12	
Insulation material	PA	
T / W (mm)	6.1 / 57	
H / H on TS-35 (mm)	63.1 / 64.6	
Package	100	



DP6-TF(6.3X32)		
Rated Data	UL	IEC
Rated Voltage (V)	300	630
Rated Current (A)	6.3	6.3
Rated impulse voltage	6KV	
Wire range (AWG/mm ²)	20-8	0.5-6
Connection Capacity		
Max. Solid (mm ²)	10	
Max. Stranded (mm ²)	6	
General Data		
Stripping length (mm)	10-12	
Insulation material	PA	
T / W (mm)	8 / 74.6	
H / H on TS-35 (mm)	70.1 / 71.6	
Package	100	

Accessories	
End cover	
Plug-in bridge	
2	
3	
4	
5	
10	
20	
Test plug	
Spacer	
Marking label	
Continuous flat marking label	
DIN rail	
Tool (mm)	
Fuse	
Ferrule	

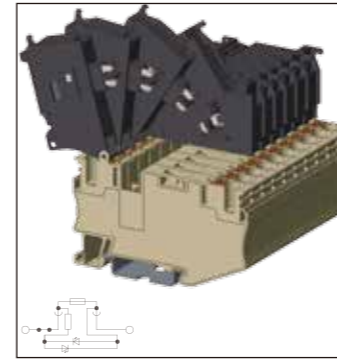
Fuse Specification

Part number	Fuse size	Current
FUK1A-01	5x20	1A
FUK2A-01	5x20	2A
FUK6.3A-01	5x20	6.3A
FUK1A-02	6.3x32	1A
FUK2A-02	6.3x32	2A
FUK6.3A-02	6.3x32	6.3A

* DP4-TFLXX(5X20) with LED display.

Part number	LED	Voltage
DP4-TFL24(5X20)	with LED light	24V
DP4-TFL60(5X20)	with LED light	60V
DP4-TFL110(5X20)	with LED light	110V
DP4-TFL250(5X20)	with LED light	250V

Lever-Type Fuse Disconnect Terminal Blocks



DP6-TFLXX(6.3X32)		
Rated Data	UL	IEC
Rated Voltage (V)	300	630
Rated Current (A)	6.3	6.3
Rated impulse voltage	6KV	
Wire range (AWG/mm ²)	20-8	0.5-6
Connection Capacity		
Max. Solid (mm ²)	10	
Max. Stranded (mm ²)	6	
General Data		
Stripping length (mm)	10-12	
Insulation material	PA	
T / W (mm)	8 / 74.6	
H / H on TS-35 (mm)	70.1 / 71.6	
Package	100	

Part number	Package
DSD01-602N	50
DSD01-603N	50
DSD01-604N	50
DSD01-605N	10
DSD01-610N	10
0208-T003	
0208-E003	
TM44W	10
TM-R100	10
TS-35	20
TS-35/15	10
0.8 x 4 DNT11-0109	
FUK1A-02	50
FUK2A-02	50
FUK6.3A-02	50
Page 167-168	

* DP6-TFLXX(6.3X32) with LED display.

Part number	LED	Voltage
DP6-TFL24(6.3X32)	with LED light	24V
DP6-TFL60(6.3X32)	with LED light	60V
DP6-TFL110(6.3X32)	with LED light	110V
DP6-TFL250(6.3X32)	with LED light	250V
DP6-TFL630(6.3X32)	with LED light	630V



The PID, DP4...-TFH are offered with fuse cap supported by the loaded spring. The cap can be ejected when inserting the fuse.

This product supports LED for clear indication.

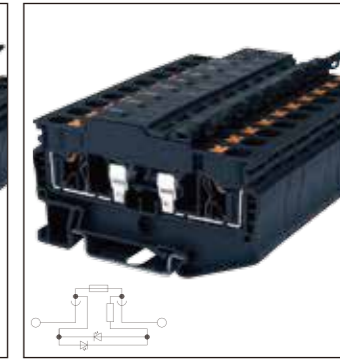
DP...TFH

Accessories	
End cover	
Marking label	
Continuous flat marking label	
DIN rail	
Tool (mm)	
Fuse	
Ferrule	



DP4-TFH(5X20)		
Rated Data	UL	IEC
Rated Voltage (V)	600	500
Rated Current (A)	6.3	6.3
Rated impulse voltage	6KV	
Wire range (AWG/mm ²)	24-10	0.2-4
Connection Capacity		
Max. Solid (mm ²)	6	
Max. Stranded (mm ²)	4	
General Data		
Stripping length (mm)	10-12	
Insulation material	PA	
T / W (mm)	8 / 67.3	
H / H on TS-35 (mm)	44.2 / 45.7	
Package	50	

Part number	Package
DP4C-TFH	50
TM44W	10
TM-R100	10
TS-35	20
TS-35/15	10
0.8 x 3.5 DNT11-0109	
FUK1A-01	50
FUK2A-01	50
FUK6.3A-01	50
Page 167-168	



DP4-TFHLXX(5X20)		
Rated Data	UL	IEC
Rated Voltage (V)	600	500
Rated Current (A)	6.3	6.3
Rated impulse voltage	6KV	
Wire range (AWG/mm ²)	24-10	0.2-4
Connection Capacity		
Max. Solid (mm ²)	6	
Max. Stranded (mm ²)	4	
General Data		
Stripping length (mm)	10-12	
Insulation material	PA	
T / W (mm)	8 / 67.3	
H / H on TS-35 (mm)	44.2 / 45.7	
Package	50	

Part number	Package
DP4C-TFH	50
TM44W	10
TM-R100	10
TS-35	20
TS-35/15	10
0.8 x 3.5 DNT11-0109	
FUK1A-01	50
FUK2A-01	50
FUK6.3A-01	50
Page 167-168	

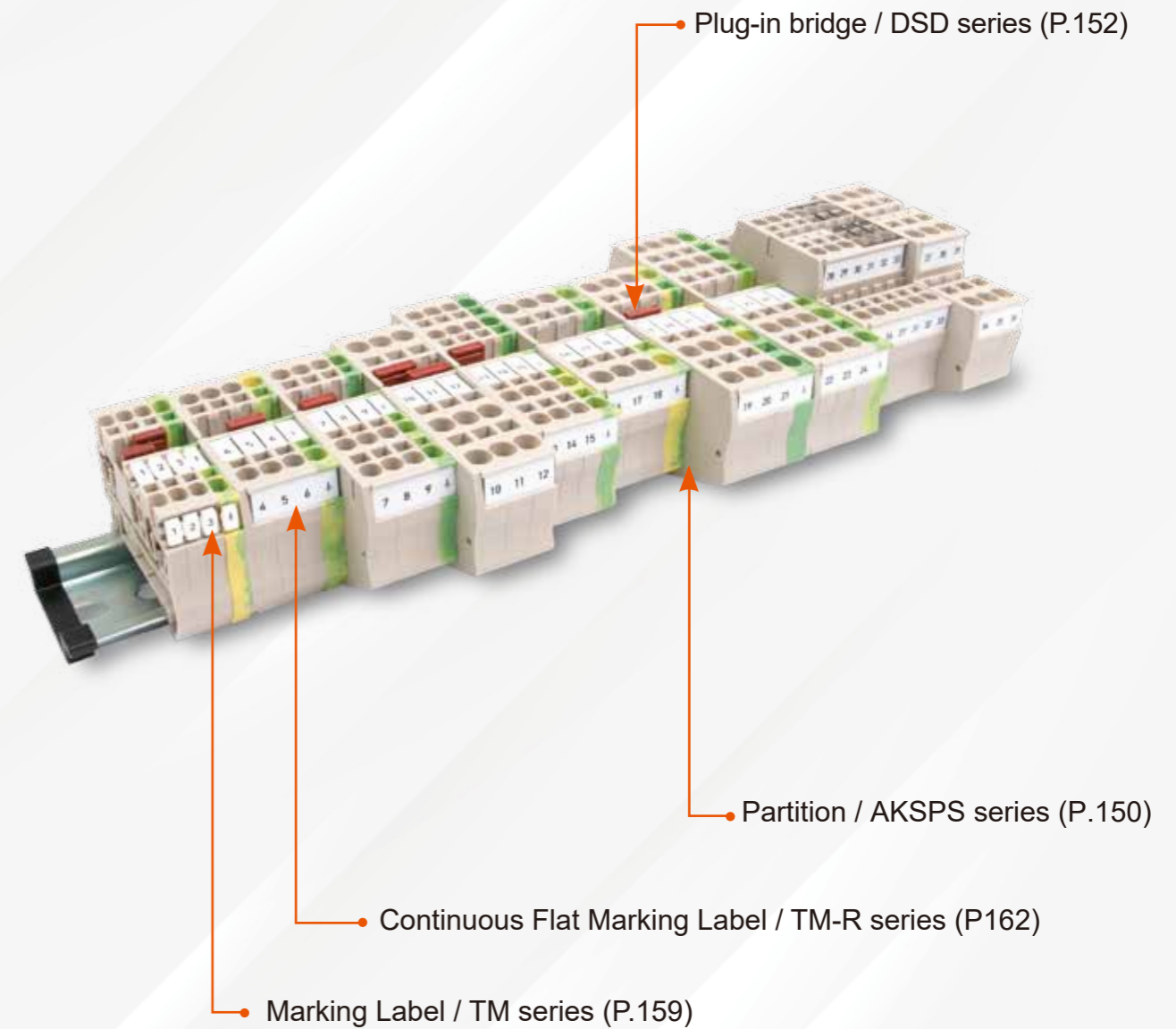
* DP4-TFHLXX(5X20) with LED display.

Part number	LED	Voltage
DP4-TFHL24(5X20)	with LED light	24V
DP4-TFHL60(5X20)	with LED light	60V
DP4-TFHL110(5X20)	with LED light	110V
DP4-TFHL250(5X20)	with LED light	250V

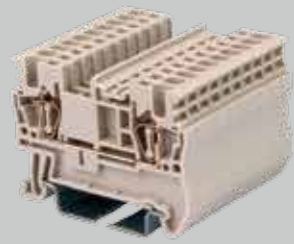
Spring Clamp Connection Terminal Block



- The spring clamp connection terminal block provides instant wiring and is designed to fully comply with the safety standards of UL1059, IEC60947-7-1 and IEC60947-7-2. The quality of the product is consistent and provides stable wiring connection performance.
- Excellent conductor material and design makes electrical performance meet the requirements of low resistance and high conductivity.
- With Dinkle's excellent material selection and design capabilities, the application is robust and durable even in vibration environment.



Feed-through Terminal Blocks



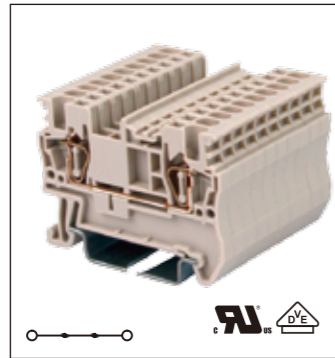
AK series is a 2 ports terminal block. Spring clamp structure offer quick wiring and the high quality conductors fit the low resistance requirement.

With plug-in bridge, AK series can connect two or more terminal blocks in parallel. Marking labels are compatible for clear identification.

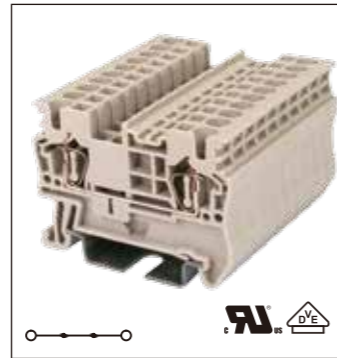
AK ..

Accessories

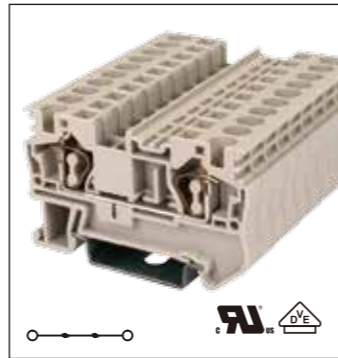
- End cover
- Partition plate
- Plug-in bridge
 - 2
 - 3
 - 4
 - 5
 - 10
 - 20
- Marking block
- Marking label (Center / Outer)
- Continuous flat marking label (Center / Outer)
- DIN rail
- Tool (mm)



AK1.5		
Rated Data	UL	IEC
Rated Voltage (V)	600	630
Rated Current (A)	15	17.5
Rated impulse voltage	8KV	
Wire range (AWG/mm ²)	30~14	0.14~1.5
Connection Capacity		
Max. Solid (mm ²)	1.5	
Max. Stranded (mm ²)	1.5	
General Data		
Stripping length (mm)	10	
Insulation material	PA	
T / W (mm)	4.2 / 49	
H / H on TS-35 (mm)	35 / 36.5	
Package	100	
Color	Part number	Package
■	AK1.5-RD	100
■	AK1.5-BL	100
Part number	Package	
AK2.5C	50	
AKSPS-001	50	
2 way	DSD01-1.502N	50
3 way	DSD01-1.503N	50
4 way	DSD01-1.504N	50
5 way	DSD01-1.505N	10
10 way	DSD01-1.510N	10
20 way	DSD01-1.520N	10
MKG-001 / MKG-002	200	
TM46W / TM41W	10	
TM-R200 / TM-R100	10	
TS-35	20	
TS-35/15	10	
0.4 x 2.5 DNT11-0102		

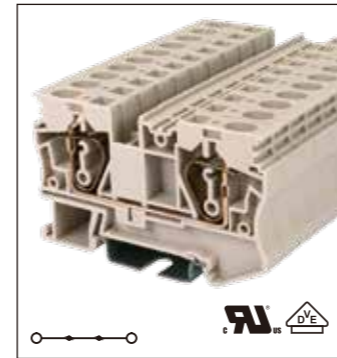


AK2.5		
Rated Data	UL	IEC
Rated Voltage (V)	600	800
Rated Current (A)	20	24
Rated impulse voltage	8KV	
Wire range (AWG/mm ²)	30~12	0.2~2.5
Connection Capacity		
Max. Solid (mm ²)	2.5	
Max. Stranded (mm ²)	2.5	
General Data		
Stripping length (mm)	10	
Insulation material	PA	
T / W (mm)	5.1 / 49	
H / H on TS-35 (mm)	35 / 36.5	
Package	100	
Color	Part number	Package
■	AK2.5-RD	100
■	AK2.5-BL	100
Part number	Package	
AK2.5C	50	
AKSPS-001	50	
2 way	DSD01-2.502N	50
	DSD01-2.503N	50
	DSD01-2.504N	50
	DSD01-2.505N	10
	DSD01-2.510N	10
	DSD01-2.520N	10
MKG-003 / MKG-004	200	
TM47W / TM42W	10	
TM-R200 / TM-R100	10	
TS-35	20	
TS-35/15	10	
0.6 x 3.5 DNT11-0107		

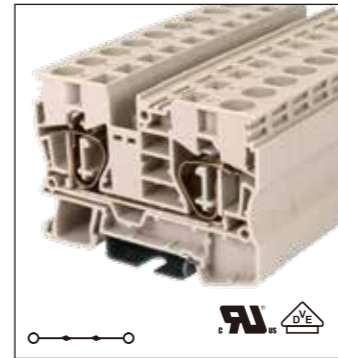


AK4		
Rated Data	UL	IEC
Rated Voltage (V)	600	800
Rated Current (A)	25	32
Rated impulse voltage	8KV	
Wire range (AWG/mm ²)	28~10	0.2~4
Connection Capacity		
Max. Solid (mm ²)	4	
Max. Stranded (mm ²)	4	
General Data		
Stripping length (mm)	10	
Insulation material	PA	
T / W (mm)	6.1 / 57	
H / H on TS-35 (mm)	35 / 36.5	
Package	100	
Color	Part number	Package
■	AK4-RD	100
■	AK4-BL	100
Part number	Package	
AK4C	50	
AKSPS-001	50	
	DSD01-402N	50
	DSD01-403N	50
	DSD01-404N	50
	DSD01-405N	10
	DSD01-410N	10
	DSD01-420N	10
MKG-003 / MKG-004	200	
TM48W / TM43W	10	
TM-R200 / TM-R100	10	
TS-35	20	
TS-35/15	10	
0.6 x 3.5 DNT11-0107		

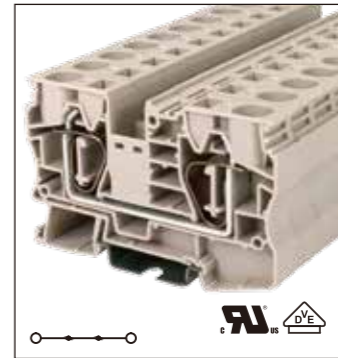
Feed-through Terminal Blocks



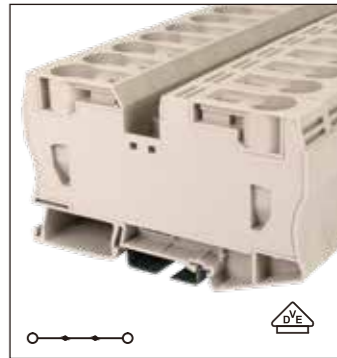
AK6		
Rated Data	UL	IEC
Rated Voltage (V)	600	800
Rated Current (A)	35	41
Rated impulse voltage	8KV	
Wire range (AWG/mm ²)	24~8	0.5~6
Connection Capacity		
Max. Solid (mm ²)	6	
Max. Stranded (mm ²)	6	
General Data		
Stripping length (mm)	12	
Insulation material	PA	
T / W (mm)	8 / 69.5	
H / H on TS-35 (mm)	42 / 43.5	
Package	50	
Color	Part number	Package
■	AK6-RD	50
■	AK6-BL	50
Part number	Package	
AK6C	50	
AKSPS-002	50	
	DSD01-602N	50
	DSD01-603N	50
	DSD01-604N	50
	DSD01-605N	10
	DSD01-610N	10
TM49W / TM44W	10	
TM-R200 / TM-R100	10	
TS-35	20	
TS-35/15	10	
0.8 x 4 DNT11-0109		



AK10		
Rated Data	UL	IEC
Rated Voltage (V)	600	800
Rated Current (A)	51	57
Rated impulse voltage	8KV	
Wire range (AWG/mm ²)	24~6	1.5~10
Connection Capacity		
Max. Solid (mm ²)	10	
Max. Stranded (mm ²)	10	
General Data		
Stripping length (mm)	18	
Insulation material	PA	
T / W (mm)	10 / 71.1	
H / H on TS-35 (mm)	49.3 / 50.1	
Package	50	
Color	Part number	Package
■	AK10-RD	50
■	AK10-BL	50
Part number	Package	
AK10C	50	
	DSD01-1002N	50
	DSD01-1003N	50
	DSD01-1004N	50
	DSD01-1005N	10
	DSD01-1010N	10
TM50W / TM45W	10	
TM-R200 / TM-R100	10	
TS-35	20	
TS-35/15	10	
1.0 x 5.5 DNT11-0111		



AK16		
Rated Data	UL	IEC
Rated Voltage (V)	600	800
Rated Current (A)	66	76
Rated impulse voltage	8KV	
Wire range (AWG/mm ²)	24~4	1.5~16
Connection Capacity		
Max. Solid (mm ²)	16	
Max. Stranded (mm ²)	16	
General Data		
Stripping length (mm)	18	
Insulation material	PA	
T / W (mm)	12 / 80.2	
H / H on TS-35 (mm)	50.4 / 51.2	
Package	50	
Color	Part number	Package
■	AK16-RD	50
■	AK16-BL	50
Part number	Package	
AK16C	50	
	DSD01-1602N	50
	DSD01-1603N	50
	DSD01-1604N	50
	DSD01-1605N	10
	DSD01-1610N	10
TM50W / TM45W	10	
TM-R200 / TM-R100	10	
TS-35	20	
TS-35/15	10	
1.0 x 5.5 DNT11-0111		



AK35		
Rated Data	UL	IEC
Rated Voltage (V)	600	1000
Rated Current (A)	105	125
Rated impulse voltage	8KV	
Wire range (AWG/mm ²)	14~2	2.5~35
Connection Capacity		
Max. Solid (mm ²)	35	
Max. Stranded (mm ²)	35	
General Data		
Stripping length (mm)	25	
Insulation material	PA	
T / W (mm)	16 / 99.6	
H / H on TS-35 (mm)	58.4 / 59.2	
Package	20	
Color	Part number	Package
■	AK35-RD	20
■	AK35-BL	20
Part number	Package	
	DSD01-3502N	10
TM50W / TM45W	10	
TM-R200 / TM-R100	10	
TS-35	20	
TS-35/15	10	
1.0 x 5.5 DNT11-0111		

Spring Clamp Connection

Feed-through 3-Conductor Terminal Blocks



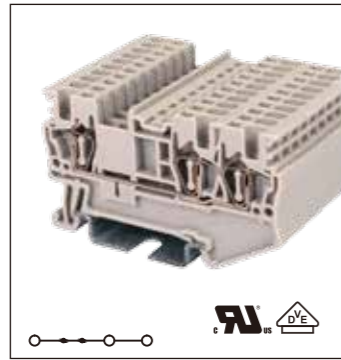
AK...-TN series is a 3 ports terminal block. Spring clamp structure offer quick wiring and the high quality conductors fit the low resistance requirement.

With plug-in bridge, AK...-TN series can connect two or more terminal blocks in parallel. Marking labels are compatible for clear identification.

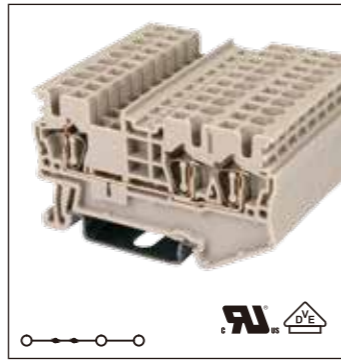
AK...-TN

Accessories

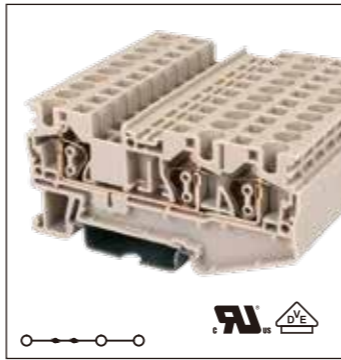
- End cover
- Partition plate
- Plug-in bridge
 - 2
 - 3
 - 4
 - 5
 - 10
 - 20
- Marking block
- Marking label (Center / Outer)
- Continuous flat marking label (Center / Outer)
- DIN rail
- Tool (mm)



AK1.5-TN		
Rated Data	UL	IEC
Rated Voltage (V)	600	630
Rated Current (A)	15	17.5
Rated impulse voltage	8KV	
Wire range (AWG/mm ²)	30~14	0.14~1.5
Connection Capacity		
Max. Solid (mm ²)	1.5	
Max. Stranded (mm ²)	1.5	
General Data		
Stripping length (mm)	10	
Insulation material	PA	
T / W (mm)	4.2 / 60.8	
H / H on TS-35 (mm)	35 / 36.5	
Package	100	
Color	Part number	Package
■	AK1.5-TN-RD	100
■	AK1.5-TN-BL	100
Part number	Package	
AK2.5C-TN	50	
AK2.5CS-R	50	
AKSPS-003	50	
2 way	DSD01-1.502N	50
3 way	DSD01-1.503N	50
4 way	DSD01-1.504N	50
5 way	DSD01-1.505N	10
10 way	DSD01-1.510N	10
20 way	DSD01-1.520N	10
MKG-001 / MKG-002	200	
TM46W / TM41W	10	
TM-R200 / TM-R100	10	
TS-35	20	
TS-35/15	10	
0.4 x 2.5 DNT11-0102		

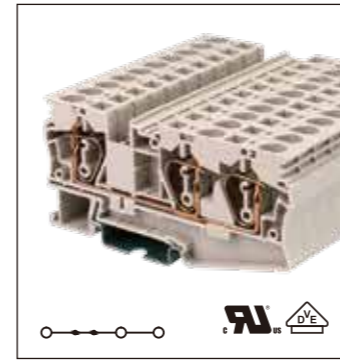


AK2.5-TN		
Rated Data	UL	IEC
Rated Voltage (V)	600	800
Rated Current (A)	20	24
Rated impulse voltage	8KV	
Wire range (AWG/mm ²)	30~12	0.2~2.5
Connection Capacity		
Max. Solid (mm ²)	2.5	
Max. Stranded (mm ²)	2.5	
General Data		
Stripping length (mm)	10	
Insulation material	PA	
T / W (mm)	5.1 / 60.8	
H / H on TS-35 (mm)	35 / 36.5	
Package	50	
Color	Part number	Package
■	AK2.5-TN-RD	50
■	AK2.5-TN-BL	50
Part number	Package	
AK2.5C-TN	50	
AK2.5CS-R	50	
AKSPS-003	50	
DSD01-2.502N	50	
DSD01-2.503N	50	
DSD01-2.504N	50	
DSD01-2.505N	10	
DSD01-2.510N	10	
DSD01-2.520N	10	
MKG-003 / MKG-004	200	
TM47W / TM42W	10	
TM-R200 / TM-R100	10	
TS-35	20	
TS-35/15	10	
0.6 x 3.5 DNT11-0107		

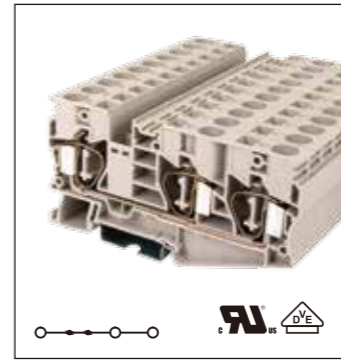


AK4-TN		
Rated Data	UL	IEC
Rated Voltage (V)	600	800
Rated Current (A)	25	32
Rated impulse voltage	8KV	
Wire range (AWG/mm ²)	28~10	0.2~4
Connection Capacity		
Max. Solid (mm ²)	4	
Max. Stranded (mm ²)	4	
General Data		
Stripping length (mm)	10	
Insulation material	PA	
T / W (mm)	6.1 / 72.5	
H / H on TS-35 (mm)	35 / 36.5	
Package	100	
Color	Part number	Package
■	AK4-TN-RD	100
■	AK4-TN-BL	100
Part number	Package	
AK4C-TN	50	
AK4CS-R	50	
AKSPS-003	50	
DSD01-402N	50	
DSD01-403N	50	
DSD01-404N	50	
DSD01-405N	10	
DSD01-410N	10	
DSD01-420N	10	
MKG-003 / MKG-004	200	
TM48W / TM43W	10	
TM-R200 / TM-R100	10	
TS-35	20	
TS-35/15	10	
0.6 x 3.5 DNT11-0107		

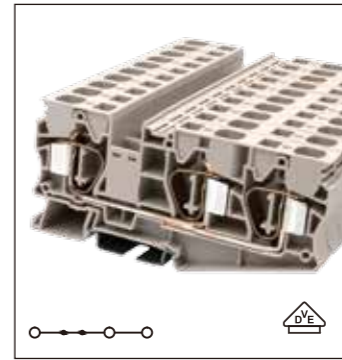
Feed-through 3-Conductor Terminal Blocks



AK6-TN		
Rated Data	UL	IEC
Rated Voltage (V)	600	800
Rated Current (A)	35	41
Rated impulse voltage	8KV	
Wire range (AWG/mm ²)	24~8	0.5~6
Connection Capacity		
Max. Solid (mm ²)	6	
Max. Stranded (mm ²)	6	
General Data		
Stripping length (mm)	12	
Insulation material	PA	
T / W (mm)	8 / 90.5	
H / H on TS-35 (mm)	42 / 43.5	
Package	50	
Color	Part number	Package
■	AK6-TN-RD	50
■	AK6-TN-BL	50
Part number	Package	
AK6C-TN	50	
AK6CS-R	50	
DSD01-602N	50	
DSD01-603N	50	
DSD01-604N	50	
DSD01-605N	10	
DSD01-610N	10	
TM49W / TM44W	10	
TM-R200 / TM-R100	10	
TS-35	20	
TS-35/15	10	
0.8 x 4 DNT11-0109		



AK10-TN		
Rated Data	UL	IEC
Rated Voltage (V)	600	800
Rated Current (A)	40	57
Rated impulse voltage	8KV	
Wire range (AWG/mm ²)	24~6	1.5~10
Connection Capacity		
Max. Solid (mm ²)	10	
Max. Stranded (mm ²)	10	
General Data		
Stripping length (mm)	18	
Insulation material	PA	
T / W (mm)	10 / 96.8	
H / H on TS-35 (mm)	49.3 / 50.1	
Package	50	
Color	Part number	Package
■	AK10-TN-RD	50
■	AK10-TN-BL	50
Part number	Package	
AK10C-TN	50	
DSD01-1002N	50	
DSD01-1003N	50	
DSD01-1004N	50	
DSD01-1005N	10	
DSD01-1010N	10	
TM50W / TM45W	10	
TM-R200 / TM-R100	10	
TS-35	20	
TS-35/15	10	
1.0 x 5.5 DNT11-0111		

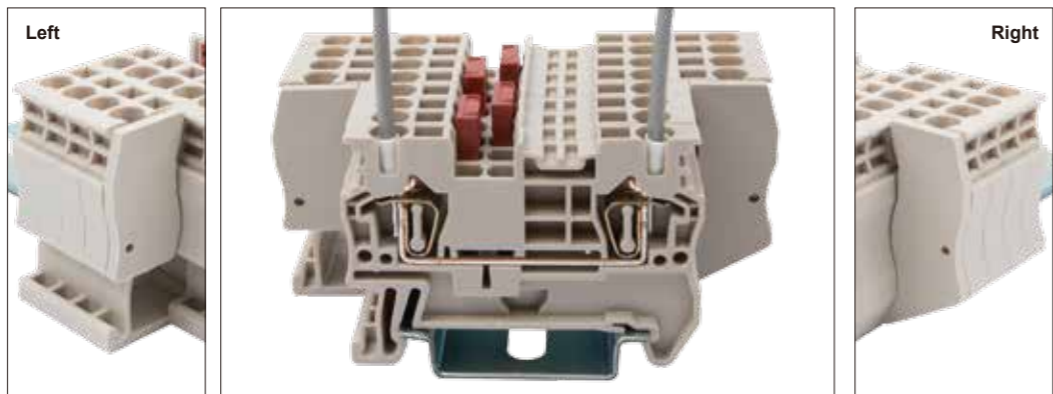


AK16-TN		
Rated Data	UL	IEC
Rated Voltage (V)	600	800
Rated Current (A)	66	76
Rated impulse voltage	8KV	
Wire range (AWG/mm ²)	24~4	1.5~16
Connection Capacity		
Max. Solid (mm ²)	16	
Max. Stranded (mm ²)	16	
General Data		
Stripping length (mm)	18	
Insulation material	PA	
T / W (mm)	12 / 108.2	
H / H on TS-35 (mm)	50.4 / 51.2	
Package	20	
Color	Part number	Package
■	AK16-TN-RD	20
■	AK16-TN-BL	20
Part number	Package	
AK16C-TN	50	
DSD01-1602N	50	
DSD01-1603N	50	
DSD01-1604N	50	
DSD01-1605N	10	
DSD01-1610N	10	
TM50W / TM45W	10	
TM-R200 / TM-R100	10	
TS-35	20	
TS-35/15	10	
1.0 x 5.5 DNT11-0111		

Rated Data	UL	IEC
Rated Voltage (V)		
Rated Current (A)		
Rated impulse voltage		
Wire range (AWG/mm ²)		
Connection Capacity		
Max. Solid (mm ²)		
Max. Stranded (mm ²)		
General Data		
Stripping length (mm)		
Insulation material		
T / W (mm)		
H / H on TS-35 (mm)		
Package		
Color	Part number	Package
Part number	Package	

Spring Clamp Connection

Part Number	End Cover	
	Left	Right
AK1.5-TN	-	AK2.5CS-R
AK2.5-TN	-	AK2.5CS-R
AK4-TN	-	AK4CS-R
AK6-TN	-	AK6CS-R
AK1.5-TR	AK2.5CS-L	AK2.5CS-R
AK2.5-TR	AK2.5CS-L	AK2.5CS-R
AK4-TR	AK4CS-L	AK4CS-R
AK6-TR	AK6CS-L	AK6CS-R



Feed-through 4-Conductor Terminal Blocks



AK...-TR series is a 4 ports terminal block. Spring clamp structure offer quick wiring and the high quality conductors fit the low resistance requirement.

With plug-in bridge, AK...-TR series can connect two or more terminal blocks in parallel. Marking labels are compatible for clear identification.

AK...-TR

Accessories

End cover



Partition plate



Plug-in bridge



Marking block



Marking label (Center / Outer)



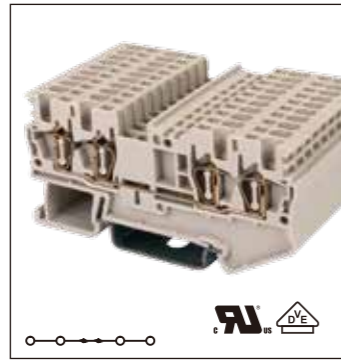
Continuous flat marking label (Center / Outer)



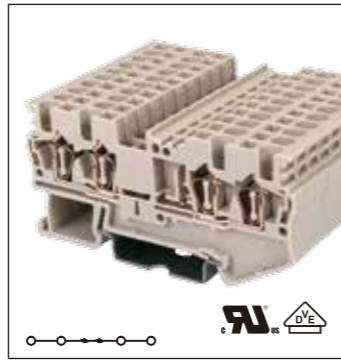
DIN rail



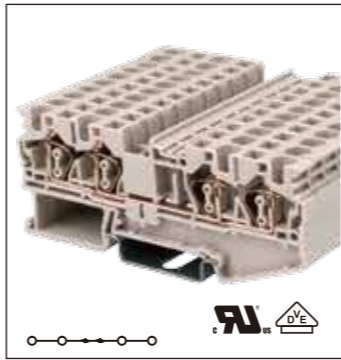
Tool (mm)



AK1.5-TR		
Rated Data	UL	IEC
Rated Voltage (V)	600	630
Rated Current (A)	15	17.5
Rated impulse voltage	8KV	
Wire range (AWG/mm ²)	30~14	0.14~1.5
Connection Capacity		
Max. Solid (mm ²)	1.5	
Max. Stranded (mm ²)	1.5	
General Data		
Stripping length (mm)	10	
Insulation material	PA	
T / W (mm)	4.2 / 72.6	
H / H on TS-35 (mm)	35 / 36.5	
Package	100	
Color	Part number	Package
■	AK1.5-TR-RD	100
■	AK1.5-TR-BL	100
Part number	Package	
AK2.5C-TR	50	
AK2.5CS-R	50	
AK2.5CS-L	50	
AKSPS-004	50	
2 way	DSD01-1.502N	50
3 way	DSD01-1.503N	50
4 way	DSD01-1.504N	50
5 way	DSD01-1.505N	10
10 way	DSD01-1.510N	10
20 way	DSD01-1.520N	10
MKG-001 / MKG-002	200	
TM46W / TM41W	10	
TM-R200 / TM-R100	10	
TS-35	20	
TS-35/15	10	
0.4 x 2.5 DNT11-0102		

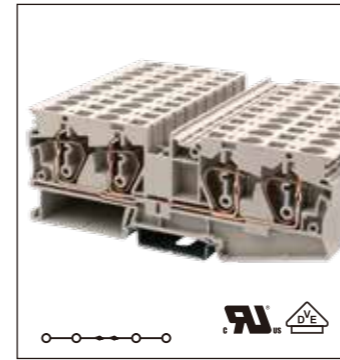


AK2.5-TR		
Rated Data	UL	IEC
Rated Voltage (V)	600	800
Rated Current (A)	18	24
Rated impulse voltage	8KV	
Wire range (AWG/mm ²)	30~12	0.2~2.5
Connection Capacity		
Max. Solid (mm ²)	2.5	
Max. Stranded (mm ²)	2.5	
General Data		
Stripping length (mm)	10	
Insulation material	PA	
T / W (mm)	5.1 / 72.6	
H / H on TS-35 (mm)	35 / 36.5	
Package	50	
Color	Part number	Package
■	AK2.5-TR-RD	50
■	AK2.5-TR-BL	50
Part number	Package	
AK2.5C-TR	50	
AK2.5CS-R	50	
AK2.5CS-L	50	
AKSPS-004	50	
DSD01-2.502N	50	
DSD01-2.503N	50	
DSD01-2.504N	50	
DSD01-2.505N	10	
DSD01-2.510N	10	
DSD01-2.520N	10	
MKG-003 / MKG-004	200	
TM47W / TM42W	10	
TM-R200 / TM-R100	10	
TS-35	20	
TS-35/15	10	
0.6 x 3.5 DNT11-0107		



AK4-TR		
Rated Data	UL	IEC
Rated Voltage (V)	600	800
Rated Current (A)	23	32
Rated impulse voltage	8KV	
Wire range (AWG/mm ²)	28~10	0.2~4
Connection Capacity		
Max. Solid (mm ²)	4	
Max. Stranded (mm ²)	4	
General Data		
Stripping length (mm)	10	
Insulation material	PA	
T / W (mm)	6.1 / 88	
H / H on TS-35 (mm)	35 / 36.5	
Package	50	
Color	Part number	Package
■	AK4-TR-RD	50
■	AK4-TR-BL	50
Part number	Package	
AK4C-TR	50	
AK4CS-R	50	
AK4CS-L	50	
AKSPS-005	50	
DSD01-402N	50	
DSD01-403N	50	
DSD01-404N	50	
DSD01-405N	10	
DSD01-410N	10	
DSD01-420N	10	
MKG-003 / MKG-004	200	
TM48W / TM43W	10	
TM-R200 / TM-R100	10	
TS-35	20	
TS-35/15	10	
0.6 x 3.5 DNT11-0107		

Feed-through 4-Conductor Terminal Blocks



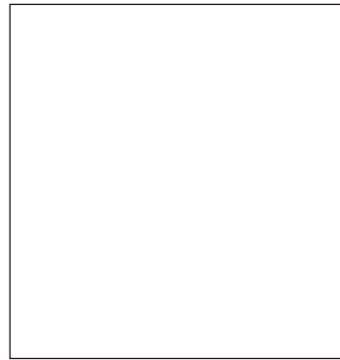
AK6-TR		
Rated Data	UL	IEC
Rated Voltage (V)	600	800
Rated Current (A)	36	41
Rated impulse voltage	8KV	
Wire range (AWG/mm ²)	24~8	0.5~6
Connection Capacity		
Max. Solid (mm ²)	6	
Max. Stranded (mm ²)	6	
General Data		
Stripping length (mm)	12	
Insulation material	PA	
T / W (mm)	8 / 111.5	
H / H on TS-35 (mm)	42 / 43.5	
Package	50	
Color	Part number	Package
■	AK6-TR-RD	50
■	AK6-TR-BL	50
Part number	Package	
AK6C-TR	50	
AK6CS-R	50	
AK6CS-L	50	
DSD01-602N	50	
DSD01-603N	50	
DSD01-604N	50	
DSD01-605N	10	
DSD01-610N	10	
TM49W / TM44W	10	
TM-R200 / TM-R100	10	
TS-35	20	
TS-35/15	10	
0.8 x 4 DNT11-0109		



Rated Data	UL	IEC
Rated Voltage (V)		
Rated Current (A)		
Rated impulse voltage		
Wire range (AWG/mm ²)		
Connection Capacity		
Max. Solid (mm ²)		
Max. Stranded (mm ²)		
General Data		
Stripping length (mm)		
Insulation material		
T / W (mm)		
H / H on TS-35 (mm)		
Package		
Color	Part number	Package
Part number	Package	



Rated Data	UL	IEC
Rated Voltage (V)		
Rated Current (A)		
Rated impulse voltage		
Wire range (AWG/mm ²)		
Connection Capacity		
Max. Solid (mm ²)		
Max. Stranded (mm ²)		
General Data		
Stripping length (mm)		
Insulation material		
T / W (mm)		
H / H on TS-35 (mm)		
Package		
Color	Part number	Package
Part number	Package	



Rated Data	UL	IEC
Rated Voltage (V)		
Rated Current (A)		
Rated impulse voltage		
Wire range (AWG/mm ²)		
Connection Capacity		
Max. Solid (mm ²)		
Max. Stranded (mm ²)		
General Data		
Stripping length (mm)		
Insulation material		
T / W (mm)		
H / H on TS-35 (mm)		
Package		
Color	Part number	Package
Part number	Package	

Spring Clamp Connection

Feed-through Grounding Terminal Blocks

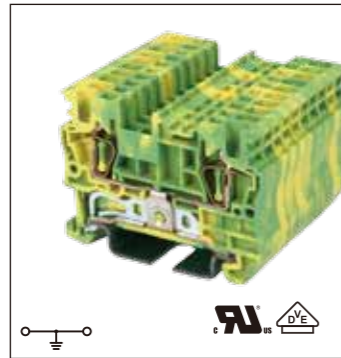


AK...-PE is a grounding terminal block with the same dimensions as the AK series, and fully compliant with UL 1059 and IEC 60947-7-2. This series supports both the mechanical and the electrical functions of a PCTB by using it as a ground (PE) busbar.

AK...-PE

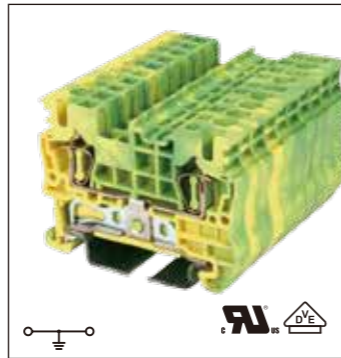
Accessories

End cover	
Marking block	
Marking label (Center / Outer)	
Continuous flat marking label (Center / Outer)	
DIN rail	
Tool (mm)	



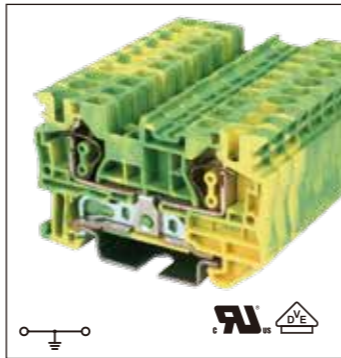
AK1.5-PE		
Rated Data	UL	IEC
Rated Voltage (V)	600	630
Rated Current (A)		
Rated impulse voltage	8KV	
Wire range (AWG/mm ²)	30~14	0.14~1.5
Connection Capacity		
Max. Solid (mm ²)	1.5	
Max. Stranded (mm ²)	1.5	
General Data		
Stripping length (mm)	10	
Insulation material	PA	
T / W (mm)	4.2 / 49	
H / H on TS-35 (mm)	35 / 36.5	
Package	100	

Part number	Package
AK2.5C-YG	50
MKG-001 / MKG-002	200
TM46W / TM41W	10
TM-R200 / TM-R100	10
TS-35	20
TS-35/15	10
0.4 x 2.5 DNT11-0102	



AK2.5-PE		
Rated Data	UL	IEC
Rated Voltage (V)	600	800
Rated Current (A)		
Rated impulse voltage	8KV	
Wire range (AWG/mm ²)	30~12	0.2~2.5
Connection Capacity		
Max. Solid (mm ²)	2.5	
Max. Stranded (mm ²)	2.5	
General Data		
Stripping length (mm)	10	
Insulation material	PA	
T / W (mm)	5.1 / 49	
H / H on TS-35 (mm)	35 / 36.5	
Package	100	

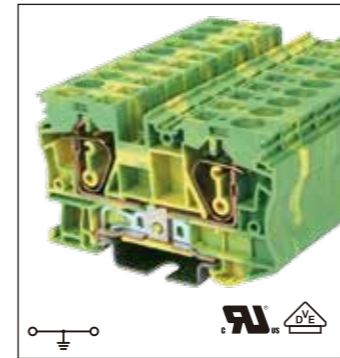
Part number	Package
AK2.5C-YG	50
MKG-003 / MKG-004	200
TM47W / TM42W	10
TM-R200 / TM-R100	10
TS-35	20
TS-35/15	10
0.6 x 3.5 DNT11-0107	



AK4-PE		
Rated Data	UL	IEC
Rated Voltage (V)	600	800
Rated Current (A)		
Rated impulse voltage	8KV	
Wire range (AWG/mm ²)	28~10	0.2~4
Connection Capacity		
Max. Solid (mm ²)	4	
Max. Stranded (mm ²)	4	
General Data		
Stripping length (mm)	10	
Insulation material	PA	
T / W (mm)	6.1 / 57	
H / H on TS-35 (mm)	35.5 / 36.5	
Package	50	

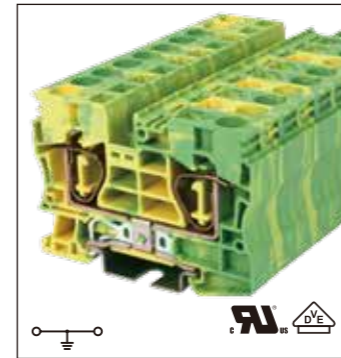
Part number	Package
AK4C-YG	50
MKG-003 / MKG-004	200
TM48W / TM43W	10
TM-R200 / TM-R100	10
TS-35	20
TS-35/15	10
0.6 x 3.5 DNT11-0107	

Feed-through Grounding Terminal Blocks



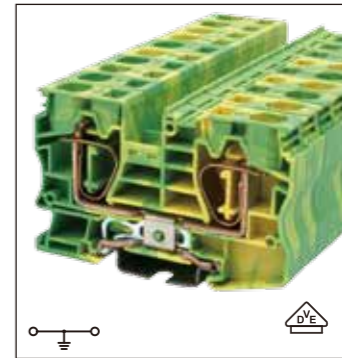
AK6-PE		
Rated Data	UL	IEC
Rated Voltage (V)	600	800
Rated Current (A)		
Rated impulse voltage	8KV	
Wire range (AWG/mm ²)	28~8	0.5~6
Connection Capacity		
Max. Solid (mm ²)	6	
Max. Stranded (mm ²)	6	
General Data		
Stripping length (mm)	12	
Insulation material	PA	
T / W (mm)	8 / 69.8	
H / H on TS-35 (mm)	42 / 43.5	
Package	50	

Part number	Package
AK6C-YG	50
TM49W / TM44W	10
TM-R200 / TM-R100	10
TS-35	20
TS-35/15	10
1.0 x 5.5 DNT11-0111	



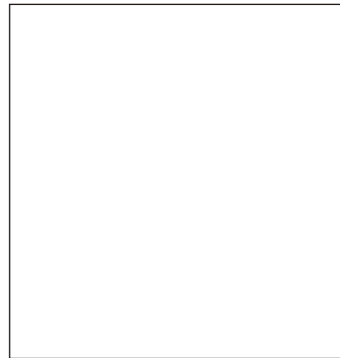
AK10-PE		
Rated Data	UL	IEC
Rated Voltage (V)	600	800
Rated Current (A)		
Rated impulse voltage	8KV	
Wire range (AWG/mm ²)	24~6	1.5~10
Connection Capacity		
Max. Solid (mm ²)	10	
Max. Stranded (mm ²)	10	
General Data		
Stripping length (mm)	18	
Insulation material	PA	
T / W (mm)	10 / 71.1	
H / H on TS-35 (mm)	49.3 / 50.1	
Package	50	

Part number	Package
AK10 C-YG	50
TM50W / TM45W	10
TM-R200 / TM-R100	10
TS-35	20
TS-35/15	10
1.0 x 5.5 DNT11-0111	



AK16-PE		
Rated Data	UL	IEC
Rated Voltage (V)	600	800
Rated Current (A)		
Rated impulse voltage	8KV	
Wire range (AWG/mm ²)	24~4	1.5~16
Connection Capacity		
Max. Solid (mm ²)	16	
Max. Stranded (mm ²)	16	
General Data		
Stripping length (mm)	18	
Insulation material	PA	
T / W (mm)	12 / 80.2	
H / H on TS-35 (mm)	50.4 / 51.6	
Package	50	

Part number	Package
AK16C-YG	50
TM50W / TM45W	10
TM-R200 / TM-R100	10
TS-35	20
TS-35/15	10
1.0 x 5.5 DNT11-0111	



AK1000-PE		
Rated Data	UL	IEC
Rated Voltage (V)	600	1000
Rated Current (A)		
Rated impulse voltage		
Wire range (AWG/mm ²)		
Connection Capacity		
Max. Solid (mm ²)		
Max. Stranded (mm ²)		
General Data		
Stripping length (mm)		
Insulation material		
T / W (mm)		
H / H on TS-35 (mm)		
Package		

Part number	Package

Spring Clamp Connection

3-Conductor Grounding Terminal Blocks

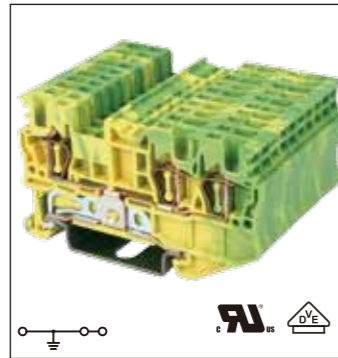


AK..-TN-PE is a grounding terminal block with the same dimensions as the AK series, and fully compliant with UL 1059 and IEC 60947-7-2. This series supports both the mechanical and the electrical functions of a PCTB by using it as a ground (PE) busbar.

AK ..-TN-PE

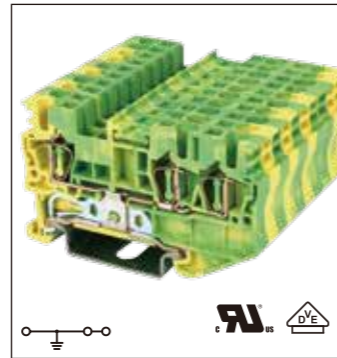
Accessories

- End cover
- Marking block
- Marking label (Center / Outer)
- Continuous flat marking label (Center / Outer)
- DIN rail
- Tool (mm)



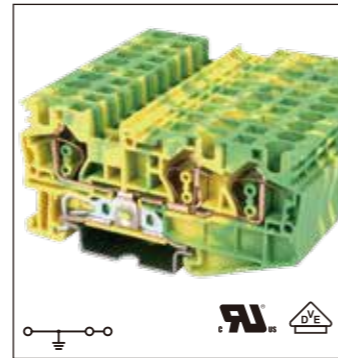
AK1.5-TN-PE		
Rated Data	UL	IEC
Rated Voltage (V)	600	630
Rated Current (A)		
Rated impulse voltage	8KV	
Wire range (AWG/mm ²)	30-14	0.14-1.5
Connection Capacity		
Max. Solid (mm ²)	1.5	
Max. Stranded (mm ²)	1.5	
General Data		
Stripping length (mm)	10	
Insulation material	PA	
T / W (mm)	4.2 / 60.8	
H / H on TS-35 (mm)	35 / 36.5	
Package	50	

Part number	Package
AK2.5C-TN-YG	50
MKG-001 / MKG-002	200
TM46W / TM41W	10
TM-R200 / TM-R100	10
TS-35	20
TS-35/15	10
0.4 x 2.5 DNT11-0102	



AK2.5-TN-PE		
Rated Data	UL	IEC
Rated Voltage (V)	600	800
Rated Current (A)		
Rated impulse voltage	8KV	
Wire range (AWG/mm ²)	30-12	0.2-2.5
Connection Capacity		
Max. Solid (mm ²)	2.5	
Max. Stranded (mm ²)	2.5	
General Data		
Stripping length (mm)	10	
Insulation material	PA	
T / W (mm)	5.1 / 60.8	
H / H on TS-35 (mm)	35 / 36.5	
Package	50	

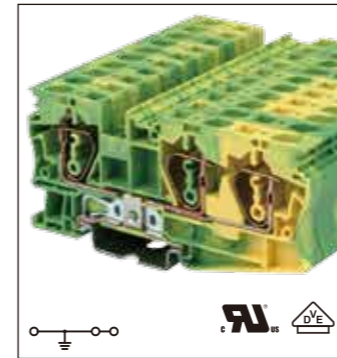
Part number	Package
AK2.5C-TN-YG	50
MKG-003 / MKG-004	200
TM47W / TM42W	10
TM-R200 / TM-R100	10
TS-35	20
TS-35/15	10
0.6 x 3.5 DNT11-0107	



AK4-TN-PE		
Rated Data	UL	IEC
Rated Voltage (V)	600	800
Rated Current (A)		
Rated impulse voltage	8KV	
Wire range (AWG/mm ²)	28-10	0.2-4
Connection Capacity		
Max. Solid (mm ²)	4	
Max. Stranded (mm ²)	4	
General Data		
Stripping length (mm)	10	
Insulation material	PA	
T / W (mm)	6.1 / 72.5	
H / H on TS-35 (mm)	35 / 36.5	
Package	50	

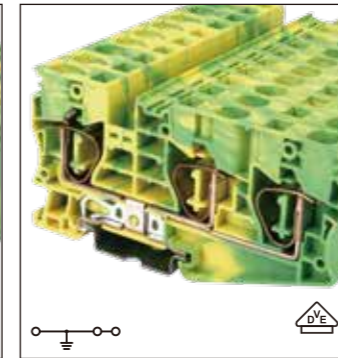
Part number	Package
AK4C-TN-YG	50
MKG-003 / MKG-004	200
TM48W / TM43W	10
TM-R200 / TM-R100	10
TS-35	20
TS-35/15	10
0.6 x 3.5 DNT11-0107	

3-Conductor Grounding Terminal Blocks



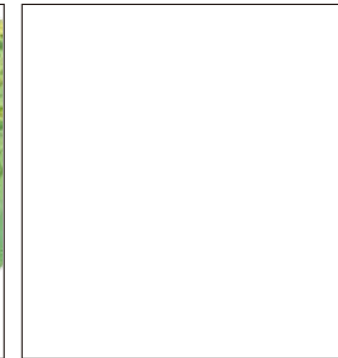
AK6-TN-PE		
Rated Data	UL	IEC
Rated Voltage (V)	600	800
Rated Current (A)		
Rated impulse voltage	8KV	
Wire range (AWG/mm ²)	28-8	0.5-6
Connection Capacity		
Max. Solid (mm ²)	6	
Max. Stranded (mm ²)	6	
General Data		
Stripping length (mm)	12	
Insulation material	PA	
T / W (mm)	8 / 90.8	
H / H on TS-35 (mm)	42 / 43.5	
Package	50	

Part number	Package
AK6C-TN-YG	50
TM49W / TM44W	10
TM-R200 / TM-R100	10
TS-35	20
TS-35/15	10
1.0 x 5.5 DNT11-0111	



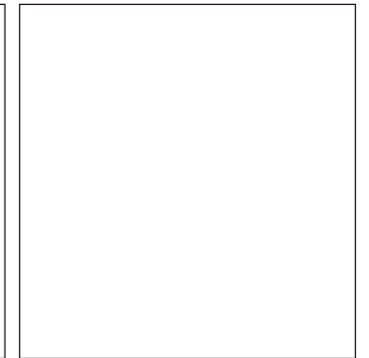
AK10-TN-PE		
Rated Data	UL	IEC
Rated Voltage (V)	600	800
Rated Current (A)		57
Rated impulse voltage	8KV	
Wire range (AWG/mm ²)	24-6	1.5-10
Connection Capacity		
Max. Solid (mm ²)	10	
Max. Stranded (mm ²)	10	
General Data		
Stripping length (mm)	18	
Insulation material	PA	
T / W (mm)	10 / 96.8	
H / H on TS-35 (mm)	49.3 / 50.1	
Package	50	

Part number	Package
AK10C-TN-YG	50
TM50W / TM45W	10
TM-R200 / TM-R100	10
TS-35	20
TS-35/15	10
1.0 x 5.5 DNT11-0111	



Rated Data	UL	IEC
Rated Voltage (V)		
Rated Current (A)		
Rated impulse voltage		
Wire range (AWG/mm ²)		
Connection Capacity		
Max. Solid (mm ²)		
Max. Stranded (mm ²)		
General Data		
Stripping length (mm)		
Insulation material		
T / W (mm)		
H / H on TS-35 (mm)		
Package		

Part number	Package



Rated Data	UL	IEC
Rated Voltage (V)		
Rated Current (A)		
Rated impulse voltage		
Wire range (AWG/mm ²)		
Connection Capacity		
Max. Solid (mm ²)		
Max. Stranded (mm ²)		
General Data		
Stripping length (mm)		
Insulation material		
T / W (mm)		
H / H on TS-35 (mm)		
Package		

Part number	Package

Spring Clamp Connection

4-Conductor Grounding Terminal Blocks

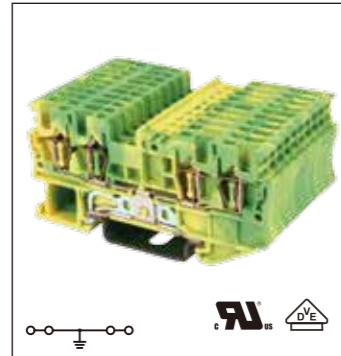


AK..-TR-PE is a grounding terminal block with the same dimensions as the AK series, and fully compliant with UL 1059 and IEC 60947-7-2. This series supports both the mechanical and the electrical functions of a PCTB by using it as a ground (PE) busbar.

AK ..-TR-PE

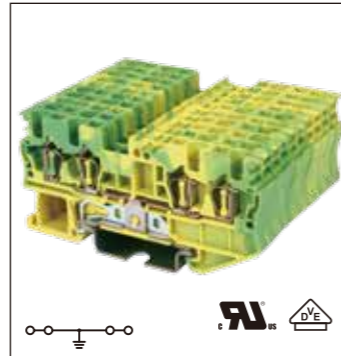
Accessories

- End cover
- Marking block
- Marking label (Center / Outer)
- Continuous flat marking label (Center / Outer)
- DIN rail
- Tool (mm)



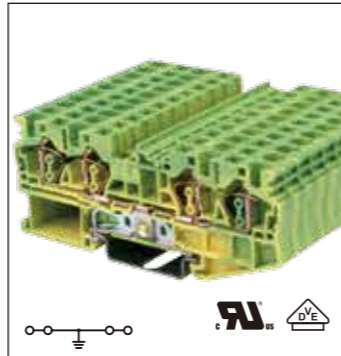
AK1.5-TR-PE			
Rated Data	UL	IEC	
Rated Voltage (V)	600	630	
Rated Current (A)			
Rated impulse voltage	8KV		
Wire range (AWG/mm ²)	30-14	0.14-1.5	
Connection Capacity			
Max. Solid (mm ²)	1.5		
Max. Stranded (mm ²)	1.5		
General Data			
Stripping length (mm)	10		
Insulation material	PA		
T / W (mm)	4.2 / 72.6		
H / H on TS-35 (mm)	35 / 36.5		
Package	100		

Part number	Package
AK2.5C-TR-YG	50
MKG-001 / MKG-002	200
TM46W / TM41W	10
TM-R200 / TM-R100	10
TS-35	20
TS-35/15	10
0.4 x 2.5 DNT11-0102	



AK2.5-TR-PE			
Rated Data	UL	IEC	
Rated Voltage (V)	600	800	
Rated Current (A)			
Rated impulse voltage	8KV		
Wire range (AWG/mm ²)	30-12	0.2-2.5	
Connection Capacity			
Max. Solid (mm ²)	2.5		
Max. Stranded (mm ²)	2.5		
General Data			
Stripping length (mm)	10		
Insulation material	PA		
T / W (mm)	5.1 / 72.6		
H / H on TS-35 (mm)	35 / 36.5		
Package	50		

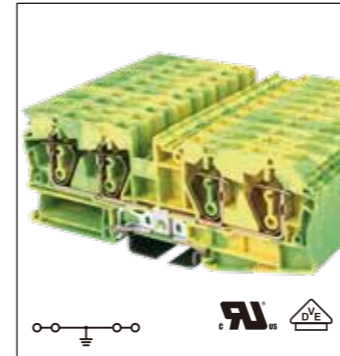
Part number	Package
AK2.5C-TR-YG	50
MKG-003 / MKG-004	200
TM47W / TM42W	10
TM-R200 / TM-R100	10
TS-35	20
TS-35/15	10
0.6 x 3.5 DNT11-0107	



AK4-TR-PE			
Rated Data	UL	IEC	
Rated Voltage (V)	600	800	
Rated Current (A)			
Rated impulse voltage	8KV		
Wire range (AWG/mm ²)	28-10	0.2-4	
Connection Capacity			
Max. Solid (mm ²)	4		
Max. Stranded (mm ²)	4		
General Data			
Stripping length (mm)	10		
Insulation material	PA		
T / W (mm)	6.1 / 88		
H / H on TS-35 (mm)	35 / 36.5		
Package	50		

Part number	Package
AK4C-TR-YG	50
MKG-003 / MKG-004	200
TM48W / TM43W	10
TM-R200 / TM-R100	10
TS-35	20
TS-35/15	10
0.6 x 3.5 DNT11-0107	

4-Conductor Grounding Terminal Blocks



AK6-TR-PE			
Rated Data	UL	IEC	
Rated Voltage (V)	600	800	
Rated Current (A)			
Rated impulse voltage	8KV		
Wire range (AWG/mm ²)	24-8	0.5-6	
Connection Capacity			
Max. Solid (mm ²)	6		
Max. Stranded (mm ²)	6		
General Data			
Stripping length (mm)	12		
Insulation material	PA		
T / W (mm)	8 / 111.8		
H / H on TS-35 (mm)	42 / 43.5		
Package	50		

Part number	Package
AK6C-TR-YG	50
TM49W / TM44W	10
TM-R200 / TM-R100	10
TS-35	20
TS-35/15	10
0.6 x 3.5 DNT11-0107	



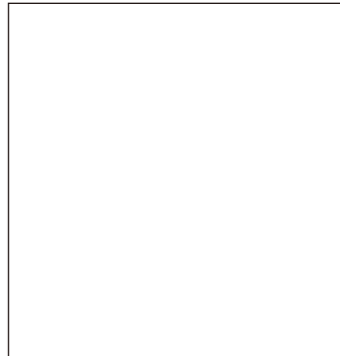
Rated Data	UL	IEC	
Rated Voltage (V)			
Rated Current (A)			
Rated impulse voltage			
Wire range (AWG/mm ²)			
Connection Capacity			
Max. Solid (mm ²)			
Max. Stranded (mm ²)			
General Data			
Stripping length (mm)			
Insulation material			
T / W (mm)			
H / H on TS-35 (mm)			
Package			

Part number	Package



Rated Data	UL	IEC	
Rated Voltage (V)			
Rated Current (A)			
Rated impulse voltage			
Wire range (AWG/mm ²)			
Connection Capacity			
Max. Solid (mm ²)			
Max. Stranded (mm ²)			
General Data			
Stripping length (mm)			
Insulation material			
T / W (mm)			
H / H on TS-35 (mm)			
Package			

Part number	Package

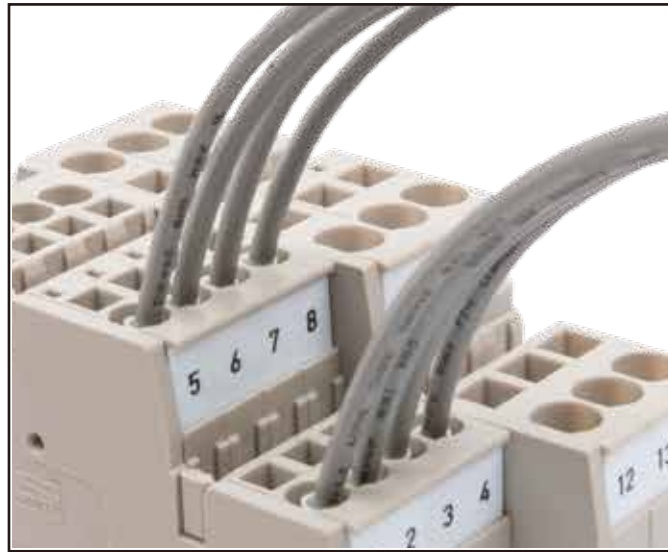


Rated Data	UL	IEC	
Rated Voltage (V)			
Rated Current (A)			
Rated impulse voltage			
Wire range (AWG/mm ²)			
Connection Capacity			
Max. Solid (mm ²)			
Max. Stranded (mm ²)			
General Data			
Stripping length (mm)			
Insulation material			
T / W (mm)			
H / H on TS-35 (mm)			
Package			

Part number	Package

Spring Clamp Connection

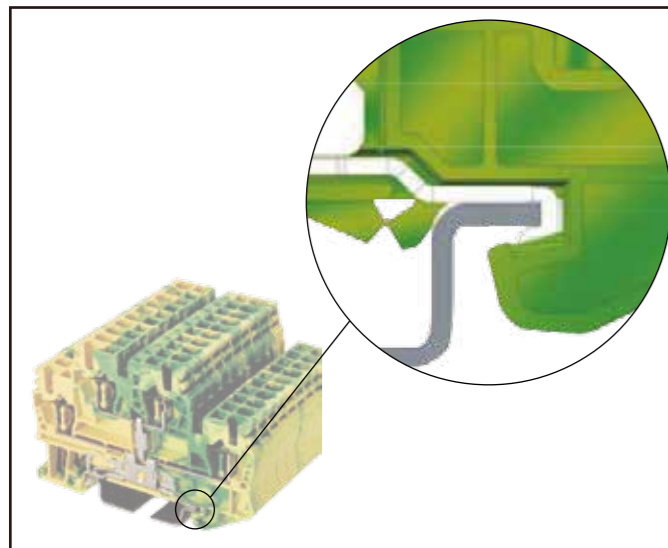
Bi-Level Terminal Blocks



Compact double levels design for high connection density



Easy-fast wiring



Support Grounding



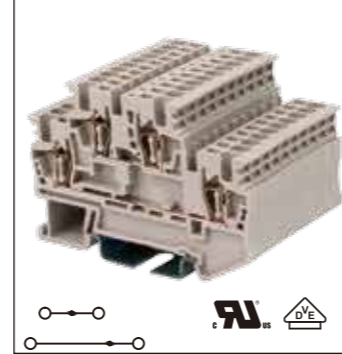
AKK is a double-layer design, with each layer connecting independently. This reduces the installation space requirement by 50%. Each layer can be further bridged in parallel and labeled for identification.

This series supports both the mechanical and the electrical functions of a PCTB by using it as a ground (PE) busbar.

AKK

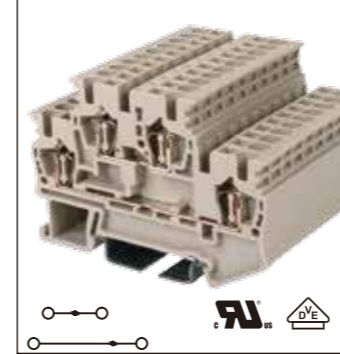
Accessories

End cover	
Plug-in bridge	
2	
3	
4	
5	
10	
20	
Marking label	
Continuous flat marking label	
DIN rail	
Tool (mm)	

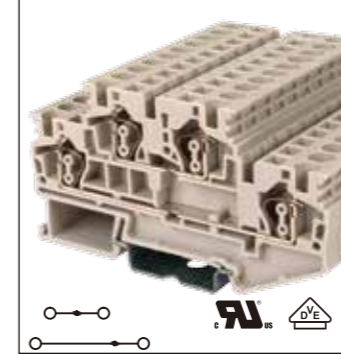


AKK1.5		
Rated Data	UL	IEC
Rated Voltage (V)	300	630
Rated Current (A)	15	17.5
Rated impulse voltage	8KV	
Wire range (AWG/mm ²)	26-14	0.14-1.5
Connection Capacity		
Max. Solid (mm ²)	1.5	
Max. Stranded (mm ²)	1.5	
General Data		
Stripping length (mm)	10	
Insulation material	PA	
T / W (mm)	4.2 / 68	
H / H on TS-35 (mm)	46 / 47.5	
Package	100	
Color	Part number	Package
■	AKK1.5-RD	100
■	AKK1.5-BL	100
Part number	Package	
AKK2.5C	50	
2 way	DSD01-1.502N	50
3 way	DSD01-1.503N	50
4 way	DSD01-1.504N	50
5 way	DSD01-1.505N	10
10 way	DSD01-1.510N	10
20 way	DSD01-1.520N	10
	TM41W	10
	TM-R100	10
	TS-35	20
	TS-35/15	10
	0.4 x 2.5 DNT11-0102	

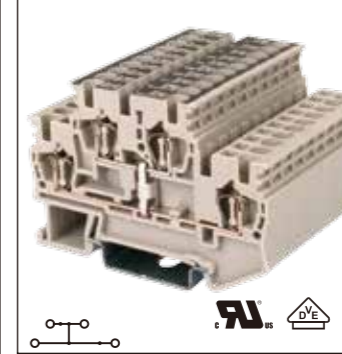
Bi-Level Terminal Blocks



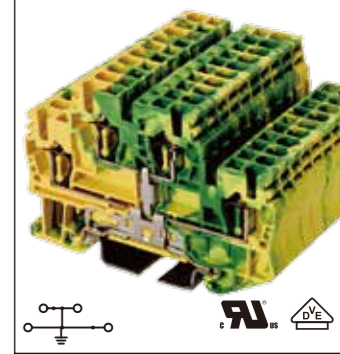
AKK2.5		
Rated Data	UL	IEC
Rated Voltage (V)	300	630
Rated Current (A)	20	20
Rated impulse voltage	8KV	
Wire range (AWG/mm ²)	30-12	0.2-2.5
Connection Capacity		
Max. Solid (mm ²)	2.5	
Max. Stranded (mm ²)	2.5	
General Data		
Stripping length (mm)	10	
Insulation material	PA	
T / W (mm)	5.1 / 68	
H / H on TS-35 (mm)	46 / 47.5	
Package	100	
Color	Part number	Package
■	AKK2.5-RD	100
■	AKK2.5-BL	100
Part number	Package	
AKK2.5C	50	
	DSD01-2.502N	50
	DSD01-2.503N	50
	DSD01-2.504N	50
	DSD01-2.505N	10
	DSD01-2.510N	10
	DSD01-2.520N	10
	TM42W	10
	TM-R100	10
	TS-35	20
	TS-35/15	10
	0.6 x 3.5 DNT11-0107	



AKK4		
Rated Data	UL	IEC
Rated Voltage (V)	300	630
Rated Current (A)	25	28
Rated impulse voltage	8KV	
Wire range (AWG/mm ²)	28-10	0.2-4
Connection Capacity		
Max. Solid (mm ²)	4	
Max. Stranded (mm ²)	4	
General Data		
Stripping length (mm)	10	
Insulation material	PA	
T / W (mm)	6.1 / 86	
H / H on TS-35 (mm)	46 / 47.5	
Package	50	
Color	Part number	Package
■	AKK4-RD	50
■	AKK4-BL	50
Part number	Package	
AKK4C	50	
	DSD01-402N	50
	DSD01-403N	50
	DSD01-404N	50
	DSD01-405N	10
	DSD01-410N	10
	DSD01-420N	10
	TM43W	10
	TM-R100	10
	TS-35	20
	TS-35/15	10
	0.6 x 3.5 DNT11-0107	



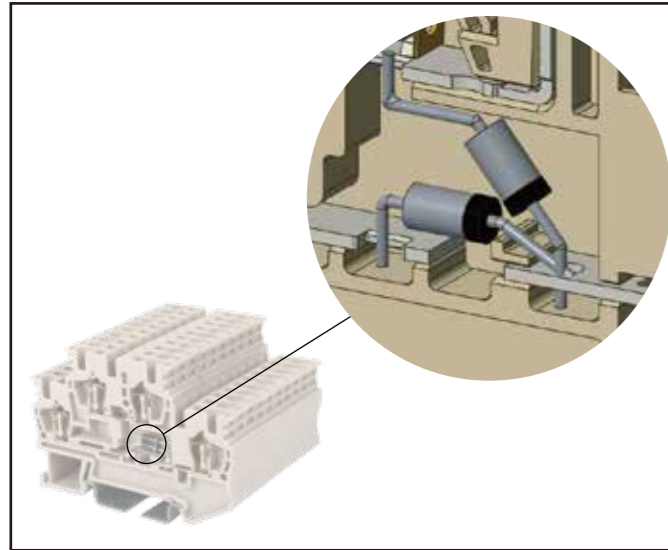
AKK2.5-PV		
Rated Data	UL	IEC
Rated Voltage (V)	300	630
Rated Current (A)	20	20
Rated impulse voltage	8KV	
Wire range (AWG/mm ²)	30-12	0.2-2.5
Connection Capacity		
Max. Solid (mm ²)	2.5	
Max. Stranded (mm ²)	2.5	
General Data		
Stripping length (mm)	10	
Insulation material	PA	
T / W (mm)	5.1 / 68	
H / H on TS-35 (mm)	46 / 47.5	
Package	100	
Color	Part number	Package
■	AKK2.5-PV-RD	100
■	AKK2.5-PV-BL	100
Part number	Package	
AKK2.5C	50	
2 way	DSD01-2.502N	50
3 way	DSD01-2.503N	50
4 way	DSD01-2.504N	50
5 way	DSD01-2.505N	10
10 way	DSD01-2.510N	10
20 way	DSD01-2.520N	10
	TM42W	10
	TM-R100	10
	TS-35	20
	TS-35/15	10
	0.6 x 3.5 DNT11-0107	



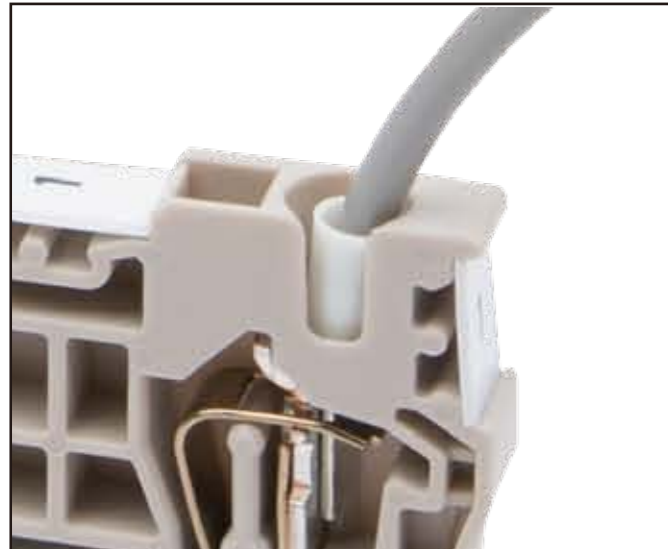
AKK2.5-PE		
Rated Data	UL	IEC
Rated Voltage (V)	300	630
Rated Current (A)	15	17.5
Rated impulse voltage	8KV	
Wire range (AWG/mm ²)	26-14	0.14-1.5
Connection Capacity		
Max. Solid (mm ²)	2.5	
Max. Stranded (mm ²)	2.5	
General Data		
Stripping length (mm)	10	
Insulation material	PA	
T / W (mm)	5.1 / 68	
H / H on TS-35 (mm)	46.5 / 47.5	
Package	100	
Color	Part number	Package
■	AKK2.5C-YG	50
Part number	Package	
AKK2.5C-YG	50	
	TM42W	10
	TM-R100	10
	TS-35	20
	TS-35/15	10
	0.4 x 2.5 DNT11-0102	

Spring Clamp Connection

Bi-Level Diode Terminal Blocks



Support electronic component



Easy-fast wiring



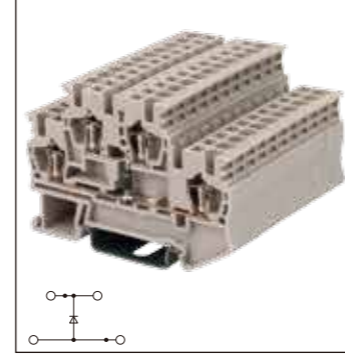
AKK2.5-D is a diode terminal block that is used for fast and reliable protection against reversed currents.

Although standard products can generally be used in AC applications, a more specific approach is required for DC applications, such as photovoltaic applications.

AKK2.5-DXX

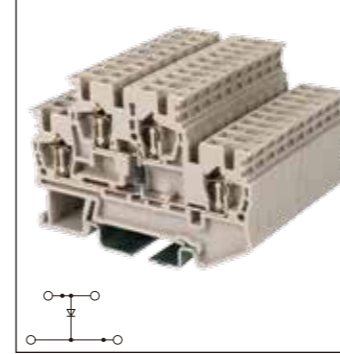
Accessories

End cover	
Plug-in bridge	
2	
3	
4	
5	
10	
20	
Marking label	
Continuous flat marking label	
DIN rail	
Tool (mm)	

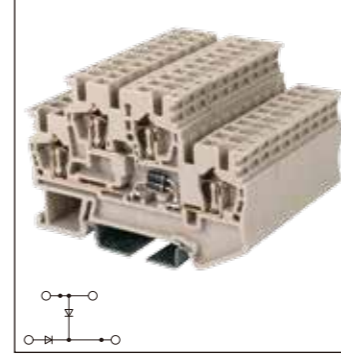


AKK2.5-D01		
Rated Data	UL	IEC
Rated Voltage (V)	250	250
Rated Current (A)	0.5	0.5
Voltage Reversal (V)	1000	1000
Rated impulse voltage	8KV	
Wire range (AWG/mm ²)	30~12	0.2~2.5
Connection Capacity		
Max. Solid (mm ²)	2.5	
Max. Stranded (mm ²)	2.5	
General Data		
Stripping length (mm)	10	
Insulation material	PA	
T / W (mm)	5.1 / 68	
H / H on TS-35 (mm)	46 / 47.5	
Package	100	
Part number	Package	
AKK2.5C	50	
2 way	DSD01-2.502N	50
3 way	DSD01-2.503N	50
4 way	DSD01-2.504N	50
5 way	DSD01-2.505N	10
10 way	DSD01-2.510N	10
20 way	DSD01-2.520N	10
	TM42W	10
	TM-R100	10
	TS-35	20
	TS-35/15	10
0.6 x 3.5 DNT11-0107		

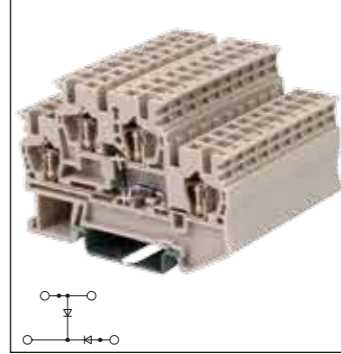
Bi-Level Diode Terminal Blocks



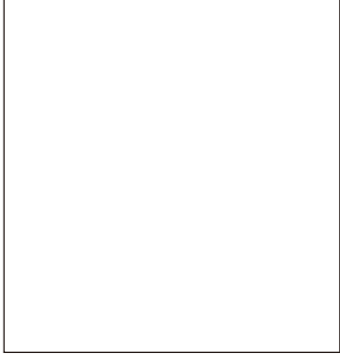
AKK2.5-D02		
Rated Data	UL	IEC
Rated Voltage (V)	250	250
Rated Current (A)	0.5	0.5
Voltage Reversal (V)	1000	1000
Rated impulse voltage	8KV	
Wire range (AWG/mm ²)	30~12	0.2~2.5
Connection Capacity		
Max. Solid (mm ²)	2.5	
Max. Stranded (mm ²)	2.5	
General Data		
Stripping length (mm)	10	
Insulation material	PA	
T / W (mm)	5.1 / 68	
H / H on TS-35 (mm)	46 / 47.5	
Package	100	
Part number	Package	
AKK2.5C	50	
DSD01-2.502N	50	
DSD01-2.503N	50	
DSD01-2.504N	50	
DSD01-2.505N	10	
DSD01-2.510N	10	
DSD01-2.520N	10	
	TM42W	10
	TM-R100	10
	TS-35	20
	TS-35/15	10
0.6 x 3.5 DNT11-0107		



AKK2.5-D03		
Rated Data	UL	IEC
Rated Voltage (V)	250	250
Rated Current (A)	0.5	0.5
Voltage Reversal (V)	1000	1000
Rated impulse voltage	8KV	
Wire range (AWG/mm ²)	30~12	0.2~2.5
Connection Capacity		
Max. Solid (mm ²)	2.5	
Max. Stranded (mm ²)	2.5	
General Data		
Stripping length (mm)	10	
Insulation material	PA	
T / W (mm)	5.1 / 68	
H / H on TS-35 (mm)	46 / 47.5	
Package	100	
Part number	Package	
AKK2.5C	50	
DSD01-2.502N	50	
DSD01-2.503N	50	
DSD01-2.504N	50	
DSD01-2.505N	10	
DSD01-2.510N	10	
DSD01-2.520N	10	
	TM42W	10
	TM-R100	10
	TS-35	20
	TS-35/15	10
0.6 x 3.5 DNT11-0107		



AKK2.5-D04		
Rated Data	UL	IEC
Rated Voltage (V)	250	250
Rated Current (A)	0.5	0.5
Voltage Reversal (V)	1000	1000
Rated impulse voltage	8KV	
Wire range (AWG/mm ²)	30~12	0.2~2.5
Connection Capacity		
Max. Solid (mm ²)	2.5	
Max. Stranded (mm ²)	2.5	
General Data		
Stripping length (mm)	10	
Insulation material	PA	
T / W (mm)	5.1 / 68	
H / H on TS-35 (mm)	46 / 47.5	
Package	100	
Part number	Package	
AKK2.5C	50	
2 way	DSD01-2.502N	50
3 way	DSD01-2.503N	50
4 way	DSD01-2.504N	50
5 way	DSD01-2.505N	10
10 way	DSD01-2.510N	10
20 way	DSD01-2.520N	10
	TM42W	10
	TM-R100	10
	TS-35	20
	TS-35/15	10
0.6 x 3.5 DNT11-0107		



Rated Data	UL	IEC
Rated Voltage (V)		
Rated Current (A)		
Voltage Reversal (V)		
Rated impulse voltage		
Wire range (AWG/mm ²)		
Connection Capacity		
Max. Solid (mm ²)		
Max. Stranded (mm ²)		
General Data		
Stripping length (mm)		
Insulation material		
T / W (mm)		
H / H on TS-35 (mm)		
Package		
Part number	Package	

Spring Clamp Connection

AK Fuse/Knife and Disconnect Terminal Blocks Introduction



Disconnect terminal blocks perform an important function in applications of measurement, regulation and control systems in order to quickly detect fault points and check status under zero voltage conditions.

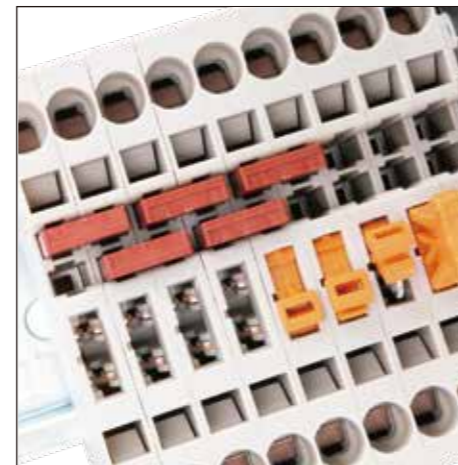
User-friendly disconnect knife with low contact resistance and high current-carrying capacity saves application space.



Three kinds of knife design available; AKP-TP and AKP-TG are able to connect and disconnect connection quickly. AKP-CP is able to be equipped with diodes, resistors or other components to meet requests from various circuit tests.



Fuse and disconnect terminal blocks support cartridge fuse and 5V~300V two-way LED indicator which is for different current direction identification.



With 2 bridging slots design, any numbers of terminal block can be connected to short-circuit and configuration through 2P plug-in bridge. Continuous flat marking label provides clear identification and offers easy installation.

Knife and Disconnect Terminal Blocks



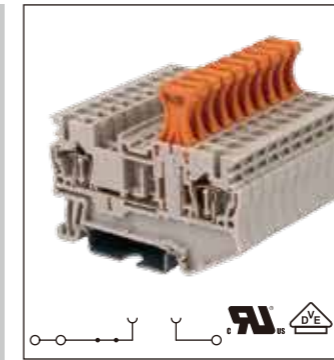
AK2.5-T series is a design with a universal socket on the top, which facilitates the insertion of different kinds of isolation plug, feed-through connectors and component connectors to carry out the disconnect function.

A complete range of accessories is available for easy identification, grouping and plug-in bridge applications.

AK2.5..T

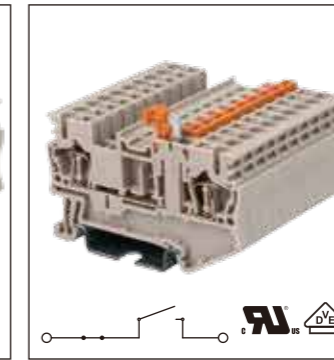
Accessories

End cover	
Partition plate	
Plug-in bridge	
2	
3	
4	
5	
10	
20	
Marking label (Center / Outer)	
Continuous flat marking label (Center / Outer)	
DIN rail	
Tool (mm)	



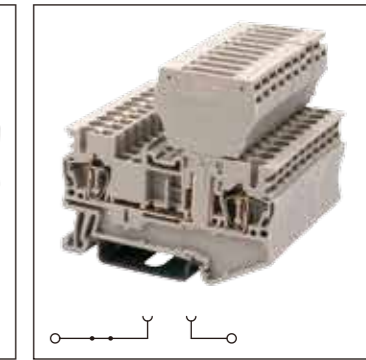
AK2.5-TP		
Rated Data	UL	IEC
Rated Voltage (V)	300	400
Rated Current (A)	16	21
Rated impulse voltage	6KV	
Wire range (AWG/mm ²)	28-12	0.2-2.5
Connection Capacity		
Max. Solid (mm ²)	2.5	
Max. Stranded (mm ²)	2.5	
General Data		
Stripping length (mm)	10	
Insulation material	PA	
T / W (mm)	5.1 / 60.8	
H / H on TS-35 (mm)	49.1 / 50.6	
Package	100	

Color	Part number	Package
■	AK2.5-TP-RD	100
■	AK2.5-TP-BL	100
Part number		
	AK2.5C-TN	50
	AKSPS-003	50
2 way	DSD01-2.502N	50
3 way	DSD01-2.503N	50
4 way	DSD01-2.504N	50
5 way	DSD01-2.505N	10
10 way	DSD01-2.510N	10
20 way	DSD01-2.520N	10
	TM47W / TM42W	10
	TM-R200 / TM-R100	10
	TS-35	20
	TS-35/15	10
	0.6 x 3.5 DNT11-0107	



AK2.5-TG		
Rated Data	UL	IEC
Rated Voltage (V)	300	400
Rated Current (A)	16	21
Rated impulse voltage	6KV	
Wire range (AWG/mm ²)	28-12	0.2-2.5
Connection Capacity		
Max. Solid (mm ²)	2.5	
Max. Stranded (mm ²)	2.5	
General Data		
Stripping length (mm)	10	
Insulation material	PA	
T / W (mm)	5.1 / 60.8	
H / H on TS-35 (mm)	36.7 / 38.2	
Package	50	

Color	Part number	Package
■	AK2.5-TG-RD	50
■	AK2.5-TG-BL	50
Part number		
	AK2.5C-TN	50
	AKSPS-003	50
2 way	DSD01-2.502N	50
3 way	DSD01-2.503N	50
4 way	DSD01-2.504N	50
5 way	DSD01-2.505N	10
10 way	DSD01-2.510N	10
20 way	DSD01-2.520N	10
	TM47W / TM42W	10
	TM-R200 / TM-R100	10
	TS-35	20
	TS-35/15	10
	0.6 x 3.5 DNT11-0107	



AK2.5-CP		
Rated Data	UL	IEC
Rated Voltage (V)	300	400
Rated Current (A)	6	6
Rated impulse voltage	6KV	
Wire range (AWG/mm ²)	28-12	0.2-2.5
Connection Capacity		
Max. Solid (mm ²)	4	
Max. Stranded (mm ²)	2.5	
General Data		
Stripping length (mm)	10	
Insulation material	PA	
T / W (mm)	5.1 / 60.8	
H / H on TS-35 (mm)	56.5 / 58	
Package	50	

Color	Part number	Package
■	AK2.5-CP-RD	50
■	AK2.5-CP-BL	50
Part number		
	AK2.5C-TN	50
	AKSPS-003	50
2 way	DSD01-2.502N	50
3 way	DSD01-2.503N	50
4 way	DSD01-2.504N	50
5 way	DSD01-2.505N	10
10 way	DSD01-2.510N	10
20 way	DSD01-2.520N	10
	TM47W / TM42W	10
	TM-R200 / TM-R100	10
	TS-35	20
	TS-35/15	10
	0.6 x 3.5 DNT11-0107	

Knife and Disconnect Terminal Blocks



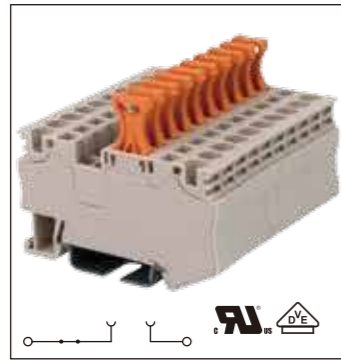
AK4-T series is a design with a universal socket on the top, which facilitates the insertion of different kinds of isolation plug, feed-through connectors and component connectors to carry out the disconnect function.

A complete range of accessories is available for easy identification, grouping and plug-in bridge applications.

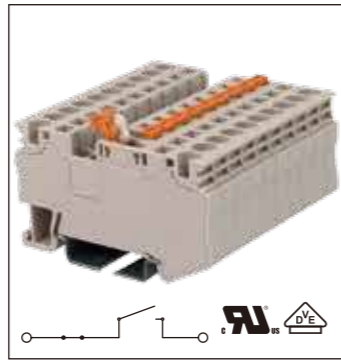
AK 4..

Accessories

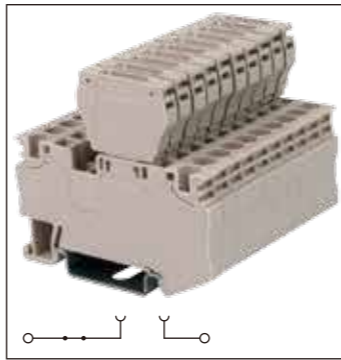
- Partition plate
- Plug-in bridge
 - 2
 - 3
 - 4
 - 5
 - 10
 - 20
- Marking label
- Continuous flat marking label
- DIN rail
- Tool (mm)



AK4-TP		
Rated Data	UL	IEC
Rated Voltage (V)	300	400
Rated Current (A)	20	30
Rated impulse voltage	6KV	
Wire range (AWG/mm ²)	28-10	0.2-4
Connection Capacity		
Max. Solid (mm ²)	1.5	
Max. Stranded (mm ²)	1.5	
General Data		
Stripping length (mm)	10	
Insulation material	PA	
T / W (mm)	6.1 / 61.8	
H / H on TS-35 (mm)	49.1 / 50.6	
Package	50	
Color	Part number	Package
■	AK4-TP-RD	50
■	AK4-TP-BL	50
Part number	Package	
AKSPS-003	50	
DSD01-402N	50	
DSD01-403N	50	
DSD01-404N	50	
DSD01-405N	10	
DSD01-410N	10	
DSD01-420N	10	
TM43W	10	
TM-R100	10	
TS-35	20	
TS-35/15	10	
0.6 x 3.5 DNT11-0107		



AK4-TG		
Rated Data	UL	IEC
Rated Voltage (V)	300	400
Rated Current (A)	20	30
Rated impulse voltage	6KV	
Wire range (AWG/mm ²)	28-10	0.2-4
Connection Capacity		
Max. Solid (mm ²)	1.5	
Max. Stranded (mm ²)	1.5	
General Data		
Stripping length (mm)	10	
Insulation material	PA	
T / W (mm)	6.1 / 61.8	
H / H on TS-35 (mm)	36.7 / 38.2	
Package	50	
Color	Part number	Package
■	AK4-TG-RD	50
■	AK4-TG-BL	50
Part number	Package	
AKSPS-003	50	
DSD01-402N	50	
DSD01-403N	50	
DSD01-404N	50	
DSD01-405N	10	
DSD01-410N	10	
DSD01-420N	10	
TM43W	10	
TM-R100	10	
TS-35	20	
TS-35/15	10	
0.6 x 3.5 DNT11-0107		



AK4-CP		
Rated Data	UL	IEC
Rated Voltage (V)	300	400
Rated Current (A)	6	6
Rated impulse voltage	6KV	
Wire range (AWG/mm ²)	28-10	0.2-6
Connection Capacity		
Max. Solid (mm ²)	1.5	
Max. Stranded (mm ²)	1.5	
General Data		
Stripping length (mm)	10	
Insulation material	PA	
T / W (mm)	6.1 / 61.8	
H / H on TS-35 (mm)	56.5 / 58	
Package	100	
Color	Part number	Package
■	AK4-CP-RD	100
■	AK4-CP-BL	100
Part number	Package	
AKSPS-003	50	
DSD01-402N	50	
DSD01-403N	50	
DSD01-404N	50	
DSD01-405N	10	
DSD01-410N	10	
DSD01-420N	10	
TM43W	10	
TM-R100	10	
TS-35	20	
TS-35/15	10	
0.6 x 3.5 DNT11-0107		

3-Conductor Knife and Disconnect Terminal Blocks



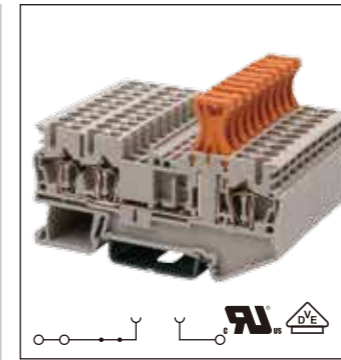
AK2.5-TN-T series is a design with a universal socket on the top, which facilitates the insertion of different kinds of isolation plug, feed-through connectors and component connectors to carry out the disconnect function.

A complete range of accessories is available for easy identification, grouping and plug-in bridge applications.

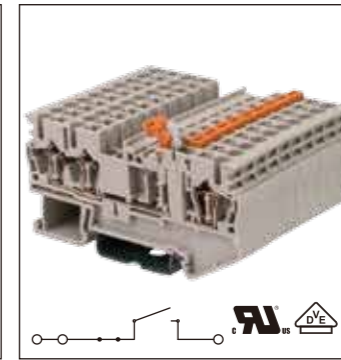
AK 2.5-TN-..

Accessories

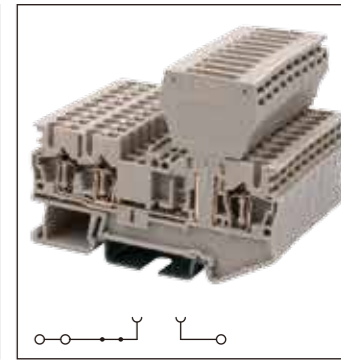
- End cover
- Partition plate
- Plug-in bridge
 - 2
 - 3
 - 4
 - 5
 - 10
 - 20
- Marking label (Center / Outer)
- Continuous flat marking label (Center / Outer)
- DIN rail
- Tool (mm)



AK2.5-TN-TP		
Rated Data	UL	IEC
Rated Voltage (V)	300	400
Rated Current (A)	16	21
Rated impulse voltage	6KV	
Wire range (AWG/mm ²)	28-12	0.2-2.5
Connection Capacity		
Max. Solid (mm ²)	1.5	
Max. Stranded (mm ²)	1.5	
General Data		
Stripping length (mm)	10	
Insulation material	PA	
T / W (mm)	5.1 / 72.6	
H / H on TS-35 (mm)	49.1 / 50.6	
Package	100	
Color	Part number	Package
■	AK2.5-TN-TP-RD	100
■	AK2.5-TN-TP-BL	100
Part number	Package	
AKSPS-004	50	
2 way DSD01-2.502N	50	
3 way DSD01-2.503N	50	
4 way DSD01-2.504N	50	
5 way DSD01-2.505N	10	
10 way DSD01-2.510N	10	
20 way DSD01-2.520N	10	
TM47W / TM42W	10	
TM-R200 / TM-R100	10	
TS-35	20	
TS-35/15	10	
0.6 x 3.5 DNT11-0107		



AK2.5-TN-TG		
Rated Data	UL	IEC
Rated Voltage (V)	300	400
Rated Current (A)	16	21
Rated impulse voltage	6KV	
Wire range (AWG/mm ²)	28-12	0.2-2.5
Connection Capacity		
Max. Solid (mm ²)	1.5	
Max. Stranded (mm ²)	1.5	
General Data		
Stripping length (mm)	10	
Insulation material	PA	
T / W (mm)	5.1 / 72.6	
H / H on TS-35 (mm)	36.7 / 38.2	
Package	50	
Color	Part number	Package
■	AK2.5-TN-TG-RD	50
■	AK2.5-TN-TG-BL	50
Part number	Package	
AKSPS-004	50	
2 way DSD01-2.502N	50	
3 way DSD01-2.503N	50	
4 way DSD01-2.504N	50	
5 way DSD01-2.505N	10	
10 way DSD01-2.510N	10	
20 way DSD01-2.520N	10	
TM47W / TM42W	10	
TM-R200 / TM-R100	10	
TS-35	20	
TS-35/15	10	
0.6 x 3.5 DNT11-0107		



AK2.5-TN-CP		
Rated Data	UL	IEC
Rated Voltage (V)	300	400
Rated Current (A)	6	6
Rated impulse voltage	6KV	
Wire range (AWG/mm ²)	28-12	0.2-4
Connection Capacity		
Max. Solid (mm ²)	1.5	
Max. Stranded (mm ²)	1.5	
General Data		
Stripping length (mm)	10	
Insulation material	PA	
T / W (mm)	5.1 / 72.6	
H / H on TS-35 (mm)	56.5 / 58	
Package	100	
Color	Part number	Package
■	AK2.5-TN-CP-RD	100
■	AK2.5-TN-CP-BL	100
Part number	Package	
AKSPS-004	50	
2 way DSD01-2.502N	50	
3 way DSD01-2.503N	50	
4 way DSD01-2.504N	50	
5 way DSD01-2.505N	10	
10 way DSD01-2.510N	10	
20 way DSD01-2.520N	10	
TM47W / TM42W	10	
TM-R200 / TM-R100	10	
TS-35	20	
TS-35/15	10	
0.6 x 3.5 DNT11-0107		

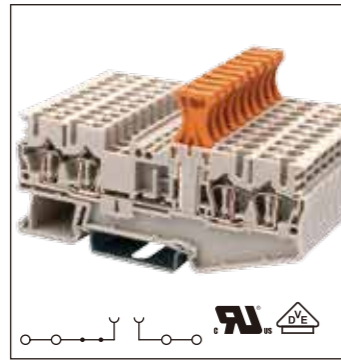
4-Conductor Knife and Disconnect Terminal Blocks



AK2.5-TR-T series is a design with a universal socket on the top, which facilitates the insertion of different kinds of isolation plug, feed-through connectors and component connectors to carry out the disconnect function.

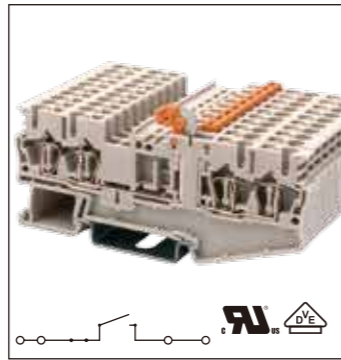
A complete range of accessories is available for easy identification, grouping and plug-in bridge applications.

AK2.5-TR-...



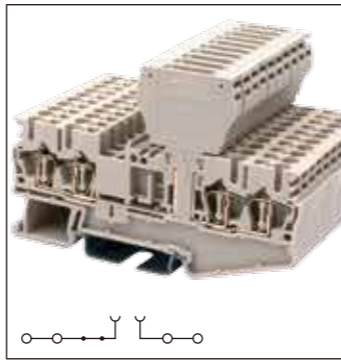
AK2.5-TR-TP			
Rated Data	UL	IEC	
Rated Voltage (V)	300	400	
Rated Current (A)	16	21	
Rated impulse voltage	6KV		
Wire range (AWG/mm ²)	28-12	0.2-2.5	
Connection Capacity			
Max. Solid (mm ²)	1.5		
Max. Stranded (mm ²)	1.5		
General Data			
Stripping length (mm)	10		
Insulation material	PA		
T / W (mm)	5.1 / 84.4		
H / H on TS-35 (mm)	49.1 / 50.6		
Package	100		

Color	Part number	Package
■	AK2.5-TR-TP-RD	100
■	AK2.5-TR-TP-BL	100
Part number Package		
	AK2.5C-TR-T	50
	DSD01-2.502N	50
	DSD01-2.503N	50
	DSD01-2.504N	50
	DSD01-2.505N	10
	DSD01-2.510N	10
	DSD01-2.520N	10
	TM47W / TM42W	10
	TM-R200 / TM-R100	10
	TS-35	20
	TS-35/15	10
	0.6 x 3.5 DNT11-0107	



AK2.5-TR-TG			
Rated Data	UL	IEC	
Rated Voltage (V)	300	400	
Rated Current (A)	16	21	
Rated impulse voltage	6KV		
Wire range (AWG/mm ²)	28-12	0.2-2.5	
Connection Capacity			
Max. Solid (mm ²)	1.5		
Max. Stranded (mm ²)	1.5		
General Data			
Stripping length (mm)	10		
Insulation material	PA		
T / W (mm)	5.1 / 84.4		
H / H on TS-35 (mm)	36.7 / 38.2		
Package	50		

Color	Part number	Package
■	AK2.5-TR-TG-RD	50
■	AK2.5-TR-TG-BL	50
Part number Package		
	AK2.5C-TR-T	50
	DSD01-2.502N	50
	DSD01-2.503N	50
	DSD01-2.504N	50
	DSD01-2.505N	10
	DSD01-2.510N	10
	DSD01-2.520N	10
	TM47W / TM42W	10
	TM-R200 / TM-R100	10
	TS-35	20
	TS-35/15	10
	0.6 x 3.5 DNT11-0107	



AK2.5-TR-CP			
Rated Data	UL	IEC	
Rated Voltage (V)	300	400	
Rated Current (A)	6	6	
Rated impulse voltage	6KV		
Wire range (AWG/mm ²)	28-12	0.2-4	
Connection Capacity			
Max. Solid (mm ²)	1.5		
Max. Stranded (mm ²)	1.5		
General Data			
Stripping length (mm)	10		
Insulation material	PA		
T / W (mm)	5.1 / 84.4		
H / H on TS-35 (mm)	56.5 / 58		
Package	100		

Color	Part number	Package
■	AK2.5-TR-CP-RD	100
■	AK2.5-TR-CP-BL	100
Part number Package		
	AK2.5C-TR-T	50
	DSD01-2.502N	50
	DSD01-2.503N	50
	DSD01-2.504N	50
	DSD01-2.505N	10
	DSD01-2.510N	10
	DSD01-2.520N	10
	TM47W / TM42W	10
	TM-R200 / TM-R100	10
	TS-35	20
	TS-35/15	10
	0.6 x 3.5 DNT11-0107	

Accessories

- End cover
- Plug-in bridge
- 2
- 3
- 4
- 5
- 10
- 20
- Marking label (Center / Outer)
- Continuous flat marking label (Center / Outer)
- DIN rail
- Tool (mm)

Fuse Disconnect Terminal Blocks



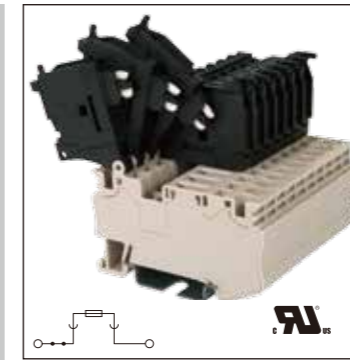
Fuse and disconnect terminal blocks can utilize the standard 5X20mm fuse holder. The fuse holder can be lifted for quick fuse replacement in the compartment. The product takes the advantages of simple power distribution and easy fuse insertion.

Fuse is excluded in the standard part number.

AK 4.-TF-..

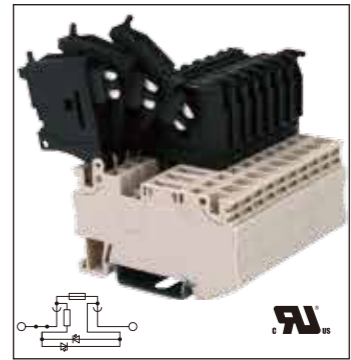
Accessories

- Partition plate
- Plug-in bridge
- 2
- 3
- 4
- 5
- 10
- 20
- Fuse
- Marking label
- Continuous flat marking label
- DIN rail
- Tool (mm)



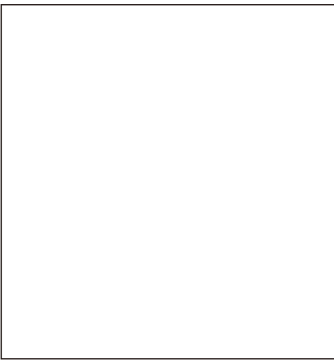
AK4-TF(5X20)			
Rated Data	UL	IEC	
Rated Voltage (V)	300		
Rated Current (A)	11		
Rated impulse voltage	6KV		
Wire range (AWG/mm ²)	28-10	0.2-6	
Connection Capacity			
Max. Solid (mm ²)	1.5		
Max. Stranded (mm ²)	1.5		
General Data			
Stripping length (mm)	10		
Insulation material	PA		
T / W (mm)	6.1 / 61.8		
H / H on TS-35 (mm)	63.1 / 64.6		
Package	100		

Color	Part number	Package
■	AK4-TF(5X20)-RD	100
■	AK4-TF(5X20)-BL	100
Part number Package		
	AKSPS-003	50
	DSD01-402N	50
	DSD01-403N	50
	DSD01-404N	50
	DSD01-405N	10
	DSD01-410N	10
	DSD01-420N	10
	FUK1A-01	50
	FUK2A-01	50
	FUK6.3A-01	50
	TM43W	10
	TM-R100	10
	TS-35	20
	TS-35/15	10
	0.6 x 3.5 DNT11-0107	



AK4-TFLXX(5X20)			
Rated Data	UL	IEC	
Rated Voltage (V)	300		
Rated Current (A)	11		
Rated impulse voltage	6KV		
Wire range (AWG/mm ²)	28-10	0.2-6	
Connection Capacity			
Max. Solid (mm ²)	1.5		
Max. Stranded (mm ²)	1.5		
General Data			
Stripping length (mm)	10		
Insulation material	PA		
T / W (mm)	6.1 / 61.8		
H / H on TS-35 (mm)	63.1 / 64.6		
Package	100		

Color	Part number	Package
■	AK4-TFLXX(5X20)-RD	100
■	AK4-TFLXX(5X20)-BL	100
Part number Package		
	AKSPS-003	50
	DSD01-402N	50
	DSD01-403N	50
	DSD01-404N	50
	DSD01-405N	10
	DSD01-410N	10
	DSD01-420N	10
	FUK1A-01	50
	FUK2A-01	50
	FUK6.3A-01	50
	TM43W	10
	TM-R100	10
	TS-35	20
	TS-35/15	10
	0.6 x 3.5 DNT11-0107	



AK4-TFL300(5X20)			
Rated Data	UL	IEC	
Rated Voltage (V)		300V	
Rated Current (A)		300A	
Rated impulse voltage		6KV	
Wire range (AWG/mm ²)		0.2-6	
Connection Capacity			
Max. Solid (mm ²)		1.5	
Max. Stranded (mm ²)		1.5	
General Data			
Stripping length (mm)		10	
Insulation material		PA	
T / W (mm)		6.1 / 61.8	
H / H on TS-35 (mm)		63.1 / 64.6	
Package		100	

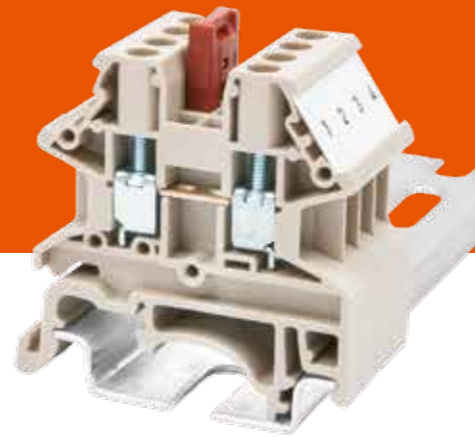
Color	Part number	Package
■	AK4-TFL300(5X20)-RD	100
■	AK4-TFL300(5X20)-BL	100
Part number Package		
	AKSPS-003	50
	DSD01-402N	50
	DSD01-403N	50
	DSD01-404N	50
	DSD01-405N	10
	DSD01-410N	10
	DSD01-420N	10
	FUK1A-01	50
	FUK2A-01	50
	FUK6.3A-01	50
	TM43W	10
	TM-R100	10
	TS-35	20
	TS-35/15	10
	0.6 x 3.5 DNT11-0107	

* AK4-TFLXX(5X20) with LED display.

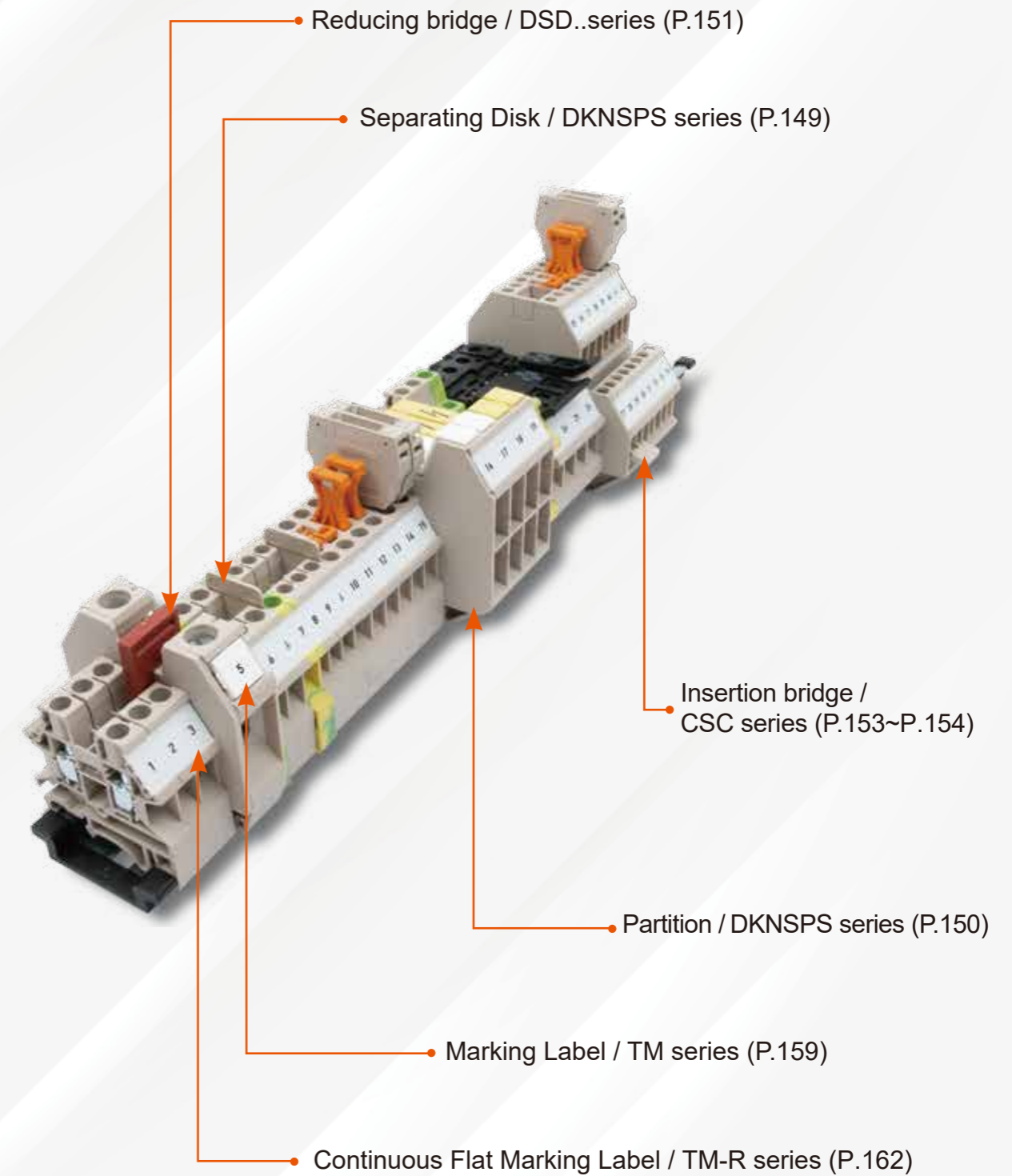
Part number	LED	Voltage
AK4-TFL5(5X20)	with LED light	5V
AK4-TFL12(5X20)	with LED light	12V
AK4-TFL24(5X20)	with LED light	24V
AK4-TFL48(5X20)	with LED light	48V
AK4-TFL110(5X20)	with LED light	110V
AK4-TFL220(5X20)	with LED light	220V
AK4-TFL300(5X20)	with LED light	300V

Spring Clamp Connection

Screw Connection Terminal Block



- Potential power distribution can be arranged using various plug-in, insertion and screw-on bridges.
- IEC 60947-7-1 & UL 1059 compliance.



Feed-through Terminal Blocks

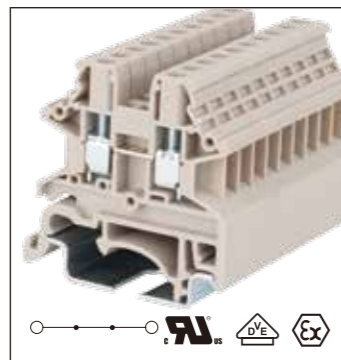


DK..N series is a screw type terminal block, which wireage is designed for large wiring contact, vibration proof and high reliability, suitable for wire sizes from 2.5 mm² to 35mm². Power distribution can be adjusted by using plug-in bridge on the top and insertion bridge on the side. Various accessories is available for identification and bridging applications.

DK..N

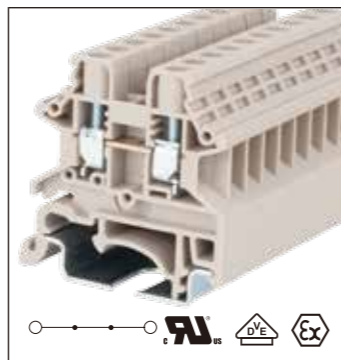
Accessories

- End cover
- Partition plate
- Separating disk
- Plug-in bridge
 - 2
 - 3
 - 4
 - 5
 - 10
 - 20
- Plug-in bridge
 - 2
 - 3
 - 4
 - 5
- Insertion bridge
 - 2
 - 3
 - 4
 - 5
 - 10
- Reducing bridge
- Test plug
- Lever
- Safety cap
- Marking label
- Continuous flat marking label
- DIN rail
- Tool (mm)



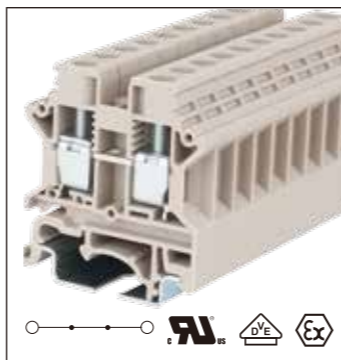
DK2.5N			
Rated Data	UL	IEC	
Rated Voltage (V)	600	600	1000
Rated Current (A)	20	24	24
Rated impulse voltage	8KV		
Wire range (AWG/mm ²)	22~12	0.34~2.5	
Connection Capacity			
Max. Solid (mm ²)	4		
Max. Stranded (mm ²)	2.5		
General Data			
Torque (N.m)	0.4	0.4	
Screw thread	M2.5		
Stripping length (mm)	9~11		
Insulation material	PA		
T / W (mm)	5.1 / 40.7		
H / H on TS-35	39.6 / 41.8		
Package	100		

Color	Part number	Package
■	DK2.5N-RD	100
■	DK2.5N-BL	100
Part number	Package	
DK4NC	50	
DK4NCA	50	
DKNSPS-005	50	
DKNSPS-008	50	
DKNSPS-001	50	
DSS2.5N-02P	50	
DSS2.5N-03P	50	
DSS2.5N-04P	50	
DSS2.5N-05P	10	
DSS2.5N-10P	10	
DSS2.5N-20P	10	
DSS2.5N-6688-02P	50	
DSS2.5N-6688-03P	10	
DSS2.5N-6688-04P	10	
DSS2.5N-6688-05P	10	
CSC-2.502PN	50	
CSC-2.503PN	50	
CSC-2.504PN	50	
CSC-2.505PN	10	
CSC-2.510PN	10	
DSD02-2.5/6	50	
DSD02-2.5/10	50	
DSD02-2.5/16	50	
0175-T002		
0175L1		
DK2.5N-KP	50	
DK2.5N-KP(Y)	50	
TM47W	10	
TM-R200	10	
TS-35	20	
TS-35/15	10	
#0 / 3.0 DNT11-0201		



DK4N			
Rated Data	UL	IEC	
Rated Voltage (V)	600	600	1000
Rated Current (A)	30	32	32
Rated impulse voltage	8KV		
Wire range (AWG/mm ²)	22~10	0.34~4	
Connection Capacity			
Max. Solid (mm ²)	6		
Max. Stranded (mm ²)	4		
General Data			
Torque (N.m)	0.6	0.5	
Screw thread	M3		
Stripping length (mm)	9~11		
Insulation material	PA		
T / W (mm)	6.1 / 40.7		
H / H on TS-35	39.6 / 41.8		
Package	100		

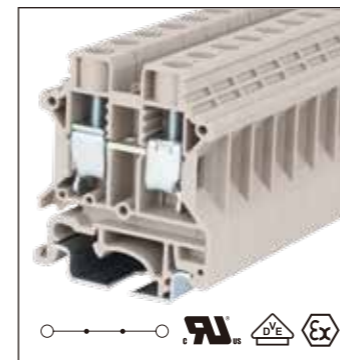
Color	Part number	Package
■	DK4N-RD	100
■	DK4N-BL	100
Part number	Package	
DK4NC	50	
DK4NCA	50	
DKNSPS-005	50	
DKNSPS-008	50	
DKNSPS-001	50	
DSS4N-02P	50	
DSS4N-03P	50	
DSS4N-04P	50	
DSS4N-05P	10	
DSS4N-10P	10	
DSS4N-20P	10	
CSC-402PN	50	
CSC-403PN	50	
CSC-404PN	50	
CSC-405PN	10	
CSC-410PN	10	
DSD02-4/6	50	
DSD02-4/10	50	
DSD02-4/16	50	
DK4N-KP	50	
DK4N-KP(Y)	50	
TM48W	10	
TM-R200	10	
TS-35	20	
TS-35/15	10	
#0 / 3.0 DNT11-0201		



DK6N			
Rated Data	UL	IEC	
Rated Voltage (V)	600	600	1000
Rated Current (A)	50	41	41
Rated impulse voltage	8KV		
Wire range (AWG/mm ²)	20~8	0.5~6	
Connection Capacity			
Max. Solid (mm ²)	10		
Max. Stranded (mm ²)	6		
General Data			
Torque (N.m)	1.2	1.2	
Screw thread	M4		
Stripping length (mm)	12~14		
Insulation material	PA		
T / W (mm)	8 / 43.3		
H / H on TS-35	46.3 / 47.3		
Package	100		

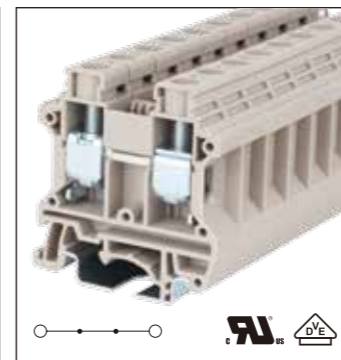
Color	Part number	Package
■	DK6N-RD	100
■	DK6N-BL	100
Part number	Package	
DK6NC	50	
DK6NCA	50	
DK6NCB	50	
DKNSPS-008	50	
DKNSPS-002	50	
DSS6N-02P	50	
DSS6N-03P	50	
DSS6N-04P	50	
DSS6N-05P	10	
DSS6N-10P	10	
CSC-602PN	50	
CSC-603PN	50	
CSC-604PN	50	
CSC-605PN	10	
CSC-610PN	10	
DSD02-2.5/6	50	
DSD02-2.5/10	50	
DSD02-4/6	50	
DSD02-6/16	50	
DK6N-KP	50	
DK6N-KP(Y)	50	
TM49W	10	
TM-R200	10	
TS-35	20	
TS-35/15	10	
#1 / 5.0 DNT11-0202		

Feed-through Terminal Blocks



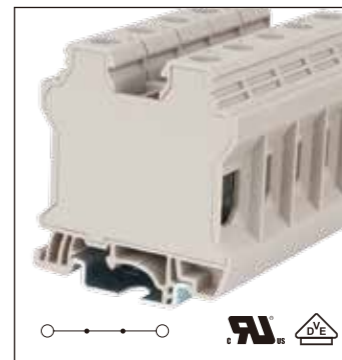
DK10N			
Rated Data	UL	IEC	
Rated Voltage (V)	600	600	1000
Rated Current (A)	60	57	57
Rated impulse voltage	8KV		
Wire range (AWG/mm ²)	20~6	0.5~10	
Connection Capacity			
Max. Solid (mm ²)	16		
Max. Stranded (mm ²)	10		
General Data			
Torque (N.m)	1.3	1.2	
Screw thread	M4		
Stripping length (mm)	12~14		
Insulation material	PA		
T / W (mm)	10 / 43.2		
H / H on TS-35	49.3 / 50.2		
Package	50		

Color	Part number	Package
■	DK10N-RD	50
■	DK10N-BL	50
Part number	Package	
DK10NC	50	
DK10NCA	50	
DKNSPS-009	50	
DKNSPS-002	50	
DSS10N-02P	10	
DSS10N-03P	10	
DSS10N-04P	10	
DSS10N-05P	10	
DSS10N-10P	10	
CSC-1002PN	10	
CSC-1003PN	10	
CSC-1004PN	10	
CSC-1005PN	10	
CSC-1010PN	10	
DSD02-2.5/10	50	
DSD02-4/10	50	
DK10N-KP	50	
DK10N-KP(Y)	50	
TM50W	10	
TM-R200	10	
TS-35	20	
TS-35/15	10	
#1 / 5.0 DNT11-0202		



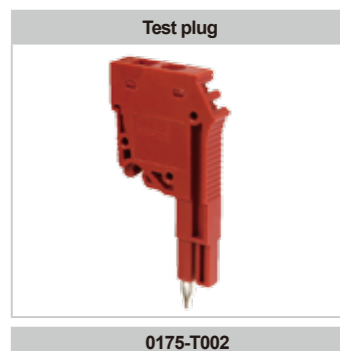
DK16N			
Rated Data	UL	IEC	
Rated Voltage (V)	600	600	1000
Rated Current (A)	88	76	76
Rated impulse voltage	8KV		
Wire range (AWG/mm ²)	14~3	1.5~16	
Connection Capacity			
Max. Solid (mm ²)	25		
Max. Stranded (mm ²)	16		
General Data			
Torque (N.m)	3.4	2	
Screw thread	M5		
Stripping length (mm)	14~16		
Insulation material	PA		
T / W (mm)	12 / 49.6		
H / H on TS-35	51.3 / 56.15		
Package	50		

Color	Part number	Package
■	DK16N-RD	50
■	DK16N-BL	50
Part number	Package	
DK16NC	50	
DK16NCA	50	
DKNSPS-009	50	
DKNSPS-004	50	
DSS16N-02PN	10	
CSC-1602P	10	
CSC-1603P	10	
CSC-1604P	10	
CSC-1605P	10	
CSC-1610P	10	
DSD02-2.5/16	50	
DSD02-4/16	50	
DSD02-6/16	50	
DK16N-KP	50	
DK16N-KP(Y)	50	
TM50W	10	
TM-R200	10	
TS-35	20	
TS-35/15	10	
1.0 x 5.5 DNT11-0111		



DK35N			
Rated Data	UL	IEC	
Rated Voltage (V)	600	600	1000
Rated Current (A)	150	125	125
Rated impulse voltage	8KV		
Wire range (AWG/mm ²)	12~1/0	1.5~35	
Connection Capacity			
Max. Solid (mm ²)	50		
Max. Stranded (mm ²)	35		
General Data			
Torque (N.m)	3.5	6.9	
Screw thread	M6		
Stripping length (mm)	14~18		
Insulation material	PA		
T / W (mm)	16 / 56.4		
H / H on TS-35	60.3 / 65.15		
Package	50		

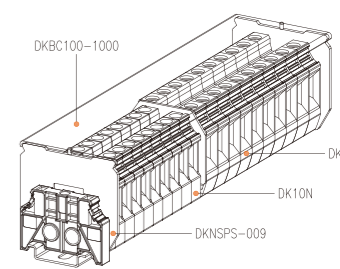
Color	Part number	Package
■	DK35N-RD	50
■	DK35N-BL	50
Part number	Package	
DK35NC	50	
DK35NCA	50	
DKNSPS-004	50	
DKNSPS-004	50	
DSS35N-02PN	10	
CSC-3502P	10	
CSC-3503P	10	
CSC-3504P	10	
CSC-3505P	10	
CSC-3510P	10	
DK35N-KP	50	
DK35N-KP(Y)	50	
TM50W	10	
TM-R200	10	
TS-35	20	
TS-35/15	10	
1.0 x 5.5 DNT11-0111		



0175-T002



0175L1



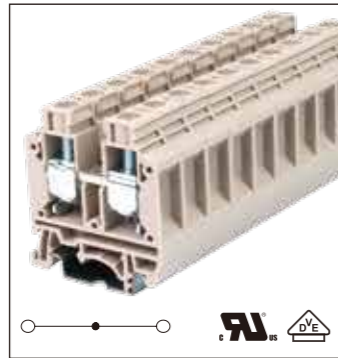
Cover	Terminal Block	Partition Plate
DKBC60-1000	DK2.5N, DK4N	DKNSPS-008
DKBC100-1000	DK10N, DK16N	DKNSPS-009
DKBC150-1000	DK35N	DKNSPS-010

Part Number	Package
DKBC60-1000	20
DKBC100-1000	20
DKBC150-1000	20

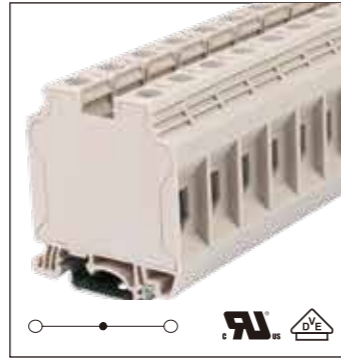
Feed-through Terminal Blocks



DK..N series is a screw type terminal block, which wireage is designed for large wiring contact, vibration proof and high reliability, suitable for wire sizes from 2.5 mm² to 35mm². Power distribution can be adjusted by using plug-in bridge on the top and insertion bridge on the side. Various accessories is available for identification and bridging applications.



DK16H		
Rated Data	UL	IEC
Rated Voltage (V)	600	1000
Rated Current (A)	100	101
Rated impulse voltage	8KV	
Wire range (AWG/mm ²)	14~3	1.5~25
Connection Capacity		
Max. Solid (mm ²)	25	
Max. Stranded (mm ²)	25	
General Data		
Torque (N.m)	2.5~3.4	2
Screw thread	M5	
Stripping length (mm)	13~15	
Insulation material	PA	
T / W (mm)	12 / 48	
H / H on TS-35 (mm)	51.3 / 52.2	
Package	50	



DK35H		
Rated Data	UL	IEC
Rated Voltage (V)	600	1000
Rated Current (A)	150	150
Rated impulse voltage	8KV	
Wire range (AWG/mm ²)	12~1/0	2.5~50
Connection Capacity		
Max. Solid (mm ²)	50	
Max. Stranded (mm ²)	50	
General Data		
Torque (N.m)	3.5~6.9	6.9
Screw thread	M6	
Stripping length (mm)	16~18	
Insulation material	PA	
T / W (mm)	16 / 53	
H / H on TS-35 (mm)	60.3 / 61.2	
Package	50	



DK.. series is a screw type terminal block, with its wire cage is designed for large wiring contact, vibration proof and high reliability, suitable for wire sizes from 50mm² to 240mm². The wire entry hole allows lugs that are within the nominal cross section.

DK..

DK..N

Accessories

End cover	
Separating disk	
Insertion bridge	
2	
3	
4	
5	
10	
Screw-on bridge	
2	
3	
4	
5	
10	
Safety cap	
Marking label	
Continuous flat marking label	
DIN rail	
Tool (mm)	

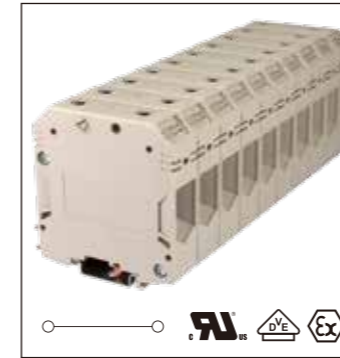
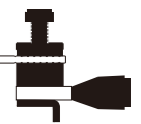
Color	Part number	Package
■	DK16H-RD	50
■	DK16H-BL	50
Part number		
	DK16HC	50
	DKNSPS-003	50
	CSC-1602P	10
	CSC-1603P	10
	CSC-1604P	10
	CSC-1605P	10
	CSC-1610P	10
	DS16-02P	50
	DS16-03P	50
	DS16-04P	50
	DS16-05P	10
	DS16-10P	10
	DK16H-KP	50
	DK16H-KP(Y)	50
	TM50W	10
	TM-R200	10
	TS-35	20
	TS-35/15	10
⊖	1.0 x 5.5 DNT11-0111	

Color	Part number	Package
■	DK35H-RD	50
■	DK35H-BL	50
Part number		
	DKNSPS-004	50
	CSC-3502P	10
	CSC-3503P	10
	CSC-3504P	10
	CSC-3505P	10
	CSC-3510P	10
	DS35-02P	50
	DS35-03P	50
	DS35-04P	50
	DS35-05P	10
	DS35-10P	10
	DK35H-KP	50
	DK35H-KP(Y)	50
	TM50W	10
	TM-R200	10
	TS-35	20
	TS-35/15	10
⊖	1.0 x 5.5 DNT11-0111	

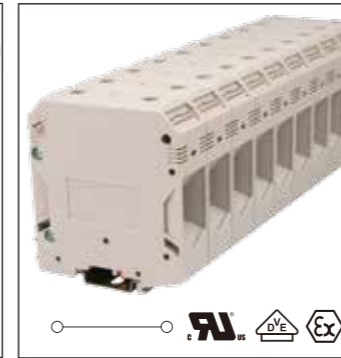
Accessories

Insertion bridge	
Marking label	
Continuous flat marking label	
DIN rail	
Tool (mm)	

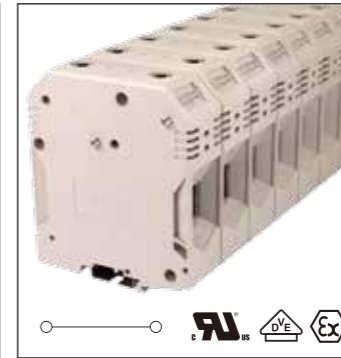
Feed-through Terminal Blocks



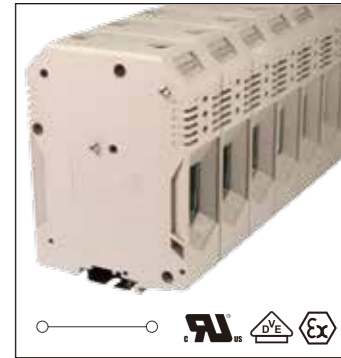
DK50		
Rated Data	UL	IEC
Rated Voltage (V)	600	1000
Rated Current (A)	150	150
Rated impulse voltage	8KV	
Wire range (AWG/mm ²)	6~1/0	16~50
Connection Capacity		
Max. Stranded (mm ²)	50	
General Data		
Torque (N.m)	5.6	
Screw thread	M6	
Stripping length (mm)	25~30	
Insulation material	PA	
T / W (mm)	20 / 70.5	
H / H on TS-35 (mm)	75.8 / 76.7	
Package	20	



DK95		
Rated Data	UL	IEC
Rated Voltage (V)	600	1000
Rated Current (A)	230	232
Rated impulse voltage	8KV	
Wire range (AWG/mm ²)	2~4/0	35~95
Connection Capacity		
Max. Stranded (mm ²)	95	
General Data		
Torque (N.m)	10	
Screw thread	M8	
Stripping length (mm)	30~35	
Insulation material	PA	
T / W (mm)	32.2 / 80	
H / H on TS-35 (mm)	88.5 / 89.4	
Package	20	



DK150		
Rated Data	UL	IEC
Rated Voltage (V)	600	1000
Rated Current (A)	275	309
Rated impulse voltage	8KV	
Wire range (AWG/mm ²)	2~300kcmil	35~150
Connection Capacity		
Max. Stranded (mm ²)	150	
General Data		
Torque (N.m)	19	
Screw thread	M10	
Stripping length (mm)	30~40	
Insulation material	PA	
T / W (mm)	38 / 93	
H / H on TS-35 (mm)	108.1 / 109	
Package	5	



DK240		
Rated Data	UL	IEC
Rated Voltage (V)	600	1000
Rated Current (A)	370	415
Rated impulse voltage	8KV	
Wire range (kcmil/mm ²)	300~500	95~240
Connection Capacity		
Max. Stranded (mm ²)	240	
General Data		
Torque (N.m)	19	
Screw thread	M10	
Stripping length (mm)	30~40	
Insulation material	PA	
T / W (mm)	43 / 93	
H / H on TS-35 (mm)	125.1 / 126	
Package	10	

Color	Part number	Package
■	DK50-RD	20
■	DK50-BL	20
Part number		
	CSC-5002P	10
	CSC-5003P	10
	TM50W	10
	TM-R200	10
	TS-35	20
	TS-35/15	10
	5mm	

Color	Part number	Package
■	DK95-RD	20
■	DK95-BL	20
Part number		
	CSC-9502P	10
	CSC-9503P	10
	TM50W	10
	TM-R200	10
	TS-35	20
	TS-35/15	10
	6mm	

Color	Part number	Package
■	DK150-RD	5
■	DK150-BL	5
Part number		
	CSC-15002P	10
	CSC-15003P	10
	TM50W	10
	TM-R200	10
	TS-35	20
	TS-35/15	10
	8mm	

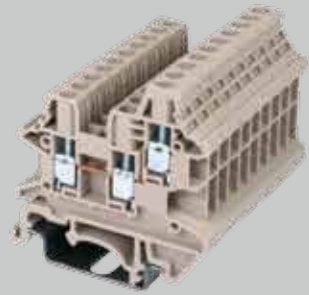
Color	Part number	Package
■	DK240-RD	10
■	DK240-BL	10
Part number		
	CSC-24002P	10
	CSC-24003P	10
	TM50W	10
	TM-R200	10
	TS-35	20
	TS-35/15	10
	8mm	



Easy to release from rail

Screw Connection

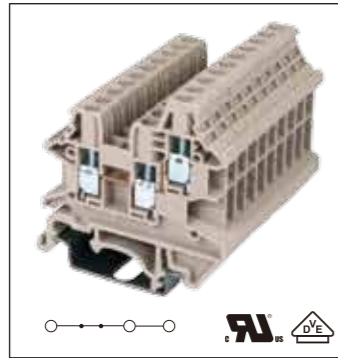
Feed-through 3-Conductor Terminal Blocks



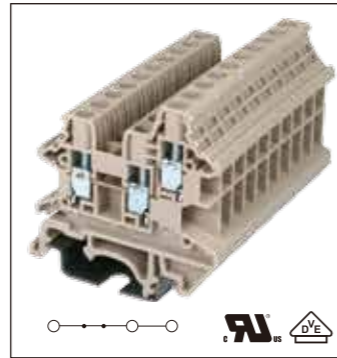
DK..N-TN is a 3-port screw type terminal block. Designed with a solid structure and high reliability to meet the vibration and harsh thermal variation requirement.

With plug-in bridge, DK..N-TN can connect two or more terminal blocks in parallel. Marking labels are compatible for clear identification.

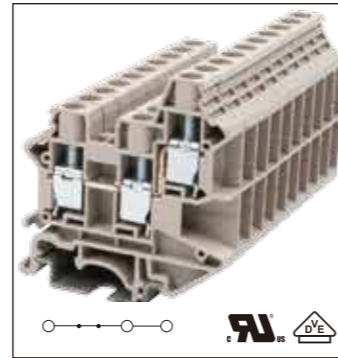
DK..N-TN



DK2.5N-TN		
Rated Data	UL	IEC
Rated Voltage (V)	600	1000
Rated Current (A)	20	24
Rated impulse voltage	8KV	
Wire range (AWG/mm ²)	22~12	0.14~2.5
Connection Capacity		
Max. Solid (mm ²)	4	
Max. Stranded (mm ²)	2.5	
General Data		
Torque (N.m)	0.4	
Screw thread	M2.5	
Stripping length (mm)	9~11	
Insulation material	PA	
T / W (mm)	5.1 / 48.7	
H / H on TS-35 (mm)	48.5 / 49.4	
Package	100	



DK4N-TN		
Rated Data	UL	IEC
Rated Voltage (V)	600	800
Rated Current (A)	30	32
Rated impulse voltage	8KV	
Wire range (AWG/mm ²)	22~10	0.14~4
Connection Capacity		
Max. Solid (mm ²)	6	
Max. Stranded (mm ²)	4	
General Data		
Torque (N.m)	0.6	
Screw thread	M3	
Stripping length (mm)	9~11	
Insulation material	PA	
T / W (mm)	6.1 / 48.7	
H / H on TS-35 (mm)	48.5 / 49.4	
Package	100	



DK6N-TN		
Rated Data	UL	IEC
Rated Voltage (V)	600	1000
Rated Current (A)	50	41
Rated impulse voltage	8KV	
Wire range (AWG/mm ²)	20~8	0.5~6
Connection Capacity		
Max. Solid (mm ²)	10	
Max. Stranded (mm ²)	6	
General Data		
Torque (N.m)	1.2	
Screw thread	M4	
Stripping length (mm)	12~14	
Insulation material	PA	
T / W (mm)	8 / 55.2	
H / H on TS-35 (mm)	58.1 / 59.1	
Package	100	

Accessories

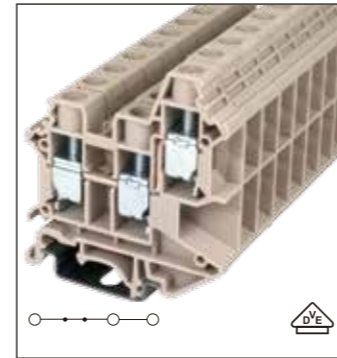
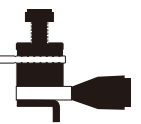
- End cover
- Separating disk
- Plug-in bridge
 - 2
 - 3
 - 4
 - 5
 - 10
 - 20
- Plug-in bridge
 - 2
 - 3
 - 4
 - 5
- Insertion bridge
 - 2
 - 3
 - 4
 - 5
 - 10
- Reducing bridge
- Test plug
- Lever
- Safety cap
- Marking label
- Continuous flat marking label
- DIN rail
- Tool (mm)

Color	Part number	Package
■	DK2.5N-TN-RD	100
■	DK2.5N-TN-BL	100
Part number	Package	
DK2.5NC-TN	50	
DK2.5NCA-TN	50	
DKNSPS-001	50	
DSS2.5N-02P	50	
DSS2.5N-03P	50	
DSS2.5N-04P	50	
DSS2.5N-05P	10	
DSS2.5N-10P	10	
DSS2.5N-20P	10	
DSS2.5N-6688-02P	50	
DSS2.5N-6688-03P	10	
DSS2.5N-6688-04P	10	
DSS2.5N-6688-05P	10	
CSC-2.502PN	50	
CSC-2.503PN	50	
CSC-2.504PN	50	
CSC-2.505PN	10	
CSC-2.510PN	10	
DSD02-2.5/6	50	
DSD02-2.5/10	50	
0175-T002		
0175L1		
TM47W	10	
TM-R200	10	
TS-35	20	
TS-35/15	10	
#0 / 3.0 DNT11-0201		

Color	Part number	Package
■	DK4N-TN-RD	100
■	DK4N-TN-BL	100
Part number	Package	
DK2.5NC-TN	50	
DK2.5NCA-TN	50	
DKNSPS-001	50	
DSS4N-02P	50	
DSS4N-03P	50	
DSS4N-04P	50	
DSS4N-05P	10	
DSS4N-10P	10	
DSS4N-20P	10	
CSC-402PN	50	
CSC-403PN	50	
CSC-404PN	50	
CSC-405PN	10	
CSC-410PN	10	
DSD02-4/6	50	
DSD02-4/10	50	
DK4N-TN-KP	50	
TM48W	10	
TM-R200	10	
TS-35	20	
TS-35/15	10	
#0 / 3.0 DNT11-0201		

Color	Part number	Package
■	DK6N-TN-RD	100
■	DK6N-TN-BL	100
Part number	Package	
DK6NC-TN	50	
DK6NCA-TN	50	
DK6NCB-TN	50	
DKNSPS-002	50	
DSS6N-02P	50	
DSS6N-03P	50	
DSS6N-04P	50	
DSS6N-05P	10	
DSS6N-10P	10	
CSC-602PN	50	
CSC-603PN	50	
CSC-604PN	50	
CSC-605PN	10	
CSC-610PN	10	
DSD02-2.5/6	50	
DSD02-4/6	50	
DK6N-TN-KP	50	
DK6N-TN-KP(Y)	50	
TM49W	10	
TM-R100	10	
TS-35	20	
TS-35/15	10	
#1 / 5.0 DNT11-0202		

Feed-through 3-Conductor & 4-Conductor Terminal Blocks

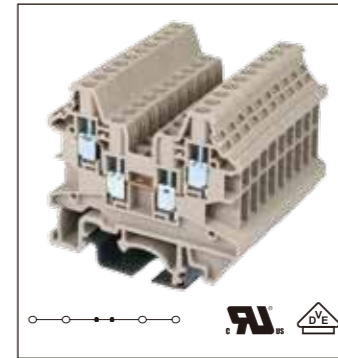


DK10N-TN		
Rated Data	UL	IEC
Rated Voltage (V)	600	1000
Rated Current (A)	60	57
Rated impulse voltage	8KV	
Wire range (AWG/mm ²)	20~6	0.5~10
Connection Capacity		
Max. Solid (mm ²)	16	
Max. Stranded (mm ²)	10	
General Data		
Torque (N.m)	1.3	
Screw thread	M4	
Stripping length (mm)	12~14	
Insulation material	PA	
T / W (mm)	10 / 55.6	
H / H on TS-35 (mm)	62.7 / 63.7	
Package	50	

Color	Part number	Package
■	DK10N-TN-RD	50
■	DK10N-TN-BL	50
Part number	Package	
DK10NC-TN	50	
DKNSPS-001	50	
DSS10N-02P	50	
DSS10N-03P	50	
DSS10N-04P	50	
DSS10N-05P	10	
DSS10N-10P	10	
CSC-1002PN	50	
CSC-1003PN	50	
CSC-1004PN	50	
CSC-1005PN	10	
CSC-1010PN	10	
DSD02-2.5/10	50	
DSD02-4/10	50	
DK10N-TN-KP	50	
DK10N-TN-KP(Y)	50	
TM50W	10	
TM-R200	10	
TS-35	20	
TS-35/15	10	
#1 / 5.0 DNT11-0202		

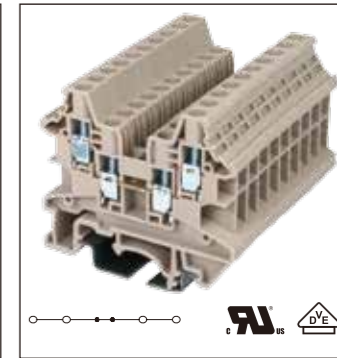
DK..N-TR is a 4-port screw type terminal block, suitable for compact power distribution through two terminals on each side. Designed with a solid structure and high reliability to meet the vibration and harsh thermal variation requirement. With plug-in bridge, DK..N-TR can connect two or more terminal blocks in parallel. Marking labels are compatible for clear identification.

DK..N-TR



DK2.5N-TR		
Rated Data	UL	IEC
Rated Voltage (V)	600	1000
Rated Current (A)	20	24
Rated impulse voltage	8KV	
Wire range (AWG/mm ²)	22~12	0.14~2.5
Connection Capacity		
Max. Solid (mm ²)	4	
Max. Stranded (mm ²)	2.5	
General Data		
Torque (N.m)	0.4	
Screw thread	M2.5	
Stripping length (mm)	9~11	
Insulation material	PA	
T / W (mm)	5.1 / 54.8	
H / H on TS-35 (mm)	48.5 / 49.4	
Package	100	

Color	Part number	Package
■	DK2.5N-TR-RD	100
■	DK2.5N-TR-BL	100
Part number	Package	
DK2.5NC-TR	50	
DK2.5NCA-TR	50	
DKNSPS-001	50	
DSS2.5N-02P	50	
DSS2.5N-03P	50	
DSS2.5N-04P	50	
DSS2.5N-05P	10	
DSS2.5N-10P	10	
DSS2.5N-20P	10	
DSS2.5N-6688-02P	50	
DSS2.5N-6688-03P	10	
DSS2.5N-6688-04P	10	
DSS2.5N-6688-05P	10	
CSC-2.502PN	50	
CSC-2.503PN	50	
CSC-2.504PN	50	
CSC-2.505PN	10	
CSC-2.510PN	10	
DSD02-2.5/6	50	
DSD02-2.5/10	50	
0175-T002		
0175L1		
DK2.5N-TR-KP	50	
TM47W	10	
TM-R200	10	
TS-35	20	
TS-35/15	10	
#0 / 3.0 DNT11-0201		



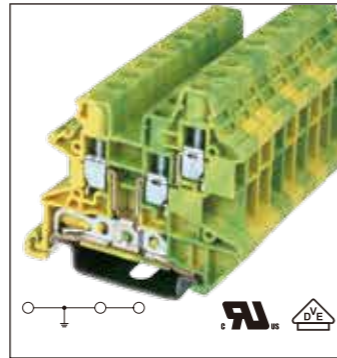
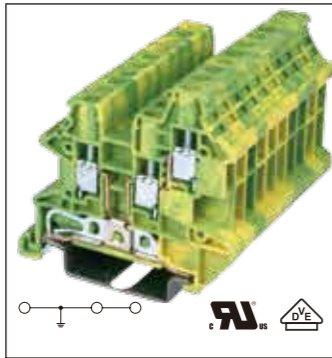
DK4N-TR		
Rated Data	UL	IEC
Rated Voltage (V)	600	800
Rated Current (A)	30	32
Rated impulse voltage	8KV	
Wire range (AWG/mm ²)	22~10	0.14~4
Connection Capacity		
Max. Solid (mm ²)	6	
Max. Stranded (mm ²)	4	
General Data		
Torque (N.m)	0.6	
Screw thread	M3	
Stripping length (mm)	9~11	
Insulation material	PA	
T / W (mm)	6.1 / 54.8	
H / H on TS-35 (mm)	48.5 / 49.4	
Package	100	

Color	Part number	Package
■	DK4N-TR-RD	100
■	DK4N-TR-BL	100
Part number	Package	
DK2.5NC-TR	50	
DK2.5NCA-TR	50	
DKNSPS-001	50	
DSS4N-02P	50	
DSS4N-03P	50	
DSS4N-04P	50	
DSS4N-05P	10	
DSS4N-10P	10	
DSS4N-20P	10	
CSC-402PN	50	
CSC-403PN	50	
CSC-404PN	50	
CSC-405PN	10	
CSC-410PN	10	
DSD02-4/6	50	
DSD02-4/10	50	
DK4N-TR-KP	100	
TM48W	10	
TM-R200	10	
TS-35	20	
TS-35/15	10	
#0 / 3.0 DNT11-0201		

Accessories

- End cover
- Separating disk
- Plug-in bridge
 - 2
 - 3
 - 4
 - 5
 - 10
 - 20
- Plug-in bridge
 - 2
 - 3
 - 4
 - 5
- Insertion bridge
 - 2
 - 3
 - 4
 - 5
 - 10
- Reducing bridge
- Test plug
- Lever
- Safety cap
- Marking label
- Continuous flat marking label
- DIN rail
- Tool (mm)

Feed-through 3-Conductor Grounding Terminal Blocks



DK..N-TN-PE is a 3 ports grounding terminal block with the same dimensions as the DK..N-TN series, and fully compliant to UL 1059 and IEC 60947-7-2. This series supports both the mechanical and the electrical functions of a PCTB by using it as a ground (PE) busbar.

DK..N-TN-PE

Accessories

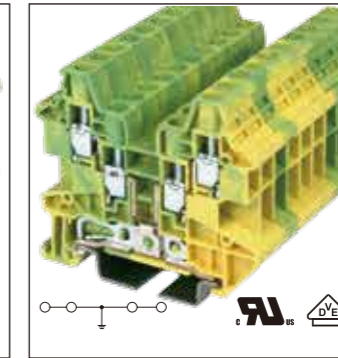
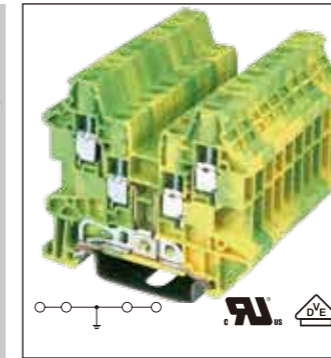
- End cover
- Marking label
- Continuous flat marking label
- DIN rail
- Tool (mm)

DK2.5N-TN-PE		
Rated Data	UL	IEC
Rated Voltage (V)	600	1000
Rated Current (A)		
Rated impulse voltage		8KV
Wire range (AWG/mm ²)	22~12	0.14~2.5
Connection Capacity		
Max. Solid (mm ²)		4
Max. Stranded (mm ²)		2.5
General Data		
Torque (N.m)		0.4
Screw thread		M2.5
Stripping length (mm)		9~11
Insulation material		PA
T / W (mm)		5.1 / 52.3
H / H on TS-35 (mm)		48.3 / 49.4
Package		100
Part number	Package	
DK2.5NC-TN-PE	50	
TM47W	10	
TM-R200	10	
TS-35	20	
TS-35/15	10	
#0 / 3.0 DNT11-0201		

DK4N-TN-PE		
Rated Data	UL	IEC
Rated Voltage (V)	600	1000
Rated Current (A)		
Rated impulse voltage		8KV
Wire range (AWG/mm ²)	22~10	0.14~4
Connection Capacity		
Max. Solid (mm ²)		6
Max. Stranded (mm ²)		4
General Data		
Torque (N.m)		0.6
Screw thread		M3
Stripping length (mm)		9~11
Insulation material		PA
T / W (mm)		6.1 / 52.3
H / H on TS-35 (mm)		48.3 / 49.4
Package		100
Part number	Package	
DK2.5NC-TN-PE	50	
TM48W	10	
TM-R200	10	
TS-35	20	
TS-35/15	10	
#0 / 3.0 DNT11-0201		

Rated Data	UL	IEC
Rated Voltage (V)		
Rated Current (A)		
Rated impulse voltage		
Wire range (AWG/mm ²)		
Connection Capacity		
Max. Solid (mm ²)		
Max. Stranded (mm ²)		
General Data		
Torque (N.m)		
Screw thread		
Stripping length (mm)		
Insulation material		
T / W (mm)		
H / H on TS-35 (mm)		
Package		
Part number	Package	

Feed-through 4-Conductor Grounding Terminal Blocks



DK..N-TR-PE is a 4 ports grounding terminal block with the same dimensions as the DK..N-TN series, and fully compliant to UL 1059 and IEC 60947-7-2. This series supports both the mechanical and the electrical functions of a PCTB by using it as a ground (PE) busbar.

DK..N-TR-PE

Accessories

- End cover
- Marking label
- Continuous flat marking label
- DIN rail
- Tool (mm)

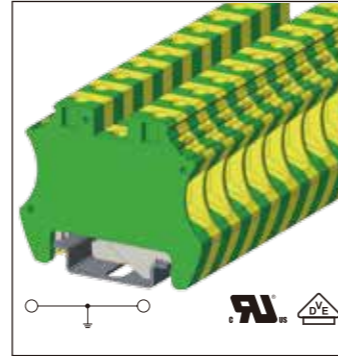
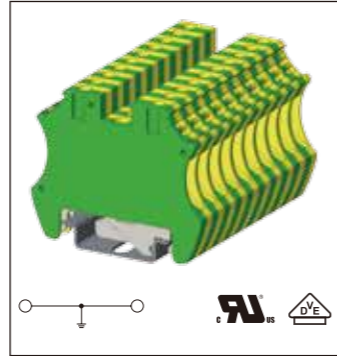
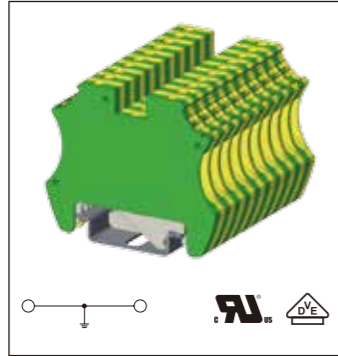
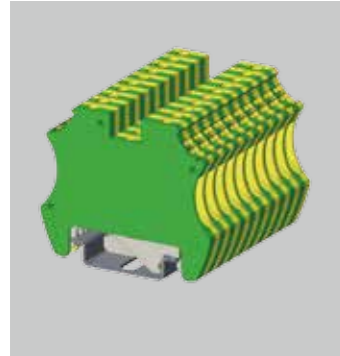
DK2.5N-TR-PE		
Rated Data	UL	IEC
Rated Voltage (V)	600	1000
Rated Current (A)		
Rated impulse voltage		8KV
Wire range (AWG/mm ²)	22~12	0.14~2.5
Connection Capacity		
Max. Solid (mm ²)		4
Max. Stranded (mm ²)		2.5
General Data		
Torque (N.m)		0.4
Screw thread		M2.5
Stripping length (mm)		9~11
Insulation material		PA
T / W (mm)		5.1 / 55.1
H / H on TS-35 (mm)		48.4 / 49.4
Package		100
Part number	Package	
DK2.5NC-TR-PE	50	
TM47W	10	
TM-R200	10	
TS-35	20	
TS-35/15	10	
#0 / 3.0 DNT11-0201		

DK4N-TR-PE		
Rated Data	UL	IEC
Rated Voltage (V)	600	1000
Rated Current (A)		
Rated impulse voltage		8KV
Wire range (AWG/mm ²)	22~10	0.14~4
Connection Capacity		
Max. Solid (mm ²)		6
Max. Stranded (mm ²)		4
General Data		
Torque (N.m)		0.6
Screw thread		M3
Stripping length (mm)		9~11
Insulation material		PA
T / W (mm)		6.1 / 55.1
H / H on TS-35 (mm)		48.4 / 49.4
Package		100
Part number	Package	
DK2.5NC-TR-PE	50	
TM48W	10	
TM-R200	10	
TS-35	20	
TS-35/15	10	
#0 / 3.0 DNT11-0201		

Rated Data	UL	IEC
Rated Voltage (V)		
Rated Current (A)		
Rated impulse voltage		
Wire range (AWG/mm ²)		
Connection Capacity		
Max. Solid (mm ²)		
Max. Stranded (mm ²)		
General Data		
Torque (N.m)		
Screw thread		
Stripping length (mm)		
Insulation material		
T / W (mm)		
H / H on TS-35 (mm)		
Package		
Part number	Package	

Screw Connection

Feed-through Grounding Terminal Blocks



DK...PE is a protective conductor terminal block, fully compliant with all the strict requirements of UL 1059 and IEC 60947-7-2. The DIN rail is not only a mechanical support to the PCTB but also an electrical function of the PCTB, it is used as a ground (PE) busbar.

Ensure secured wiring. High conductivity and low resistance for safe grounding. Additional to the snap-on foot, with screw mounting to strengthen the fix on the DIN rail.

DK...PE

Accessories

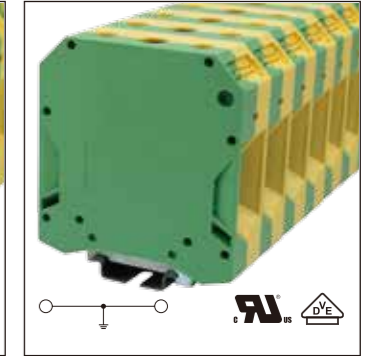
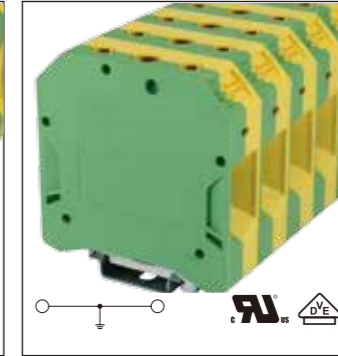
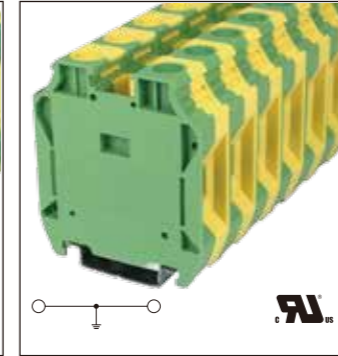
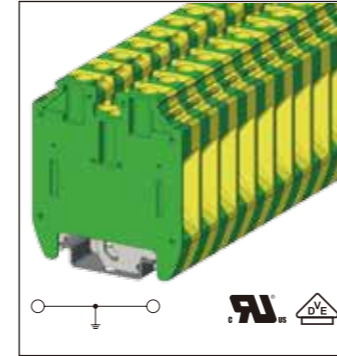
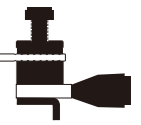
Marking label	
Continuous flat marking label	
DIN rail	
Tool (mm)	

DK2.5-PE		
Rated Data	UL	IEC
Rated Voltage (V)	600	630
Rated Current (A)		
Rated impulse voltage	8KV	
Wire range (AWG/mm ²)	26~12	0.5~2.5
Connection Capacity		
Max. Solid (mm ²)	4	
Max. Stranded (mm ²)	2.5	
General Data		
Torque Wire (N.m)	0.8	
Torque Din Rail (N.m)	0.52	
Screw thread	M3	
Stripping length (mm)	10~14	
Insulation material	PA	
T / W (mm)	5.7 / 56	
H / H on TS-35 (mm)	46.4 / 47.4	
Package	100	
Part number	Package	
TM47W	10	
TM-R200	10	
TS-35	20	
TS-35/15	10	
0.6 x 3.5 DNT11-0107		

DK4-PE		
Rated Data	UL	IEC
Rated Voltage (V)	600	630
Rated Current (A)		
Rated impulse voltage	8KV	
Wire range (AWG/mm ²)	26~10	0.5~4
Connection Capacity		
Max. Solid (mm ²)	6	
Max. Stranded (mm ²)	4	
General Data		
Torque Wire (N.m)	0.8	
Torque Din Rail (N.m)	0.52	
Screw thread	M3	
Stripping length (mm)	12~16	
Insulation material	PA	
T / W (mm)	6.6 / 56	
H / H on TS-35 (mm)	46.4 / 47.4	
Package	100	
Part number	Package	
TM48W	10	
TM-R200	10	
TS-35	20	
TS-35/15	10	
0.6 x 3.5 DNT11-0107		

DK10-PE		
Rated Data	UL	IEC
Rated Voltage (V)	600	500
Rated Current (A)		
Rated impulse voltage	8KV	
Wire range (AWG/mm ²)	16~8	1.5~10
Connection Capacity		
Max. Solid (mm ²)	16	
Max. Stranded (mm ²)	10	
General Data		
Torque Wire (N.m)	1.76	
Torque Din Rail (N.m)	0.8	
Screw thread	M4	
Stripping length (mm)	12~16	
Insulation material	PA	
T / W (mm)	10.4 / 56	
H / H on TS-35 (mm)	46.4 / 47.4	
Package	50	
Part number	Package	
TM50W	10	
TM-R200	10	
TS-35	20	
TS-35/15	10	
0.8 x 4 DNT11-0109		

Feed-through Grounding Terminal Blocks



DK16-PE		
Rated Data	UL	IEC
Rated Voltage (V)	600	1000
Rated Current (A)		
Rated impulse voltage	8KV	
Wire range (AWG/mm ²)	14~6	2.5~16
Connection Capacity		
Max. Solid (mm ²)	25	
Max. Stranded (mm ²)	16	
General Data		
Torque Wire (N.m)	3.4	
Torque Din Rail (N.m)	0.8	
Screw thread	M5	
Stripping length (mm)	14~18	
Insulation material	PA	
T / W (mm)	12 / 56	
H / H on TS-35 (mm)	62.4 / 63.4	
Package	20	
Part number	Package	
TM50W	10	
TM-R200	10	
TS-35	20	
TS-35/15	10	
1.0 x 5.5 DNT11-0111		

DK35H-PE		
Rated Data	UL	IEC
Rated Voltage (V)	600	1000
Rated Current (A)		
Rated impulse voltage	8KV	
Wire range (AWG/mm ²)	12~3	2.5~35
Connection Capacity		
Max. Solid (mm ²)	50	
Max. Stranded (mm ²)	35	
General Data		
Torque Wire (N.m)	3.5	
Torque Din Rail (N.m)	1.2	
Screw thread	M6	
Stripping length (mm)	16~18	
Insulation material	PA	
T / W (mm)	16 / 52	
H / H on TS-35 (mm)	59 / 61.2	
Package	50	
Part number	Package	
TM50W	10	
TM-R200	10	
TS-35	20	
TS-35/15	10	
1.0 x 5.5 DNT11-0111		

DK50-PE		
Rated Data	UL	IEC
Rated Voltage (V)	600	1000
Rated Current (A)		
Rated impulse voltage	8KV	
Wire range (AWG/mm ²)	6	16~50
Connection Capacity		
Max. Solid (mm ²)		
Max. Stranded (mm ²)	50	
General Data		
Torque Wire (N.m)	7.9	
Torque Din Rail (N.m)	3.3	
Screw thread	M6	
Stripping length (mm)	20~25	
Insulation material	PA	
T / W (mm)	20 / 70.5	
H / H on TS-35 (mm)	75.6 / 76.6	
Package	10	
Part number	Package	
TM50W	10	
TM-R200	10	
TS-35	20	
TS-35/15	10	
5mm		

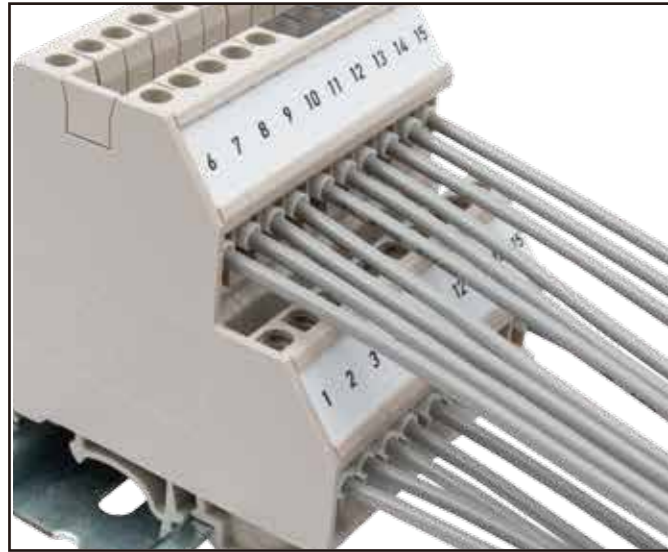
(Copper DIN rail installation)

DK95-PE		
Rated Data	UL	IEC
Rated Voltage (V)	600	1000
Rated Current (A)		
Rated impulse voltage	8KV	
Wire range (AWG/mm ²)	2~4/0	35~95
Connection Capacity		
Max. Solid (mm ²)		
Max. Stranded (mm ²)	95	
General Data		
Torque Wire (N.m)	17.9	
Torque Din Rail (N.m)	5.6	
Screw thread	M8	
Stripping length (mm)	20~25	
Insulation material	PA	
T / W (mm)	25 / 80	
H / H on TS-35 (mm)	86.1 / 89.9	
Package	10	
Part number	Package	
TM50W	10	
TM-R200	10	
TS-35	20	
TS-35/15	10	
6mm		

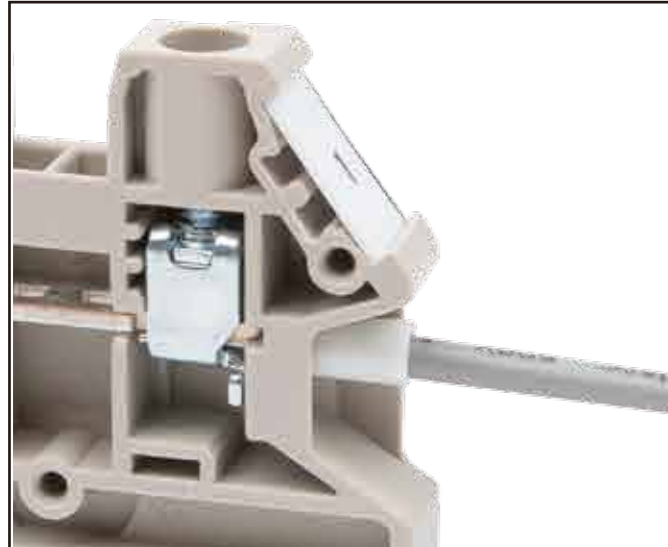
(Copper DIN rail installation)

Screw Connection

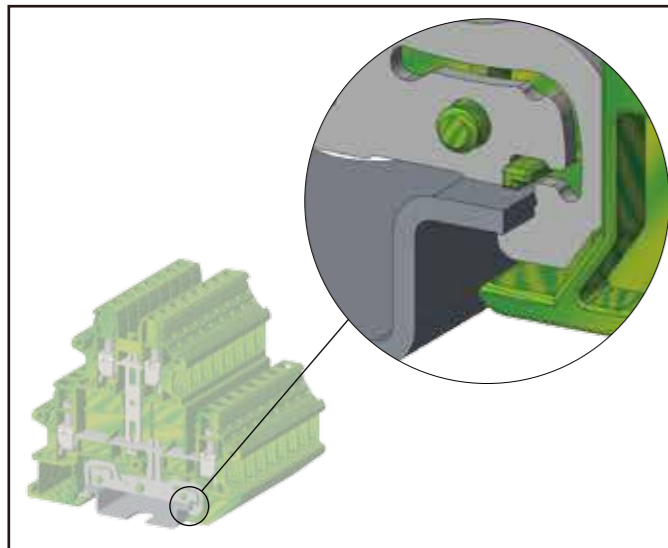
Bi-Level Terminal Blocks



Compact design for high density connections



Screw connection



Supporting grounding function

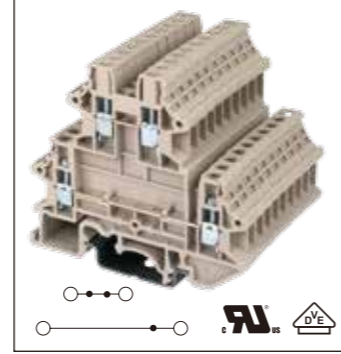


DKK..N is a double layers screw type terminal block, with each layer connecting independently. This reduces the installation space requirement by 50%. Each layer can be further bridged in parallel and labeled for identification. Test plugs can be used for testing and measurement purpose.

DKK..N

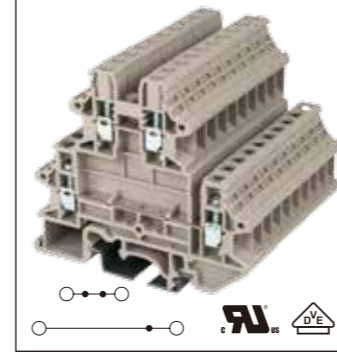
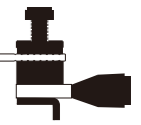
Accessories

End cover	
Separating disk	
Plug-in bridge	
2	
3	
4	
5	
10	
20	
Plug-in bridge	
2	
3	
4	
5	
Insertion bridge	
2	
3	
4	
5	
10	
Test plug	
Lever	
Marking label	
Continuous flat marking label	
DIN rail	
Tool (mm)	

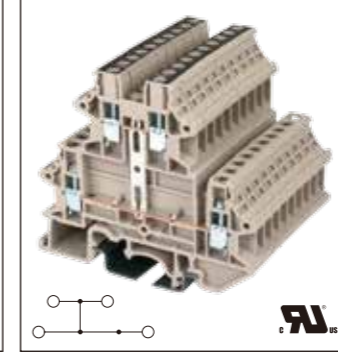


DKK2.5N		
Rated Data	UL	IEC
Rated Voltage (V)	600	400
Rated Current (A)	20	24
Rated impulse voltage	8KV	
Wire range (AWG/mm ²)	22~12	0.34~2.5
Connection Capacity		
Max. Solid (mm ²)	4	
Max. Stranded (mm ²)	2.5	
General Data		
Torque (N.m)	0.4	
Screw thread	M2.5	
Stripping length (mm)	9~11	
Insulation material	PA	
T / W (mm)	5.1 / 71.5	
H / H on TS-35 (mm)	62.2 / 63	
Package	100	
Color	Part number	Package
■	DKK2.5N-RD	100
■	DKK2.5N-BL	100
Part number	Package	
DKK2.5NC	50	
DKNSPS-001	50	
DSS2.5N-02P	50	
DSS2.5N-03P	50	
DSS2.5N-04P	50	
DSS2.5N-05P	10	
DSS2.5N-10P	10	
DSS2.5N-20P	10	
DSS2.5N-6688-02P	50	
DSS2.5N-6688-03P	10	
DSS2.5N-6688-04P	10	
DSS2.5N-6688-05P	10	
CSC-2.502PN	50	
CSC-2.503PN	50	
CSC-2.504PN	50	
CSC-2.505PN	10	
CSC-2.510PN	10	
0175-T002	100	
0175L1		
TM47W	10	
TM-R200	10	
TS-35	20	
TS-35/15	10	
#0 / 3.0 DNT11-0201		

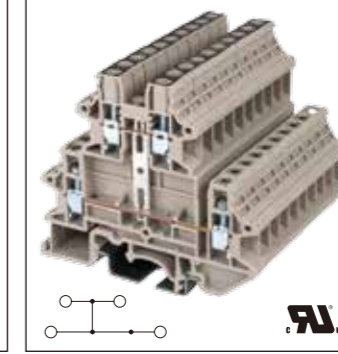
Bi-Level Terminal Blocks



DKK4N		
Rated Data	UL	IEC
Rated Voltage (V)	600	800
Rated Current (A)	30	32
Rated impulse voltage	8KV	
Wire range (AWG/mm ²)	22~10	0.34~4
Connection Capacity		
Max. Solid (mm ²)	6	
Max. Stranded (mm ²)	4	
General Data		
Torque (N.m)	0.6	
Screw thread	M3	
Stripping length (mm)	9~11	
Insulation material	PA	
T / W (mm)	6.1 / 71.5	
H / H on TS-35 (mm)	62.2 / 63	
Package	100	
Color	Part number	Package
■	DKK4N-RD	100
■	DKK4N-BL	100
Part number	Package	
DKK2.5NC	50	
DKNSPS-001	50	
DSS4N-02P	50	
DSS4N-03P	50	
DSS4N-04P	50	
DSS4N-05P	10	
DSS4N-10P	10	
DSS4N-20P	10	
CSC-402PN	50	
CSC-403PN	50	
CSC-404PN	50	
CSC-405PN	10	
CSC-410PN	10	
0175-T002		
0175L1		
TM48W	10	
TM-R200	10	
TS-35	20	
TS-35/15	10	
#0 / 3.0 DNT11-0201		



DKK2.5N-PV		
Rated Data	UL	IEC
Rated Voltage (V)	600	400
Rated Current (A)	20	24
Rated impulse voltage	8KV	
Wire range (AWG/mm ²)	22~12	0.34~2.5
Connection Capacity		
Max. Solid (mm ²)	4	
Max. Stranded (mm ²)	2.5	
General Data		
Torque (N.m)	0.4	
Screw thread	M2.5	
Stripping length (mm)	9~11	
Insulation material	PA	
T / W (mm)	5.1 / 71.5	
H / H on TS-35 (mm)	62.2 / 63	
Package	100	
Color	Part number	Package
■	DKK2.5N-PV-RD	100
■	DKK2.5N-PV-BL	100
Part number	Package	
DKK2.5NC	50	
DKNSPS-001	50	
DSS2.5N-02P	50	
DSS2.5N-03P	50	
DSS2.5N-04P	50	
DSS2.5N-05P	10	
DSS2.5N-10P	10	
DSS2.5N-20P	10	
DSS2.5N-6688-02P	50	
DSS2.5N-6688-03P	10	
DSS2.5N-6688-04P	10	
DSS2.5N-6688-05P	10	
CSC-2.502PN	50	
CSC-2.503PN	50	
CSC-2.504PN	50	
CSC-2.505PN	10	
CSC-2.510PN	10	
0175-T002		
0175L1		
TM47W	10	
TM-R200	10	
TS-35	20	
TS-35/15	10	
#0 / 3.0 DNT11-0201		



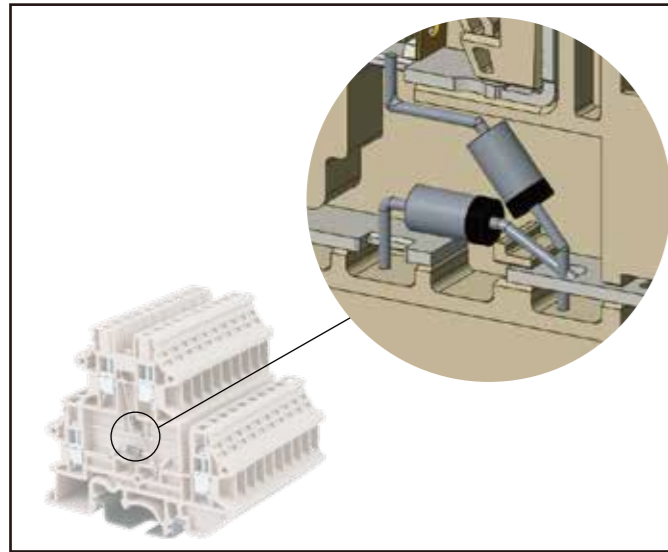
DKK4N-PV		
Rated Data	UL	IEC
Rated Voltage (V)	600	800
Rated Current (A)	30	32
Rated impulse voltage	8KV	
Wire range (AWG/mm ²)	22~10	0.34~4
Connection Capacity		
Max. Solid (mm ²)	6	
Max. Stranded (mm ²)	4	
General Data		
Torque (N.m)	0.6	
Screw thread	M3	
Stripping length (mm)	9~11	
Insulation material	PA	
T / W (mm)	6.1 / 71.5	
H / H on TS-35 (mm)	62.2 / 63	
Package	100	
Color	Part number	Package
■	DKK4N-PV-RD	100
■	DKK4N-PV-BL	100
Part number	Package	
DKK2.5NC	50	
DKNSPS-001	50	
DSS4N-02P	50	
DSS4N-03P	50	
DSS4N-04P	50	
DSS4N-05P	10	
DSS4N-10P	10	
DSS4N-20P	10	
CSC-402PN	50	
CSC-403PN	50	
CSC-404PN	50	
CSC-405PN	10	
CSC-410PN	10	
0175-T002		
0175L1		
TM48W	10	
TM-R200	10	
TS-35	20	
TS-35/15	10	
#0 / 3.0 DNT11-0201		



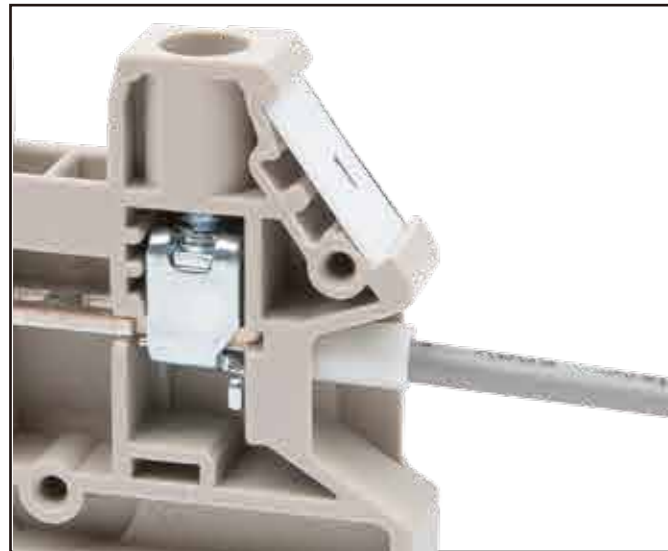
DKK2.5N-PV		
Rated Data	UL	IEC
Rated Voltage (V)	600	400
Rated Current (A)	20	24
Rated impulse voltage	8KV	
Wire range (AWG/mm ²)	22~12	0.34~2.5
Connection Capacity		
Max. Solid (mm ²)	4	
Max. Stranded (mm ²)	2.5	
General Data		
Torque (N.m)	0.4	
Screw thread	M2.5	
Stripping length (mm)	9~11	
Insulation material	PA	
T / W (mm)	5.1 / 71.5	
H / H on TS-35 (mm)	62.2 / 63	
Package	100	
Color	Part number	Package
■	DKK2.5N-PV-RD	100
■	DKK2.5N-PV-BL	100
Part number	Package	
DKK2.5NC	50	
DKNSPS-001	50	
DSS2.5N-02P	50	
DSS2.5N-03P	50	
DSS2.5N-04P	50	
DSS2.5N-05P	10	
DSS2.5N-10P	10	
DSS2.5N-20P	10	
DSS2.5N-6688-02P	50	
DSS2.5N-6688-03P	10	
DSS2.5N-6688-04P	10	
DSS2.5N-6688-05P	10	
CSC-2.502PN	50	
CSC-2.503PN	50	
CSC-2.504PN	50	
CSC-2.505PN	10	
CSC-2.510PN	10	
0175-T002		
0175L1		
TM47W	10	
TM-R200	10	
TS-35	20	
TS-35/15	10	
#0 / 3.0 DNT11-0201		

Screw Connection

Bi-Level Diode Terminal Blocks



Support electronic component function



Screw connection offers stable connectivity

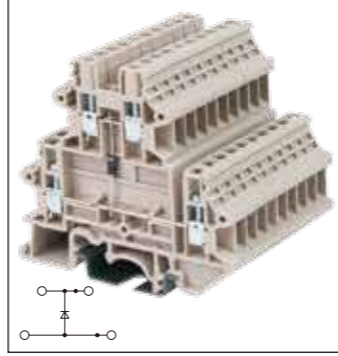


DKK2.5N-D series is a double-layer diode terminal block for fast and reliable protection against reverse current. While standard products are typically used for AC applications, DC applications require a more specific approach, such as photovoltaic applications.

DKK..N

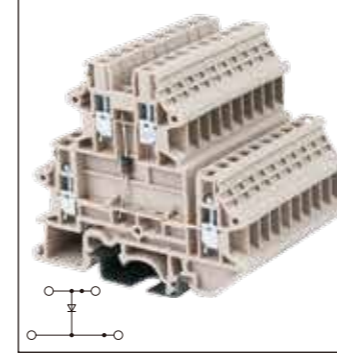
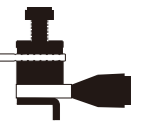
Accessories

End cover	
Separating disk	
Plug-in bridge	
2	
3	
4	
5	
10	
20	
Plug-in bridge	
2	
3	
4	
5	
10	
Insertion bridge	
2	
3	
4	
5	
10	
Test plug	
Lever	
Marking label	
Continuous flat marking label	
DIN rail	
Tool (mm)	

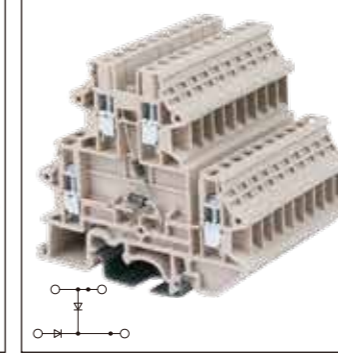


DKK2.5N-D01			
Rated Data	UL	IEC	
Rated Voltage (V)	250	250	
Rated Current (A)	0.5	0.5	
Rated impulse voltage	8KV		
Wire range (AWG/mm ²)	22~12	0.34~2.5	
Connection Capacity			
Max. Solid (mm ²)	4		
Max. Stranded (mm ²)	2.5		
General Data			
Torque (N.m)	0.4		
Screw thread	M2.5		
Stripping length (mm)	9~11		
Insulation material	PA		
T / W (mm)	5.1 / 71.5		
H / H on TS-35 (mm)	62.2 / 63		
Package	100		
Part number	Package		
DKK2.5NC	50		
DKNSPS-001	50		
DSS2.5N-02P	50		
DSS2.5N-03P	50		
DSS2.5N-04P	50		
DSS2.5N-05P	10		
DSS2.5N-10P	10		
DSS2.5N-20P	10		
DSS2.5N-6688-02P	50		
DSS2.5N-6688-03P	10		
DSS2.5N-6688-04P	10		
DSS2.5N-6688-05P	10		
CSC-2.502PN	50		
CSC-2.503PN	50		
CSC-2.504PN	50		
CSC-2.505PN	10		
CSC-2.510PN	10		
0175-T002			
0175L1			
TM47W	10		
TM-R200	10		
TS-35	20		
TS-35/15	10		
#0 / 3.0 DNT11-0201			

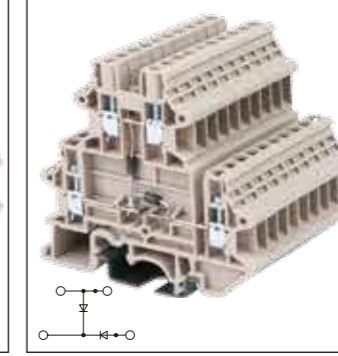
Bi-Level Diode Terminal Blocks



DKK2.5N-D02			
Rated Data	UL	IEC	
Rated Voltage (V)	250	250	
Rated Current (A)	0.5	0.5	
Rated impulse voltage	8KV		
Wire range (AWG/mm ²)	22~12	0.34~2.5	
Connection Capacity			
Max. Solid (mm ²)	4		
Max. Stranded (mm ²)	2.5		
General Data			
Torque (N.m)	0.4		
Screw thread	M2.5		
Stripping length (mm)	9~11		
Insulation material	PA		
T / W (mm)	5.1 / 71.5		
H / H on TS-35 (mm)	62.2 / 63		
Package	100		
Part number	Package		
DKK2.5NC	50		
DKNSPS-001	50		
DSS2.5N-02P	50		
DSS2.5N-03P	50		
DSS2.5N-04P	50		
DSS2.5N-05P	10		
DSS2.5N-10P	10		
DSS2.5N-20P	10		
DSS2.5N-6688-02P	50		
DSS2.5N-6688-03P	10		
DSS2.5N-6688-04P	10		
DSS2.5N-6688-05P	10		
CSC-2.502PN	50		
CSC-2.503PN	50		
CSC-2.504PN	50		
CSC-2.505PN	10		
CSC-2.510PN	10		
0175-T002			
0175L1			
TM47W	10		
TM-R200	10		
TS-35	20		
TS-35/15	10		
#0 / 3.0 DNT11-0201			



DKK2.5N-D03			
Rated Data	UL	IEC	
Rated Voltage (V)	250	250	
Rated Current (A)	0.5	0.5	
Rated impulse voltage	8KV		
Wire range (AWG/mm ²)	22~12	0.34~2.5	
Connection Capacity			
Max. Solid (mm ²)	4		
Max. Stranded (mm ²)	2.5		
General Data			
Torque (N.m)	0.4		
Screw thread	M2.5		
Stripping length (mm)	9~11		
Insulation material	PA		
T / W (mm)	5.1 / 71.5		
H / H on TS-35 (mm)	62.2 / 63		
Package	100		
Part number	Package		
DKK2.5NC	50		
DKNSPS-001	50		
DSS2.5N-02P	50		
DSS2.5N-03P	50		
DSS2.5N-04P	50		
DSS2.5N-05P	10		
DSS2.5N-10P	10		
DSS2.5N-20P	10		
DSS2.5N-6688-02P	50		
DSS2.5N-6688-03P	10		
DSS2.5N-6688-04P	10		
DSS2.5N-6688-05P	10		
CSC-2.502PN	50		
CSC-2.503PN	50		
CSC-2.504PN	50		
CSC-2.505PN	10		
CSC-2.510PN	10		
0175-T002			
0175L1			
TM47W	10		
TM-R200	10		
TS-35	20		
TS-35/15	10		
#0 / 3.0 DNT11-0201			



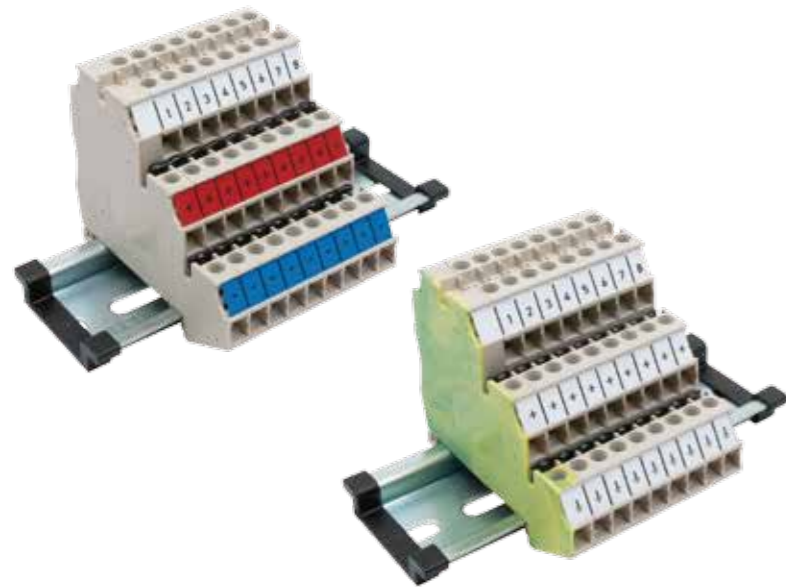
DKK2.5N-D04			
Rated Data	UL	IEC	
Rated Voltage (V)	250	250	
Rated Current (A)	0.5	0.5	
Rated impulse voltage	8KV		
Wire range (AWG/mm ²)	22~12	0.34~2.5	
Connection Capacity			
Max. Solid (mm ²)	4		
Max. Stranded (mm ²)	2.5		
General Data			
Torque (N.m)	0.4		
Screw thread	M2.5		
Stripping length (mm)	9~11		
Insulation material	PA		
T / W (mm)	5.1 / 71.5		
H / H on TS-35 (mm)	62.2 / 63		
Package	100		
Part number	Package		
DKK2.5NC	50		
DKNSPS-001	50		
DSS2.5N-02P	50		
DSS2.5N-03P	50		
DSS2.5N-04P	50		
DSS2.5N-05P	10		
DSS2.5N-10P	10		
DSS2.5N-20P	10		
DSS2.5N-6688-02P	50		
DSS2.5N-6688-03P	10		
DSS2.5N-6688-04P	10		
DSS2.5N-6688-05P	10		
CSC-2.502PN	50		
CSC-2.503PN	50		
CSC-2.504PN	50		
CSC-2.505PN	10		
CSC-2.510PN	10		
0175-T002			
0175L1			
TM47W	10		
TM-R200	10		
TS-35	20		
TS-35/15	10		
#0 / 3.0 DNT11-0201			



DKK2.5N-D05			
Rated Data	UL	IEC	
Rated Voltage (V)	250	250	
Rated Current (A)	0.5	0.5	
Rated impulse voltage	8KV		
Wire range (AWG/mm ²)	22~12	0.34~2.5	
Connection Capacity			
Max. Solid (mm ²)	4		
Max. Stranded (mm ²)	2.5		
General Data			
Torque (N.m)	0.4		
Screw thread	M2.5		
Stripping length (mm)	9~11		
Insulation material	PA		
T / W (mm)	5.1 / 71.5		
H / H on TS-35 (mm)	62.2 / 63		
Package	100		
Part number	Package		
DKK2.5NC	50		
DKNSPS-001	50		
DSS2.5N-02P	50		
DSS2.5N-03P	50		
DSS2.5N-04P	50		
DSS2.5N-05P	10		
DSS2.5N-10P	10		
DSS2.5N-20P	10		
DSS2.5N-6688-02P	50		
DSS2.5N-6688-03P	10		
DSS2.5N-6688-04P	10		
DSS2.5N-6688-05P	10		
CSC-2.502PN	50		
CSC-2.503PN	50		
CSC-2.504PN	50		
CSC-2.505PN	10		
CSC-2.510PN	10		
0175-T002			
0175L1			
TM47W	10		
TM-R200	10		
TS-35	20		
TS-35/15	10		
#0 / 3.0 DNT11-0201			

Screw Connection

DK Sensor/Actuator Terminal Blocks Introduction



DK1.5SG series supports the connection with 3-wire sensors. The user performs the wiring of the NPN and/or PNP according to the required conditions.

Cross connection bridges are available, with which DK1.5SG can connect the positive and negative electrodes to the same potential. DK1.5SGF-PE can further support grounding function.

The screw connection method makes stable electrical connection in the application of signal and power transmission. In addition, it can also equip with continuous flat marking labels and bridges in different colors, and using the excellent marking system to make the wiring identification more convenient.

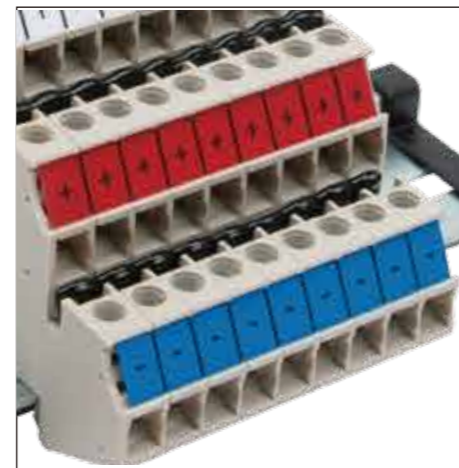


Advantages of screw connection:

1. Vibration resistance
2. Anti-loosening
3. Stable transmission



It can connect with various sensors to perform control process. DK1.5SGF mating with bridges can distribute the potential to various sensors. In addition, DK1.5SGF-PE also provides a grounding point for completion of sensor's grounded wiring.



Equipped with a continuous flat marking label, the terminal block can be identified clearly and make the installation convenient. Besides, the continuous flat marking label in different colors to identify the potentials easily when wiring.

Sensor / Actuator Terminal Blocks



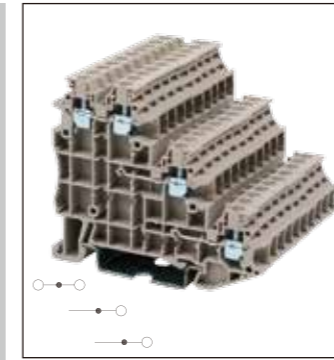
DK1.5SG.. is a sensor/actuator terminal block in 3 layers. The top layer supports signal lines, and the second and/or third layers support positive and negative potentials.

In addition, the third layer also supports insertion bridges to establish equipotential.

DK1.5SG..

Accessories

End cover	
Plug-in bridge	
Marking label	
Continuous flat marking label	
DIN rail	
Tool (mm)	



DK1.5SGF is a sensor/actuator terminal block in 3 layers. The top layer supports signal lines, and the second and/or third layers support positive and negative potentials.

In addition, the third layer also supports insertion bridges to establish equipotential.

DK1.5SGF

Part number	Package
DK1.5SGC	50
DSD02-1.580	20
TM47W	10
TM-R200	10
TS-35	20
TS-35/15	10
04 x 2.5 DNT11-0102	

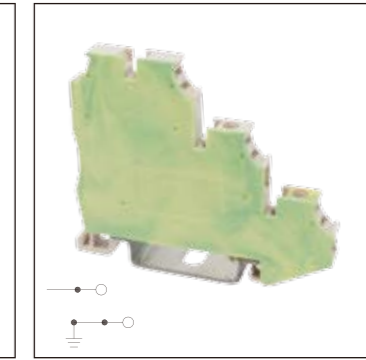


DK1.5SGF-PE is a sensor/actuator terminal block in 3 layers. The top layer supports signal lines, and the second and/or third layers support positive and negative potentials.

In addition, the third layer also supports insertion bridges to establish equipotential.

DK1.5SGF-PE

Part number	Package
DK1.5SGC	50
DSD02-1.580	20
TM47W	10
TM-R200	10
TS-35	20
TS-35/15	10
04 x 2.5 DNT11-0102	

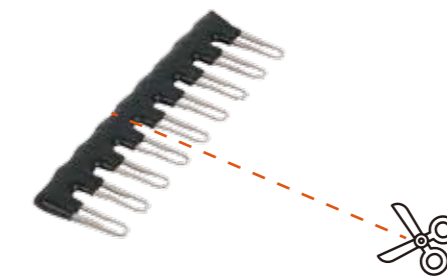


DK1.5SGF-PE is a sensor/actuator terminal block in 3 layers. The top layer supports signal lines, and the second and/or third layers support positive and negative potentials.

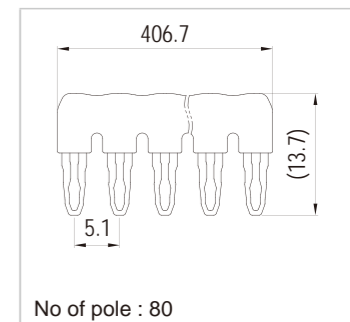
In addition, the third layer also supports insertion bridges to establish equipotential.

DK1.5SGF-PE

Part number	Package
DK1.5SGC	50
DSD02-1.580	20
TM47W	10
TM-R200	10
TS-35	20
TS-35/15	10
04 x 2.5 DNT11-0102	



Can be cut to required length.

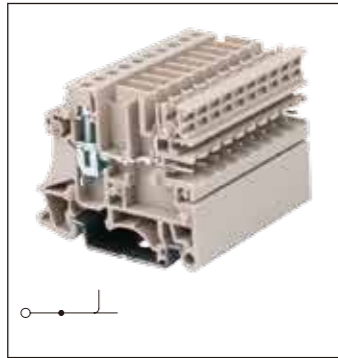


Part number	Color
DSD02-1.580	Black
DSD02-1.580-GN	Green
DSD02-1.580-RD	Red
DSD02-1.580-BL	Blue



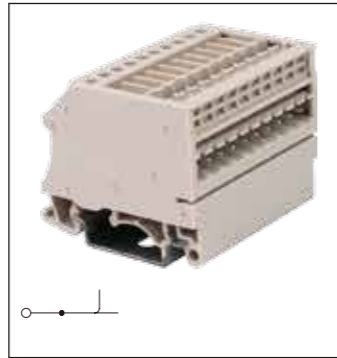
Modular terminal blocks with sockets on one side are demanded frequently in control system. DKES1.5 series are equipped with two sockets, one vertical entry on top and one horizontal entry on the side, various plugs for options. Accessories include protection covers, insertion bridges and marking labels. The multi-position cover can be divided in any pole numbers and snapped into the housing as shock protection for the contact pins when removing the plugs.

DKES1.5..



DKES1.5		
Rated Data	UL	IEC
Rated Voltage (V)	300	250
Rated Current (A)	20	24
Rated impulse voltage	4KV	
Wire range (AWG/mm ²)	22-12	0.5-1.5
Connection Capacity		
Max. Solid (mm ²)	1.5	
Max. Stranded (mm ²)	1.5	
General Data		
Torque (N.m)	0.5	
Screw thread	M3	
Stripping length (mm)	9-10	
Insulation material	PA	
T / W (mm)	5.08 / 50.6	
H / H on TS-35 (mm)	42.4 / 43.5	

Color	Part number	Package
	DKES1.5	100



DKES1.5-XXP		
Rated Data	UL	IEC
Rated Voltage (V)	300	250
Rated Current (A)	20	24
Rated impulse voltage	4KV	
Wire range (AWG/mm ²)	22-12	0.5-1.5
Connection Capacity		
Max. Solid (mm ²)	1.5	
Max. Stranded (mm ²)	1.5	
General Data		
Torque (N.m)	0.5	
Screw thread	M3	
Stripping length (mm)	9-10	
Insulation material	PA	
T / W (mm)	5.08 / 50.6	
H / H on TS-35 (mm)	42.4 / 43.5	

Color	Part number	Package
	DKES1.5-01P	100
	DKES1.5-02P-06P	50
	DKES1.5-07P-10P	20



DKES1.5M-XXP		
Rated Data	UL	IEC
Rated Voltage (V)	300	250
Rated Current (A)	20	24
Rated impulse voltage	4KV	
Wire range (AWG/mm ²)	22-12	0.5-1.5
Connection Capacity		
Max. Solid (mm ²)	1.5	
Max. Stranded (mm ²)	1.5	
General Data		
Torque (N.m)	0.5	
Screw thread	M3	
Stripping length (mm)	9-10	
Insulation material	PA	
T / W (mm)	5.08 / 50.6	
H / H on TS-35 (mm)	42.4 / 43.5	

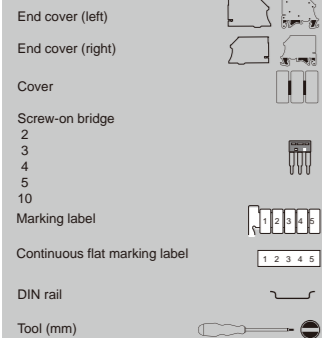
Color	Part number	Package
	DKES1.5M-01P	100
	DKES1.5M-02P-06P	50
	DKES1.5M-07P-10P	20

Part number	Package
DKES1.5CA / DKES1.5MCA	50
DKES1.5CB / DKES1.5MCB	50
DKESP1.5-XXP	50
DS2.5-02P	50
DS2.5-03P	50
DS2.5-04P	50
DS2.5-08P	10
DS2.5-10P	10
TM47W	10
TM-R200	10
TS-35	20
TS-35/15	10
0.6 x 3.5 DNT11-0107	

Part number	Package
DS2.5-02P	50
DS2.5-03P	50
DS2.5-04P	50
DS2.5-08P	10
DS2.5-10P	10
TM47W	10
TM-R200	10
TS-35	20
TS-35/15	10
0.6 x 3.5 DNT11-0107	

Part number	Package
DS2.5-02P	50
DS2.5-03P	50
DS2.5-04P	50
DS2.5-08P	10
DS2.5-10P	10
TM47W	10
TM-R200	10
TS-35	20
TS-35/15	10
0.6 x 2.5 DNT11-0107	

Accessories

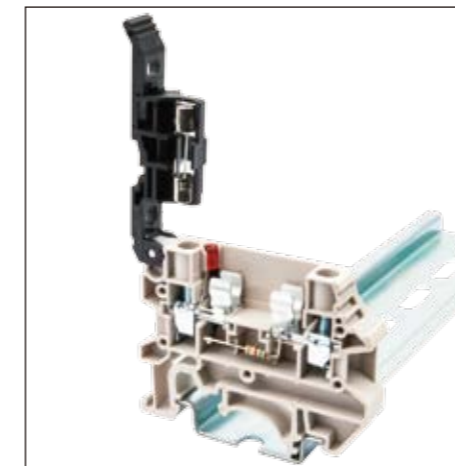
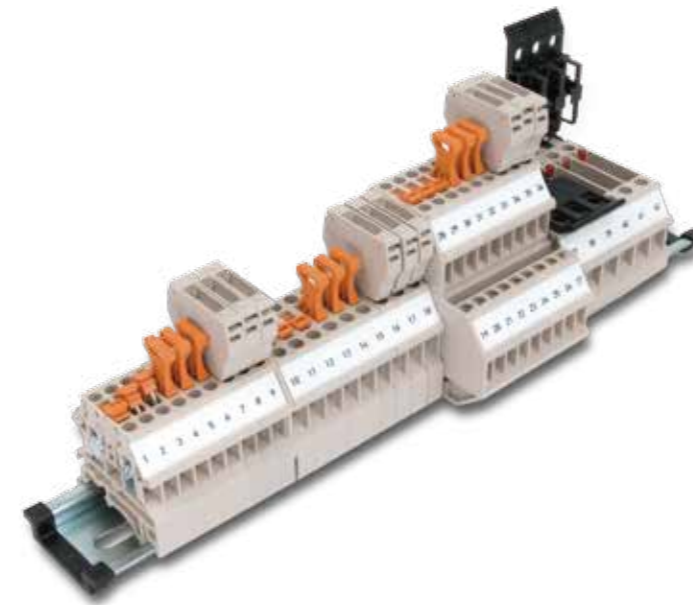


DK Knife and Disconnect Terminal Blocks Introduction

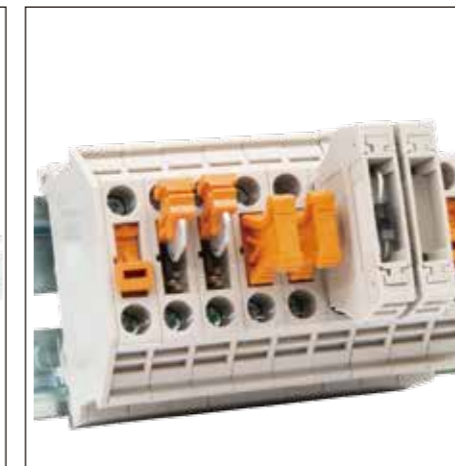
The fuse type terminal block supports glass cartridge fuse and 2-way LED indicator in application. Besides, the double-layer terminal block structure greatly increases the efficiency of space applications.

The knife type terminal block can be quickly disconnected and connected by AKP-TP and AKP-TG. With AKP-CP, it can support resistors, diodes and other electronic components application.

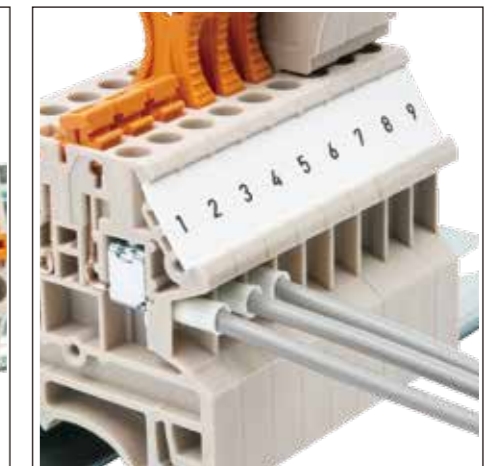
The screw connection method makes stable electrical connection in the application of signal and power transmission. In addition, it can also equip with continuous flat marking labels and bridges in different colors, and using the excellent marking system to make the wiring identification more convenient.



The blade comes with insulator to prevent electrical shot. The fuse-type terminal block supports cartridge fuse, as well as 5V~300V LED indicators. Double-layer design, the upper level supports cartridge fuse, and the lower layer provides grounding function.



The AKP-TP and AKP-TG can be applied for quick disconnection. The AKP-CP is the carrier of electronic components supporting resistors, diodes and other electronic components to support various requirement for circuit testing.



Equipped with a continuous flat marking label, the terminal block can be identified clearly and make the installation convenient. Besides, the continuous flat marking label in different colors to identify the potentials easily when wiring.

Mating Plugs

Pole#	P/N	Pole#	P/N	Pole#	P/N	Pole#	P/N	Pole#	P/N	Pole#	P/N
2	2ESV-02P	2	2ESDV-02P	2	2ESV-02P	2	2ESDV-02P	2	2ESV-02P	2	2ESDV-02P
3	2ESV-03P	3	2ESDV-03P	3	2ESV-03P	3	2ESDV-03P	3	2ESV-03P	3	2ESDV-03P
4	2ESV-04P	4	2ESDV-04P	4	2ESV-04P	4	2ESDV-04P	4	2ESV-04P	4	2ESDV-04P
8	2ESV-08P	8	2ESDV-08P	8	2ESV-08P	8	2ESDV-08P	8	2ESV-08P	8	2ESDV-08P
10	2ESV-10P	8	2ESDV-08P	10	2ESV-10P	10	2ESDV-10P	10	2ESV-10P	10	2ESDV-10P

Knife and Disconnect Terminal Blocks



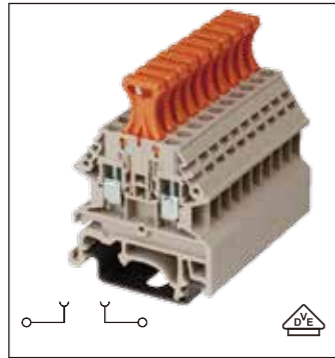
DK2.5N-T series is a design with a universal socket on the top, which facilitates the insertion of different kinds of isolation plug, feed-through connectors and component connectors to carry out the disconnect function.

A complete range of accessories is available for easy identification, grouping and plug-in bridge applications.

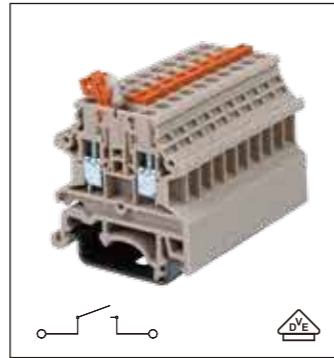
DK2.5N-T

Accessories

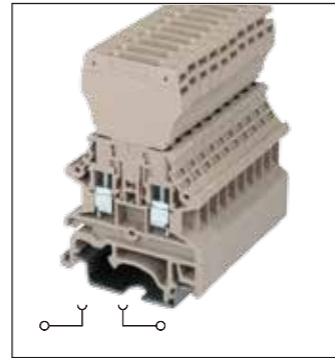
End cover	
Insertion bridge	
2	
3	
4	
5	
10	
Marking label	
Continuous flat marking label	
DIN rail	
Tool (mm)	



DK2.5N-TP		
Rated Data	UL	IEC
Rated Voltage (V)	300	400
Rated Current (A)	20	24
Rated impulse voltage	6KV	
Wire range (AWG/mm ²)	22-12	0.34-2.5
Connection Capacity		
Max. Solid (mm ²)	4	
Max. Stranded (mm ²)	2.5	
General Data		
Torque (N.m)	0.4	
Screw thread	M2.5	
Stripping length (mm)	9-11	
Insulation material	PA	
T / W (mm)	5.1 / 40.7	
H / H on TS-35 (mm)	55 / 55.9	
Package	100	
Color	Part number	Package
■	DK2.5N-TP-RD	100
■	DK2.5N-TP-BL	100
Part number	Package	
DK4NC	50	
CSC-2.502PN	50	
CSC-2.503PN	50	
CSC-2.504PN	50	
CSC-2.505PN	10	
CSC-2.510PN	10	
TM47W	10	
TM-R200	10	
TS-35	20	
TS-35/15	10	
#0 / 3.0 DNT11-0201		

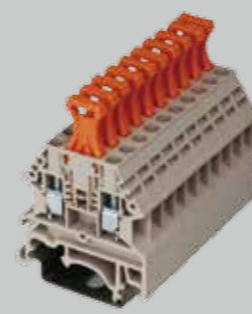
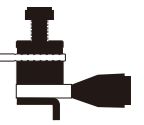


DK2.5N-TG		
Rated Data	UL	IEC
Rated Voltage (V)	300	400
Rated Current (A)	20	24
Rated impulse voltage	6KV	
Wire range (AWG/mm ²)	22-12	0.34-2.5
Connection Capacity		
Max. Solid (mm ²)	4	
Max. Stranded (mm ²)	2.5	
General Data		
Torque (N.m)	0.4	
Screw thread	M2.5	
Stripping length (mm)	9-11	
Insulation material	PA	
T / W (mm)	5.1 / 40.7	
H / H on TS-35 (mm)	42.6 / 43.5	
Package	100	
Color	Part number	Package
■	DK2.5N-TG-RD	100
■	DK2.5N-TG-BL	100
Part number	Package	
DK4NC	50	
CSC-2.502PN	50	
CSC-2.503PN	50	
CSC-2.504PN	50	
CSC-2.505PN	10	
CSC-2.510PN	10	
TM47W	10	
TM-R200	10	
TS-35	20	
TS-35/15	10	
#0 / 3.0 DNT11-0201		



DK2.5N-CP		
Rated Data	UL	IEC
Rated Voltage (V)	300	400
Rated Current (A)	6	6
Rated impulse voltage	6KV	
Wire range (AWG/mm ²)	22-12	0.34-2.5
Connection Capacity		
Max. Solid (mm ²)	4	
Max. Stranded (mm ²)	2.5	
General Data		
Torque (N.m)	0.4	
Screw thread	M2.5	
Stripping length (mm)	9-11	
Insulation material	PA	
T / W (mm)	5.1 / 40.7	
H / H on TS-35 (mm)	62.1 / 63	
Package	100	
Color	Part number	Package
■	DK2.5N-CP-RD	100
■	DK2.5N-CP-BL	100
Part number	Package	
DK4NC	50	
CSC-2.502PN	50	
CSC-2.503PN	50	
CSC-2.504PN	50	
CSC-2.505PN	10	
CSC-2.510PN	10	
TM47W	10	
TM-R200	10	
TS-35	20	
TS-35/15	10	
#0 / 3.0 DNT11-0201		

Knife and Disconnect Terminal Blocks



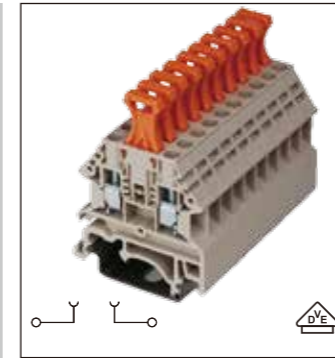
DK4N-T series is a design with a universal socket on the top, which facilitates the insertion of different kinds of isolation plug, feed-through connectors and component connectors to carry out the disconnect function.

A complete range of accessories is available for easy identification, grouping and plug-in bridge applications.

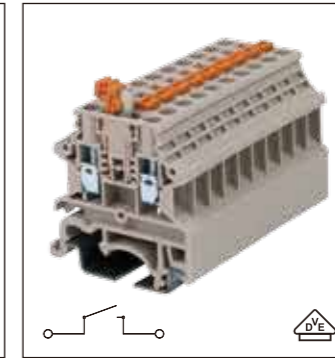
DK4N-T

Accessories

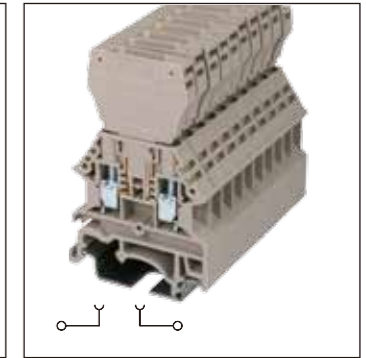
End cover	
Insertion bridge	
2	
3	
4	
5	
10	
Marking label	
Continuous flat marking label	
DIN rail	
Tool (mm)	



DK4N-TP		
Rated Data	UL	IEC
Rated Voltage (V)	300	400
Rated Current (A)	30	32
Rated impulse voltage	6KV	
Wire range (AWG/mm ²)	22-10	0.34-4
Connection Capacity		
Max. Solid (mm ²)	6	
Max. Stranded (mm ²)	4	
General Data		
Torque (N.m)	0.6	
Screw thread	M3	
Stripping length (mm)	9-11	
Insulation material	PA	
T / W (mm)	6.1 / 40.7	
H / H on TS-35 (mm)	55 / 55.9	
Package	100	
Color	Part number	Package
■	DK4N-TP-RD	100
■	DK4N-TP-BL	100
Part number	Package	
DK4NC	50	
CSC-402PN	50	
CSC-403PN	50	
CSC-404PN	50	
CSC-405PN	10	
CSC-410PN	10	
TM48W	10	
TM-R200	10	
TS-35	20	
TS-35/15	10	
#0 / 3.0 DNT11-0201		



DK4N-TG		
Rated Data	UL	IEC
Rated Voltage (V)	300	400
Rated Current (A)	30	32
Rated impulse voltage	6KV	
Wire range (AWG/mm ²)	22-10	0.34-4
Connection Capacity		
Max. Solid (mm ²)	6	
Max. Stranded (mm ²)	4	
General Data		
Torque (N.m)	0.6	
Screw thread	M3	
Stripping length (mm)	9-11	
Insulation material	PA	
T / W (mm)	6.1 / 40.7	
H / H on TS-35 (mm)	42.6 / 43.5	
Package	100	
Color	Part number	Package
■	DK4N-TG-RD	100
■	DK4N-TG-BL	100
Part number	Package	
DK4NC	50	
CSC-402PN	50	
CSC-403PN	50	
CSC-404PN	50	
CSC-405PN	10	
CSC-410PN	10	
TM48W	10	
TM-R200	10	
TS-35	20	
TS-35/15	10	
#0 / 3.0 DNT11-0201		



DK4N-CP		
Rated Data	UL	IEC
Rated Voltage (V)	300	400
Rated Current (A)	6	6
Rated impulse voltage	6KV	
Wire range (AWG/mm ²)	22-10	0.34-4
Connection Capacity		
Max. Solid (mm ²)	6	
Max. Stranded (mm ²)	4	
General Data		
Torque (N.m)	0.6	
Screw thread	M3	
Stripping length (mm)	9-11	
Insulation material	PA	
T / W (mm)	6.1 / 40.7	
H / H on TS-35 (mm)	62.1 / 63	
Package	100	
Color	Part number	Package
■	DK4N-CP-RD	100
■	DK4N-CP-BL	100
Part number	Package	
DK4NC	50	
CSC-402PN	50	
CSC-403PN	50	
CSC-404PN	50	
CSC-405PN	10	
CSC-410PN	10	
TM48W	10	
TM-R200	10	
TS-35	20	
TS-35/15	10	
#0 / 3.0 DNT11-0201		

Screw Connection

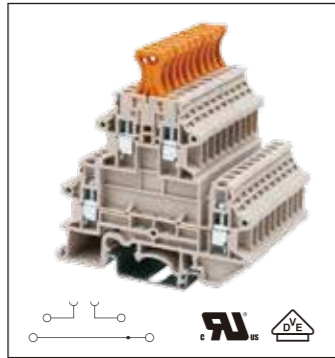
Bi-Level Knife and Disconnect Terminal Blocks



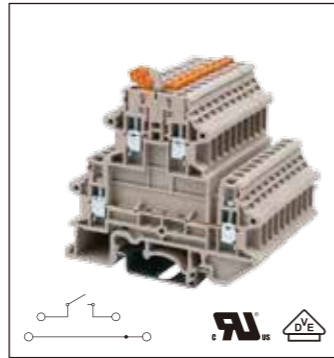
DKK2.5N-TN-T series is a double-layer basic terminal block with independent potential each layer. The universal socket on the top, which facilitates the insertion of different kinds of isolation plug, feed-through connectors and component connectors to carry out the disconnect function.

A complete range of accessories is available for easy identification, grouping and plug-in bridge applications.

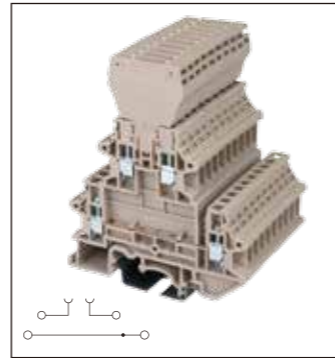
DKK2.5N-T



DKK2.5N-TP		
Rated Data	UL	IEC
Rated Voltage (V)	300	400
Rated Current (A)	20	23
Rated impulse voltage	6KV	
Wire range (AWG/mm ²)	22~12	0.34~2.5
Connection Capacity		
Max. Solid (mm ²)	4	
Max. Stranded (mm ²)	2.5	
General Data		
Torque (N.m)	0.4	
Screw thread	M2.5	
Stripping length (mm)	9~11	
Insulation material	PA	
T / W (mm)	5.1 / 71.5	
H / H on TS-35 (mm)	76.3 / 77.1	
Package	50	



DKK2.5N-TG		
Rated Data	UL	IEC
Rated Voltage (V)	300	400
Rated Current (A)	20	21
Rated impulse voltage	6KV	
Wire range (AWG/mm ²)	22~12	0.34~2.5
Connection Capacity		
Max. Solid (mm ²)	4	
Max. Stranded (mm ²)	2.5	
General Data		
Torque (N.m)	0.4	
Screw thread	M2.5	
Stripping length (mm)	9~11	
Insulation material	PA	
T / W (mm)	5.1 / 71.5	
H / H on TS-35 (mm)	63.9 / 64.7	
Package	50	



DKK2.5N-CP		
Rated Data	UL	IEC
Rated Voltage (V)	300	400
Rated Current (A)	6	6
Rated impulse voltage	6KV	
Wire range (AWG/mm ²)	22~12	0.34~2.5
Connection Capacity		
Max. Solid (mm ²)	4	
Max. Stranded (mm ²)	2.5	
General Data		
Torque (N.m)	0.4	
Screw thread	M2.5	
Stripping length (mm)	9~11	
Insulation material	PA	
T / W (mm)	5.1 / 71.5	
H / H on TS-35 (mm)	83.4 / 84.2	
Package	50	

Accessories

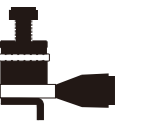
End cover	
Plug-in bridge	
2	
3	
4	
5	
10	
20	
Insertion bridge	
2	
3	
4	
5	
10	
Marking label	
Continuous flat marking label	
DIN rail	
Tool (mm)	

Color	Part number	Package
■	DKK2.5N-TP-RD	50
■	DKK2.5N-TP-BL	50
Part number Package		
DKK2.5NC	50	
DSS2.5N-02P	50	
DSS2.5N-03P	50	
DSS2.5N-04P	50	
DSS2.5N-05P	10	
DSS2.5N-10P	10	
DSS2.5N-20P	10	
CSC-2.502PN	50	
CSC-2.503PN	50	
CSC-2.504PN	50	
CSC-2.505PN	10	
CSC-2.510PN	10	
TM47W	10	
TM-R200	10	
TS-35	20	
TS-35/15	10	
#0 / 3.0 DNT11-0201		

Color	Part number	Package
■	DKK2.5N-TG-RD	50
■	DKK2.5N-TG-BL	50
Part number Package		
DKK2.5NC	50	
DSS2.5N-02P	50	
DSS2.5N-03P	50	
DSS2.5N-04P	50	
DSS2.5N-05P	10	
DSS2.5N-10P	10	
DSS2.5N-20P	10	
CSC-2.502PN	50	
CSC-2.503PN	50	
CSC-2.504PN	50	
CSC-2.505PN	10	
CSC-2.510PN	10	
TM47W	10	
TM-R200	10	
TS-35	20	
TS-35/15	10	
#0 / 3.0 DNT11-0201		

Color	Part number	Package
■	DKK2.5N-CP-RD	50
■	DKK2.5N-CP-BL	50
Part number Package		
DKK2.5NC	50	
DSS2.5N-02P	50	
DSS2.5N-03P	50	
DSS2.5N-04P	50	
DSS2.5N-05P	10	
DSS2.5N-10P	10	
DSS2.5N-20P	10	
CSC-2.502PN	50	
CSC-2.503PN	50	
CSC-2.504PN	50	
CSC-2.505PN	10	
CSC-2.510PN	10	
TM47W	10	
TM-R200	10	
TS-35	20	
TS-35/15	10	
#0 / 3.0 DNT11-0201		

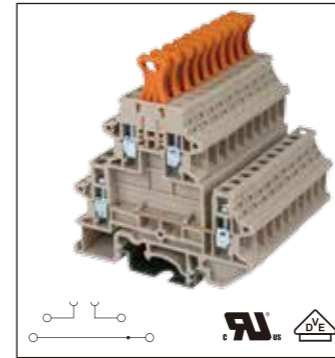
Bi-Level Knife and Disconnect Terminal Blocks



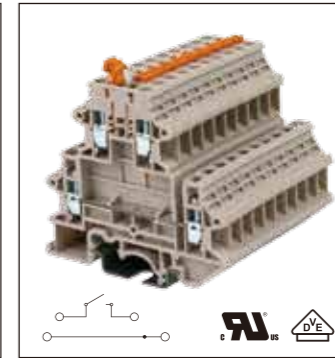
DKK4N-TN-T series is a double-layer basic terminal block with independent potential each layer. The universal socket on the top, which facilitates the insertion of different kinds of isolation plug, feed-through connectors and component connectors to carry out the disconnect function.

A complete range of accessories is available for easy identification, grouping and plug-in bridge applications.

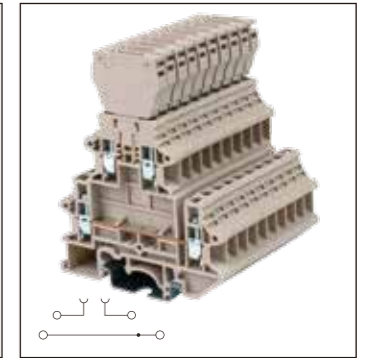
DKK4N-T



DKK4N-TP		
Rated Data	UL	IEC
Rated Voltage (V)	300	400
Rated Current (A)	30	32
Rated impulse voltage	6KV	
Wire range (AWG/mm ²)	22~10	0.34~4
Connection Capacity		
Max. Solid (mm ²)	6	
Max. Stranded (mm ²)	4	
General Data		
Torque (N.m)	0.6	
Screw thread	M3	
Stripping length (mm)	9~11	
Insulation material	PA	
T / W (mm)	6.1 / 71.5	
H / H on TS-35 (mm)	76.3 / 77.1	
Package	50	



DKK4N-TG		
Rated Data	UL	IEC
Rated Voltage (V)	300	400
Rated Current (A)	30	32
Rated impulse voltage	6KV	
Wire range (AWG/mm ²)	22~10	0.34~4
Connection Capacity		
Max. Solid (mm ²)	6	
Max. Stranded (mm ²)	4	
General Data		
Torque (N.m)	0.6	
Screw thread	M3	
Stripping length (mm)	9~11	
Insulation material	PA	
T / W (mm)	6.1 / 71.5	
H / H on TS-35 (mm)	63.9 / 64.7	
Package	50	



DKK4N-CP		
Rated Data	UL	IEC
Rated Voltage (V)	300	400
Rated Current (A)	6	6
Rated impulse voltage	6KV	
Wire range (AWG/mm ²)	22~10	0.34~4
Connection Capacity		
Max. Solid (mm ²)	6	
Max. Stranded (mm ²)	4	
General Data		
Torque (N.m)	0.6	
Screw thread	M3	
Stripping length (mm)	9~11	
Insulation material	PA	
T / W (mm)	6.1 / 71.5	
H / H on TS-35 (mm)	83.4 / 84.2	
Package	50	

Accessories

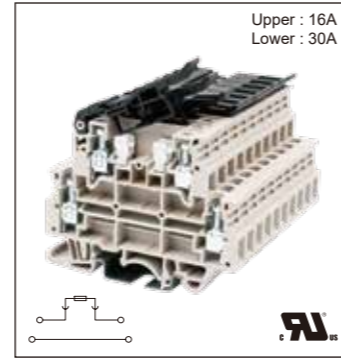
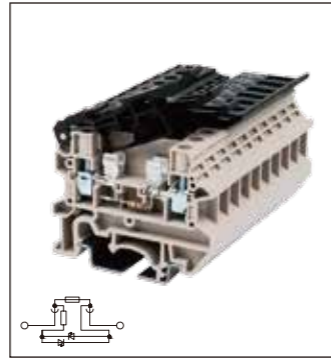
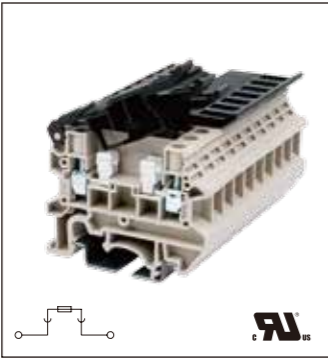
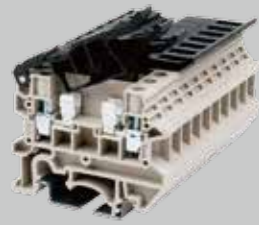
End cover	
Plug-in bridge	
2	
3	
4	
5	
10	
20	
Insertion bridge	
2	
3	
4	
5	
10	
Marking label	
Continuous flat marking label	
DIN rail	
Tool (mm)	

Color	Part number	Package
■	DKK4N-TP-RD	50
■	DKK4N-TP-BL	50
Part number Package		
DKK4N-TP	50	
DSS4N-02P	50	
DSS4N-03P	50	
DSS4N-04P	50	
DSS4N-05P	10	
DSS4N-10P	10	
DSS4N-20P	10	
CSC-402PN	50	
CSC-403PN	50	
CSC-404PN	50	
CSC-405PN	10	
CSC-410PN	10	
TM48W	10	
TM-R200	10	
TS-35	20	
TS-35/15	10	
#0 / 3.0 DNT11-0201		

Color	Part number	Package
■	DKK4N-TG-RD	50
■	DKK4N-TG-BL	50
Part number Package		
DKK4N-TG	50	
DSS4N-02P	50	
DSS4N-03P	50	
DSS4N-04P	50	
DSS4N-05P	10	
DSS4N-10P	10	
DSS4N-20P	10	
CSC-402PN	50	
CSC-403PN	50	
CSC-404PN	50	
CSC-405PN	10	
CSC-410PN	10	
TM48W	10	
TM-R200	10	
TS-35	20	
TS-35/15	10	
#0 / 3.0 DNT11-0201		

Color	Part number	Package
■	DKK4N-CP-RD	50
■	DKK4N-CP-BL	50
Part number Package		
DKK4N-CP	50	
DSS4N-02P	50	
DSS4N-03P	50	
DSS4N-04P	50	
DSS4N-05P	10	
DSS4N-10P	10	
DSS4N-20P	10	
CSC-2.502PN	50	
CSC-2.503PN	50	
CSC-2.504PN	50	
CSC-2.505PN	10	
CSC-2.510PN	10	
TM48W	10	
TM-R200	10	
TS-35	20	
TS-35/15	10	
#0 / 3.0 DNT11-0201		

Lever-Type Fuse Disconnect Terminal Blocks



Fuse and disconnect terminal blocks can utilize the standard 5X20mm fuse through the lever type fuse holder. The fuse holder can be lifted for quick fuse replacement in the compartment. The product takes the advantages of simple power distribution and easy fuse insertion.

Fuse is excluded in the standard part number.

DK..N-TF(5X20)

Accessories	
End cover	
Insertion bridge	
2	
3	
4	
5	
10	
Fuse	
Marking label	
Continuous flat marking label	
DIN rail	
Tool (mm)	

DK4N-TF(5X20)		
Rated Data	UL	IEC
Rated Voltage (V)	600	800
Rated Current (A)	12	12
Rated impulse voltage	6KV	
Wire range (AWG/mm ²)	22~10	0.14~4
Connection Capacity		
Max. Solid (mm ²)	6	
Max. Stranded (mm ²)	4	
General Data		
Torque (N.m)	0.53	
Screw thread	M3	
Stripping length (mm)	8~10	
Insulation material	PA	
T / W (mm)	8 / 53.3	
H / H on TS-35 (mm)	46.3 / 47.3	
Package	50	
Part number	Package	
DK4NC-TF	100	
CSC-602PN	50	
CSC-603PN	50	
CSC-604PN	50	
CSC-605PN	10	
CSC-610PN	10	
FUK1A-01	50	
FUK2A-01	50	
FUK6.3A-01	50	
TM49W	10	
TM-R200	10	
TS-35	20	
TS-35/15	10	
#0 / 3.0 DNT11-0201		

DK4N-TFL(5X20)		
Rated Data	UL	IEC
Rated Voltage (V)	600	800
Rated Current (A)	12	12
Rated impulse voltage	6KV	
Wire range (AWG/mm ²)	22~10	0.14~4
Connection Capacity		
Max. Solid (mm ²)	6	
Max. Stranded (mm ²)	4	
General Data		
Torque (N.m)	0.53	
Screw thread	M3	
Stripping length (mm)	8~10	
Insulation material	PA	
T / W (mm)	8 / 53.3	
H / H on TS-35 (mm)	46.3 / 47.3	
Package	50	
Part number	Package	
DK4NC-TF	100	
CSC-602PN	50	
CSC-603PN	50	
CSC-604PN	50	
CSC-605PN	10	
CSC-610PN	10	
FUK1A-01	50	
FUK2A-01	50	
FUK6.3A-01	50	
TM49W	10	
TM-R200	10	
TS-35	20	
TS-35/15	10	
#0 / 3.0 DNT11-0201		

DKK4-TF(5X20)		
Rated Data	UL	IEC
Rated Voltage (V)	300V	800V
Rated Current (A)	16 / 30A	16 / 30A
Rated impulse voltage	8KV	
Wire range (AWG/mm ²)	22~10	0.14~4
Connection Capacity		
Max. Solid (mm ²)	6	
Max. Stranded (mm ²)	4	
General Data		
Torque (N.m)	0.67	
Screw thread	M3.5	
Stripping length (mm)	10~12	
Insulation material	PA	
T / W (mm)	8 / 72.5	
H / H on TS-35 (mm)	60.5 / 61.2	
Package	100	
Part number	Package	
DKK4C-TF(5X20)	50	
CSC-602PN	50	
CSC-603PN	50	
CSC-604PN	50	
CSC-605PN	10	
CSC-610PN	10	
FUK1A-01	50	
FUK2A-01	50	
FUK6.3A-01	50	
TM49W	10	
TM-R200	10	
TS-35	20	
TS-35/15	10	
0.6 x 3.5 DNT11-0107		

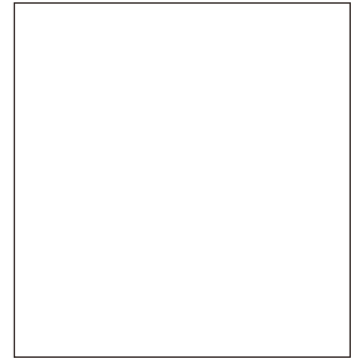
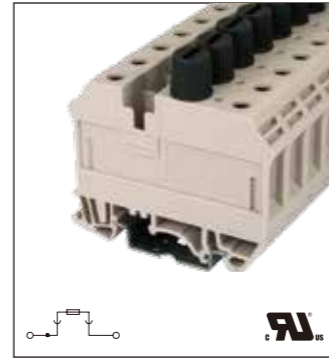
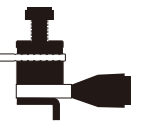
Fuse size 5X20

Part Number	Current (A)
FUK1A-01	1
FUK2A-01	2
FUK6.3A-01	6.3

* DK4N-TFL(5X20) with LED display.

Part number	LED	Voltage
DK4N-TFL5(5X20)	with LED light	5V
DK4N-TFL12(5X20)	with LED light	12V
DK4N-TFL24(5X20)	with LED light	24V
DK4N-TFL48(5X20)	with LED light	48V
DK4N-TFL110(5X20)	with LED light	110V
DK4N-TFL220(5X20)	with LED light	220V
DK4N-TFL300(5X20)	with LED light	300V

Fuse and Disconnect Terminal Blocks



This fuse and disconnect terminal block can install the standard 5X20mm fuse through the fuse cartridge. The fuse cartridge can screw onto the base terminal block to perform the disconnecting function. This product takes the advantages of simple power distribution and easy fuse insertion.

Fuse is excluded in the standard part number.

DK...TF(5X20)

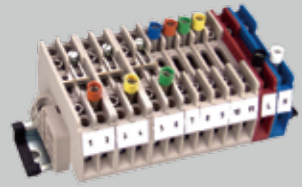
Accessories	
Insertion bridge	
2	
3	
10	
Screw-on bridge	
Fuse	
Marking label	
Continuous flat marking label	
DIN rail	
Tool (mm)	

DK10-TF(5X20)		
Rated Data	UL	IEC
Rated Voltage (V)	600	800
Rated Current (A)	6.3	6.3
Rated impulse voltage	8KV	
Wire range (AWG/mm ²)	22~6	0.15~10
Connection Capacity		
Max. Solid (mm ²)	16	
Max. Stranded (mm ²)	10	
General Data		
Torque (N.m)	1.8	
Screw thread	M4	
Stripping length (mm)	12~16	
Insulation material	PA	
T / W (mm)	12 / 61.63	
H / H on TS-35 (mm)	57.8 / 58.6	
Package	50	
Part number	Package	
CSC-1602PN	10	
CSC-1603PN	10	
CSC-1610PN	10	
DS16-02P		
DS16-10P	10	
FUK1A-01	50	
FUK2A-01	50	
FUK6.3A-01	50	
TM45W	10	
TM-R200	10	
TS-35	20	
TS-35/15	10	
0.8 x 4 DNT11-0109		

DK10-TFA(5X20)		
Rated Data	UL	IEC
Rated Voltage (V)	600	800
Rated Current (A)	6.3	6.3
Rated impulse voltage	8KV	
Wire range (AWG/mm ²)	22~6	0.15~10
Connection Capacity		
Max. Solid (mm ²)	16	
Max. Stranded (mm ²)	10	
General Data		
Torque (N.m)	1.8	
Screw thread	M4	
Stripping length (mm)	12~16	
Insulation material	PA	
T / W (mm)	12 / 61.63	
H / H on TS-35 (mm)	57.8 / 58.6	
Package	50	
Part number	Package	
CSC-1602PN	10	
CSC-1603PN	10	
CSC-1610PN	10	
DS16-02P		
DS16-10P	10	
FUK1A-01	50	
FUK2A-01	50	
FUK6.3A-01	50	
TM45W	10	
TM-R200	10	
TS-35	20	
TS-35/15	10	
0.8 x 4 DNT11-0109		

Screw Connection		
Rated Data	UL	IEC
Rated Voltage (V)	600	800
Rated Current (A)	6.3	6.3
Rated impulse voltage	8KV	
Wire range (AWG/mm ²)	22~6	0.15~10
Connection Capacity		
Max. Solid (mm ²)	16	
Max. Stranded (mm ²)	10	
General Data		
Torque (N.m)	1.8	
Screw thread	M4	
Stripping length (mm)	12~16	
Insulation material	PA	
T / W (mm)	12 / 61.63	
H / H on TS-35 (mm)	57.8 / 58.6	
Package	50	
Part number	Package	
CSC-1602PN	10	
CSC-1603PN	10	
CSC-1610PN	10	
DS16-02P		
DS16-10P	10	
FUK1A-01	50	
FUK2A-01	50	
FUK6.3A-01	50	
TM45W	10	
TM-R200	10	
TS-35	20	
TS-35/15	10	
0.8 x 4 DNT11-0109		

Test Disconnect Terminal Blocks

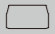




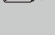








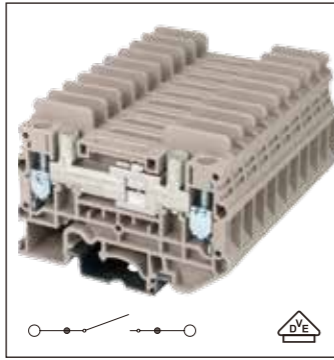
The test disconnect terminal blocks are designed specifically for the secondary circuit of current transformers. DKTD6N can be easily design with screw-on bridges, switch bars and 4mm ø test plugs as a simple detection circuit.

To check the signal inside the circuit with a 4 mm ø test probe, only two terminal blocks are needed to confirm if the current transformer secondary circuit is conducting. Less space is required to connect multiple measuring devices or protective relays.

DKT..N

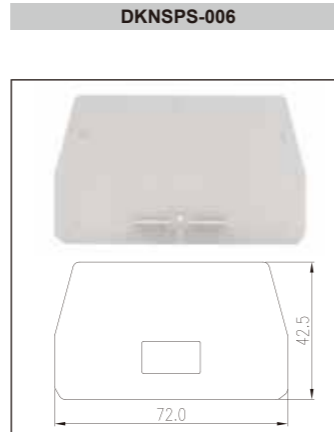
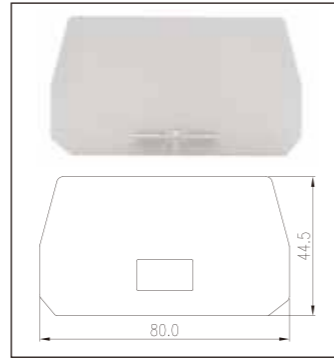
Accessories

- End cover 
- Partition plate 
- Separating disk 
- Switching jumper 
- Test plug 
- Cross connection screw with test socket 
- Screw-on bridge 
- Marking label 
- Continuous flat marking label 
- Safety cap 
- DIN rail 
- Tool (mm) 

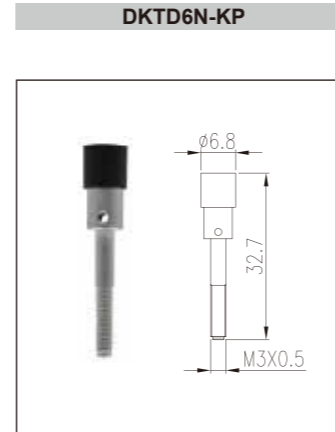
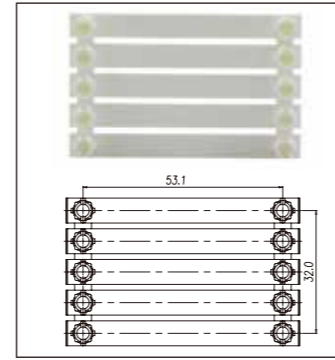


DKTD6N		
Rated Data	UL	IEC
Rated Voltage (V)	300	800
Rated Current (A)	42	41
Rated impulse voltage	8KV	
Wire range (AWG/mm ²)	20~8	0.5~6
Connection Capacity		
Max. Solid (mm ²)	10	
Max. Stranded (mm ²)	6	
General Data		
Torque (N.m)	1.2	
Screw thread	M4	
Stripping length (mm)	9~10	
Insulation material	PA	
T / W (mm)	8 / 72.5	
H / H on TS-35 (mm)	49.6 / 50.5	
Package	50	

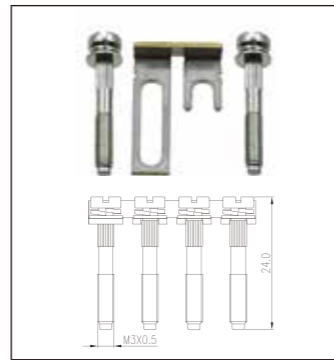
Color	Part number	Package
■	DKTD6N-RD	50
■	DKTD6N-BL	50
Part number		
	DKTD6NC	50
	DKNSPS-006	50
	DKNSPS-007	50
	DS6B01-02/03/04	100
■	C002-0101-BK	250
■	C002-0101-RD	250
■	DS6S4	200
■	DS6S4-OR	200
■	DS6S4-YW	200
■	DS6S4-RD	200
	DS6B02-02	50
	DS6B02-10	50
	TM49W	10
	TM-R200	10
	DKTD6N-KP/DKBC150-XXXX	50
	TS-35	20
	TS-35/15	10
	0.8 x 4 DNT11-0109	



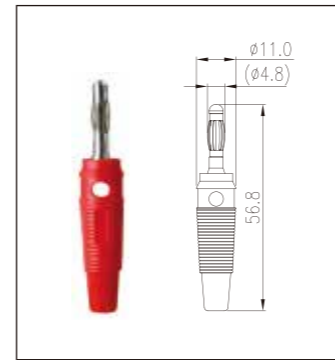
DKNSPS-007



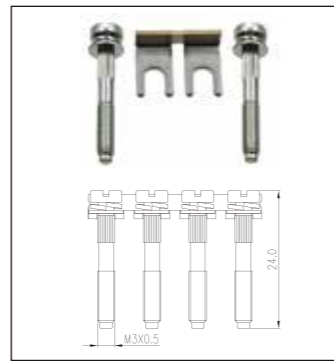
DS6S4



DS6B01-XX



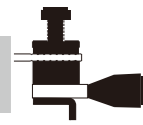
C002-0101



DS6B02-XX






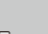


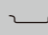




Miniature Feed-through Terminal Blocks

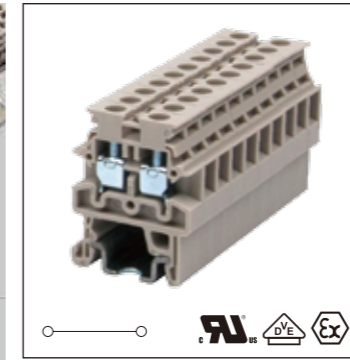


Power distribution is one of the most common switching tasks in control system. The main task of miniature modular terminal blocks in control design is to carry out power distribution. The compact micro-terminal block DK..S series meets the growing demand for smaller switch boxes suitable. Available accessories include insertion bridges and marking labels, suitable for TS-15 DIN rail mounting.

DK..S

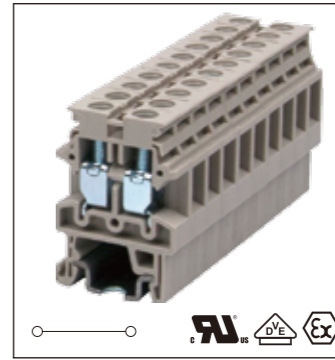
Accessories

- End cover 
- Plug-in bridge 
- 2 
- 3 
- 4 
- 5 
- 10 
- Marking label 
- Continuous flat marking label 
- DIN rail 
- Tool (mm) 



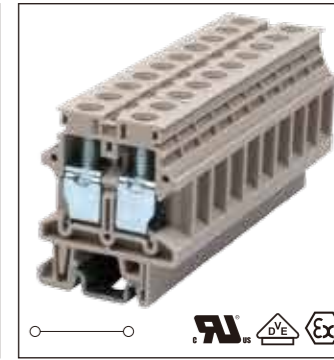
DK2.5S		
Rated Data	UL	IEC
Rated Voltage (V)	300	500
Rated Current (A)	20	24
Rated impulse voltage	4KV	
Wire range (AWG/mm ²)	22~12	0.34~2.5
Connection Capacity		
Max. Solid (mm ²)	4	
Max. Stranded (mm ²)	2.5	
General Data		
Torque (N.m)	0.4	
Screw thread	M2.5	
Stripping length (mm)	7~9	
Insulation material	PA	
T / W (mm)	5.1 / 22	
H / H on TS-15 (mm)	28 / 28.4	
Package	100	

Part number	Package
DK2.5PC	50
CSC-2.502PS	50
CSC-2.503PS	50
CSC-2.504PS	50
CSC-2.505PS	10
CSC-2.510PS	10
TM42W	10
TM-R100	10
TS-15	20
#0 / 3.0 DNT11-0201	



DK4S		
Rated Data	UL	IEC
Rated Voltage (V)	300	500
Rated Current (A)	30	32
Rated impulse voltage	4KV	
Wire range (AWG/mm ²)	22~10	0.34~4
Connection Capacity		
Max. Solid (mm ²)	6	
Max. Stranded (mm ²)	4	
General Data		
Torque (N.m)	0.6	0.5
Screw thread	M3	
Stripping length (mm)	7~9	
Insulation material	PA	
T / W (mm)	6.1 / 22	
H / H on TS-15 (mm)	31.5 / 31.9	
Package	100	

Part number	Package
DK4PC	50
CSC-402PS	50
CSC-403PS	50
CSC-404PS	50
CSC-405PS	10
CSC-410PS	10
TM43W	10
TM-R100	10
TS-15	20
#0 / 3.0 DNT11-0201	



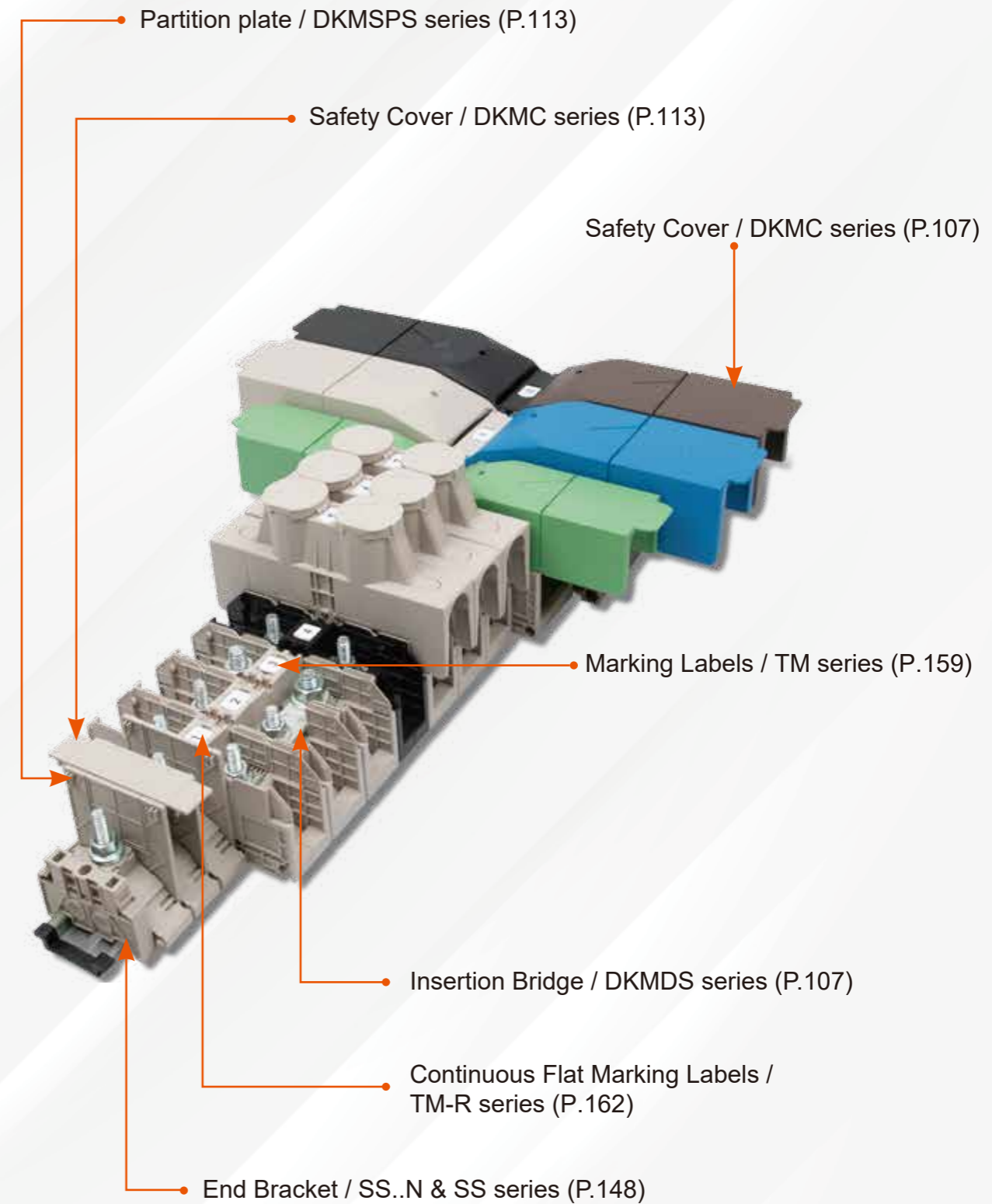
DK6S		
Rated Data	UL	IEC
Rated Voltage (V)	300	500
Rated Current (A)	50	41
Rated impulse voltage	4KV	
Wire range (AWG/mm ²)	20~8	0.5~6
Connection Capacity		
Max. Solid (mm ²)	10	
Max. Stranded (mm ²)	6	
General Data		
Torque (N.m)	1.2	
Screw thread	M4	
Stripping length (mm)	9~11	
Insulation material	PA	
T / W (mm)	8 / 30.3	
H / H on TS-15 (mm)	37.4 / 37.8	
Package	50	

Part number	Package
DK6PC	50
CSC-602PS	50
CSC-603PS	50
CSC-604PS	50
CSC-605PS	10
CSC-610PS	10
TM44W	10
TM-R100	10
TS-15	20
#1 / 5.0 DNT11-0202	

Stud Terminal Block



- DKM series are designed specifically for the safety of power distribution.
- Stud terminal blocks provide enhanced wiring secureness in harsh environments that require high vibration and shock resistance, such as vehicles and various transportation.
- Dinkle offers single and double-studs terminal, available for wire size 0.5mm² to 120mm². Up to four wire lugs can be connected on each stud.



Bolt Connection Terminal Blocks



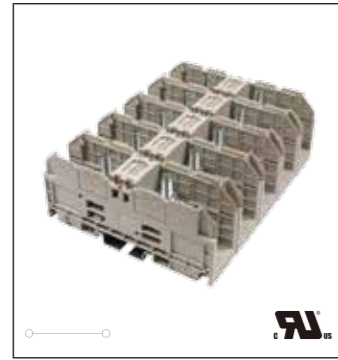
DKM... series is stud terminal blocks with wire range covering from 25mm² ~ 240mm², rated voltage reaches 1500V for higher voltage requirement.

Stud terminal blocks secure the safe connections for all types of energy transmission application. It also improves the safety of wire connections in high vibration and high impact areas, such as on vehicles, motors, transportation, and energy industries.

DKM..

Accessories

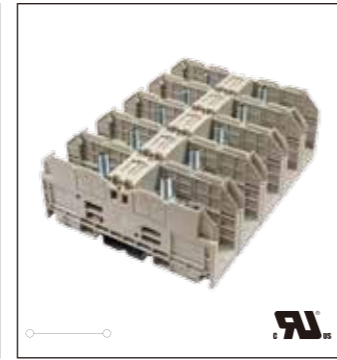
Safety cover	
Insertion bridge	
Marking label	
Continuous flat marking label	
DIN rail	
Long Hex Socket (mm)	



DKM25		
Rated Data	UL	IEC
Rated Voltage (V)	1500	1500
Rated Current (A)	85 / 100*	101
Rated impulse voltage	8KV	
Wire range (AWG/mm ²)	12~3	2.5~25
Connection Capacity		
Max. Solid (mm ²)	25	
Max. Stranded (mm ²)	25	
General Data		
Torque (N.m)	3~6	
Screw thread	M6	
Stripping length (mm)	-#	
Insulation material	PA	
T / W (mm)	27 / 107.7	
H / H on TS-35	49 / 50	
Package	10	

Part number	Package
DKMC-01	20
DKMDS01-02P	10
DKMDS01-03P	10
TM50W	10
TM-R200	10
TS-35	20
TS-35/15	10
H10	

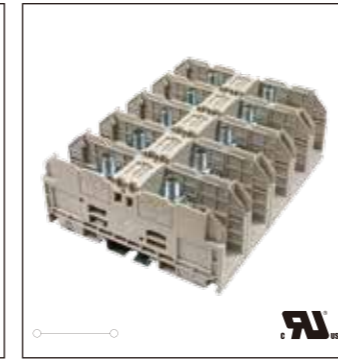
*Single Cable 85A / Double Cable 100A



DKM35		
Rated Data	UL	IEC
Rated Voltage (V)	1500	1500
Rated Current (A)	130 / 170*	125
Rated impulse voltage	8KV	
Wire range (AWG/mm ²)	12~1	2.5~35
Connection Capacity		
Max. Solid (mm ²)	35	
Max. Stranded (mm ²)	35	
General Data		
Torque (N.m)	3~6	
Screw thread	M6	
Stripping length (mm)	-#	
Insulation material	PA	
T / W (mm)	27 / 107.7	
H / H on TS-35	49 / 50	
Package	10	

Part number	Package
DKMC-01	20
DKMDS01-02P	10
DKMDS01-03P	10
TM50W	10
TM-R200	10
TS-35	20
TS-35/15	10
H10	

*Single Cable 130A / Double Cable 170A



DKM50		
Rated Data	UL	IEC
Rated Voltage (V)	1500	1500
Rated Current (A)	150 / 200*	150
Rated impulse voltage	8KV	
Wire range (AWG/mm ²)	12~1/0	2.5~50
Connection Capacity		
Max. Solid (mm ²)	50	
Max. Stranded (mm ²)	50	
General Data		
Torque (N.m)	6~12	
Screw thread	M8	
Stripping length (mm)	-#	
Insulation material	PA	
T / W (mm)	27 / 107.7	
H / H on TS-35	49 / 50	
Package	10	

Part number	Package
DKMC-01	20
DKMDS01-02P	10
DKMDS01-03P	10
TM50W	10
TM-R200	10
TS-35	20
TS-35/15	10
H13	

*Single Cable 150A / Double Cable 200A

The stripping length depends on the specification provided by the cable lug manufacturer.

Bolt Connection Terminal Blocks



DKM... series is stud terminal blocks with wire range covering from 25mm² ~ 240mm², rated voltage reaches 1500V for higher voltage requirement.

Stud terminal blocks secure the safe connections for all types of energy transmission application. It also improves the safety of wire connections in high vibration and high impact areas, such as on vehicles, motors, transportation, and energy industries.

DKM..

Accessories

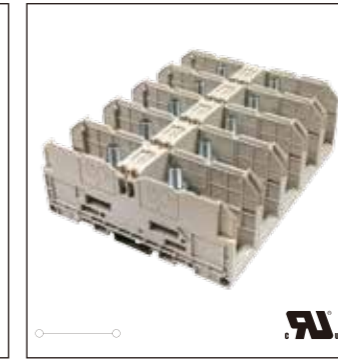
Safety cover	
Insertion bridge	
Marking label	
Continuous flat marking label	
DIN rail	
Long Hex Socket (mm)	



DKM70		
Rated Data	UL	IEC
Rated Voltage (V)	1500	1500
Rated Current (A)	175 / 230*	192
Rated impulse voltage	8KV	
Wire range (AWG/mm ²)	14~2/0	2.5~70
Connection Capacity		
Max. Solid (mm ²)	70	
Max. Stranded (mm ²)	70	
General Data		
Torque (N.m)	6~12	
Screw thread	M8	
Stripping length (mm)	-#	
Insulation material	PA	
T / W (mm)	32 / 132	
H / H on TS-35	57.2 / 58.2	
Package	10	

Part number	Package
DKMC-02	20
DKMDS02-02P	5
DKMDS02-03P	5
TM50W	10
TM-R200	10
TS-35	20
TS-35/15	10
H13	

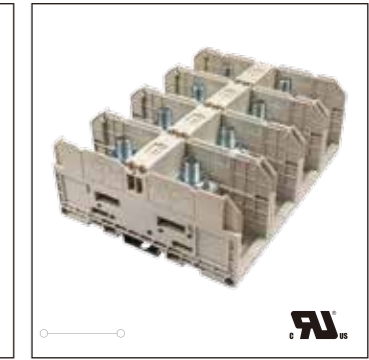
*Single Cable 175A / Double Cable 230A



DKM95		
Rated Data	UL	IEC
Rated Voltage (V)	1500	1500
Rated Current (A)	230 / 260*	232
Rated impulse voltage	8KV	
Wire range (AWG/mm ²)	14~4/0	2.5~95
Connection Capacity		
Max. Solid (mm ²)	95	
Max. Stranded (mm ²)	95	
General Data		
Torque (N.m)	6~12	
Screw thread	M8	
Stripping length (mm)	-#	
Insulation material	PA	
T / W (mm)	32 / 132	
H / H on TS-35	57.2 / 58.2	
Package	10	

Part number	Package
DKMC-02	20
DKMDS02-02P	5
DKMDS02-03P	5
TM50W	10
TM-R200	10
TS-35	20
TS-35/15	10
H13	

*Single Cable 230A / Double Cable 260A



DKM120		
Rated Data	UL	IEC
Rated Voltage (V)	1500	1500
Rated Current (A)	255 / 300*	269
Rated impulse voltage	8KV	
Wire range (AWG/mm ²)	10~250kcmil	6~120
Connection Capacity		
Max. Solid (mm ²)	120	
Max. Stranded (mm ²)	120	
General Data		
Torque (N.m)	10~20	
Screw thread	M10	
Stripping length (mm)	-#	
Insulation material	PA	
T / W (mm)	42 / 132	
H / H on TS-35	61.6 / 62.6	
Package	4	

Part number	Package
DKMC-03	8
DKMDS03-02P	5
DKMDS03-03P	5
TM50W	10
TM-R200	10
TS-35	20
TS-35/15	10
H17	

*Single Cable 255A / Double Cable 300A

The stripping length depends on the specification provided by the cable lug manufacturer.

Screw Connection

Bolt Connection Terminal Blocks

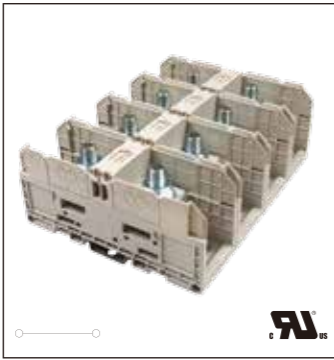


DKM... series is stud terminal blocks with wire range covering from 25mm² ~ 240mm², rated voltage reaches 1500V for higher voltage requirement.

Stud terminal blocks secure the safe connections for all types of energy transmission application. It also improves the safety of wire connections in high vibration and high impact areas, such as on vehicles, motors, transportation, and energy industries.

DKM..

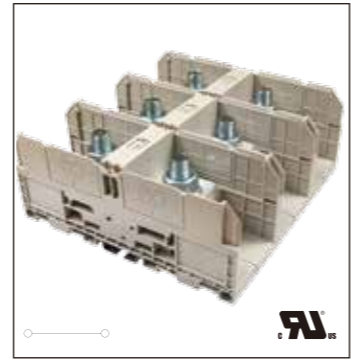
Accessories	
Safety cover	
Insertion bridge	
Marking label	
Continuous flat marking label	
DIN rail	
Long Hex Socket (mm)	



DKM150		
Rated Data	UL	IEC
Rated Voltage (V)	1500	1500
Rated Current (A)	285 / 350*	309
Rated impulse voltage	8KV	
Wire range (AWG/mm ²)	10~300kcmil 10~150	
Connection Capacity		
Max. Solid (mm ²)	150	
Max. Stranded (mm ²)	150	
General Data		
Torque (N.m)	10~20	
Screw thread	M10	
Stripping length (mm)	-#	
Insulation material	PA	
T / W (mm)	42 / 132	
H / H on TS-35	61.6 / 62.6	
Package	4	



DKM185		
Rated Data	UL	IEC
Rated Voltage (V)	1500	1500
Rated Current (A)	310 / 400*	353
Rated impulse voltage	8KV	
Wire range (AWG/mm ²)	8~350kcmil 10~185	
Connection Capacity		
Max. Solid (mm ²)	185	
Max. Stranded (mm ²)	185	
General Data		
Torque (N.m)	14~31	
Screw thread	M12	
Stripping length (mm)	-#	
Insulation material	PA	
T / W (mm)	55 / 163	
H / H on TS-35	67 / 67.95	
Package	4	



DKM240		
Rated Data	UL	IEC
Rated Voltage (V)	1500	1500
Rated Current (A)	380 / 460*	415
Rated impulse voltage	8KV	
Wire range (AWG/mm ²)	8~500kcmil 10~240	
Connection Capacity		
Max. Solid (mm ²)	240	
Max. Stranded (mm ²)	240	
General Data		
Torque (N.m)	14~31	
Screw thread	M12	
Stripping length (mm)	-#	
Insulation material	PA	
T / W (mm)	55 / 163	
H / H on TS-35	67 / 67.95	
Package	4	

*Single Cable 285A / Double Cable 350A

*Single Cable 310A / Double Cable 400A

*Single Cable 380A / Double Cable 460A

The stripping length depends on the specification provided by the cable lug manufacturer.



Red (-RD)
Yellow (-YW)
Orange (-OR)
Green (-GN)
Black (-BK)
Blue (-BL)
Brown (-BN)

Cover

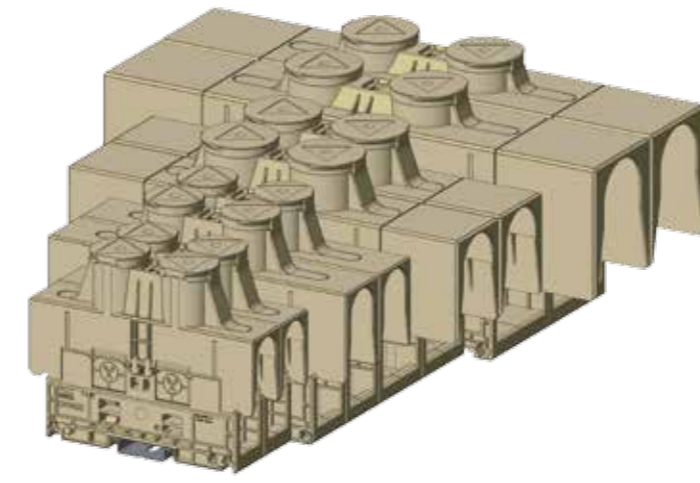


Part number	Compatible Products	Package
DKMDS01-XXP	DKM25, DKM35, DKM50	2P, 3P : 10
DKMDS02-XXP	DKM70, DKM95	2P, 3P : 5
DKMDS03-XXP	DKM120, DKM150	2P, 3P : 5
DKMDS04-XXP	DKM185, DKM240	2P, 3P : 2

Insertion Bridges

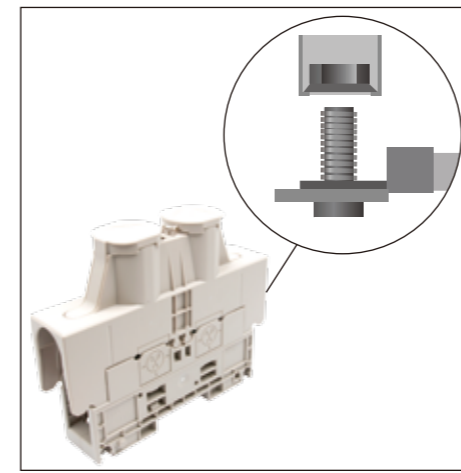
DKMXX-U Stud Terminal Blocks Introduction

The connection structure of DKM..-U series is the nut pop-up design with a stable connection method and the excellent construction. The nut is fixed in the upper cover, which not only prevents the loss of the nut, but also keeps the metal parts completely in insulating buse to ensure safe wiring.



DKM..-U series is at high voltage specification of 1500V, which provides applications in different fields, and offers the wire range from 35mm² to 240mm² to meet the needs of field use.

With the flexible marking system, the product group can be identified clearly and can be installed directly on the TS-35 steel rail or locked on the panel.



The nut pop-up design not only can be stable wiring, but also can keep the nut in the upper cover to prevent the loss of the nut and to ensure the wiring safety with the insulating protection.



The DKM..-U is rated at 1500V providing different wire diameters from 35mm²~240mm² to meet the needs of on-site use with clear marking indication.



The product can be easily installed on the TS-35 DIN rail or locked on the panel. Only two screws are needed to complete the installation of the terminal block.

Quick Wiring Terminal Blocks



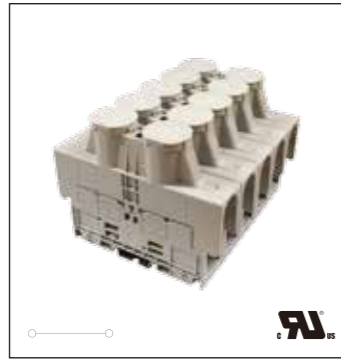
The DKM..U series is at 1500V with wire range from 25mm²~240mm². It is a series of a special designed stud terminal block with the screw nut keeping in the top cover guided by spring.

The nut pop-up design generates a wire-ready status saving time from loosening the screw while providing secured fastening.

DKM..-U

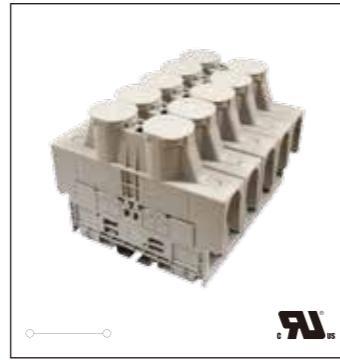
Accessories

- Insertion bridge
- Marking label
- Continuous flat marking label
- DIN rail
- Long hex Socket (mm)



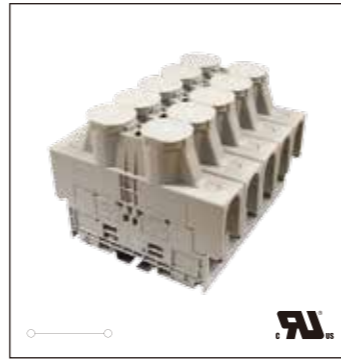
DKM25-U		
Rated Data	UL	IEC
Rated Voltage (V)	1500	1500
Rated Current (A)	85 / 100*	101
Rated impulse voltage		8KV
Wire range (AWG/mm ²)	12~3	2.5~25
Connection Capacity		
Max. Solid (mm ²)		25
Max. Stranded (mm ²)		25
General Data		
Torque (N.m)	3~6	
Screw thread	M6	
Stripping length (mm)	-#	
Insulation material	PA	
T / W (mm)	27 / 126.8	
H / H on TS-35	100 / 101.5	
Package	5	
Part number	Package	
DKMDS01-02P	10	
DKMDS01-03P	10	
TM50W	10	
TM-R200	10	
TS-35	20	
TS-35/15	10	
H10		

*Single-Cable 85A / Double-Cable 100A



DKM35-U		
Rated Data	UL	IEC
Rated Voltage (V)	1500	1500
Rated Current (A)	130 / 170*	125
Rated impulse voltage		8KV
Wire range (AWG/mm ²)	12~1	2.5~35
Connection Capacity		
Max. Solid (mm ²)		35
Max. Stranded (mm ²)		35
General Data		
Torque (N.m)	3~6	
Screw thread	M6	
Stripping length (mm)	-#	
Insulation material	PA	
T / W (mm)	27 / 126.8	
H / H on TS-35	100 / 101.5	
Package	5	
Part number	Package	
DKMDS01-02P	10	
DKMDS01-03P	10	
TM50W	10	
TM-R200	10	
TS-35	20	
TS-35/15	10	
H10		

*Single-Cable 130A / Double-Cable 170A



DKM50-U		
Rated Data	UL	IEC
Rated Voltage (V)	1500	1500
Rated Current (A)	150 / 200*	150
Rated impulse voltage		8KV
Wire range (AWG/mm ²)	12~1/0	2.5~50
Connection Capacity		
Max. Solid (mm ²)		50
Max. Stranded (mm ²)		50
General Data		
Torque (N.m)	6~12	
Screw thread	M8	
Stripping length (mm)	-#	
Insulation material	PA	
T / W (mm)	27 / 126.8	
H / H on TS-35	100 / 101.5	
Package	5	
Part number	Package	
DKMDS01-02P	10	
DKMDS01-03P	10	
TM50W	10	
TM-R200	10	
TS-35	20	
TS-35/15	10	
H13		

*Single-Cable 150A / Double-Cable 200A

The stripping length depends on the specification provided by the cable lug manufacturer.

Quick Wiring Terminal Blocks



The DKM..U series is at 1500V with wire range from 25mm² to 240mm².

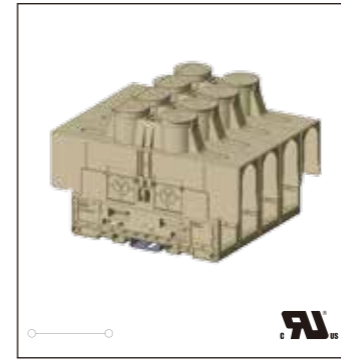
It is a special design stud terminal block with the screw nut kept in the top cover guided by spring.

The nut pop-up design generates a wire-ready status which can save time of loosening the screw and provide secured fastening.

DKM..-U

Accessories

- Insertion bridge
- Marking label
- Continuous flat marking label
- DIN rail
- Long hex Socket (mm)



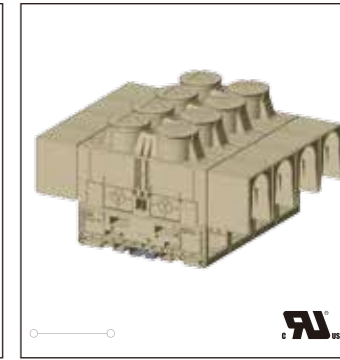
DKM70-U		
Rated Data	UL	IEC
Rated Voltage (V)	1500	1500
Rated Current (A)	175	192
Rated impulse voltage		8KV
Wire range (AWG/mm ²)	14~2/0	2.5~70
Connection Capacity		
Max. Solid (mm ²)		70
Max. Stranded (mm ²)		70
General Data		
Torque (N.m)	6~12	
Screw thread	M8	
Stripping length (mm)	-#	
Insulation material	PA	
T / W (mm)	32 / 169	
H / H on TS-35	109 / 110.5	
Package	10	
Part number	Package	
DKMDS02-02P	5	
DKMDS02-03P	5	
TM50W	10	
TM-R200	10	
TS-35	20	
TS-35/15	10	
H13		

*Single -Cable 175A / Double-Cable 230A



DKM95-U		
Rated Data	UL	IEC
Rated Voltage (V)	1500	1500
Rated Current (A)	230 / 260*	232
Rated impulse voltage		8KV
Wire range (AWG/mm ²)	14~4/0	2.5~95
Connection Capacity		
Max. Solid (mm ²)		95
Max. Stranded (mm ²)		95
General Data		
Torque (N.m)	6~12	
Screw thread	M8	
Stripping length (mm)	-#	
Insulation material	PA	
T / W (mm)	32 / 169	
H / H on TS-35	109 / 110.5	
Package	10	
Part number	Package	
DKMDS02-02P	5	
DKMDS02-03P	5	
TM50W	10	
TM-R200	10	
TS-35	20	
TS-35/15	10	
H13		

*Single-Cable 230A / Double-Cable 260A



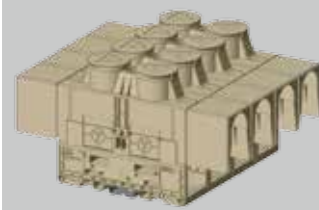
DKM120-U		
Rated Data	UL	IEC
Rated Voltage (V)	1500	1500
Rated Current (A)	255 / 300*	269
Rated impulse voltage		8KV
Wire range (AWG/mm ²)	10~250kcmil	6~120
Connection Capacity		
Max. Solid (mm ²)		120
Max. Stranded (mm ²)		120
General Data		
Torque (N.m)		10~20
Screw thread		M10
Stripping length (mm)		-#
Insulation material		PA
T / W (mm)		42 / 220
H / H on TS-35		118.5 / 120
Package		4
Part number	Package	
DKMDS03-02P	5	
DKMDS03-03P	5	
TM50W	10	
TM-R200	10	
TS-35	20	
TS-35/15	10	
H17		

*Single-Cable 255A / Double-Cable 300A

The stripping length depends on the specification provided by the cable lug manufacturer.

Screw Connection

Quick Wiring Terminal Blocks



The DKM..U series is at 1500V with wire range from 25mm² to 240mm².

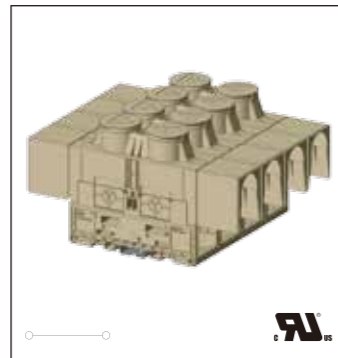
It is a special design stud terminal block with the screw nut kept in the top cover guided by spring.

The nut pop-up design generates a wire-ready status which can save time of loosening the screw and provide secured fastening.

DKM..-U

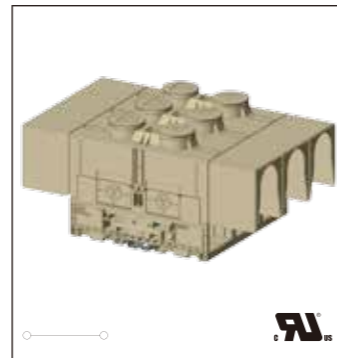
Accessories

- Insertion bridge
- Marking label
- Continuous flat marking label
- DIN rail
- Long hex Socket (mm)



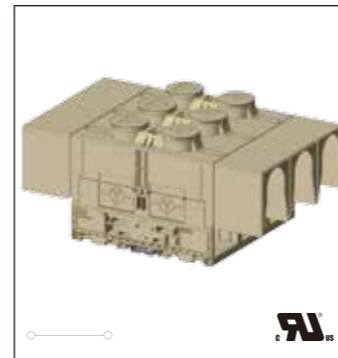
DKM150-U		
Rated Data	UL	IEC
Rated Voltage (V)	1500	1500
Rated Current (A)	285 / 350*	309
Rated impulse voltage	8KV	
Wire range (AWG/mm ²)	10~300kcmil 10~150	
Connection Capacity		
Max. Solid (mm ²)	150	
Max. Stranded (mm ²)	150	
General Data		
Torque (N.m)	10~20	
Screw thread	M10	
Stripping length (mm)	-#	
Insulation material	PA	
T / W (mm)	42 / 220	
H / H on TS-35	118.5 / 120	
Package	4	
Part number Package		
DKMDS02-02P	5	
DKMDS02-03P	5	
TM50W	10	
TM-R200	10	
TS-35	20	
TS-35/15	10	
H17		

*Single-Cable 285A / Double-Cable 350A



DKM185-U		
Rated Data	UL	IEC
Rated Voltage (V)	1500	1500
Rated Current (A)	310 / 400*	353
Rated impulse voltage	8KV	
Wire range (AWG/mm ²)	8~350kcmil 10~185	
Connection Capacity		
Max. Solid (mm ²)	185	
Max. Stranded (mm ²)	185	
General Data		
Torque (N.m)	14~31	
Screw thread	M12	
Stripping length (mm)	-#	
Insulation material	PA	
T / W (mm)	55 / 277.6	
H / H on TS-35	126.3 / 127.8	
Package	4	
Part number Package		
DKMDS02-02P	5	
DKMDS02-03P	5	
TM50W	10	
TM-R200	10	
TS-35	20	
TS-35/15	10	
H19		

*Single-Cable 310A / Double-Cable 400A

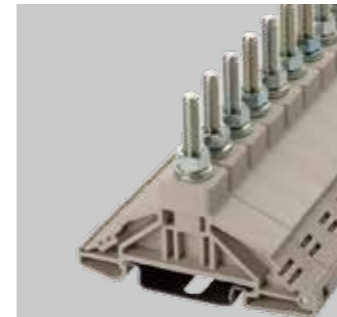


DKM240-U		
Rated Data	UL	IEC
Rated Voltage (V)	1500	1500
Rated Current (A)	380 / 460*	415
Rated impulse voltage	8KV	
Wire range (AWG/mm ²)	8~500kcmil 10~240	
Connection Capacity		
Max. Solid (mm ²)	240	
Max. Stranded (mm ²)	240	
General Data		
Torque (N.m)	14~31	
Screw thread	M12	
Stripping length (mm)	-#	
Insulation material	PA	
T / W (mm)	55 / 277.6	
H / H on TS-35	126.3 / 127.8	
Package	4	
Part number Package		
DKMDS03-02P	5	
DKMDS03-03P	5	
TM50W	10	
TM-R200	10	
TS-35	20	
TS-35/15	10	
H19		

*Single-Cable 380A / Double-Cable 460A

The stripping length depends on the specification provided by the cable lug manufacturer.

Single-Bolt Connection Terminal Blocks



The DKM series is designed specifically for safety of electricity distribution in power industry. Only one wrench can finish the reliable connection for you. It also saves space in field wiring that allows up to 4 wire lugs on each stud.

The stud terminal blocks provide the improved wiring secureness which can apply in high requirements in terms of vibration and shock resistance, such as vehicles, motor and transportation.

Available wire size from 16mm² to 120mm²

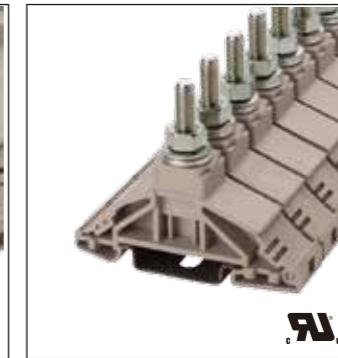
DKM

Accessories

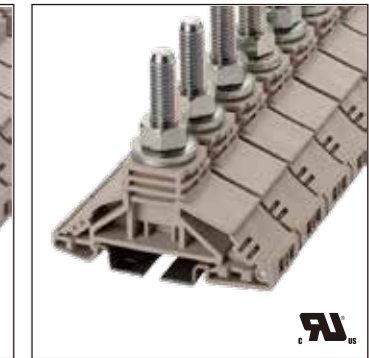
- Safety cover
- Partition plate
- Marking label
- Continuous flat marking label
- DIN rail



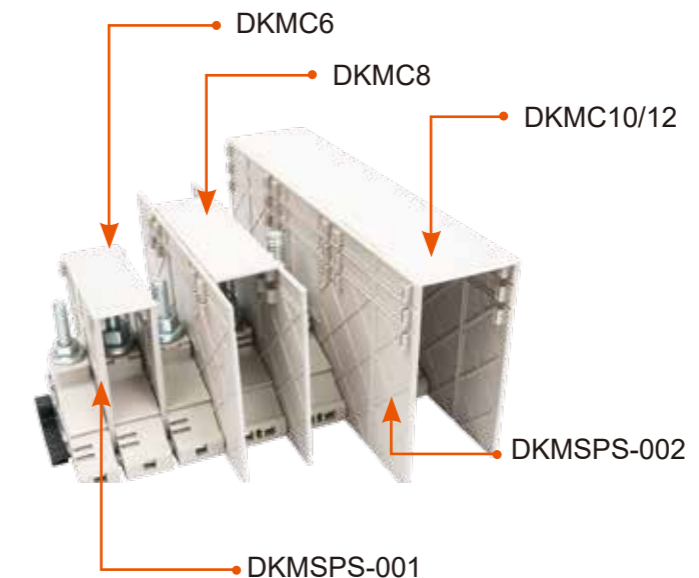
DKM5		
Rated Data	UL	IEC
Rated Voltage (V)	1000	1000
Rated Current (A)	85	76
Rated impulse voltage	8KV	
Wire range (AWG/mm ²)	16~4 0.5~16	
Connection Capacity		
Max. Solid (mm ²)	16	
Max. Stranded (mm ²)	16	
General Data		
Torque (N.m)	2~4	
Screws	M5	
Insulation material	PA	
T / W (mm)	13 / 67	
H / H on TS-35 (mm)	54 / 55	
Package	50	
Part number Package		
DKMC5	50	
DKMSPS-001	50	
TM50W	10	
TM-R200	10	
TS-35	20	
TS-35/15	10	



DKM6		
Rated Data	UL	IEC
Rated Voltage (V)	1000	1000
Rated Current (A)	115	125
Rated impulse voltage	8KV	
Wire range (AWG/mm ²)	14~2 2.5~35	
Connection Capacity		
Max. Solid (mm ²)	35	
Max. Stranded (mm ²)	35	
General Data		
Torque (N.m)	3~6	
Screws	M6	
Insulation material	PA	
T / W (mm)	19.5 / 67	
H / H on TS-35 (mm)	54 / 55	
Package	50	
Part number Package		
DKMC6	50	
DKMSPS-001	50	
TM50W	10	
TM-R200	10	
TS-35	20	
TS-35/15	10	



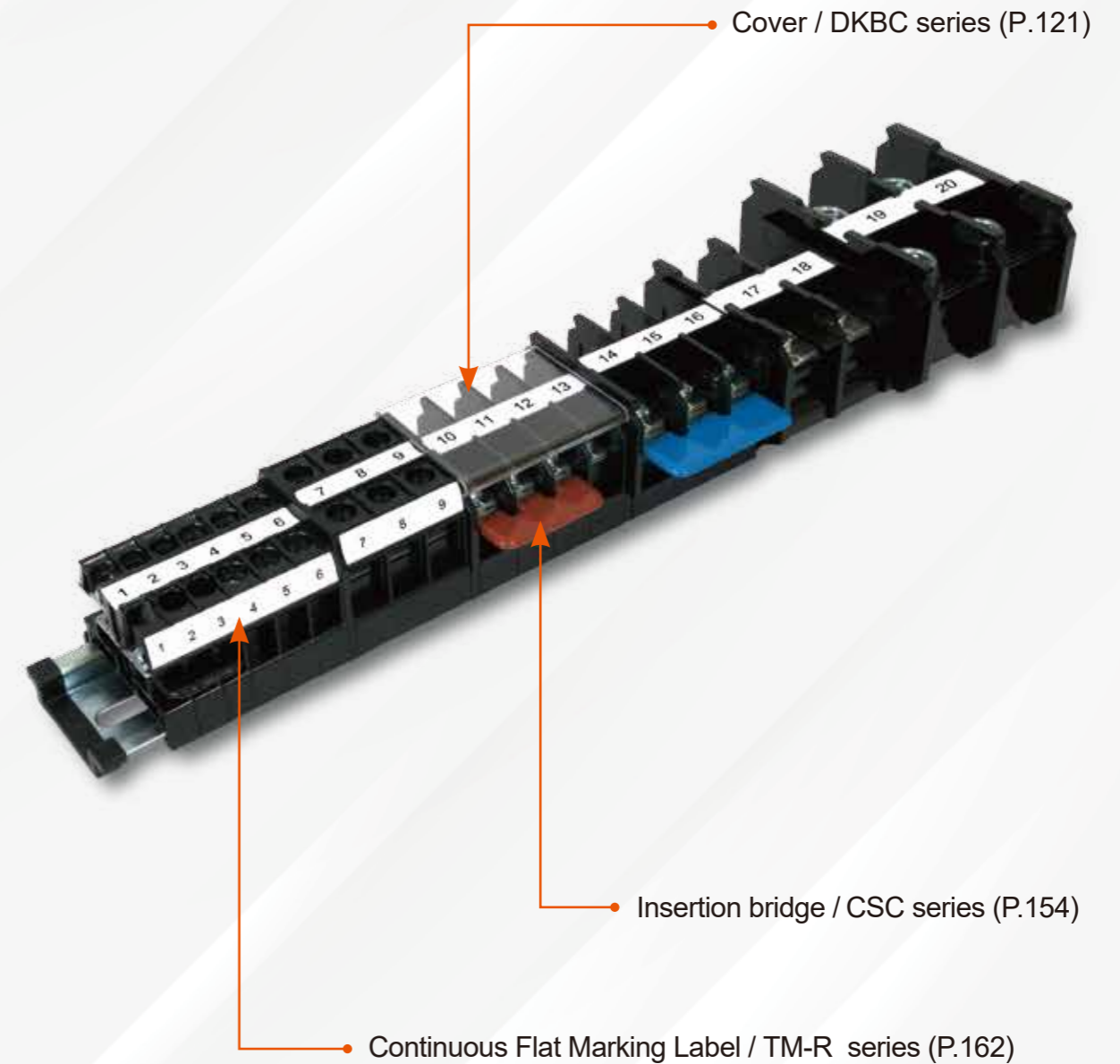
DKM8		
Rated Data	UL	IEC
Rated Voltage (V)	1000	1000
Rated Current (A)	150	150
Rated impulse voltage	8KV	
Wire range (AWG/mm ²)	14~1/0 2.5~50	
Connection Capacity		
Max. Solid (mm ²)	50	
Max. Stranded (mm ²)	50	
General Data		
Torque (N.m)	6~12	
Screws	M8	
Insulation material	PA	
T / W (mm)	24.5 / 67	
H / H on TS-35 (mm)	63 / 64	
Package	20	
Part number Package		
DKMC8	50	
DKMSPS-002	50	
TM50W	10	
TM-R200	10	
TS-35	20	
TS-35/15	10	



Screw Connection

Barrier Connection Terminal Blocks

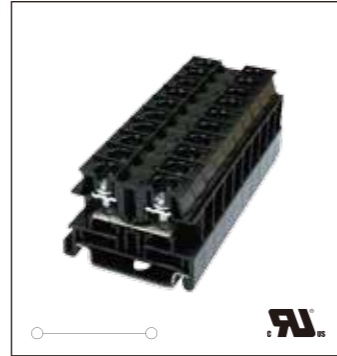
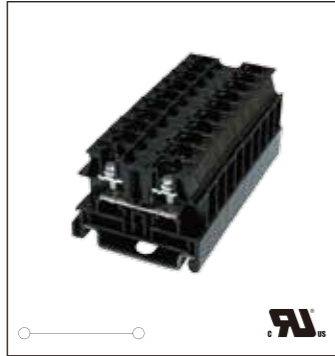
- Barrier Connection Terminal Blocks offer optional solutions in range 15A~500A power transmission.
- DKB series offer stable power transmission by screw type wiring structure.
- DKU series is a special design stud terminal block with the screw nut kept in the top cover guided by spring.
- The nut pop-up design generates a wire-ready status which can save time of loosening the screw and provides secured fastening.



Quick Wiring Terminal Blocks



IP20



Designed with spring guided system, the screws can pop-up to allow ring or fork cable lug easily inserted and installed without entirely removing the screws and washer.

Accessories includes CSK11 jumpers for short circuit or power distribution applications, and TM-R100 markers for labelling and identification.

DKU..

Accessories

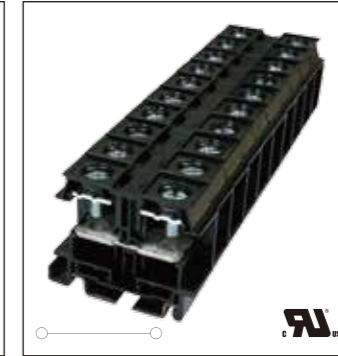
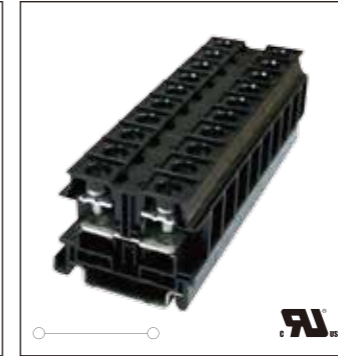
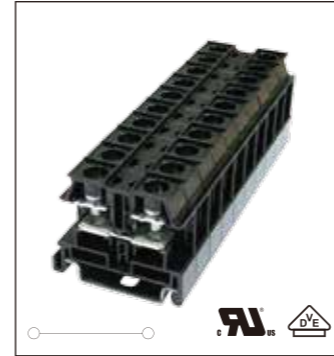
End cover	
Insertion bridge	
Continuous flat marking label (Center / Outer)	
DIN rail	
Tool (mm)	

DKU15		
Rated Data	UL	IEC
Rated Voltage (V)	600	630
Rated Current (A)	15	17.5
Rated impulse voltage	8KV	
Wire range (AWG/mm ²)	26~14	0.2~1.5
Ring / Fork Cable Lugs		
Hole diameter min (mm)	3.2	
Cable lug connection width,max (mm)	6	
General Data		
Torque (N.m)	0.6~1.0	
Screw thread	M3	
Insulation material	PC	
T / W (mm)	7 / 40.5	
H / H on TS-35	32 / 33.5	
Package	50	
Part number	Package	
DKU15C	50	
CSK11-1502-A	100	
CSK11-1503-A	100	
CSK11-1506-A	50	
CSK11-1520-A	20	
TM-R100 / TM-R100	10	
TS-35	20	
TS-35/15	10	
#0 / 3.0 DNT11-0201		

DKU20		
Rated Data	UL	IEC
Rated Voltage (V)	600	630
Rated Current (A)	20	24
Rated impulse voltage	8KV	
Wire range (AWG/mm ²)	26~12	0.2~2.5
Ring / Fork Cable Lugs		
Hole diameter min (mm)	3.7	
Cable lug connection width,max (mm)	7.2	
General Data		
Torque (N.m)	1.0~1.3	
Screw thread	M3.5	
Insulation material	PC	
T / W (mm)	8.2 / 40.5	
H / H on TS-35	32 / 33.5	
Package	150	
Part number	Package	
DKU15C	50	
CSK11-2002-A	100	
CSK11-2003-A	100	
CSK11-2006-A	50	
CSK11-2020-A	20	
TM-R100 / TM-R100	10	
TS-35	20	
TS-35/15	10	
#0 / 3.0 DNT11-0201		

DKUU20		
Rated Data	UL	IEC
Rated Voltage (V)	600	630
Rated Current (A)	20	24
Rated impulse voltage	8KV	
Wire range (AWG/mm ²)	26~12	0.2~2.5
Ring / Fork Cable Lugs		
Hole diameter min (mm)	3.7	
Cable lug connection width,max (mm)	7.2	
General Data		
Torque (N.m)	1.0~1.3	
Screw thread	M3.5	
Insulation material	PC	
T / W (mm)	8.2 / 71	
H / H on TS-35	53 / 57.5	
Package	50	
Part number	Package	
DKU15C	50	
CSK11-2002-A	100	
CSK11-2003-A	100	
CSK11-2006-A	50	
CSK11-2020-A	20	
TM-R100 / TM-R100	10	
TS-35	20	
TS-35/15	10	
#0 / 3.0 DNT11-0201		

Quick Wiring Terminal Blocks

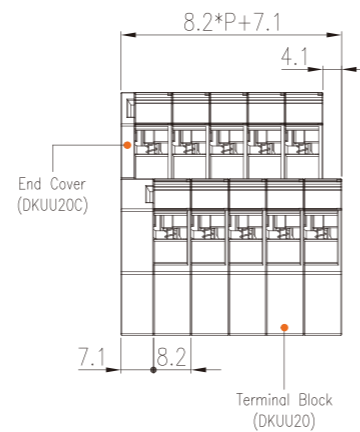


DKU30		
Rated Data	UL	IEC
Rated Voltage (V)	600	630
Rated Current (A)	30	32
Rated impulse voltage	8KV	
Wire range (AWG/mm ²)	26~10	0.2~4
Ring / Fork Cable Lugs		
Hole diameter min (mm)	4.3	
Cable lug connection width,max (mm)	9.5	
General Data		
Torque (N.m)	1.2~2.0	
Screw thread	M4	
Insulation material	PC	
T / W (mm)	10.5 / 40.5	
H / H on TS-35	35 / 36.5	
Package	125	
Part number	Package	
DKU30C	50	
CSK11-3002-A	100	
CSK11-3003-A	100	
CSK11-3006-A	50	
CSK11-3010-A	20	
TM-R100 / TM-R100	10	
TS-35	20	
TS-35/15	10	
#1 / 5.0 DNT11-0202		

DKU40		
Rated Data	UL	IEC
Rated Voltage (V)	600	630
Rated Current (A)	45	41
Rated impulse voltage	8KV	
Wire range (AWG/mm ²)	24~8	0.2~6
Ring / Fork Cable Lugs		
Hole diameter min (mm)	4.3	
Cable lug connection width,max (mm)	9.8	
General Data		
Torque (N.m)	1.2~2.0	
Screw thread	M4	
Insulation material	PC	
T / W (mm)	11 / 43.5	
H / H on TS-35	36.5 / 38	
Package	100	
Part number	Package	
DKU40C	50	
CSK11-4002-A	50	
CSK11-4003-A	50	
TM-R100 / TM-R100	10	
TS-35	20	
TS-35/15	10	
#1 / 5.0 DNT11-0202		

DKU60		
Rated Data	UL	IEC
Rated Voltage (V)	600	630
Rated Current (A)	60	76
Rated impulse voltage	8KV	
Wire range (AWG/mm ²)	20~6	0.5~16
Ring / Fork Cable Lugs		
Hole diameter min (mm)	5.3	
Cable lug connection width,max (mm)	12	
General Data		
Torque (N.m)	2.6~3.7	
Screw thread	M5	
Insulation material	PC	
T / W (mm)	14 / 47.7	
H / H on TS-35	40 / 41.5	
Package	70	
Part number	Package	
DKU60C	50	
CSK11-6002-A	50	
CSK11-6003-A	50	
TM-R100 / TM-R100	10	
TS-35	20	
TS-35/15	10	
#1 / 5.0 DNT11-0202		

Rated Data	UL	IEC
Rated Voltage (V)		
Rated Current (A)		
Rated impulse voltage		
Wire range (AWG/mm ²)		
Ring / Fork Cable Lugs		
Hole diameter min (mm)		
Cable lug connection width,max (mm)		
General Data		
Torque (N.m)		
Screw thread		
Insulation material		
T / W (mm)		
H / H on TS-35		
Package		
Part number	Package	



Screw Connection Terminal Blocks



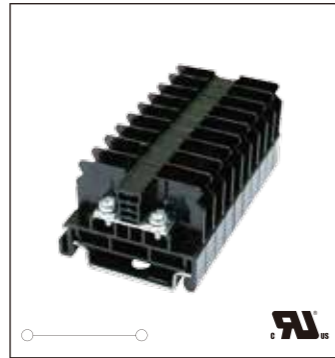
Designed with spring guided system, the screws can pop-up to allow ring or fork cable lug easily inserted and installed without entirely removing the screws and washer.

Accessories includes CSK11 jumpers for short circuit or power distribution applications, and TM-R100 marking label for labelling and identification.

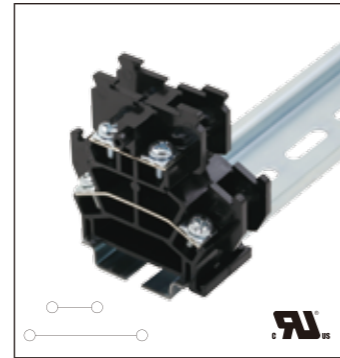
DKB..N

Accessories

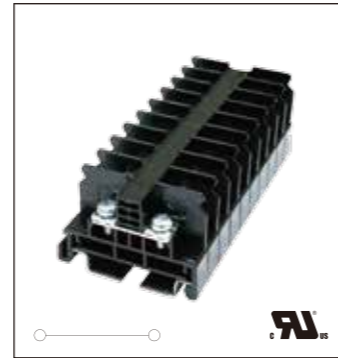
End cover	
Cover	
Insertion bridge	
Continuous flat marking label	
DIN rail	
Tool (mm)	



DKB15N		
Rated Data	UL	IEC
Rated Voltage (V)	600	630
Rated Current (A)	15	17.5
Rated impulse voltage	8KV	
Wire range (AWG/mm ²)	26~14	0.2~1.5
Ring / Fork Cable Lugs		
Hole diameter min (mm)	3.2	
Cable lug connection width,max (mm)	6	
General Data		
Torque (N.m)	0.6~1.0	
Screw thread	M3	
Stripping length (mm)		
Insulation material	PC	
T / W (mm)	7 / 40.5	
H / H on TS-35	29 / 30.5	
Package	50	
Part number	Package	
DKB15NE	50	
DKBC10-1000	1	
CSK11-1502-A	100	
CSK11-1503-A	100	
CSK11-1506-A	50	
CSK11-1520-A	20	
TM-R100	10	
TS-35	20	
TS-35/15	10	
#0 / 3.0 DNT11-0201		

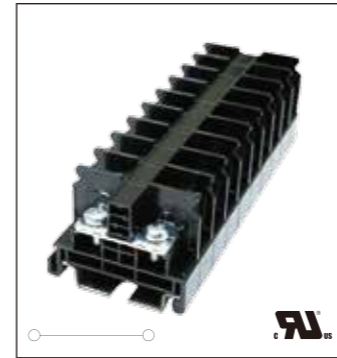


DKBB10		
Rated Data	UL	IEC
Rated Voltage (V)	600	800
Rated Current (A)	15	24
Rated impulse voltage	8KV	
Wire range (AWG/mm ²)	22~14	0.34~2.5
Ring / Fork Cable Lugs		
Hole diameter min (mm)	3.2	
Cable lug connection width,max (mm)	7.2	
General Data		
Torque (N.m)	0.5	
Screw thread	M3	
Stripping length (mm)	8	
Insulation material	PC	
T / W (mm)	8.8 / 57	
H / H on TS-35	54 / 57.9	
Package	100	
Part number	Package	
DKBB10E	50	
Top cover DKBC10-1000	1	
Side cover DKBC10-1000	1	
CSK01-10XX-A	50	
CSK01-10XX-B	50	
CSK02-10XX-A	50	
CSK02-10XX-B	50	
TM-R100	10	
TS-35	20	
TS-35/15	10	
#0 / 3.0 DNT11-0201		

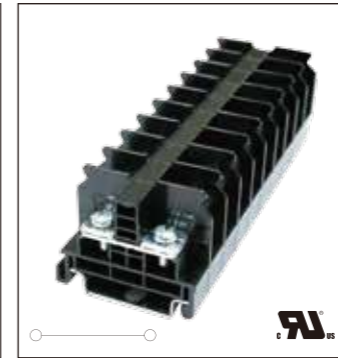


DKB20N		
Rated Data	UL	IEC
Rated Voltage (V)	600	630
Rated Current (A)	20	24
Rated impulse voltage	8KV	
Wire range (AWG/mm ²)	26~12	0.2~2.5
Ring / Fork Cable Lugs		
Hole diameter min (mm)	3.7	
Cable lug connection width,max (mm)	7.2	
General Data		
Torque (N.m)	0.8~1	
Screw thread	M3.5	
Stripping length (mm)		
Insulation material	PC	
T / W (mm)	8.2 / 40.5	
H / H on TS-35	29 / 30.5	
Package	50	
Part number	Package	
DKB15NE	50	
DKBC10-1000	1	
CSK11-2002-A	100	
CSK11-2003-A	100	
CSK11-2006-A	50	
CSK11-2020-A	20	
TM-R100	10	
TS-35	20	
TS-35/15	10	
#0 / 3.0 DNT11-0201		

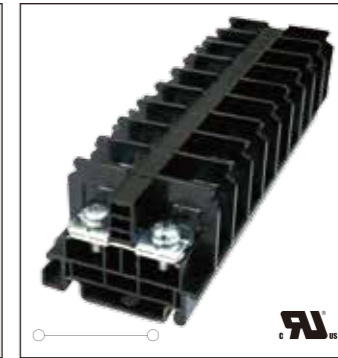
Screw Connection Terminal Blocks



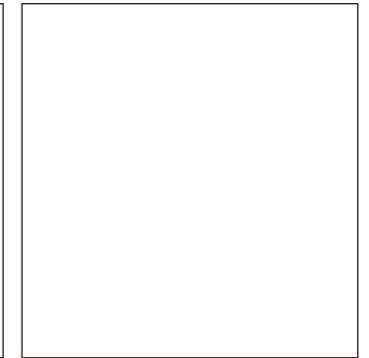
DKB30N		
Rated Data	UL	IEC
Rated Voltage (V)	600	630
Rated Current (A)	30	32
Rated impulse voltage	8KV	
Wire range (AWG/mm ²)	26~10	0.2~4
Ring / Fork Cable Lugs		
Hole diameter min (mm)	4.3	
Cable lug connection width,max (mm)	9.5	
General Data		
Torque (N.m)	1.2~1.5	
Screw thread	M4	
Stripping length (mm)		
Insulation material	PC	
T / W (mm)	10.5 / 40.5	
H / H on TS-35	31.5 / 33	
Package	50	
Part number	Package	
DKB30NE	50	
DKBC10-1000	1	
CSK11-3002-A	100	
CSK11-3003-A	100	
CSK11-3006-A	50	
CSK11-3010-A	20	
TM-R100	10	
TS-35	20	
TS-35/15	10	
#1 / 5.0 DNT11-0202		



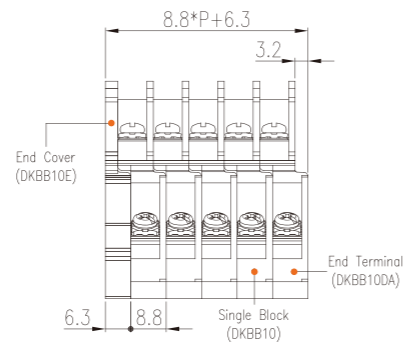
DKB40N		
Rated Data	UL	IEC
Rated Voltage (V)	600	630
Rated Current (A)	45	41
Rated impulse voltage	8KV	
Wire range (AWG/mm ²)	24~8	0.2~6
Ring / Fork Cable Lugs		
Hole diameter min (mm)	4.3	
Cable lug connection width,max (mm)	9.8	
General Data		
Torque (N.m)	1.2~1.5	
Screw thread	M4	
Stripping length (mm)		
Insulation material	PC	
T / W (mm)	11 / 43.5	
H / H on TS-35	33.5 / 35	
Package	50	
Part number	Package	
DKB40NE	50	
DKBC10-1000	1	
CSK11-4002-A	50	
CSK11-4003-A	50	
TM-R100	10	
TS-35	20	
TS-35/15	10	
#1 / 5.0 DNT11-0202		



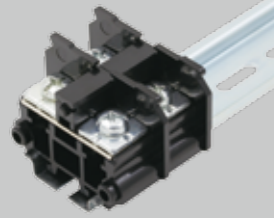
DKB60N		
Rated Data	UL	IEC
Rated Voltage (V)	600	630
Rated Current (A)	60	76
Rated impulse voltage	8KV	
Wire range (AWG/mm ²)	20~6	0.5~16
Ring / Fork Cable Lugs		
Hole diameter min (mm)	5.3	
Cable lug connection width,max (mm)	12	
General Data		
Torque (N.m)	1.6~1.8	
Screw thread	M5	
Stripping length (mm)		
Insulation material	PC	
T / W (mm)	14 / 47.7	
H / H on TS-35	37 / 38.5	
Package	50	
Part number	Package	
DKB60NE	50	
DKBC10-1000	1	
CSK11-6002-A	50	
CSK11-6003-A	50	
TM-R100	10	
TS-35	20	
TS-35/15	10	
#1 / 5.0 DNT11-0202		



Rated Data	UL	IEC
Rated Voltage (V)		
Rated Current (A)		
Rated impulse voltage		
Wire range (AWG/mm ²)		
Ring / Fork Cable Lugs		
Hole diameter min (mm)		
Cable lug connection width,max (mm)		
General Data		
Torque (N.m)		
Screw thread		
Stripping length (mm)		
Insulation material		
T / W (mm)		
H / H on TS-35		
Package		
Part number	Package	



Screw Connection Terminal Blocks



DKB series offers high current rating solution, 6 current options from 85A to 620A as well as accessories, e.g. transparent cover, jumper and marking label available.

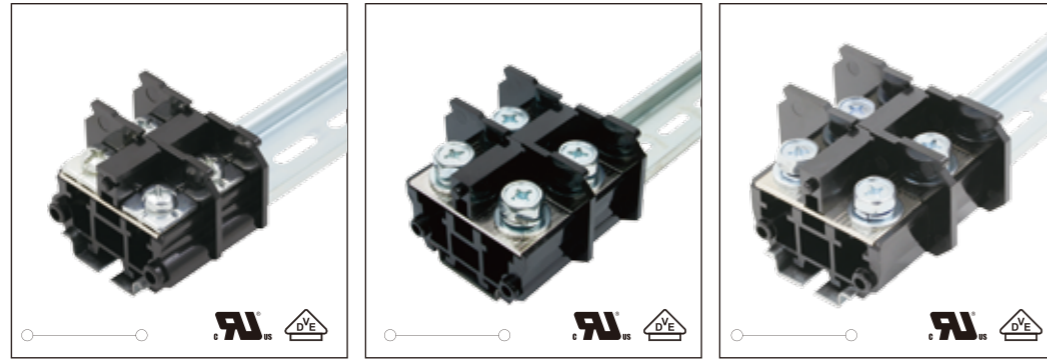
Easy for installation and assembly, free to combine accessories according to requirement.

DKB..

Accessories

- End cover
- Cover
- Insertion bridge
- Continuous flat marking label
- DIN rail
- Tool (mm)

*To be used with ring or fork terminal on the end of the conductor before wiring.

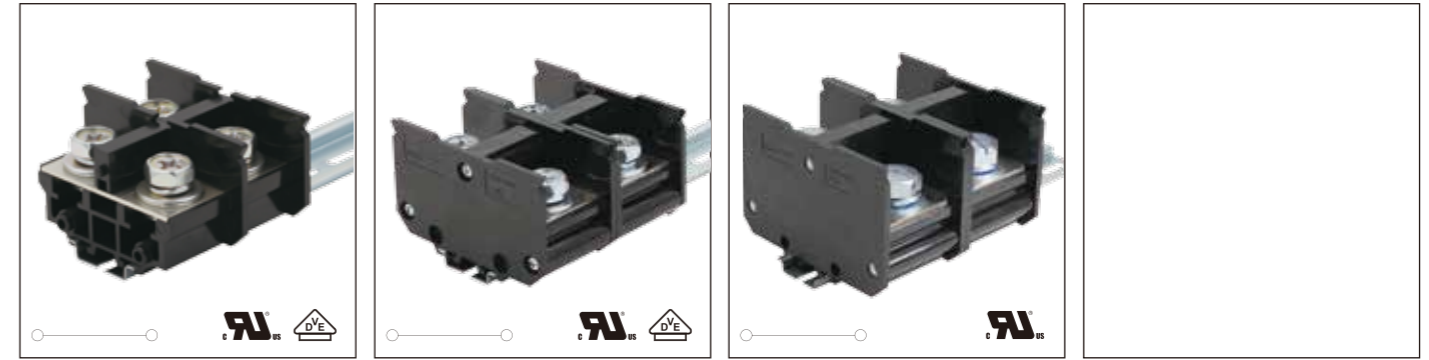


DKB80			DKB100			DKB150		
Rated Data	UL	IEC	Rated Data	UL	IEC	Rated Data	UL	IEC
Rated Voltage (V)	600	800	Rated Voltage (V)	600	800	Rated Voltage (V)	600	1000
Rated Current (A)	85	101	Rated Current (A)	115 (200*)	150*	Rated Current (A)	190*	192*
Rated impulse voltage	8KV		Rated impulse voltage	8KV		Rated impulse voltage	8KV	
Wire range (AWG/mm ²)	18~4	0.75~25	Wire range (AWG/mm ²)	8~3/0	10~50	Wire range (AWG/mm ²)	8~3/0	10~70
General Data			General Data			General Data		
Torque (N.m)	4		Torque (N.m)	8		Torque (N.m)	8	
Screw thread	M6		Screw thread	M8		Screw thread	M8	
Stripping length (mm)	18		Stripping length (mm)	20		Stripping length (mm)	20	
Insulation material	PC		Insulation material	PC		Insulation material	PC	
T / W (mm)	19 / 54		T / W (mm)	25 / 62		T / W (mm)	27 / 70	
H / H on TS-35	38 / 41.5		H / H on TS-35	43.5 / 47.0		H / H on TS-35	45 / 48.5	
Package	50		Package	1		Package	1	
Part number	Package		Part number	Package		Part number	Package	
DKB80E-A	50		DKB100E-A	50		DKB150E-A	50	
DKBC60-1000	1		DKBC100-1000	1		DKBC150-1000	1	
CSK01-60XX-A	50							
CSK01-60XX-B	50							
CSK02-60XX-A	50							
CSK02-60XX-B	50							
TM-R200	10		TM-R200	10		TM-R200	10	
TS-35	20		TS-35	20		TS-35	20	
TS-35/15	10		TS-35/15	10		TS-35/15	10	
#2 / 6.0 DNT11-0205			#3 / 8.0 DNT11-0208			#3 / 8.0 DNT11-0208		



Part number	Compatible Products
DKBC10-1000	DKB15N, DKB20N, DKB30N, DKB40N, DKBB10
DKBBC10-1000	DKBB10
DKBC60N-1000	DKB60N
DKBC60-1000	DKB80
DKBC100-1000	DKB100
DKBC150-1000	DKB150
DKBC200-1000	DKB200
DKBC300 / Piece	DKB300
DKBC500 / Piece	DKB500

Screw Connection Terminal Blocks

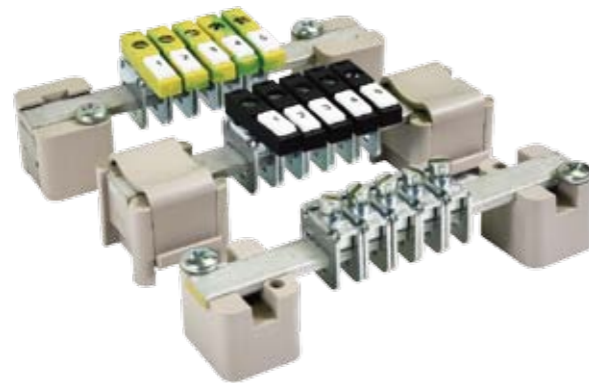


DKB200			DKB300			DKB500		
Rated Data	UL	IEC	Rated Data	UL	IEC	Rated Data	UL	IEC
Rated Voltage (V)	600	1000	Rated Voltage (V)	600	1000	Rated Voltage (V)	1000	1000
Rated Current (A)	230*	232*	Rated Current (A)	380*	415*	Rated Current (A)	475* (620**)	520*
Rated impulse voltage	8KV		Rated impulse voltage	8KV		Rated impulse voltage	8KV	
Wire range (AWG/mm ²)	8~4/0	10~95	Wire range (AWG/mm ²)	3/0~500 Kcmil	70~240	Wire range (AWG/mm ²)	350~750 Kcmil	150~300
General Data			General Data			General Data		
Torque (N.m)	10		Torque (N.m)	10		Torque (N.m)	10	
Screw thread	M10		Screw thread	M10		Screw thread	M16	
Stripping length (mm)	24		Stripping length (mm)	30		Stripping length (mm)	43	
Insulation material	PC		Insulation material	PC		Insulation material	PC	
T / W (mm)	33 / 82		T / W (mm)	45 / 90		T / W (mm)	60 / 111	
H / H on TS-35	48 / 51.5		H / H on TS-35	57 / 60.5		H / H on TS-35	78 / 81.5	
Package	1		Package	1		Package	1	
Part number	Package		Part number	Package		Part number	Package	
DKB200E-A	50		DKBC300	50		DKBC500	40	
DKBC200-1000	1							
TM-R200	10		TM-R200	10		TM-R200	10	
TS-35	20		TS-35	20		TS-35	20	
TS-35/15	10		TS-35/15	10		TS-35/15	10	
#3 / 8.0 DNT11-0208			#3 / 8.0 DNT11-0208			#2*350 Kcmil		

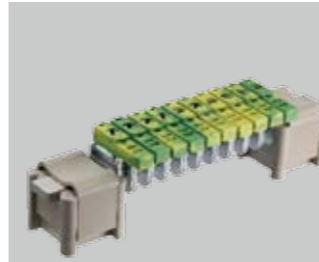
Screw Connection

Busbar Clamps

- Compact design of connection applicable to switchgears or panels.
- Grounding busbar terminal block can be individually installed on control panels or on DIN rail by mounting on busbar holder.



Busbar Clamps

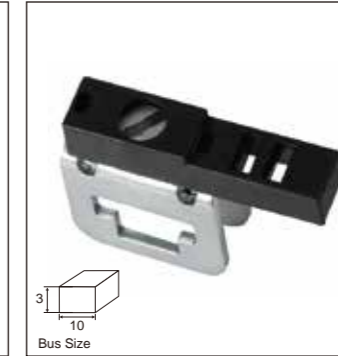


It is often to locate the neutral conductor and the protective conductor together in the middle of switchgears and controllers. The busbar terminal blocks can connect lots of wires in a constrain space. In order to gather the neutral conductor and the protective conductor at the center, the DKZ series can be fitted by insulated cover to recognize a protective conductor easily, we can provide a yellow-green insulating cover. With insulated cover, it's obvious to identify each conductor.

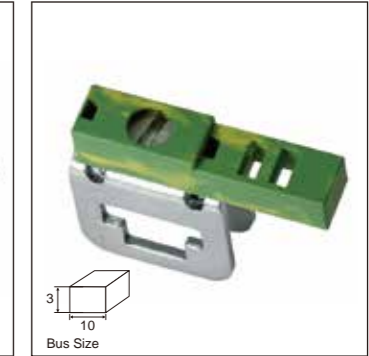
DKZ



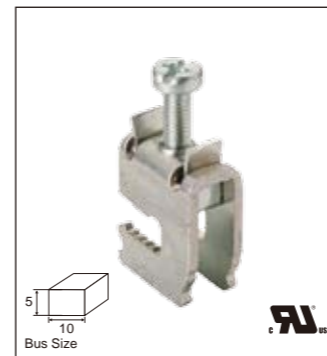
DKZ4		
Rated Data	UL	IEC
Rated Voltage (V)		
Rated Current (A)	30	41
Rated impulse voltage		
Wire range (AWG/mm ²)	20-10	0.5-6
Connection Capacity		
Max. Solid (mm ²)		6
Max. Stranded (mm ²)		4
General Data		
Torque (N.m)	1.2-2.4	
Screws	M4	
Stripping length (mm)	16	
TxHxW (mm)	7x23.5x16	
Package	100	
Accessories(TxHxW)mm	Part number	Package
Busbar holder	DSH1	50
	DSH2	50



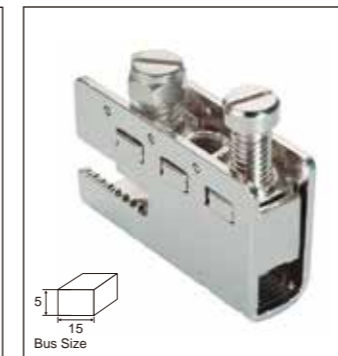
DKZ4E		
Rated Data	UL	IEC
Rated Voltage (V)		
Rated Current (A)	30	41
Rated impulse voltage		
Wire range (AWG/mm ²)	20-10	0.5-6
Connection Capacity		
Max. Solid (mm ²)		6
Max. Stranded (mm ²)		4
General Data		
Torque (N.m)	1.2-2.4	
Screws	M4	
Stripping length (mm)	16	
TxHxW (mm)	7x25.8x26.5	
Package	100	
Accessories(TxHxW)mm	Part number	Package
Busbar holder	DSH1	50
	DSH2	50



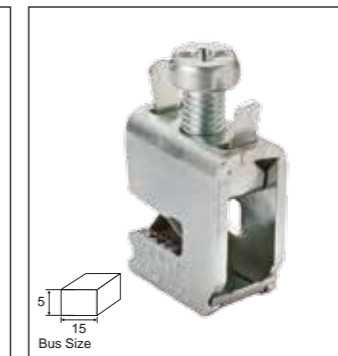
DKZ4E-YG		
Rated Data	UL	IEC
Rated Voltage (V)		
Rated Current (A)	30	41
Rated impulse voltage		
Wire range (AWG/mm ²)	20-10	0.5-6
Connection Capacity		
Max. Solid (mm ²)		6
Max. Stranded (mm ²)		4
General Data		
Torque (N.m)	1.2-2.4	
Screws	M4	
Stripping length (mm)	16	
TxHxW (mm)	7x25.8x26.5	
Package	100	
Accessories(TxHxW)mm	Part number	Package
Busbar holder	DSH1	50
	DSH2	50
	DSHG	50



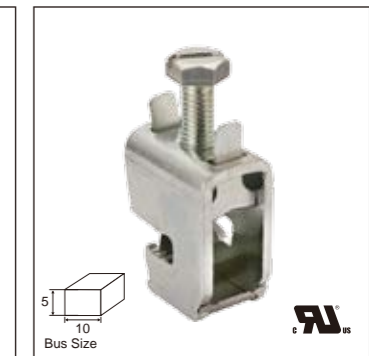
DKZ16		
Rated Data	UL	IEC
Rated Voltage (V)		
Rated Current (A)		
Rated impulse voltage		
Wire range (AWG/mm ²)	14-4	1.5-16
Connection Capacity		
Max. Solid (mm ²)		16
Max. Stranded (mm ²)		16
General Data		
Torque (N.m)	2-4	
Screws	M5	
Stripping length (mm)		
TxHxW (mm)	11.5x26.5x22	
Package	100	



DKZ35		
Rated Data	UL	IEC
Rated Voltage (V)		
Rated Current (A)	115	125
Rated impulse voltage		
Wire range (AWG/mm ²)	18-2	0.75-35
Connection Capacity		
Max. Solid (mm ²)		35
Max. Stranded (mm ²)		35
General Data		
Torque (N.m)	3.2-3.7	
Screws	M6	
Stripping length (mm)	15	
TxHxW (mm)	12x36.5x40	
Package	50	

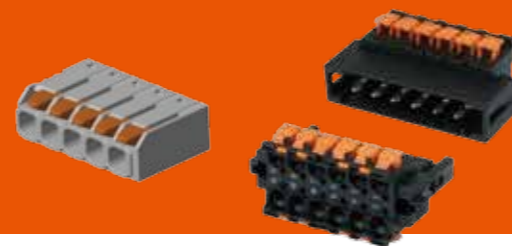


DKZ35A		
Rated Data	UL	IEC
Rated Voltage (V)		
Rated Current (A)		
Rated impulse voltage		
Wire range (AWG/mm ²)	10-2	4-35
Connection Capacity		
Max. Solid (mm ²)		35
Max. Stranded (mm ²)		35
General Data		
Torque (N.m)	6	
Screws	M8	
Stripping length (mm)		
TxHxW (mm)	16x31.5x29	
Package	50	

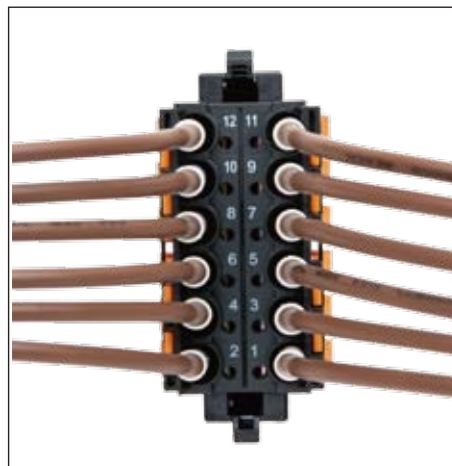


DKZ70A		
Rated Data	UL	IEC
Rated Voltage (V)		
Rated Current (A)		
Rated impulse voltage		
Wire range (AWG/mm ²)	4-2/0	16-70
Connection Capacity		
Max. Solid (mm ²)		70
Max. Stranded (mm ²)		70
General Data		
Torque (N.m)	10	
Screws	M8	
Stripping length (mm)		
TxHxW (mm)	20.5x39x32	
Package	40	

Wire-to-Wire



- Dinkle Wire-to-Wire connectors provide flexible solution and firm wire connection in variety applications e.g. automobile, communication and data processing fields.
- Rated current range of 8A~76A meet the request from signal and power transmission. Compact design for high connection density in constrained space.
- Easy-latching flange design offers firm and user-friendly connection technology. PID & screw wiring types for option. UL 1059 & IEC 61984 compliance.



PID connection can connect wires without tool and saves much wiring time, and offers high density connection in constrained space.



Screw connection method is available from 8A to 76A and meets requirement of signal and power transmissions. With optional key code available to prevent from mismatching.



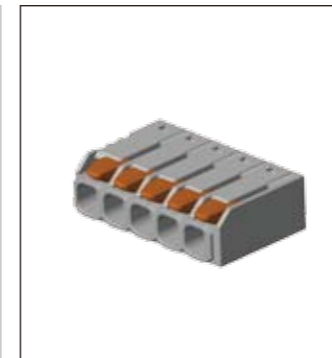
Easy-latching flange design on both sides offer firm and user-friendly connection to make locking and unlocking more easily.

Push-in Design Connectors

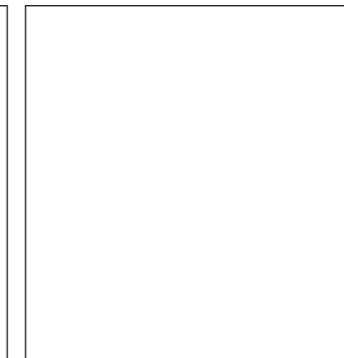


0126-11XX adopts a long lever to operate spring clamp, which can completely release the connected wires without tool. The positions are available from 2 to 5 connection points, which can quickly connect multiple wires easily. Its compact design fits in limited space. 0126-11 series is compatible for building and building control applications such as alarm system, doorbells, door sensors and communication systems.

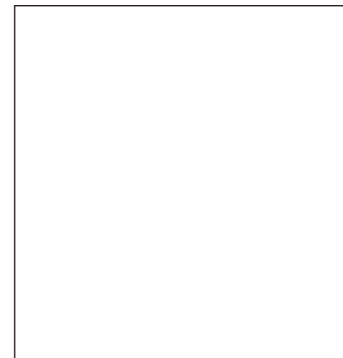
PID Wire-to-Wire



0126-11XX		
Rated Data	UL	IEC
Rated Voltage (V)	600	450
Rated Current (A)	20	32
Rated impulse voltage		4KV
Wire range (AWG/mm ²)	24~12	0.2~4
Connection Capacity		
Max. Solid (mm ²)	4	
Max. Stranded (mm ²)	4	
General Data		
Stripping length (mm)	11~12	
Insulation material	PC	
Pitch (mm)	5.6	
H (mm)	8.4	
W (mm)	5.6* (P-1) +2	
L (mm)	18.6	



Rated Data	UL	IEC
Rated Voltage (V)		
Rated Current (A)		
Rated impulse voltage		
Wire range (AWG/mm ²)		
Connection Capacity		
Max. Solid (mm ²)		
Max. Stranded (mm ²)		
General Data		
Stripping length (mm)		
Insulation material		
Pitch (mm)		
H (mm)		
W (mm)		
L (mm)		



Rated Data	UL	IEC
Rated Voltage (V)		
Rated Current (A)		
Rated impulse voltage		
Wire range (AWG/mm ²)		
Connection Capacity		
Max. Solid (mm ²)		
Max. Stranded (mm ²)		
General Data		
Stripping length (mm)		
Insulation material		
Pitch (mm)		
H (mm)		
W (mm)		
L (mm)		

Pole	P/N	Package
2	0126-1102	1000
3	0126-1103	500
4	0126-1104	500
5	0126-1105	280

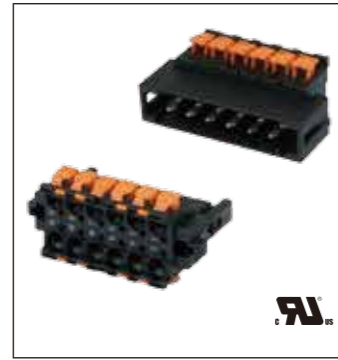
Push-in Design Connectors



PID Wire-to-Wire can connect wires without tool. Its double layers design offers high density connection in constrained space. 4 conductors connection for small power distribution. Easy-latching flange design is able to be locked and unlocked easily.

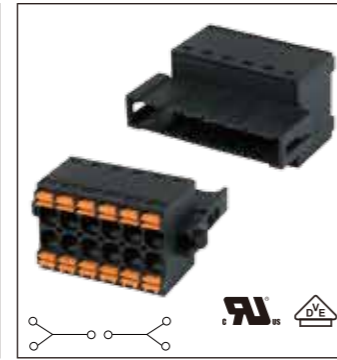
PID Wire-to-Wire

Accessories



0229-M5XXY		
Rated Data	UL	IEC
Rated Voltage (V)	300	320
Rated Current (A)	12	14
Rated impulse voltage	2.5KV	
Wire range (AWG/mm ²)	28-14	0.2-1.5
Connection Capacity		
Max. Solid (mm ²)	1.5	
Max. Stranded (mm ²)	1.5	
General Data		
Stripping length (mm)	8-9	
Insulation material	PA	
Pitch (mm)	5.08	
H (Socket) (mm)	20.8	
W (Socket) (mm)	5.08*(P/2)+9.46	
L (Socket) (mm)	22.0	
H (Plug) (mm)	0.8	
W (Plug) (mm)	5.08*(P/2)+13.08	
L (Plug) (mm)	25.7	
H (Combination) (mm)	20.8	
W (Combination) (mm)	5.08*(P/2)+13.08	
L (Combination) (mm)	35.0	
Part number	Package	

Pole	P/N	Package
4	0229-M504Y	20
6	0229-M506Y	20
10	0229-M510Y	10
16	0229-M516Y	10



0161-12XXQK01		
Rated Data	UL	IEC
Rated Voltage (V)	300	600
Rated Current (A)	15	18
Rated impulse voltage	4KV	
Wire range (AWG/mm ²)	24-12	0.2-2.5
Connection Capacity		
Max. Solid (mm ²)	2.5	
Max. Stranded (mm ²)	2.5	
General Data		
Stripping length (mm)	12-13	
Insulation material	PA	
Pitch (mm)	5.00	
H (Socket) (mm)	20.8	
W (Socket) (mm)	(5*P+8)	
L (Socket) (mm)	30.0	
H (Plug) (mm)	20.8	
W (Plug) (mm)	5*P+11.9	
L (Plug) (mm)	29.65	
H (Combination) (mm)	20.8	
W (Combination) (mm)	(5*P+11.9)	
L (Combination) (mm)	47.4	
Part number	Package	

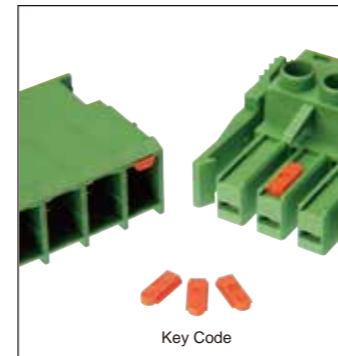
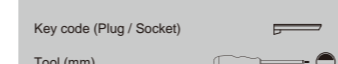
Pole	P/N	Package
4	0161-1204QK01	20
6	0161-1206QK01	20
10	0161-1210QK01	10
16	0161-1216QK01	10



Screw Wire-to-Wire offers firm and stable wiring solution. Wiring range is available from 1.5mm² to 16mm². Accessory key code is able to prevent mismatching.

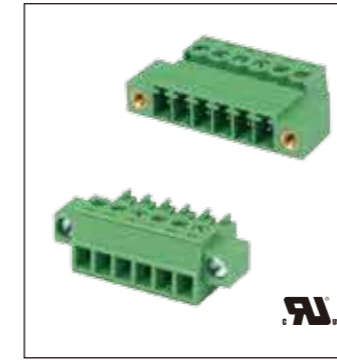
Screw Wire-to-Wire

Accessories



Key Code

Screw Connection Connectors



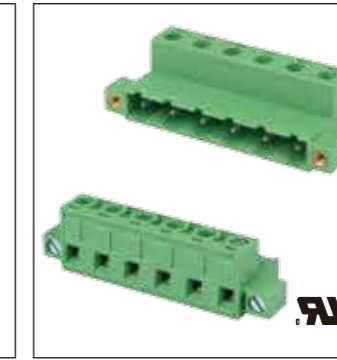
ECSH381VM-XXPQK01		
Rated Data	UL	IEC
Rated Voltage (V)	300	320
Rated Current (A)	8	8
Rated impulse voltage	2.5KV	
Wire range (AWG/mm ²)	28-14	0.2-1.5
Connection Capacity		
Max. Solid (mm ²)	1.5	
Max. Stranded (mm ²)	1.5	
General Data		
Stripping length (mm)	6-7	
Insulation material	PA	
Pitch (mm)	3.81	
H (Socket) (mm)	11.1	
W (Socket) (mm)	3.81*P+10.59	
L (Socket) (mm)	15.6	
H (Plug) (mm)	11.15	
W (Plug) (mm)	3.81*P+10.59	
L (Plug) (mm)	17.9	
H (Combination) (mm)	11.15	
W (Combination) (mm)	3.81*P+10.59	
L (Combination) (mm)	26.9	
Part number	Package	

Pole	P/N	Package
2	ECSH381VM-02PQK01	20
3	ECSH381VM-03PQK01	20
4	ECSH381VM-04PQK01	20
6	ECSH381VM-06PQK01	20
10	ECSH381VM-10PQK01	10
12	ECSH381VM-12PQK01	10
16	ECSH381VM-16PQK01	10



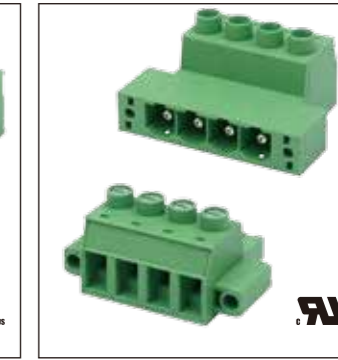
2ESDHM-XXPQK01		
Rated Data	UL	IEC
Rated Voltage (V)	300	600
Rated Current (A)	12	12
Rated impulse voltage	4KV	
Wire range (AWG/mm ²)	24-12	0.2-2.5
Connection Capacity		
Max. Solid (mm ²)	2.5	
Max. Stranded (mm ²)	2.5	
General Data		
Stripping length (mm)	7-8	
Insulation material	PA	
Pitch (mm)	5.08	
H (Socket) (mm)	15.0	
W (Socket) (mm)	5.08*P+10.16	
L (Socket) (mm)	19.2	
H (Plug) (mm)	15.0	
W (Plug) (mm)	5.08*P+10.16	
L (Plug) (mm)	18.0	
H (Combination) (mm)	15.0	
W (Combination) (mm)	5.08*P+10.16	
L (Combination) (mm)	28.9	
Part number	Package	

Pole	P/N	Package
2	2ESDHM-02PQK01	10
3	2ESDHM-03PQK01	10
4	2ESDHM-04PQK01	10
8	2ESDHM-08PQK01	10



3ESDHM-XXPQK01		
Rated Data	UL	IEC
Rated Voltage (V)	300	800
Rated Current (A)	15	12
Rated impulse voltage	6KV	
Wire range (AWG/mm ²)	24-12	0.2-2.5
Connection Capacity		
Max. Solid (mm ²)	2.5	
Max. Stranded (mm ²)	2.5	
General Data		
Stripping length (mm)	7-8	
Insulation material	PA	
Pitch (mm)	7.62	
H (Socket) (mm)	15.0	
W (Socket) (mm)	7.62*P+10.38	
L (Socket) (mm)	19.2	
H (Plug) (mm)	15.0	
W (Plug) (mm)	7.62*P+10.58	
L (Plug) (mm)	18.1	
H (Combination) (mm)	15.0	
W (Combination) (mm)	7.62*P+10.58	
L (Combination) (mm)	28.7	
Part number	Package	

Pole	P/N	Package
3	3ESDHM-03PQK01	5
4	3ESDHM-04PQK01	5



ECSH116VM-XXPQK01		
Rated Data	UL	IEC
Rated Voltage (V)	600	1000
Rated Current (A)	51	76
Rated impulse voltage	6KV	
Wire range (AWG/mm ²)	16-6	0.5-16
Connection Capacity		
Max. Solid (mm ²)	16	
Max. Stranded (mm ²)	16	
General Data		
Stripping length (mm)	14-15	
Insulation material	PA	
Pitch (mm)	10.16	
H (Socket) (mm)	28.5	
W (Socket) (mm)	10.16*P+17.36	
L (Socket) (mm)	44.1	
H (Plug) (mm)	28.0	
W (Plug) (mm)	10.16*P+17.76	
L (Plug) (mm)	39.0	
H (Combination) (mm)	28.5	
W (Combination) (mm)	10.16*P+17.76	
L (Combination) (mm)	68.3	
Part number	Package	

Pole	P/N	Package
3	ECSH116VM-03PQK01	5
4	ECSH116VM-04PQK01	5

Panel Installation Terminal Blocks

- Panel installation terminal blocks offer solution at the current range of 15A~150A.
- DKB series is a screw connection design to offer stable connection for power transmission.
- DKUP series is a special design stud terminal block with the screw nut kept in the top cover guided by spring.
- The nut pop-up design generates a wire-ready status which can save time of loosening the screw and provide secured fastening. Only 2 screws can completely install the terminal block.

Panel Installation Terminal Blocks Introduction

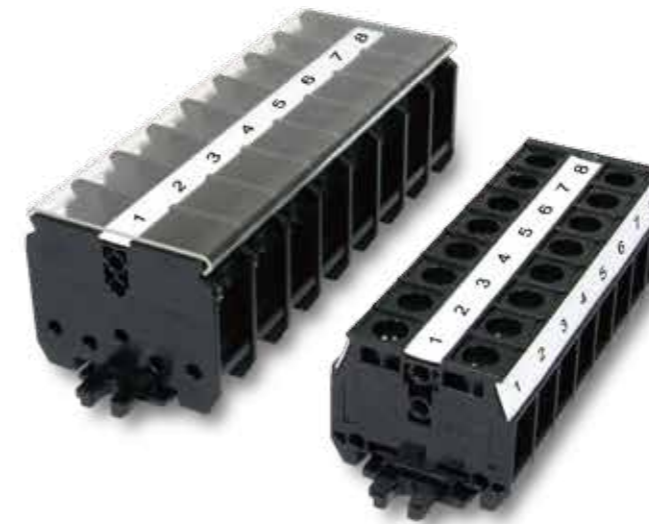
Panel installation barrier terminal blocks are available to offer the current range of 15A~500A.

DKB series adopts screw connection structure, which benefit is stable connections.

DKU series is a quick wiring structure with the special upper cover design to allow the screws kept in the upper cover after releasing the connection, thus the terminal block generates a wire-ready status, which can prevent the screws from being lost and save the wiring time.

Apply on panel installation, the terminal block can be quickly fixed on the panel by only 2 pcs of screws.

TM-R100 continuous flat marking label can be cut by customers according to needed length. Flexible marking system offers easy identification during wiring. CSK series insertion bridge is for easy and complete short circuits.



DKUP series is a special structure with a nut guided by a spring on the top cover and then generates a wire-ready status to save the time of loosening screw, which can also prevent the loss of screw.



The DKB..N series applies screw structure and allow the connection by ring or fork lug to secure the reliable wiring. the product is compact and optimize space utility.



The product is available from 10~500A. With the support of flexible marking system, identification can be easily made during the wiring process. Panel mounting structure is also available in order to locate the wiring at different places.

Quick Wring Terminal Blocks



IP20



Designed with spring guided system, the screws can be popped up to allow ring or fork cable lug easily inserted and installed without entirely removing the screws and washer.

DKUP...XXPK series offers 02P ~ 12P, pre-installed with printed marking labels. CSK11 jumper is also available for short circuit or power distribution applications.

DKUP...XXPK

Accessories

- Insertion bridge
- Continuous flat marking label (Center / Outer)
- Tool (mm)



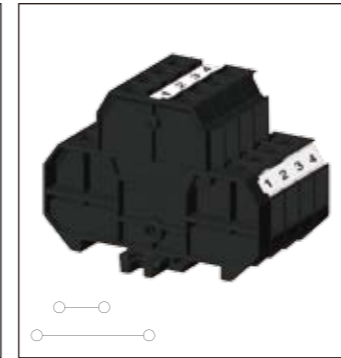
DKUP15-XXPK		
Rated Data	UL	IEC
Rated Voltage (V)	600	630
Rated Current (A)	15	17.5
Rated impulse voltage	8KV	
Wire range (AWG/mm ²)	26-14	0.2-1.5
Ring / Fork Cable Lugs		
Hole diameter min (mm)	3.2	
Cable lug connection width,max (mm)	6	
General Data		
Torque (N.m)	0.6-1.0	
Screw thread	M3	
Insulation material	PC	
T x W x H (mm)	7 x 36.5 x 28	

Part number	Package
CSK11-15XX-A	50
CSK11-15XX-A-RD	50
CSK11-15XX-A-BL	50
TM-R100 / TM-R100	10
#0 / 3.0 DNT11-0201	



DKUP20-XXPK		
Rated Data	UL	IEC
Rated Voltage (V)	600	630
Rated Current (A)	20	24
Rated impulse voltage	8KV	
Wire range (AWG/mm ²)	26-12	0.2-2.5
Ring / Fork Cable Lugs		
Hole diameter min (mm)	3.7	
Cable lug connection width,max (mm)	7.2	
General Data		
Torque (N.m)	1.0-1.3	
Screw thread	M3.5	
Insulation material	PC	
T x W x H (mm)	8.2 x 36.5 x 28	

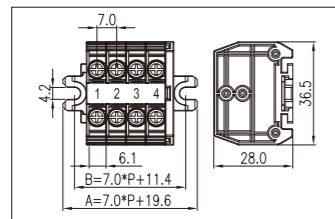
Part number	Package
CSK11-20XX-A	50
CSK11-20XX-A-RD	50
CSK11-20XX-A-BL	50
TM-R100 / TM-R100	10
#0 / 3.0 DNT11-0201	



DKUUP20-XXPK		
Rated Data	UL	IEC
Rated Voltage (V)	600	630
Rated Current (A)	20	24
Rated impulse voltage	8KV	
Wire range (AWG/mm ²)	26-12	0.2-2.5
Ring / Fork Cable Lugs		
Hole diameter min (mm)	3.7	
Cable lug connection width,max (mm)	7.2	
General Data		
Torque (N.m)	1.0-1.3	
Screw thread	M3.5	
Insulation material	PC	
T x W x H (mm)	8.2 x 71 x 48.5	

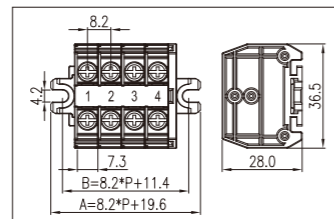
Part number	Package
CSK11-2002-A	100
CSK11-2003-A	100
CSK11-2006-A	50
CSK11-2020-A	20
TM-R100 / TM-R100	10
#0 / 3.0 DNT11-0201	

Dimension



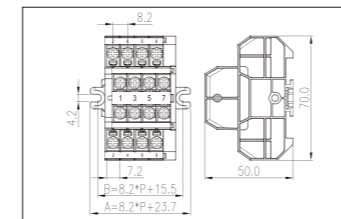
Part number	Package
DKUP15-02PK	50
DKUP15-03PK	50
DKUP15-04PK	20
DKUP15-12PK	20

Dimension



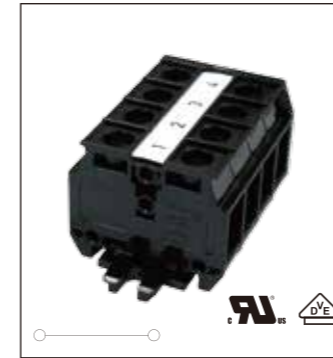
Part number	Package
DKUP20-02PK	50
DKUP20-03PK	50
DKUP20-04PK	20
DKUP20-12PK	20

Dimension



Part number	Package
DKUUP20-02PK	50
DKUUP20-03PK	50
DKUUP20-04PK	20
DKUUP20-12PK	20

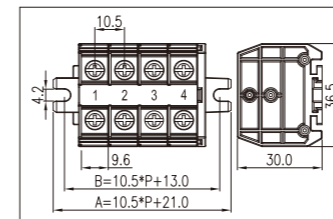
Quick Wring Terminal Blocks



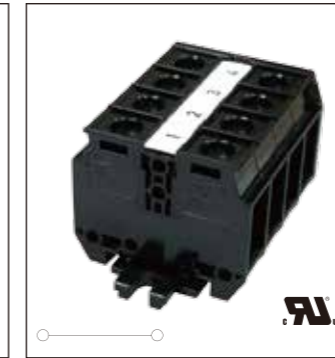
DKUP30-XXPK		
Rated Data	UL	IEC
Rated Voltage (V)	600	630
Rated Current (A)	30	32
Rated impulse voltage	8KV	
Wire range (AWG/mm ²)	26-10	0.2-4
Ring / Fork Cable Lugs		
Hole diameter min (mm)	4.3	
Cable lug connection width,max (mm)	9.5	
General Data		
Torque (N.m)	1.2-2.0	
Screw thread	M4	
Insulation material	PC	
T x W x H (mm)	10.5 x 36.5 x 30	

Part number	Package
CSK11-30XX-A	50
CSK11-30XX-A-RD	50
CSK11-30XX-A-BL	50
TM-R100 / TM-R100	10
#1 / 5.0 DNT11-0202	

Dimension



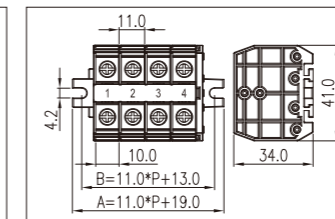
Part number	Package
DKUP30-02PK	50
DKUP30-03PK	50
DKUP30-04PK	20
DKUP30-12PK	20



DKUP40-XXPK		
Rated Data	UL	IEC
Rated Voltage (V)	600	630
Rated Current (A)	45	41
Rated impulse voltage	8KV	
Wire range (AWG/mm ²)	24-8	0.2-6
Ring / Fork Cable Lugs		
Hole diameter min (mm)	4.3	
Cable lug connection width,max (mm)	9.8	
General Data		
Torque (N.m)	1.2-2.0	
Screw thread	M4	
Insulation material	PC	
T x W x H (mm)	11 x 41 x 34	

Part number	Package
CSK11-4002-A	50
CSK11-4003-A	50
TM-R100 / TM-R100	10
#1 / 5.0 DNT11-0202	

Dimension



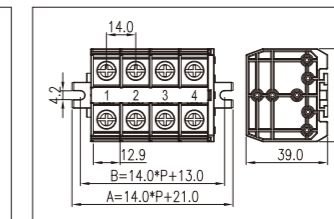
Part number	Package
DKUP40-02PK	20
DKUP40-03PK	20
DKUP40-04PK	10
DKUP40-12PK	10



DKUP60-XXPK		
Rated Data	UL	IEC
Rated Voltage (V)	600	630
Rated Current (A)	60	76
Rated impulse voltage	8KV	
Wire range (AWG/mm ²)	20-6	0.5-16
Ring / Fork Cable Lugs		
Hole diameter min (mm)	5.3	
Cable lug connection width,max (mm)	12	
General Data		
Torque (N.m)	2.6-3.7	
Screw thread	M5	
Insulation material	PC	
T x W x H (mm)	14 x 44.5 x 39	

Part number	Package
CSK11-6002-A	50
CSK11-6003-A	50
TM-R100 / TM-R100	10
#1 / 5.0 DNT11-0202	

Dimension



Part number	Package
DKUP60-02PK	20
DKUP60-03PK	20
DKUP60-04PK	10
DKUP60-12PK	10

Quick Wring

Screw Connection Terminal Blocks



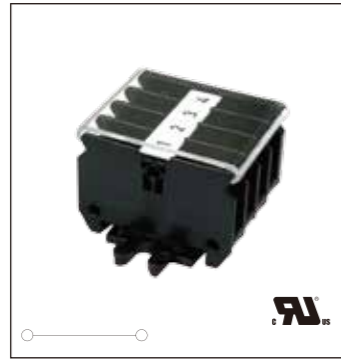
Compact housing design, small volume without compromising its electrical specifications, suitable for applications in limited space.

DKB..N-XXPCK series offers from 02P to 12P, equipped with transparent cover on top and pre-installs the printed marking labels. CSK11 jumpers is also available for short circuit or power distribution application.

DKB..N-XXPCK

Accessories

Cover	
Insertion bridge	
Continuous flat marking label	
Tool (mm)	



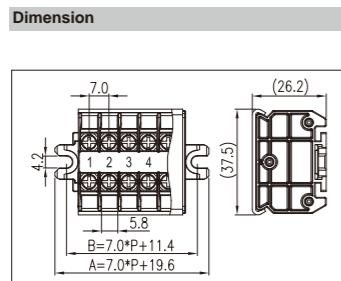
DKB15N-XXPCK		
Rated Data	UL	IEC
Rated Voltage (V)	600	630
Rated Current (A)	15	17.5
Rated impulse voltage	8KV	
Wire range (AWG/mm ²)	26-14	0.2-1.5
Ring / Fork Cable Lugs		
Hole diameter min (mm)	3.2	
Cable lug connection width,max (mm)	6	
General Data		
Torque (N.m)	0.6-1.0	
Screw thread	M3	
Stripping length (mm)		
Insulation material	PC	
T x W x H (mm)	7 x 36.5 x 26.2	
Part number	Package	
DKBC10-1000	1	
CSK11-1502-A	100	
CSK11-1503-A	100	
CSK11-1506-A	50	
CSK11-1520-A	20	
TM-R100	10	
#0 / 3.0 DNT11-0201		



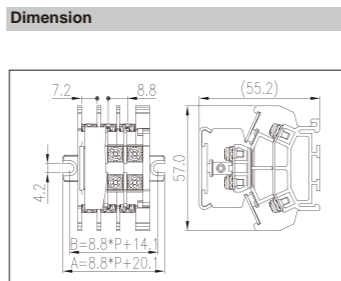
DKBB10-XXPCK		
Rated Data	UL	IEC
Rated Voltage (V)	600	800
Rated Current (A)	15	24
Rated impulse voltage	8KV	
Wire range (AWG/mm ²)	22-14	0.34-2.5
Ring / Fork Cable Lugs		
Hole diameter min (mm)	3.2	
Cable lug connection width,max (mm)	7.2	
General Data		
Torque (N.m)	0.5	
Screw thread	M3	
Stripping length (mm)	8	
Insulation material	PC	
T x W x H (mm)	8.8 x 57 x 55.2	
Part number	Package	
DKBC10-1000	1	
DKBBC10-1000	1	
CSK01-10XX-A	50	
CSK01-10XX-B	50	
CSK02-10XX-A	50	
CSK02-10XX-B	50	
TM-R100	10	
2.0 x 24		



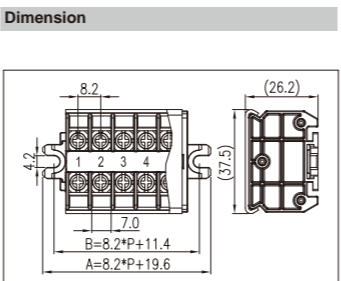
DKB20N-XXPCK		
Rated Data	UL	IEC
Rated Voltage (V)	600	630
Rated Current (A)	20	24
Rated impulse voltage	8KV	
Wire range (AWG/mm ²)	26-12	0.2-2.5
Ring / Fork Cable Lugs		
Hole diameter min (mm)	3.7	
Cable lug connection width,max (mm)	7.2	
General Data		
Torque (N.m)	0.8-1	
Screw thread	M3.5	
Stripping length (mm)		
Insulation material	PC	
T x W x H (mm)	8.2 x 36.5 x 26.2	
Part number	Package	
DKBC10-1000	1	
CSK11-2002-A	100	
CSK11-2003-A	100	
CSK11-2006-A	50	
CSK11-2020-A	20	
TM-R100	10	
#0 / 3.0 DNT11-0201		



Part number	Package
DB15N-02PCK	50
DB15N-03PCK	50
DB15N-04PCK	20
DB15N-12PCK	20

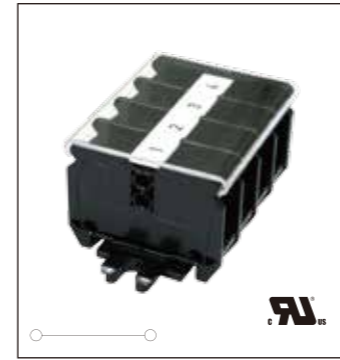


Part number	Package
DKBB10-02PCK	20
DKBB10-03PCK	10
DKBB10-04PCK	10
DKBB10-10PCK	10

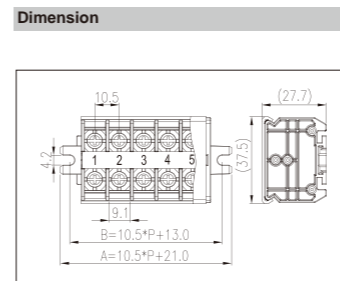


Part number	Package
DB20N-02PCK	50
DB20N-03PCK	50
DB20N-04PCK	20
DB20N-12PCK	20

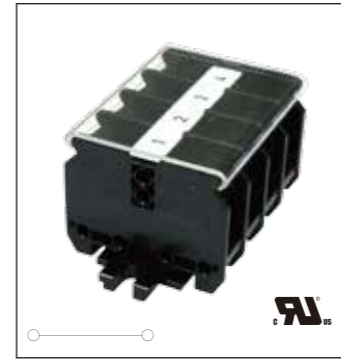
Screw Connection Terminal Blocks



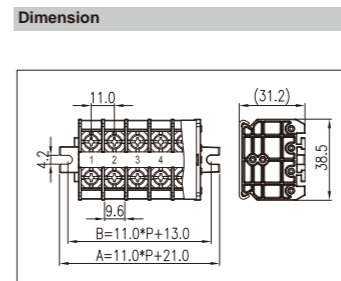
DKB30N-XXPCK		
Rated Data	UL	IEC
Rated Voltage (V)	600	630
Rated Current (A)	30	32
Rated impulse voltage	8KV	
Wire range (AWG/mm ²)	26-10	0.2-4
Ring / Fork Cable Lugs		
Hole diameter min (mm)	4.3	
Cable lug connection width,max (mm)	9.5	
General Data		
Torque (N.m)	1.2-1.5	
Screw thread	M4	
Stripping length (mm)		
Insulation material	PC	
T x W x H (mm)	10.5 x 36.5 x 27.7	
Part number	Package	
DKBC10-1000	1	
CSK11-3002-A	100	
CSK11-3003-A	100	
CSK11-3006-A	50	
CSK11-3010-A	20	
TM-R100	10	
#1 / 5.0 DNT11-0202		



Part number	Package
DB30N-02PCK	50
DB30N-03PCK	50
DB30N-04PCK	20
DB30N-12PCK	20



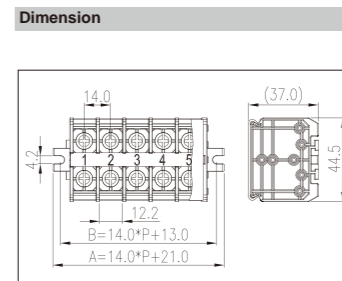
DKB40N-XXPCK		
Rated Data	UL	IEC
Rated Voltage (V)	600	630
Rated Current (A)	45	41
Rated impulse voltage	8KV	
Wire range (AWG/mm ²)	24-8	0.2-6
Ring / Fork Cable Lugs		
Hole diameter min (mm)	4.3	
Cable lug connection width,max (mm)	9.8	
General Data		
Torque (N.m)	1.2-1.5	
Screw thread	M4	
Stripping length (mm)		
Insulation material	PC	
T x W x H (mm)	11 x 41 x 31.2	
Part number	Package	
DKBC10-1000	1	
CSK11-4002-A	50	
CSK11-4003-A	50	
TM-R100	10	
#1 / 5.0 DNT11-0202		



Part number	Package
DKB40N-02PCK	20
DKB40N-03PCK	20
DKB40N-04PCK	10
DKB40N-12PCK	10



DKB60N-XXPCK		
Rated Data	UL	IEC
Rated Voltage (V)	600	630
Rated Current (A)	60	76
Rated impulse voltage	8KV	
Wire range (AWG/mm ²)	20-6	0.5-16
Ring / Fork Cable Lugs		
Hole diameter min (mm)	5.3	
Cable lug connection width,max (mm)	12	
General Data		
Torque (N.m)	1.6-1.8	
Screw thread	M5	
Stripping length (mm)		
Insulation material	PC	
T x W x H (mm)	14 x 44.5 x 37	
Part number	Package	
DKBC60N-1000	1	
CSK11-6002-A	50	
CSK11-6003-A	50	
TM-R100	10	
#1 / 5.0 DNT11-0202		



Part number	Package
DKB60N-02PCK	20
DKB60N-03PCK	20
DKB60N-04PCK	10
DKB60N-12PCK	10

Screw Connection

Screw Connection Terminal Blocks

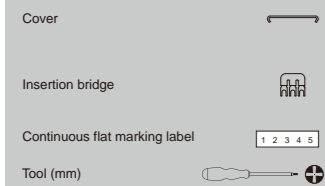


DKB...-XXPCK series offers high rated current solutions with 6 options from 85A to 620A.

Screw connection method provide a stable wiring solution that is easy to install and flexible to assemble.

DKB..-XXPCK

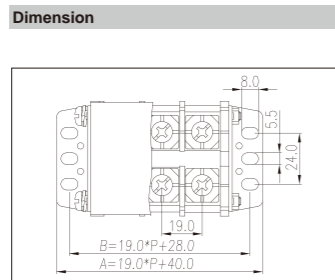
Accessories



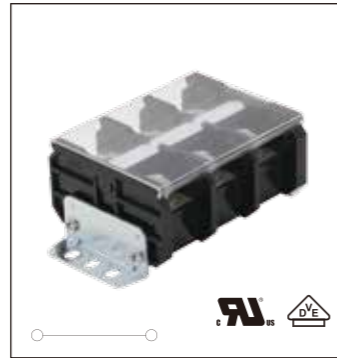
*To be used with ring or fork terminal on the end of the conductor before wiring.



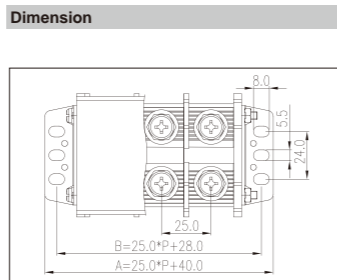
DKB80-XXPCK		
Rated Data	UL	IEC
Rated Voltage (V)	600	800
Rated Current (A)	85	101
Rated impulse voltage	8KV	
Wire range (AWG/mm ²)	18-4	0.75-25
General Data		
Torque (N.m)	4	
Screw thread	M6	
Stripping length (mm)	18	
Insulation material	PC	
T x W x H (mm)	19 x 54 x 38	
Part number	Package	
DKBC60-1000	1	
CSK01-60XX-A	50	
CSK01-60XX-B	50	
CSK02-60XX-A	50	
CSK02-60XX-B	50	
TM-R200	10	
#2 / 6.0 DNT11-0205		



Part number	Package
DKB80-02PCK	10
DKB80-03PCK	10
DKB80-04PCK	10
DKB80-10PCK	10



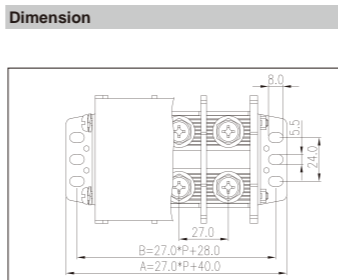
DKB100-XXPCK		
Rated Data	UL	IEC
Rated Voltage (V)	600	800
Rated Current (A)	115 (200*)	150*
Rated impulse voltage	8KV	
Wire range (AWG/mm ²)	8-3/0	10-50
General Data		
Torque (N.m)	8	
Screw thread	M8	
Stripping length (mm)	20	
Insulation material	PC	
T x W x H (mm)	25 x 62 x 44.7	
Part number	Package	
DKBC100-1000	1	
TM-R200	10	
#3 / 8.0 DNT11-0208		



Part number	Package
DKB100-02PCK	10
DKB100-03PCK	10
DKB100-04PCK	10
DKB100-10PCK	5

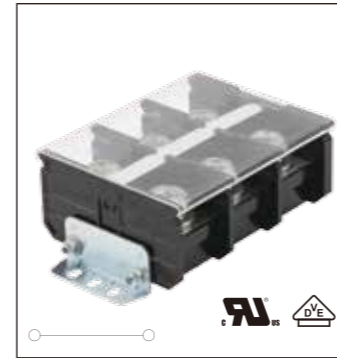


DKB150-XXPCK		
Rated Data	UL	IEC
Rated Voltage (V)	600	1000
Rated Current (A)	190*	192*
Rated impulse voltage	8KV	
Wire range (AWG/mm ²)	8-3/0	10-70
General Data		
Torque (N.m)	8	
Screw thread	M8	
Stripping length (mm)	20	
Insulation material	PC	
T x W x H (mm)	27 x 70 x 46.2	
Part number	Package	
DKBC150-1000	1	
TM-R200	10	
#3 / 8.0 DNT11-0208		

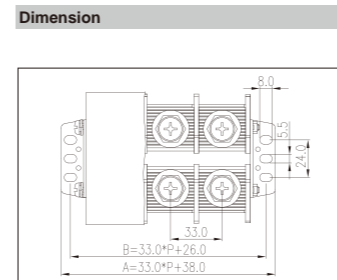


Part number	Package
DKB150-02PCK	10
DKB150-03PCK	10
DKB150-04PCK	10
DKB150-10PCK	10

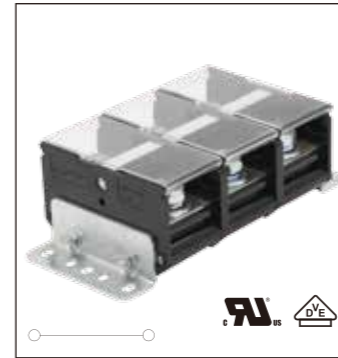
Screw Connection Terminal Blocks



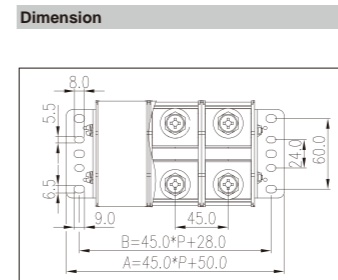
DKB200-XXPCK		
Rated Data	UL	IEC
Rated Voltage (V)	600	1000
Rated Current (A)	230*	232*
Rated impulse voltage	8KV	
Wire range (AWG/mm ²)	8-4/0	10-95
General Data		
Torque (N.m)	10	
Screw thread	M10	
Stripping length (mm)	24	
Insulation material	PC	
T x W x H (mm)	33 x 82 x 48	
Part number	Package	
DKBC200-1000	1	
TM-R200	10	
#3 / 8.0 DNT11-0208		



Part number	Package
DKB200-02PCK	10
DKB200-03PCK	10
DKB200-04PCK	10
DKB200-10PCK	5



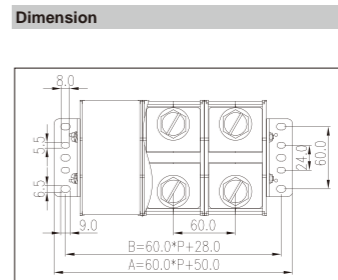
DKB300-XXPCK		
Rated Data	UL	IEC
Rated Voltage (V)	600	1000
Rated Current (A)	380*	415*
Rated impulse voltage	8KV	
Wire range (AWG/mm ²)	3/0-500 Kcmil	70-240
General Data		
Torque (N.m)	10	
Screw thread	M10	
Stripping length (mm)	30	
Insulation material	PC	
T x W x H (mm)	45 x 90 x 58.5	
Part number	Package	
DKBC300	1	
TM-R200	10	
#3 / 8.0 DNT11-0208		



Part number	Package
DKB300-02PCK	10
DKB300-03PCK	10
DKB300-04PCK	10
DKB300-10PCK	3



DKB500-XXPCK		
Rated Data	UL	IEC
Rated Voltage (V)	1000	1000
Rated Current (A)	475* (620**)	520*
Rated impulse voltage	8KV	
Wire range (AWG/mm ²)	350-750 Kcmil	150-300
General Data		
Torque (N.m)	10	
Screw thread	M16	
Stripping length (mm)	43	
Insulation material	PC	
T x W x H (mm)	60 x 111 x 79.5	
Part number	Package	
DKBC500	1	
TM-R200	10	
2.0 x 24		
#2*300 Kcmil		



Part number	Package
DKB500-02PCK	1
DKB500-03PCK	1
DKB500-04PCK	1
DKB500-10PCK	5

Panel Type Terminal Blocks

Introduction

Feed-Through Panel Type Terminal Blocks

- Suitable for the application in the lower power spectrum to connect to small motors.
- PM..N series are available to apply in power distribution in various position combination.
- Compact design applies in constrained space.
- Accessories including marking labels, bridges, and partition plates, that can meet various requirements.



For the application in the lower power spectrum to connect to small motors.

Apply in power distribution in various position combination.

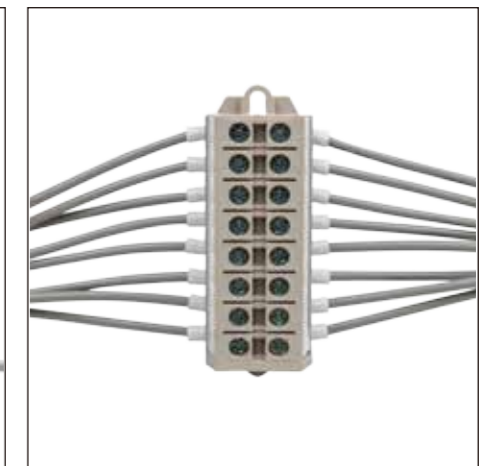
Compact design applies in constrained space.



Easy-latching flange design on both sides offers firm and user-friendly connection to make locking and unlocking more easy.

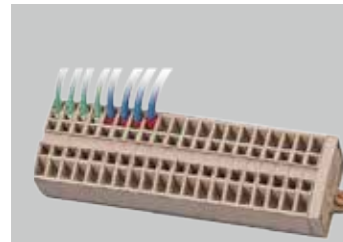


Available in spring clamp and screw types, offer firm and durable connection even in vibrating applications. It meets requests from signal and power transmission.



Compact design offers high density wiring connection in constrained space. Available in 8A~76A to meet requests from various applications.

Spring Connection Panel Type Terminal Blocks

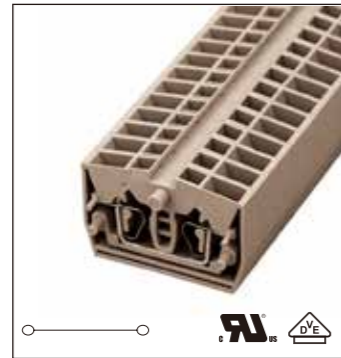


Suitable for the application in the lower power spectrum to connect to small motors.

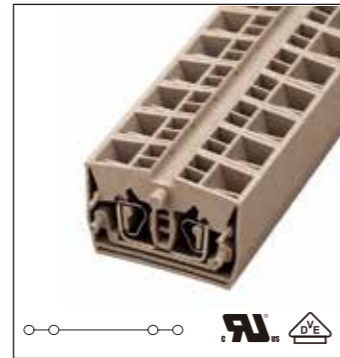
PM(M)2.5WN series are available to apply in power distribution with 2& 4 wirings for options.

Compact design of Spring clamp design for anti-vibration. Available accessories include insertion bridges and marking labels.

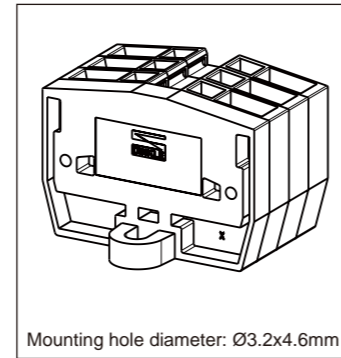
PM..WN



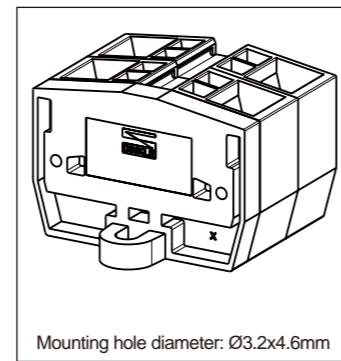
PM2.5WN-XXP		
Rated Data	UL	IEC
Rated Voltage (V)	600	800
Rated Current (A)	20	24
Rated impulse voltage	8KV	
Wire range (AWG/mm ²)	28-12	0.5-2.5
Connection Capacity		
Max. Solid (mm ²)	4	
Max. Stranded (mm ²)	2.5	
General Data		
Torque (N.m)		
Screws		
Stripping length (mm)	8-10	
Insulation material	PA	
T x H x W (mm)	5.1 x 22 x 32	
Package	50	



PMM2.5WN-XXP		
Rated Data	UL	IEC
Rated Voltage (V)	600	800
Rated Current (A)	20	24
Rated impulse voltage	8KV	
Wire range (AWG/mm ²)	28-12	0.5-2.5
Connection Capacity		
Max. Solid (mm ²)	4	
Max. Stranded (mm ²)	2.5	
General Data		
Torque (N.m)		
Screws		
Stripping length (mm)	8-10	
Insulation material	PA	
T x H x W (mm)	10 x 22 x 32	
Package	50	

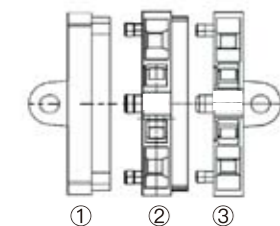
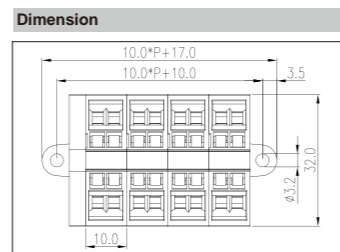
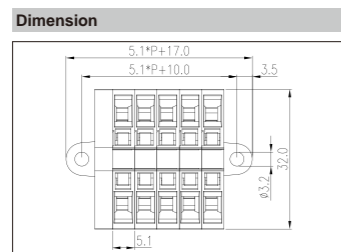


PM2.5WNH1-XXP		
Mounting hole diameter: Ø3.2x4.6mm		



PMM2.5WNH1-XXP

Accessories



Assembled blocks	End cover	Single block	End cover with spring clamp
PM2.5WN-XXP	PM2.5WNCA	PM2.5WN	PM2.5WNCB
PMM2.5WN-XXP	PMM2.5WNCA	PMM2.5WN	PMM2.5WNCB

Spring Connection Panel Type Terminal Blocks



Compact design for panel mounting by flanges.

Spring clamp design wiring structure for anti-vibration.

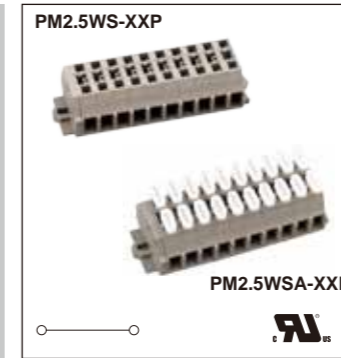
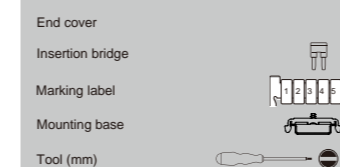
Standard 2&4 wirings per connection points are available.

Available accessories include insertion bridges and marking labels.

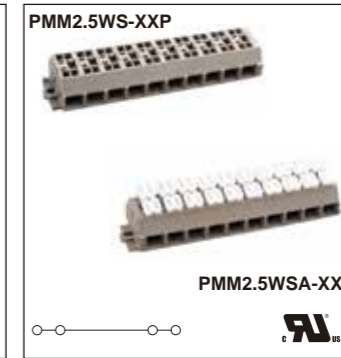
Design is compliant with IEC 60947-4-1 and UL 1059.

PM..WS..

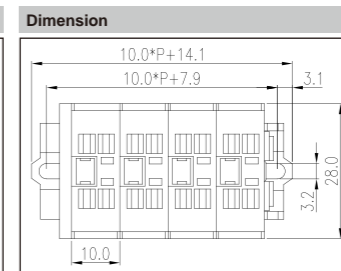
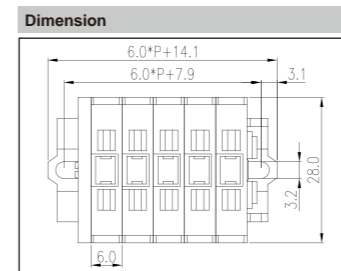
Accessories



PM2.5WS-XXP PM2.5WSA-XXP		
Rated Data	UL	IEC
Rated Voltage (V)	600	630
Rated Current (A)	25	24
Rated impulse voltage	8KV	
Wire range (AWG/mm ²)	28-12	0.5-2.5
Connection Capacity		
Max. Solid (mm ²)	2.5	
Max. Stranded (mm ²)	2.5	
General Data		
Torque (N.m)		
Screws		
Stripping length (mm)	7-8	
Insulation material	PA	
T x H x W (mm) (PM2.5WS)	6 x 18 x 28	
T x H x W (mm) (PM2.5WSA)	6 x 23.3 x 28	
Package	50	



PMM2.5WS-XXP PMM2.5WSA-XXP		
Rated Data	UL	IEC
Rated Voltage (V)	600	630
Rated Current (A)	25	24
Rated impulse voltage	8KV	
Wire range (AWG/mm ²)	28-12	0.5-2.5
Connection Capacity		
Max. Solid (mm ²)	2.5	
Max. Stranded (mm ²)	2.5	
General Data		
Torque (N.m)		
Screws		
Stripping length (mm)	7-8	
Insulation material	PA	
T x H x W (mm) (PMM2.5WS)	10 x 18 x 28	
T x H x W (mm) (PMM2.5WSA)	10 x 23.3 x 28	
Package	50	



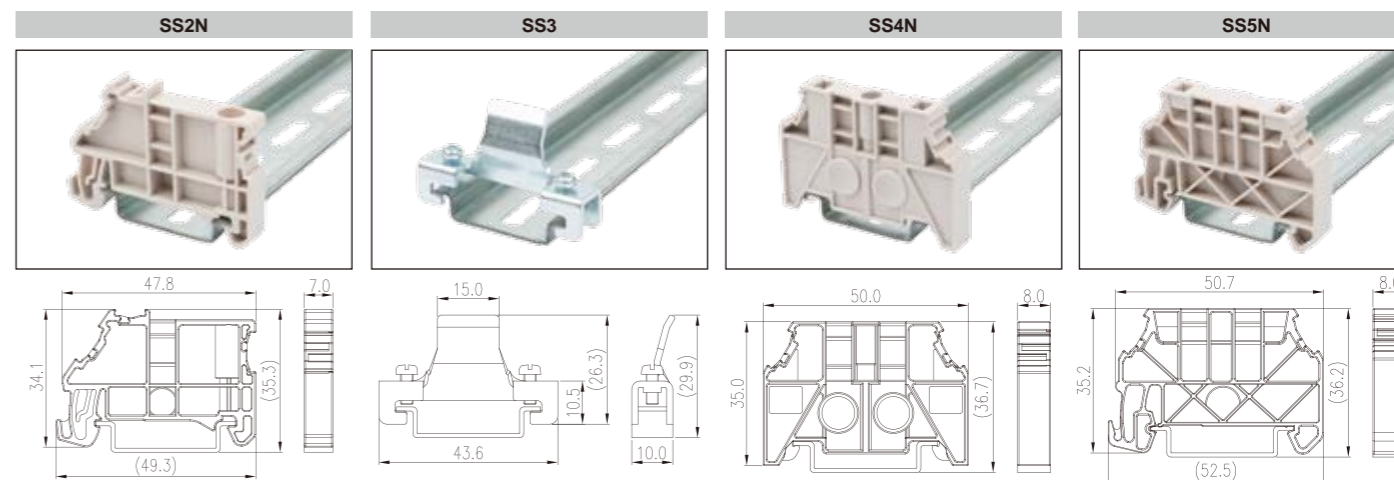
Assembled blocks	End cover	Single block	End cover with spring clamp
PM2.5WS-XXP	PM2.5WSC	PM2.5WS	-
PM2.5WSA-XXP	PM2.5WSC	PM2.5WSA	-
PMM2.5WS-XXP	PM2.5WSC	PMM2.5WS	-
PMM2.5WSA-XXP	PM2.5WSC	PMM2.5WSA	-

Accessories

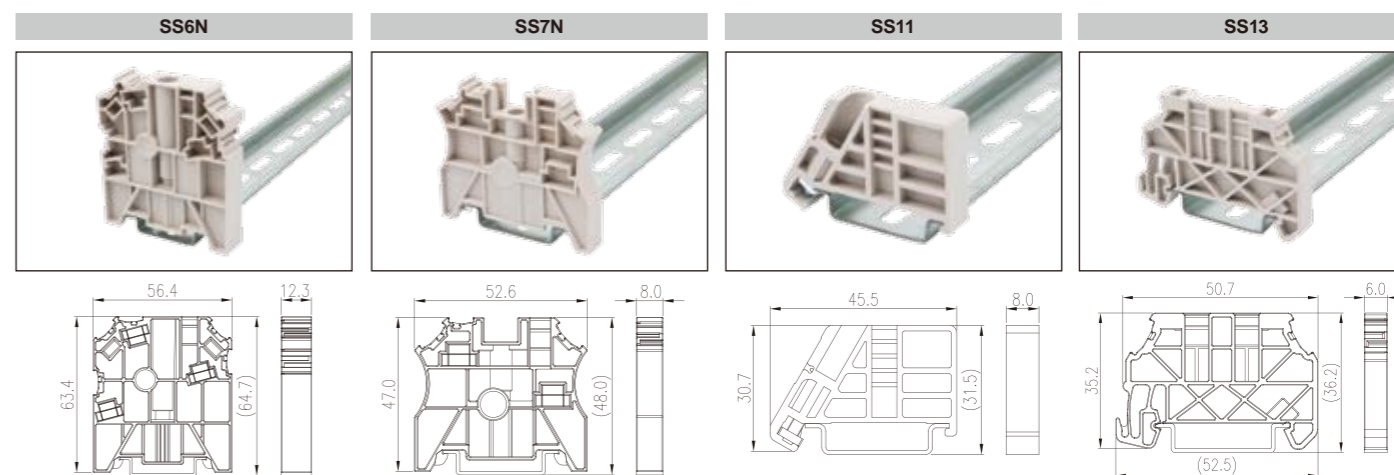
- DIN rail terminal blocks offer full range of accessories, including covers, end brackets, partition plates, bridges, fuse, hand tools and marking system.
- Marking block helps to save space directly on terminal block.
- Cross connection system provides plug-in and side insertion bridges.



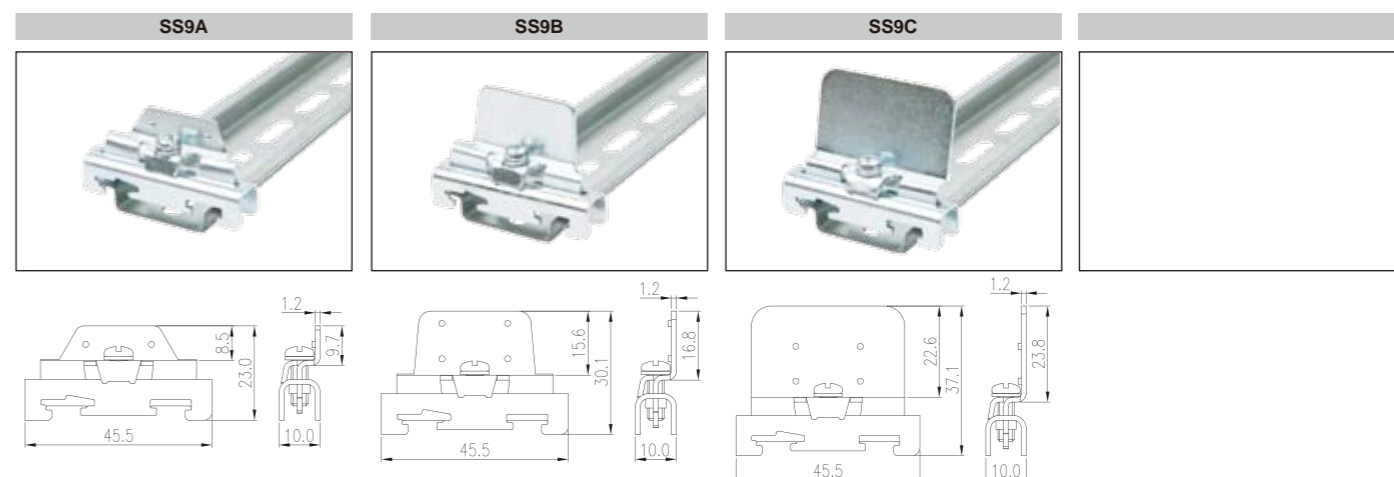
End Bracket



Part number	DIN Rail	Marking label	Package
SS2N	TS-35, TS-35/15	TM43W, TM48W, TM-R100, TM-R200	50
SS3	TS-35, TS-35/15	-	50
SS4N	TS-35, TS-35/15	TM49W, TM-R200	50
SS5N	TS-35, TS-35/15	TM49W, TM-R200	50

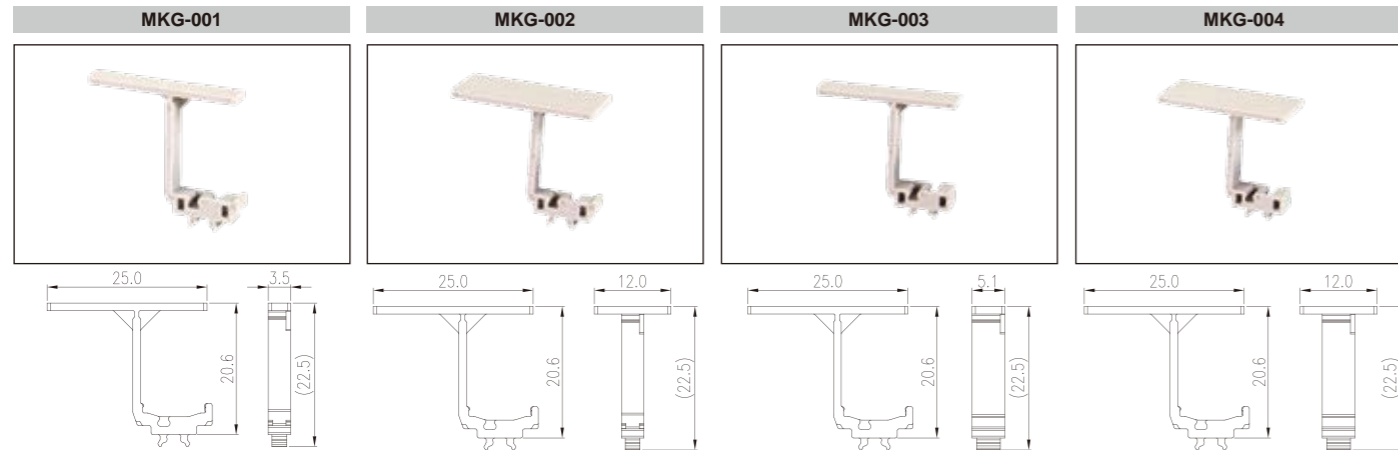


Part number	DIN Rail	Marking label	Package
SS6N	TS-35, TS-35/15	TM50W, TM-R200	50
SS7N	TS-35, TS-35/15	TM44W, TM49W, TM-R100, TM-R200	50
SS11	TS-35, TS-35/15	TM49W	50
SS13	TS-35, TS-35/15	TM49W, TM-R200	50

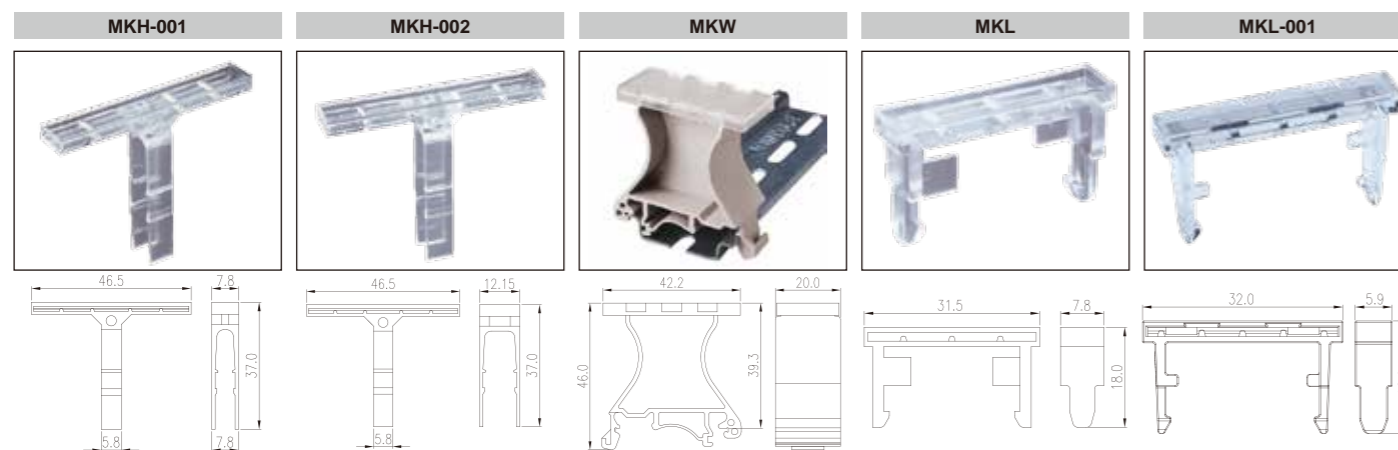


Part number	Compatible Product	Package
SS9A	TS-35, TS-35/15	50
SS9B	TS-35, TS-35/15	50
SS9C	TS-35, TS-35/15	50

Marking Block

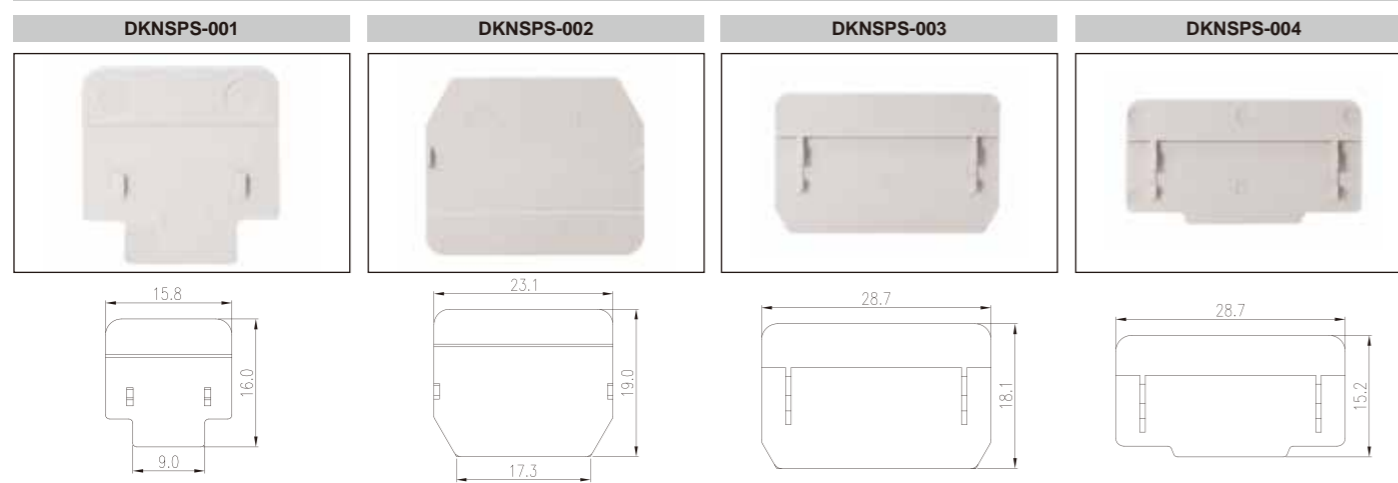


Part number	Compatible Product	Marking label	Package
MKG-001	SS2N, SS6N, SS7N, DP Series, AK Series	TM-R200	200
MKG-002	SS2N, SS6N, SS7N, DP Series, AK Series	TM-R200	200
MKG-003	SS2N, SS6N, SS7N, DP Series, AK Series	TM-R200	200
MKG-004	SS2N, SS6N, SS7N, DP Series, AK Series	TM-R200	200



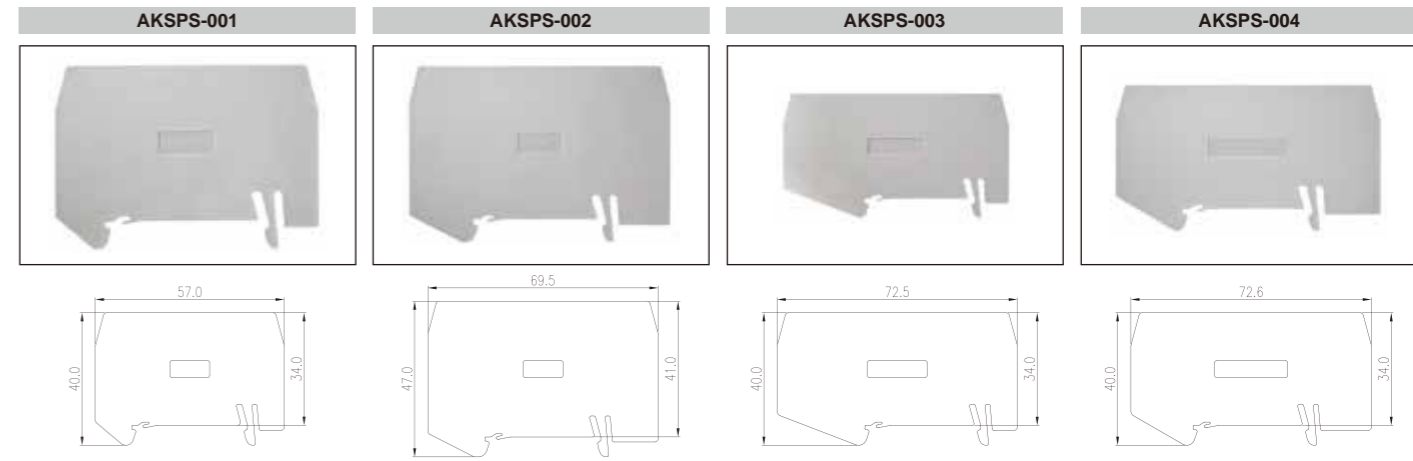
Part number	Compatible Product	Marking label	Package
MKH-001	DP2.5SGC, SS4N, SS5N, SS7N, SS11	TM-R100	50
MKH-002	SS6N	TM-R200	50
MKW	TS-35, TS-35/15		20
MKL	SS4N, SS5N	TM-R100	100
MKL-001	SS13	TM-R110	100

Separating Disk

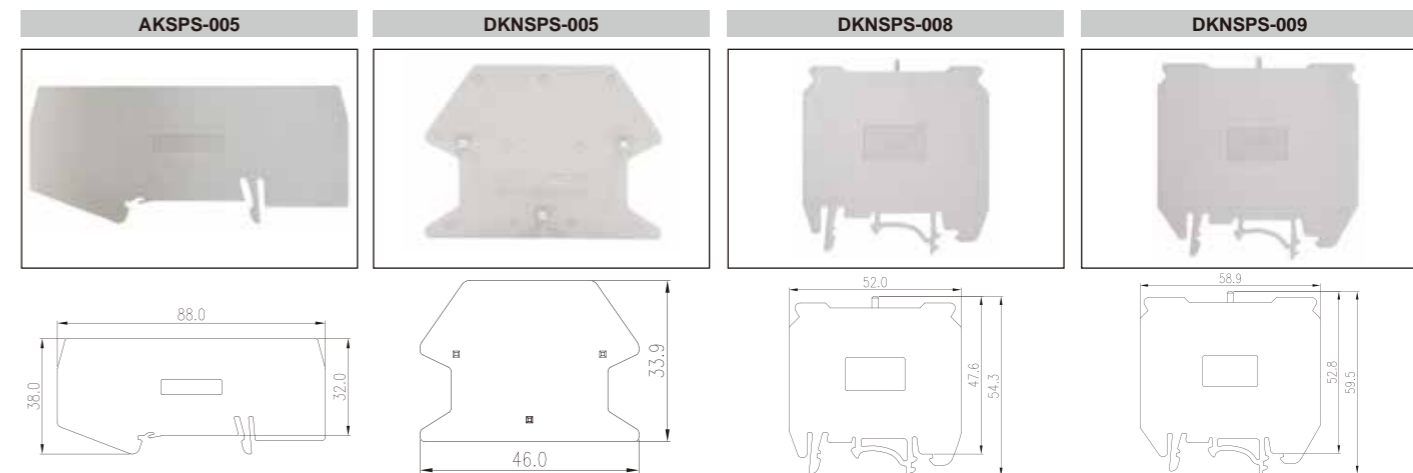


Part number	Compatible Product	Package
DKNSPS-001	DK2.5N, DK4N, DK2.5N-TN, DK4N-TN, DK10N-TN, DK2.5N-TR, DK4N-TR, DKK2.5N Series, DKK4N Series	50
DKNSPS-002	DK6N, DK10N, DK6N-TN	50
DKNSPS-003	DK16H	50
DKNSPS-004	DK16N, DK35N, DK35H	50

Partition Plate



Part number	Compatible Product	Package
AKSPS-001	DP1.5N, DP2.5N, DP4N, DP1.5N-PE, DP2.5N-PE, DP4N-PE, AK1.5, AK2.5, AK4	50
AKSPS-002	DP6N, DP6N-PE, AK6	50
AKSPS-003	DP1.5N-TN, DP2.5N-TN, DP4N-TN, DP6N-TN, DP1.5N-TN-PE, DP2.5N-TN-PE, DP4N-TN-PE, DP6N-TN-PE, AK1.5-TN, AK2.5-TN, AK4-TN, AK2.5-TP, AK4-TP, AK2.5-TG, AK4-TG, AK2.5-CP, AK4-CP, AK4-TF(5X20), AK4-TFLXX(5X20)	50
AKSPS-004	DP1.5N-TR, DP2.5N-TR, DP1.5N-TR-PE, DP2.5N-TR-PE, AK1.5-TR, AK2.5-TR, AK2.5-TN-TP, AK2.5-TN-TG, AK2.5-TN-CP	50


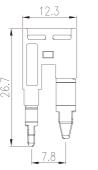
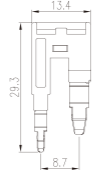
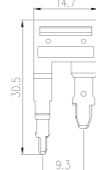
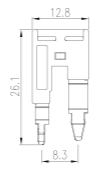
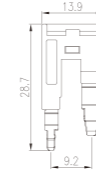
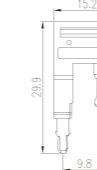
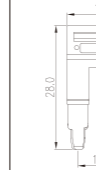


Part number	Compatible Product	Package
AKSPS-005	DP4N-TR, DP4N-TR-PE, AK4-TR	50
DKNSPS-005	DK2.5N, DK4N	50
DKNSPS-008	DK2.5N, DK4N, DK6N	50
DKNSPS-009	DK10N, DK16N	50


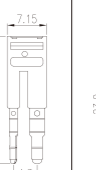
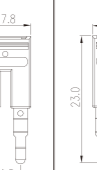

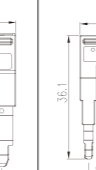
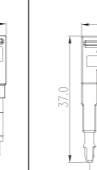




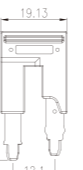


Part number	Compatible Product	Package
DKNSPS-010	DK35N	50

Reducing Bridge

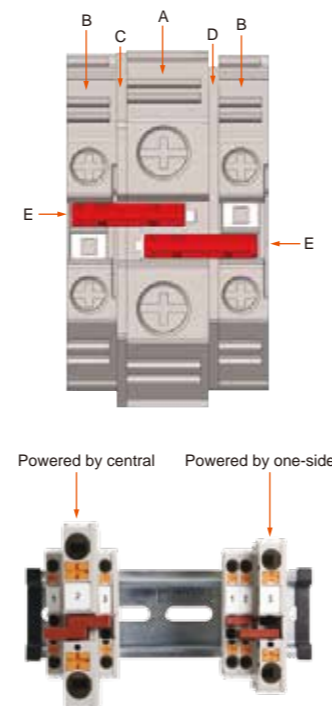
	DSD02-2.5/6 	DSD02-2.5/10 	DSD02-2.5/16 	DSD02-4/6 	DSD02-4/10 	DSD02-4/16 	DSD02-6/16 
---	---	--	--	---	--	--	--

Part number	Compatible Products	Package
DSD02-2.5/6	DK2.5N, DK6N, DK2.5N-TN, DK6N-TN, DK2.5N-TR	100
DSD02-2.5/10	DK2.5N, DK10N, DK2.5N-TN, DK10N-TN, DK2.5N-TR	100
DSD02-2.5/16	DK2.5N, DK16N, DK2.5N-TN, DK2.5N-TR	100
DSD02-4/6	DK4N, DK6N, DK4N-TN, DK6N-TN, DK4N-TR	100
DSD02-4/10	DK4N, DK10N, DK4N-TN, DK10N-TN, DK4N-TR	100
DSD02-4/16	DK4N-DK16N, DK4N-TN, DK4N-TR	100
DSD02-6/16	DK6N, DK16N, DK6N-TN	100


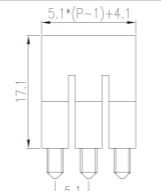
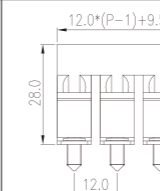
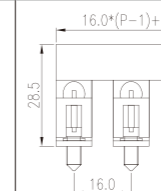
	DSD03-1.5/2.5 	DSD03-1.5/4 	DSD03-2.5/4 	DSD03-2.5/6 	DSD03-2.5/10 	DSD03-2.5/16 	DSD03-4/6 	DSD03-4/10 	DSD03-4/16 	DSD03-6/16 
---	---	---	---	---	--	--	--	--	--	--

Part number	Compatible Products	Package
DSD03-1.5/2.5	DP1.5N, DP2.5N, DP1.5N-TN, DP2.5N-TN, DP1.5N-TR, DP2.5N-TR	100
DSD03-1.5/4	DP1.5N, DP4N, DP1.5N-TN, DP4N-TN, DP1.5N-TR, DP4N-TR	100
DSD03-2.5/4	DP2.5N, DP4N, DP2.5N-TN, DP4N-TN, DP2.5N-TR, DP4N-TR	100
DSD03-2.5/6	DP2.5N, DP6N, DP2.5N-TN, DP6N-TN, DP2.5N-TR, DP6N-TR, DKD35-P001	100
DSD03-2.5/10	DP2.5N, DP10, DP2.5N-TN, DP10-TN, DP2.5N-TR	100
DSD03-2.5/16	DP2.5N, DP16, DP2.5N-TN, DP2.5N-TR	100
DSD03-4/6	DP4N, DP6N, DP4N-TN, DP6N-TN, DP4N-TR, DP6N-TR, DKD35-P001	100
DSD03-4/10	DP4N, DP10, DP4N-TN, DP10-TN, DP4N-TR	100
DSD03-4/16	DP4N, DP16, DP4N-TN, DP4N-TR	100
DSD03-6/16	DP6N, DP16, DN6N-TN, DP6N-TR	100

	Conversion bridge comparison table					Specification	
	A (Input)	B (Output)	C (Shift cover)	D (Shift cover)	E (Reducing Bridge)	Powered by one-side	Powered by central
DK.N Series	DK6N	DK2.5N	DK6NCA	DK4NCA	DSD02-2.5/6	40A	56A
		DK4N	DK6NCA	DK4NCA	DSD02-4/6	45A	56A
	DK10N	DK2.5N	DK10NCA	DK4NCA	DSD02-2.5/10	40A	65A
		DK4N	DK10NCA	DK4NCA	DSD02-4/10	45A	65A
	DK16N	DK2.5N	DK16NCA	/	DSD02-2.5/16	40A	80A
		DK4N		/	DSD02-4/16	45A	90A
	DK6N		DK6NCB	DSD02-6/16	37A	74A	
DP Series	DP2.5N	DP1.5N	/	/	DSD03-1.5/2.5	24A	30A
		DP1.5N	/	/	DSD03-1.5/4	24A	40A
	DP4N	DP2.5N	/	/	DSD03-2.5/4	40A	40A
		DP2.5N	DP6CA	DP2.5CA	DSD03-2.5/6	40A	56A
	DP6N	DP4N	DP6CA	DP4CA	DSD03-4/6	45A	56A
		DP2.5N	DP10CA	DP2.5CA	DSD03-2.5/10	40A	65A
	DP10	DP4N	DP10CA	DP4CA	DSD03-4/10	45A	65A
		DP2.5N	DP16CA	DP2.5CA	DSD03-2.5/16	40A	80A
	DP16	DP4N	DP16CA	DP4CA	DSD03-4/16	45A	90A
		DP6N	DP16CA	DP6CA	DSD03-6/16	37A	74A


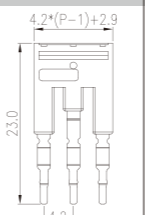
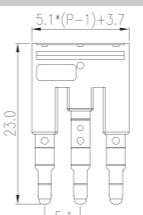
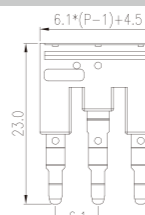
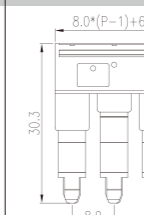
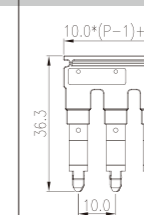
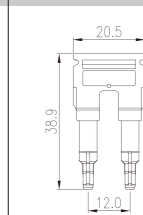
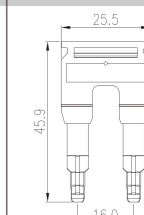


Screw-on bridge


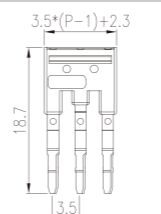

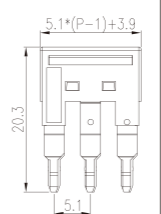
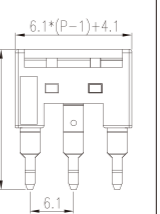
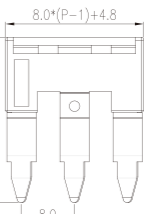
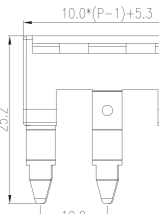
	DS2.5 	DS16 	DS35 
---	---	--	--

Part number	Position	Compatible Products	Package
DS2.5-XXP	02-10	DKES1.5, DKES1.5-XXP, DKES1.5M-XXP	2-4P : 100 / 5-10P : 50
DS16-XXP	02-10	DK16H, DK10-TF(5X20), DK10-TFA(5X20)	50
DS35-XXP	02-10	DK35H	50

Cross Connection System

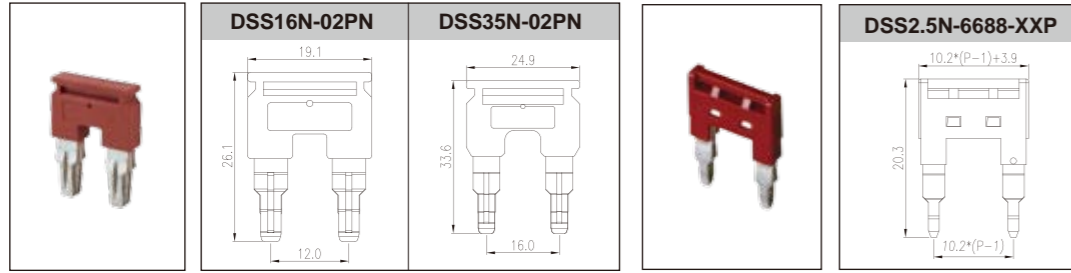
	DSD01-1.5..N 	DSD01-2.5..N 	DSD01-4..N 	DSD01-6..N 	DSD01-10..N 	DSD01-16..N 	DSD01-35..N 
---	--	--	--	--	---	---	---

Part number	Position	Compatible Products	Package
DSD01-1.5XXN	02-05,10,20	AK1.5, AK1.5-TN, AK1.5-TR, AKK1.5	2-4P : 100 / 5P, 10P, 20P : 50
DSD01-2.5XXN	02-10,20	DP2.5N, DP2.5N-TN, DP2.5N-TR, DP2.5N-PE, DP2.5N-TN-PE, DP2.5N-TR-PE, DPP2.5N Series, DP2.5N-3L Series, DPD16-P001, DKD35-P001, DP2.5SG Series, DPES2.5, DPES2.5-PE, DP2.5-TP, DP2.5-TG, DP2.5-CP, DPP2.5-TP, DPP2.5-TG, DPP2.5-CP, AK2.5, AK2.5-TN, AK2.5-TR, AK2.5-TP, AK2.5-TN-TP, AK2.5-TR-TP, AK2.5-TG, AK2.5-TN-TG, AK2.5-TR-TG, AK2.5-CP, AK2.5-TN-CP, AK2.5-TR-CP, AKK2.5, AKK2.5-D01, AKK2.5-D02, AKK2.5-D03, AKK2.5-D04, AKK2.5-PV	2-4P : 100 / 5-10P, 20P : 50
DSD01-4XXN	02-05,10,20	DP4N, DP4N-TN, DP4N-TR, DP4N-PE, DP4N-TN-PE, DP4N-TR-PE, DPP4N Series, DP4-TP, DP4-TG, DP4-CP, DP4-TF(5X20), DP4-TFLXX(5X20), DP4N-TFUL, DP4N-TFUL, DP4N-TFU(5X20), DP4N-TFUL(5X20), AK4, AK4-TN, AK4-TR, AKK4, AK4-TP, AK4-TG, AK4-CP, AK4-TF(5X20), AK4-TFLXX(5X20)	2-4P : 100 / 5P, 10P : 50
DSD01-6XXN	02-05,10	DP6N, DP6N-TN, DP6N-TR, DP6N-PE, DP6N-TN-PE, DP6N-TR-PE, DPTD6N, DPTL6N, DPTD6N-D05, DPTD6N-D06, DKD35-P001, DP6-TF(6.3X32), DP6-TFL(6.4X32), AK6, AK6-TN, AK6-TR	2-4P : 100 / 5P, 10P : 50
DSD01-10XXN	02-05	DP10, DP10-PE, DP10-TN-PE, AK10, AK10-TN	50
DSD01-16XXN	02	DP16, AK16, AK16-TN	50
DSD01-3502N	02	AK35	50

	DSD03-1.5 		DSS2.5N 	DSS4N 	DSS6N 	DSS10N 
---	---	---	---	---	---	--

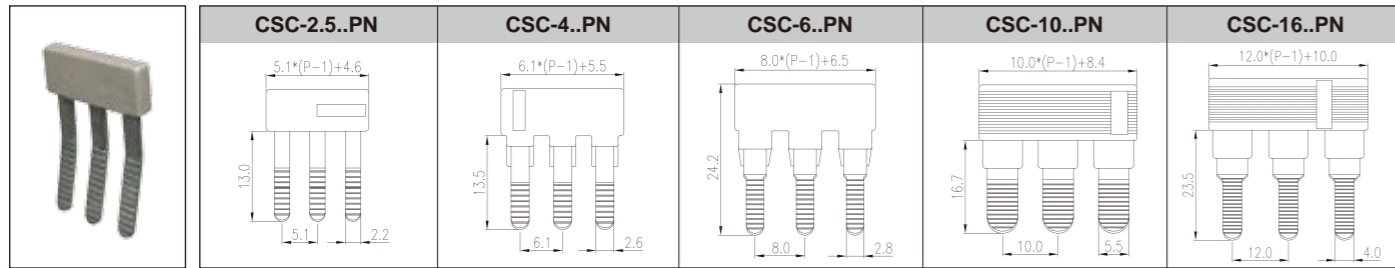
Part number	Position	Compatible Products	Package
DSD03-1.5XX	02-10,20	DP1.5N, DP1.5N-TN, DP1.5N-TR, DP1.5N-PE, DP1.5N-TN-PE, DP1.5N-TR-PE, DPP1.5N Series, DPD10-P001, DKD35-P002	100
DSS2.5N-XXP	02-20	DK2.5N, DK2.5N-TN, DK2.5N-TR, DKK2.5N, DKK2.5N-PV, DKK2.5N-L2PE, DKK2.5N-PE, DKK2.5N-TP, DKK2.5N-TG, DKK2.5N-CP	2-4P : 100 / 5-10P : 50
DSS4N-XXP	02-20	DK4N, DK4N-TN, DK4N-TR, DKK4N, DKK4N-PV, DKK4N-L2PE, DKK4N-PE, DKK4N-TP, DKK4N-TG, DKK4N-CP	2-4P : 100 / 5-10P : 50
DSS6N-XXP	02-20	DK6N, DK6N-TN	2-4P : 100 / 5-10P : 50
DSS10N-XXP	02-20	DK10N, DK10N-TN	50

Cross Connection System

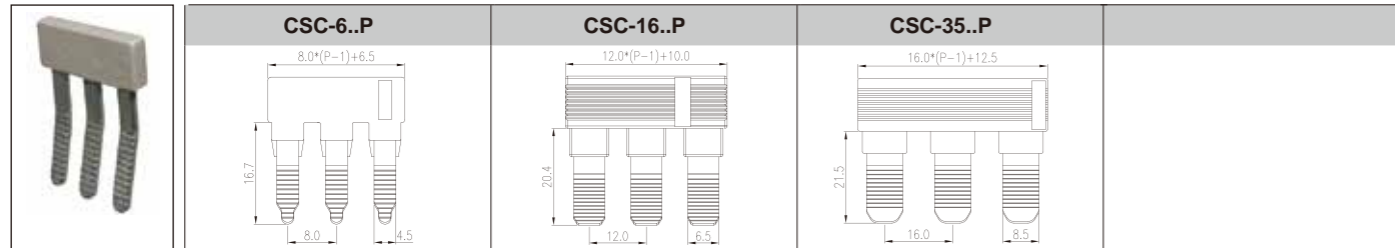


Part number	Position	Compatible Products	Package
DSS16N-02PN	02	DK16N	50
DSS35N-02PN	02	DK35N	50
DSS2.5N-6688-XXP	02-05	DK2.5N, DK2.5N-TN, DKK2.5N Series	2P : 100 / 3-5P : 50

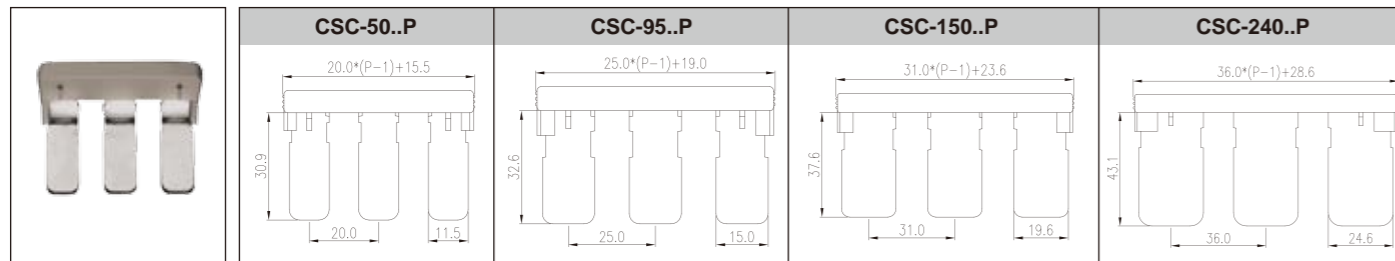
Insertion bridge



Part number	Position	Compatible Products	Package
CSC-2.5XXPN	02-10	DK2.5N, DK2.5N-TN, DK2.5N-TR, DKK2.5N Series, DK2.5N-TP, DK2.5N-TG, DK2.5N-CP	2-4P : 100 / 5-10P : 50
CSC-4XXPN	02-10	DK4N, DK4N-TN, DK4N-TR, DKK4N Series, DK4N-TP, DK4N-TG, DK4N-CP	2-4P : 100 / 5-10P : 50
CSC-6XXPN	02-10	DK6N, DK6N-TN, DK4N-TF(5X20), DK4N-TFL(5X20), DKK4-TF(5X20)	2-4P : 100 / 5-10P : 50
CSC-10XXPN	02-10	DK10N, DK10N-TN	50
CSC-16XXPN	02, 03, 10	DK10-TF(5X20), DK10-TFA(5X20)	50

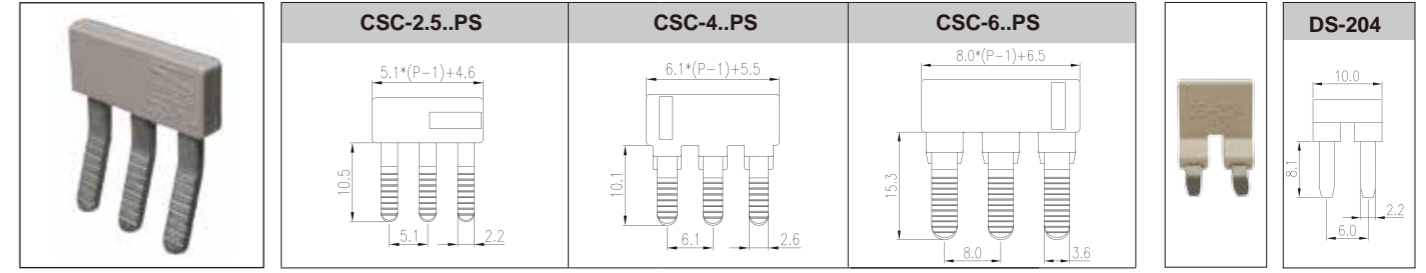


Part number	Position	Compatible Products	Package
CSC-6XXP	02-10	DK6N, DKTD6N	2-4P : 100 / 5-10P : 50
CSC-16XXP	02-04, 10	DK16H	50
CSC-35XXP	02-10	DK35H, DK35N	50

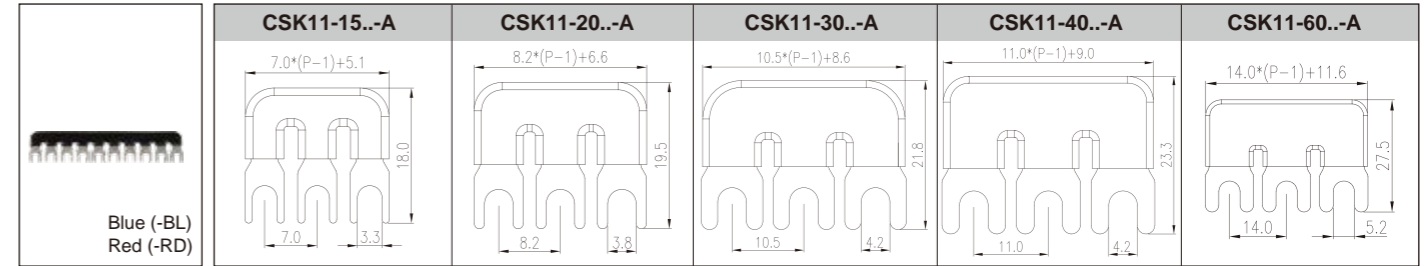


Part number	Position	Compatible Products	Package
CSC-50XXP	02, 03	DK50	50
CSC-95XXP	02, 03	DK95	50
CSC-150XXP	02, 03	DK150	50
CSC-240XXP	02, 03	DK240	50

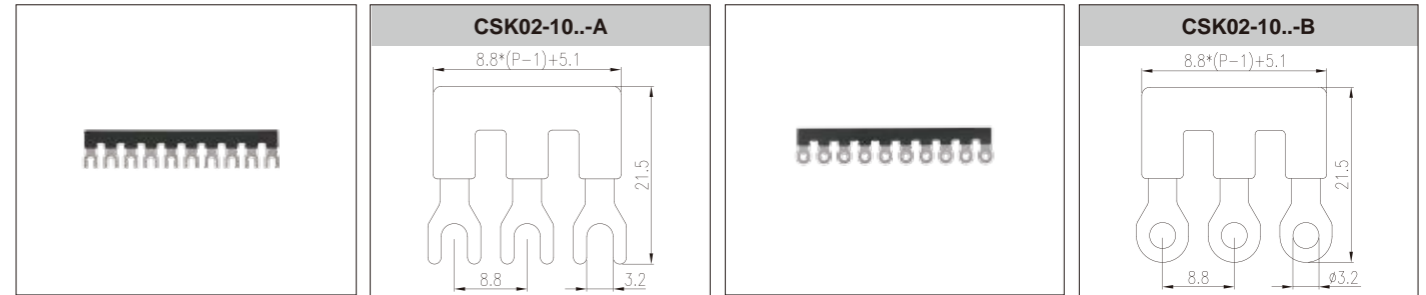
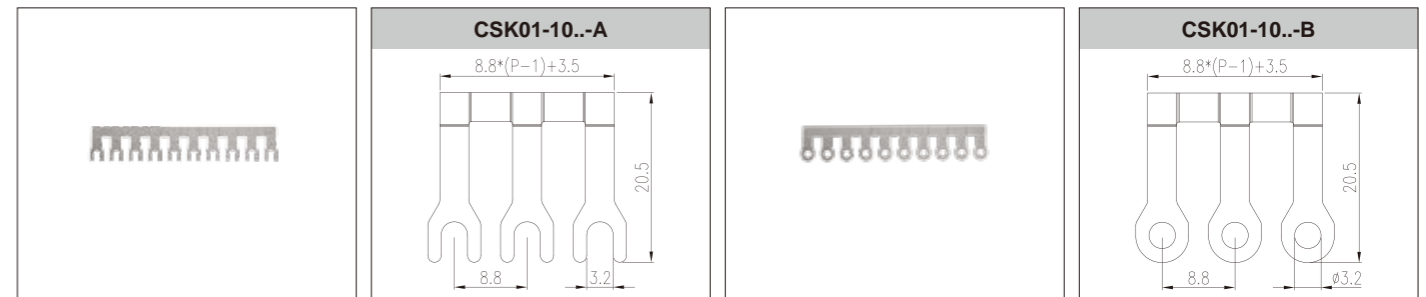
Insertion bridge



Part number	Position	Compatible Products	Package
CSC-2.5XXPS	02-10	DK2.5S, PM2.5N-XXP	2-4P : 100 / 5-10P : 50
CSC-4XXPS	02-10	DK4S, PM4N-XXP	2-4P : 100 / 5-10P : 50
CSC-6XXPS	02-10	DK6S, PM6N-XXP	2-4P : 100 / 5-10P : 50
DS-204	02	PM2.5WS-XXP, PM2.5WSA-XXP, PMM2.5WS-XXP, PMM2.5WSA-XXP	100

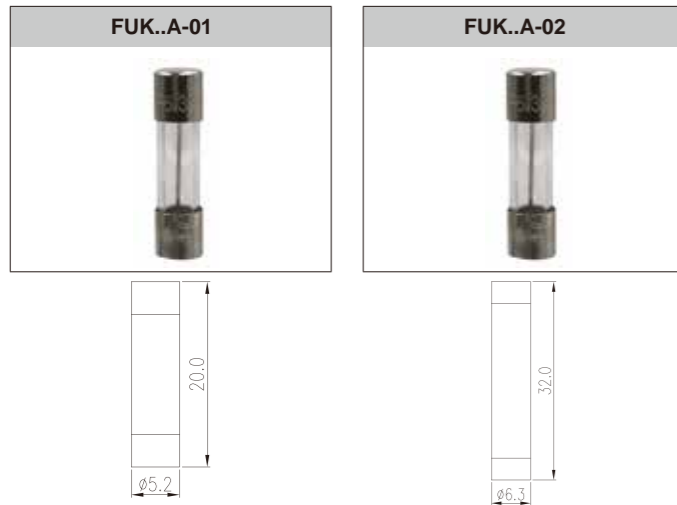


Part number	Position	Compatible Products	Package
CSK11-15XX-A	02, 03, 06, 20	DKU15, DKUP15-XXPK, DKB15N, DKB15N-XXPCK	2P, 3P : 100 / 6P, 10P, 20P : 50
CSK11-20XX-A	02, 03, 06, 20	DKU20, DKUP20-XXPK, DKB20N, DKB20N-XXPCK	2P, 3P : 100 / 6P, 10P, 20P : 50
CSK11-30XX-A	02, 03, 06, 10	DKU30, DKUP30-XXPK, DKB30N, DKB30N-XXPCK	2P, 3P : 100 / 6P, 10P : 50
CSK11-40XX-A	02, 03	DKU40, DKUP40-XXPK, DKB40N, DKB40N-XXPCK	2P, 3P : 100
CSK11-60XX-A	02, 03	DKU60, DKUP60-XXPK, DKB60N, DKB60N-XXPCK	2P, 3P : 100



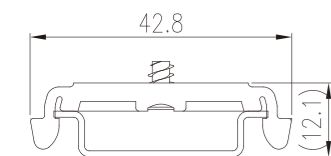
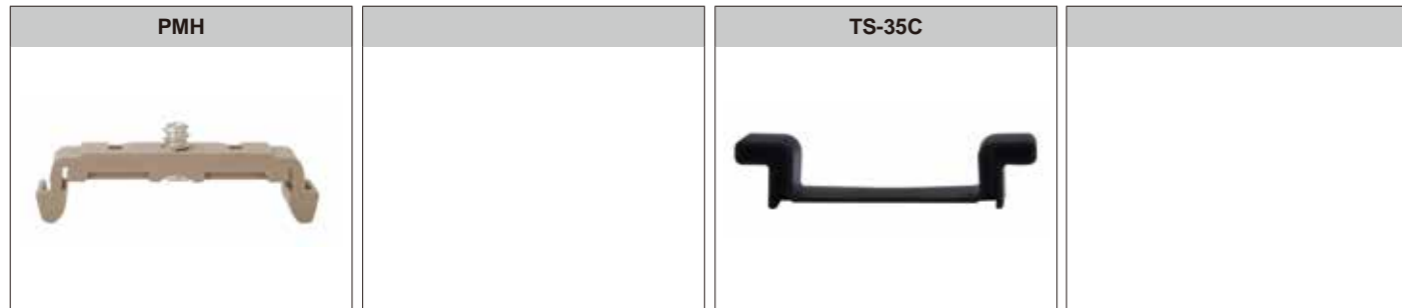
Part number	Position	Compatible Products	Package
CSK01-10XX-A	02-10	DKBB10, DKBB10-XXPCK	50
CSK01-10XX-B	02-10	DKBB10, DKBB10-XXPCK	50
CSK02-10XX-A	02-10	DKBB10, DKBB10-XXPCK	50
CSK02-10XX-B	02-10	DKBB10, DKBB10-XXPCK	50

FUSE



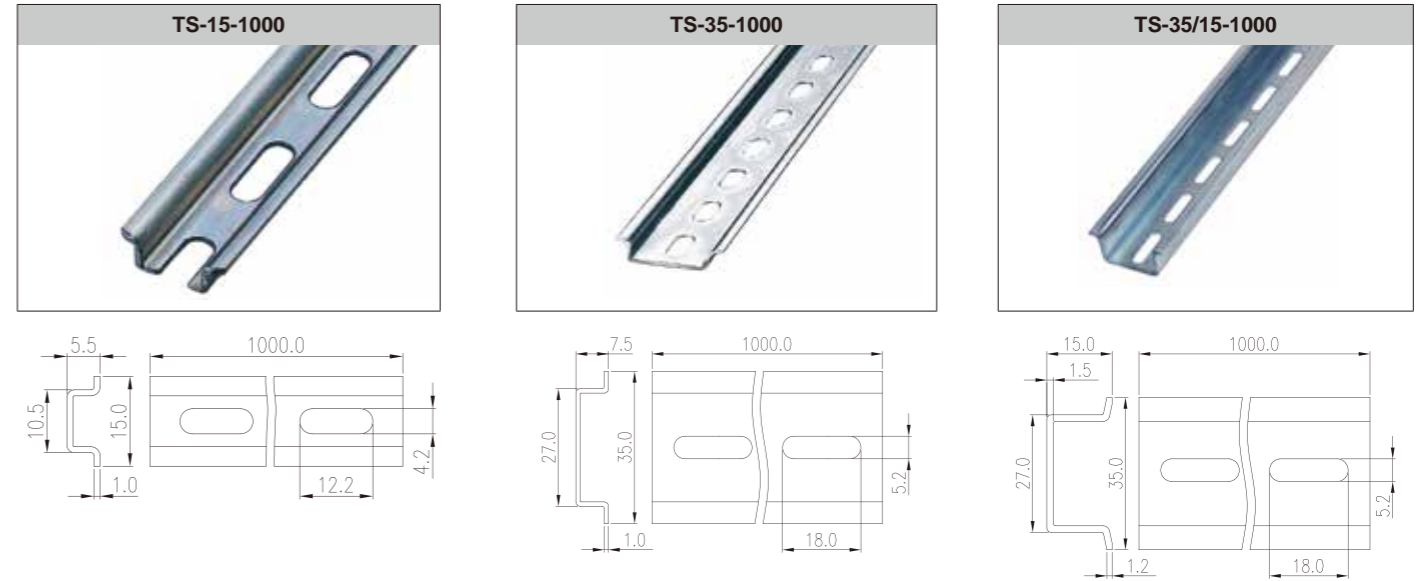
Part number	Compatible Products	Package
FUK1A-01	DP4-TF(5X20), DP4-TFLXX(5X20), DP4-TFH(5X20), DP4-TFHLXX(5X20), DP4N-TFU(5X20), DP4N-TFULXX(5X20), AK4-TFLXX(5X20), AK4-TF(5X20), DK4N-TF(5X20), DK4N-TFL(5X20), DKK4-TF(5X20), DK10-TF(5X20), DK10-TFA(5X20)	50
FUK1A-02	DP6-TF(6.3X32), DP6-TFLXX(6.3X32)	50
FUK2A-01	DP4-TF(5X20), DP4-TFLXX(5X20), DP4-TFH(5X20), DP4-TFHLXX(5X20), DP4N-TFU(5X20), DP4N-TFULXX(5X20), AK4-TFLXX(5X20), AK4-TF(5X20), DK4N-TF(5X20), DK4N-TFL(5X20), DKK4-TF(5X20), DK10-TF(5X20), DK10-TFA(5X20)	50
FUK2A-02	DP6-TF(6.3X32), DP6-TFLXX(6.3X32)	50
FUK6.3A-01	DP4-TF(5X20), DP4-TFLXX(5X20), DP4-TFH(5X20), DP4-TFHLXX(5X20), DP4N-TFU(5X20), DP4N-TFULXX(5X20), AK4-TFLXX(5X20), AK4-TF(5X20), DK4N-TF(5X20), DK4N-TFL(5X20), DKK4-TF(5X20), DK10-TF(5X20), DK10-TFA(5X20)	50
FUK6.3A-02	DP6-TF(6.3X32), DP6-TFLXX(6.3X32)	50

DIN Rail Cap



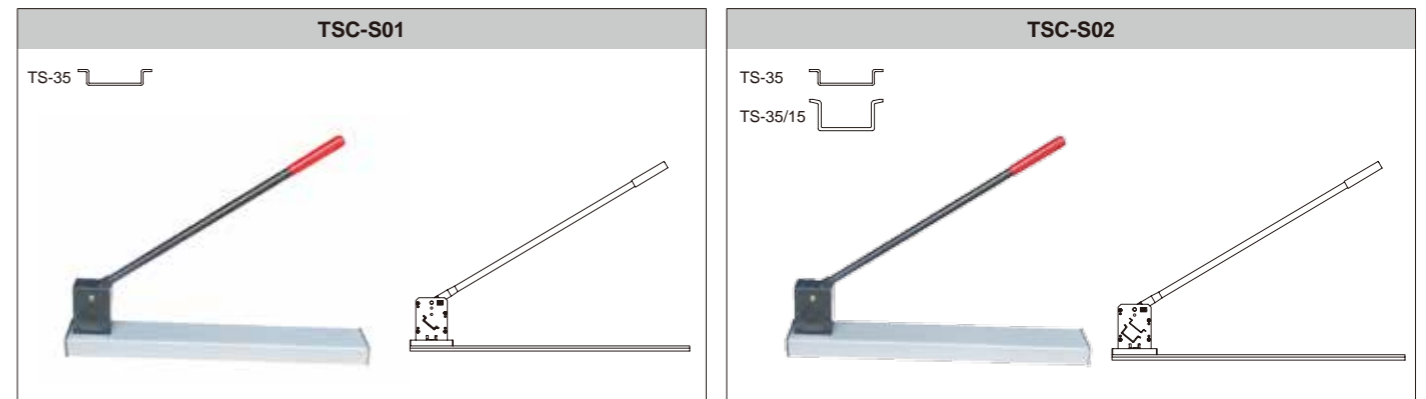
Part number	Compatible Products	Package
PMH	PM2.5N, PM4N, PM6N	50
TS-35C	TS-35	1000

DIN Rail & DIN Rail Cutter



* Specific length of rail available upon request.

Part number	Compatible Product	Package
TS-15	DK..S Series	20
TS-35	DP..Series, DK..N Series, DK..Series, AK..Series, DKB..Series, DKU..Series, DKM..Series	20
TS-35/15	DP..Series, DK..N Series, AK..N Series, DKB..Series, DKU..Series, DKM..Series	10



Part number	DIN Rail	Package
TSC-S01	TS-35	1
TSC-S02	TS-35, TS-35/15	1

Marking System

P/N : TMP-002



D-Thermo
Thermal Transfer Printer



P/N : TMP-004



Thermal Transfer Printer TMP-002

Order guide

Dinkle Thermal Transfer Printer TMP-002 includes 8 parts:
 (1)Printer x 1 set / (2) ink ribbon x 30M / (3) Printing magazine x 1 pc /
 (4)Marking label TM47W x 10 pcs / (5) Cleaning pen x 1 pc /
 (6) Power cord x 1 pc / (7)USB cable x 1 pc / (8) Installation CD x 1 pc

Features

- Applicable for all Dinkle TMXXX SERIES marking labels
- Applicable for all label in PC material
- High printing speed: ONLY 6 sec to print one card label
- Easy operation with colorful touch panel
- Connect by USB and Ethernet interfaces

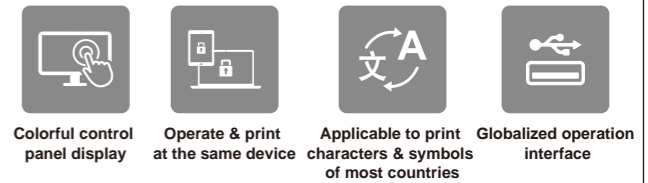
Operation

Simple to install and easy to learn the operation. Please visit Dinkle website to download the instruction manual of TMP-002 Thermal Transfer Printer.

Technical data

Print resolution	300 dpi
Print speed, max	4 inch / second (100mm/s)
Print length (max)	Imum 140 mm
Print width (max)	Imum 104 mm
Print media	Print media width 115mm Print media length 164mm
Ribbon	Length 30m Outer diameter 68mm Inner diameter 25.4mm
Interfaces	USB 2.0, full speed slave, Ethernet 10/100Base-T,Wifi (option)
Operating display	Auto Switching 100-240V AC,50-60Hz
Dimensions	253mm x189mm x320mm (TxHxW)
Weight	6kg

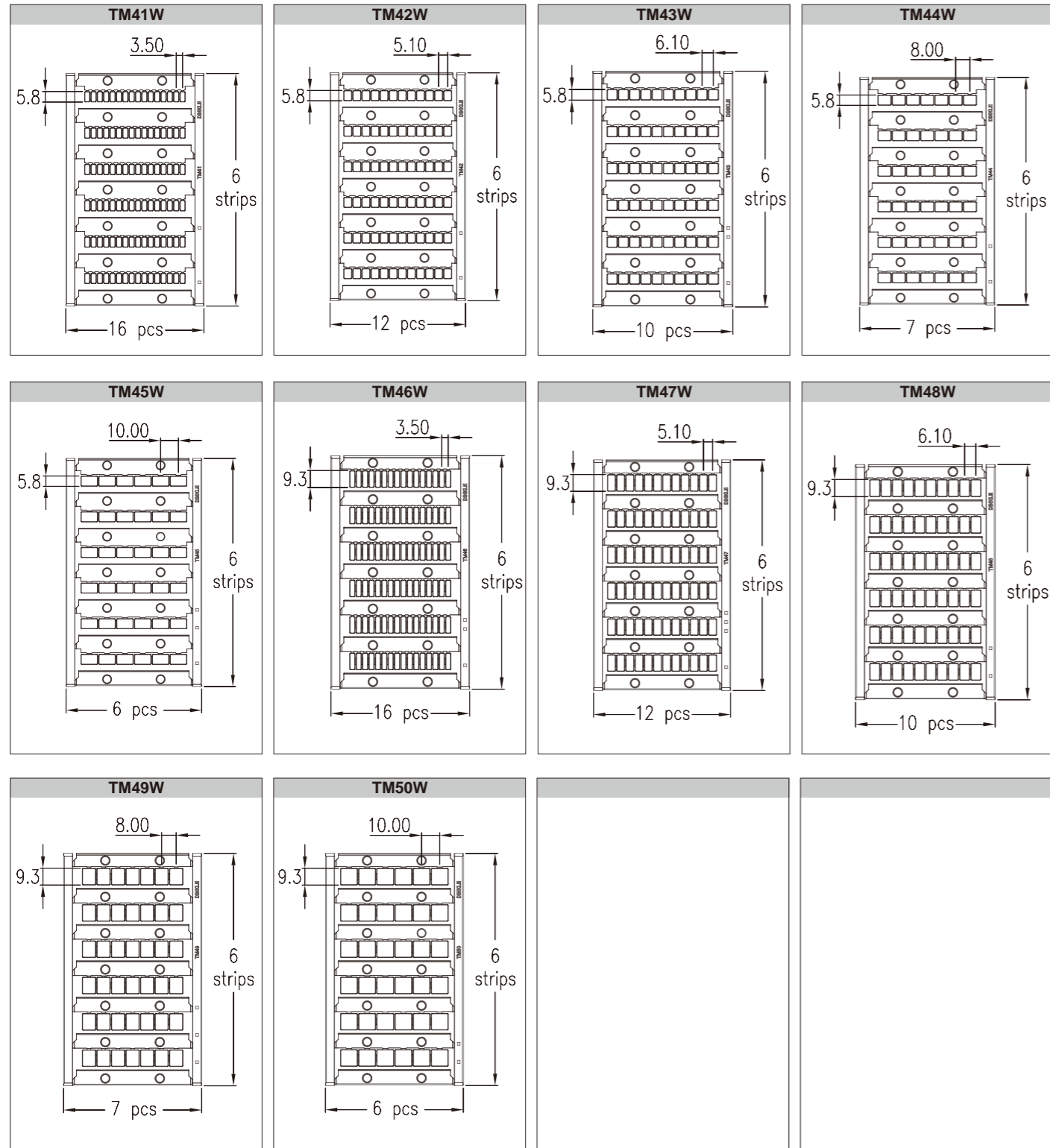
*The printer is suitable to print Dinkle marking labels at the pitch of 3.5mm, 5.1mm, 6.1mm, 8mm or 10mm and at the label length of 5.8mm or 10mm.
 (TM41W, TM42W, TM43W, TM44W, TM45W, TM46W, TM47W, TM48W, TM49W, TM50W)



TMP-002 Accessories

Magazine		Ink ribbon		Empty ribbon core		Cleaning pen	
							
Part number	Pcs / box	Part number	Pcs / box	Part number	Pcs / box	Part number	Pcs / box
TMPF-04	1	TMPT-11-300	2	TMPT-12	3	TMPC-05	2
Product Description		Product Description		Product Description		Product Description	
Magazine for accommodating TM marking labels (TM41W~TM50W) . *Consumables		Ink ribbon Color : Black Length : 300M *Consumables		Empty paper roll *Consumables		Cleaning pen *Consumables	
Power cord		USB Cable		Software Installation CD		Marking Labels	
							

Marking Labels



Part number	Width	Length	Tab number of each marking label	Pcs / box
TM41W	3.5	5.8	16x6=96	10
TM42W	5.1	5.8	12x6=72	10
TM43W	6.1	5.8	10x6=60	10
TM44W	8.0	5.8	7x6=42	10
TM45W	10.0	5.8	6x6=36	10
TM46W	3.5	9.3	16x6=96	10
TM47W	5.1	9.3	12x6=72	10
TM48W	6.1	9.3	10x6=60	10
TM49W	8.0	9.3	7x6=42	10
TM50W	10.0	9.3	6x6=36	10

Applicable Comparison Table : Marking Labels for Terminal Blocks

TM - XXX
 Marking contents (A, B, C.....Z: 00,01,02,03.....98,99)
 Color code (K: Black R: Red X: Yellow G: Green L: Blue N: Orange M: Grey W: White)
 Marking label specification 41, 42,43....50

Part number	TM41W	TM42W	TM43W	TM44W	TM45W	TM46W	TM47W	TM48W	TM49W	TM50W	
Length	5.8	5.8	5.8	5.8	5.8	10	10	10	10	10	
Width	3.5	5.1	6.1	8	10	3.5	5.1	6.1	8	10	
											Best application
											Available application
											DP1.5N, DP1.5N-PE, DP1.5N-TN, DP1.5N-TN-PE, DP1.5N-TR, DP1.5N-TR-PE
											AK1.5, AK1.5-PE, AK1.5-TN, AK1.5-TN-PE, AK1.5-TR, AK1.5-TR-PE
											DPP1.5N, DPP1.5N-PV, DPP1.5N-L2PE, DPP1.5N-PE
											AKK1.5
											DP2.5N, DP2.5N-PE, DP2.5N-TN, DP2.5N-TN-PE, DP2.5N-TR, DP2.5N-TR-PE, DP2.5-3L-SPE, DP2.5-T Series, AK2.5, AK2.5-PE, AK2.5-TN, AK2.5-TN-PE, AK2.5-TR, AK2.5-TR-PE, AK2.5-T Series, AK2.5-TN-T Series, AK2.5-TR-T Series
											DKES1.5
											DPP2.5N, DPP2.5N-PV, DPP2.5N-L2PE, DPP2.5N-PE, DP2.5N-3L, DP2.5N-3L-PV, DP2.5N-3L-L3PE, DP2.5N-3L-PE, DP2.5N-D Series, DPP2.5-T Series, DK2.5S, PM2.5N-XXP, PM2.5WN-XXP, PMM2.5WN-XXP, AKK2.5, AKK2.5-PV, AKK2.5-PE, AKK2.5-D Series
											DPES2.5, DPES2.5-PE, DP2.5PG, DP2.5SG Series, PM2.5WS-XXP, PM2.5WSA-XXP, PMM2.5WS-XXP, PMM2.5WSA-XXP
											DP4N, DP4N-PE, DP4N-TN, DP4N-TN-PE, DP4N-TR, DP4N-TR-PE, AK4, AK4-PE, AK4-TN, AK4-TN-PE, AK4-TR, AK4-TR-PE
											DPP4N, DPP4N-PV, DPP4N-L2PE, DPP4N-PE, DP4-TP, DP4-TG, DP4-CP, DP4-TF, DP4-TFL, DP4N-TFU, DP4-TFUL, AKK4, AK4-TF, AK4-T Series, DK4S, PM4N-XXP, SS2N
											DP6N, DP6N-PE, DP6N-TN, DP6N-TN-PE, DP6N-TR, DP6N-TR-PE, DPTD6N, DPTL6N, AK6, AK6-PE, AK6-TN, AK6-TN-PE, AK6-TR, AK6-TR-PE, SS7N
											DP4-TFH, DP4-TFHL, DP6-TF, DP6-TFL, PM10-XX
											DP10, DP10-PE, DP10-TN, DP10-TN-PE, AK10, AK10-PE, AK10-TN, AK10-TN-PE
											DP16, DP16-PE, AK16, AK16-PE, AK16-TN, AK35
											DPD10-P001, DPD16-P001, DKD35-P001, DKD35-P002, DK10-TF, DK10-TFA
											DK2.5N, DK2.5N-PE, DK2.5N-TN, DK2.5N-TN-PE, DK2.5N-TR, DK2.5N-TR-PE, DK1.5SG Series, DK2.5N-T Series, DKK2.5N, DKK2.5N-PV, DKK2.5N-L2PE, DKK2.5N-PE, DKK2.5N-T Series, DKK2.5N-D Series, DK2.5-PE
											DKES1.5, DK2.5-PE
											DK4N, DK4N-PE, DK4N-TN, DK4N-TN-PE, DK4N-TR, DK4N-TR-PE, DK4N-T Series, DKK4N, DKK4N-PV, DKK4N-L2PE, DKK4N-PE, DKK4N-T Series
											DK4-PE
											DKK4-TF, DK4N-TF, DK4N-TFL, DK6N, DK6N-PE, DK6N-TN, DKTD6N, DK6S, PM6N-XXP, SS4N, SS5N, SS11, SS13
											DK10N, DK10N-PE, DK10N-TN, SS6N
											DK10-PE, DK16N, DK16N-PE, DK16H, DK16-PE, DK35N, DK35H, DK35H-PE, DK50, DK50-PE, DK95, DK95-PE, DK150, DK240, DKM Series

Thermal Transfer Printer TMP-004

Order guide

- Dinkle Thermal Transfer Printer TMP-004 includes 11 parts:
 (1) Printer x 1 set / (2) ink ribbon x 30M / (3) Empty ribbon core x 1 pc /
 (4) Ribbon hubs x 1 set (2 pcs) / (5) Label supply hub x 1 set / (6) AC adapter x 1 pc /
 (7) Label guide plates x 1 set (2 pcs) / (8) Label tray holder x 1 pc /
 (9) Power core x 1 pc / (10) USB cable x 1 pc / (11) Cutter x 1 pc (optional)

Features

- Applicable for all Dinkle TM-RXXX SERIES marking labels
- Excellent marking labels exclusively designed by Dinkle
- High printing speed: 50.1mm/sec. (suggested)
- Simple to install and easy to operate
- Connect by USB and Ethernet interfaces

Operation

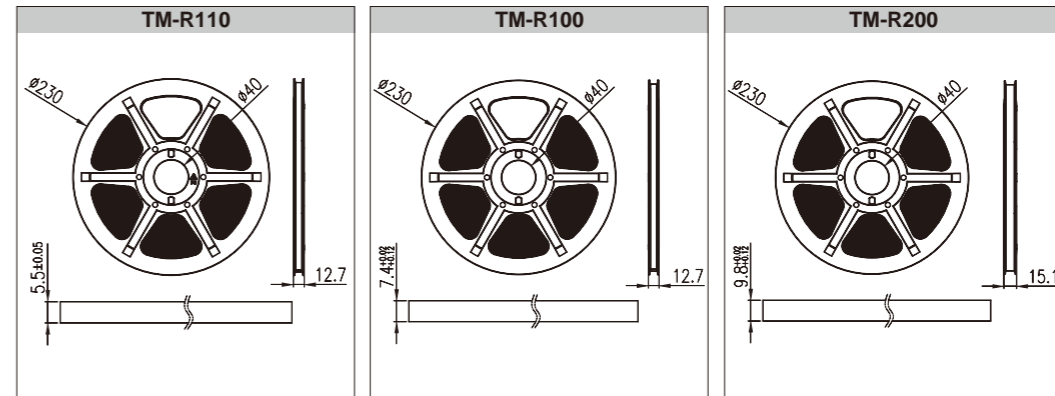
Easy to learn the operation. Please visit Dinkle website to download the instruction manual of TMP-004 Thermal Transfer Printer.



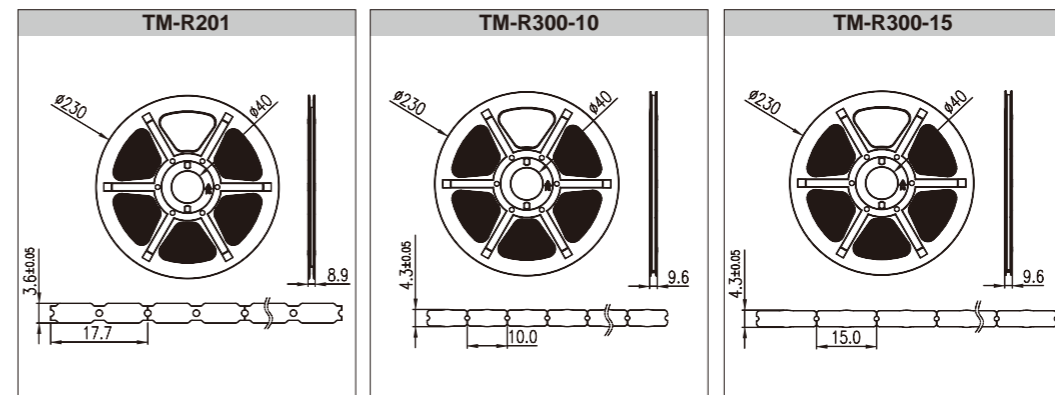
Technical data

Print resolution	300 dpi
Print speed, max	102mm/s max., 50.1mm/s suggested
Print length (max)	1mum 200 mm
Print width (max)	90mm (with cutter: 50mm)
Ink Ribbon	max length 300m ; width 101mm
	outer diameter : 68mm
	Inner diameter : 25.4mm
Interfaces	USB, RS-232, Ethernet 10/100 Mbps
Operating display	100 - 240VAC, 50-60Hz
Dimensions	333mmx171mmx226mm (TxHxW)
	USB 2.0, full speed slave, Ethernet 10/100Base-T,Wifi (option)
	Auto Switching 100-240V AC,50-60Hz
Weight	2.5kg (excluding consumables)

Continuous Flat Marking Labels



Part number	Width (mm)	Length (m)	Color	Pcs / box
TM-R110	5.5	60	White	10
TM-R110-RD	5.5	60	Red	10
TM-R110-BL	5.5	60	Blue	10
TM-R110-YW	5.5	60	Yellow	10
TM-R110-BR	5.5	60	Brown	10
TM-R100	7.4	60	White	10
TM-R100-RD	7.4	60	Red	10
TM-R100-BL	7.4	60	Blue	10
TM-R100-YW	7.4	60	Yellow	10
TM-R100-BR	7.4	60	Brown	10
TM-R200	9.8	60	White	10
TM-R200-RD	9.8	60	Red	10
TM-R200-BL	9.8	60	Blue	10
TM-R200-YW	9.8	60	Yellow	10
TM-R200-BR	9.8	60	Brown	10

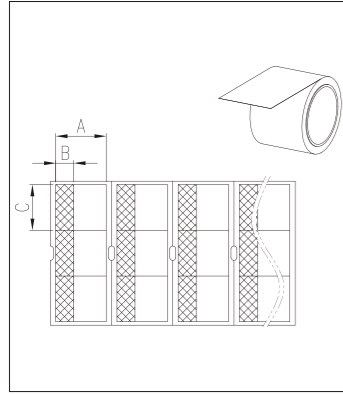


Part number	Compatible Products	Total number of each marking label	Color	Pcs / box
TM-R201	DPD6C-3	2250	White	10
TM-R201-RD	DPD6C-3	2250	Red	10
TM-R201-BL	DPD6C-3	2250	Blue	10
TM-R201-YW	DPD6C-3	2250	Yellow	10
TM-R201-BR	DPD6C-3	2250	Brown	10
TM-R300-10	-	4000	White	10
TM-R300-10-RD	-	4000	Red	10
TM-R300-10-BL	-	4000	Blue	10
TM-R300-10-YW	-	4000	Yellow	10
TM-R300-10-BR	-	4000	Brown	10
TM-R300-15	-	3000	White	10
TM-R300-15-RD	-	3000	Red	10
TM-R300-15-BL	-	3000	Blue	10
TM-R300-15-YW	-	3000	Yellow	10
TM-R300-15-BR	-	3000	Brown	10

TMP-004 Accessories

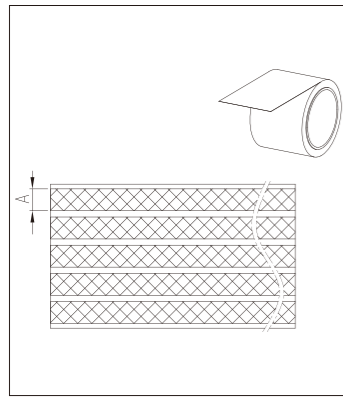
Cutter	Ink ribbon	Empty Ribbon Core	Label Tray Holder
Part number TMPD-01	Part number TMPT-16	Part number TMPT-12	Part number TMPD-02
Pcs / box 1	Width 50 mm	Pcs / box 3	Pcs / box 1
Product Description For cutting off the continuous flat marking labels *Consumables	Product Description Ink ribbon Color : Black Length : 300M *Consumables	Product Description As the other end of recycling printed ribbon *Consumables	Product Description For installation of TM-R series continuous flat marking labels Dimensions: 260x142x222mm (LxWxH) *Consumables
Power Cord	USB Cable	Label	TMPD-03

Self-Adhesive Wire Marking

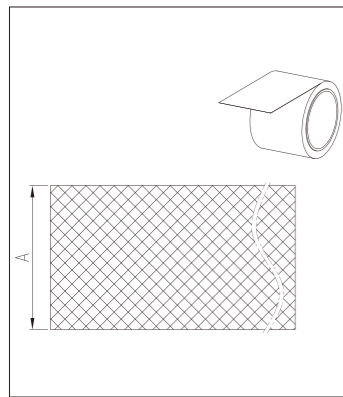


Part number	A (mm)	B (mm)	C (mm)	Outer diameter	Number of individual labels	Pcs / box
DCL-A001	28	10	15	Max. Ø6mm	4000	1
DCL-A002	28	10	25.4	Max. Ø6mm	2400	1
DCL-A003	57	22	25.4	Max. Ø11mm	1350	1
DCL-A004	90	35	38.1	Max. Ø18mm	600	1

Self-Adhesive Continuous Marking Labels

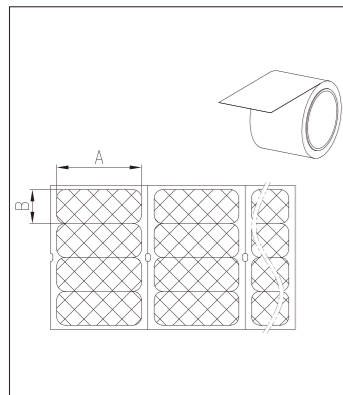


Part number	A (mm)	Number of individual labels per row	Strip length	Color	Pcs / box
TM-A001	2.8	9	25m	White	1
TM-A002	3.8	7	25m	White	1
TM-A003	5	5	25m	White	1
TM-A004	7	5	25m	White	1



Part number	A (mm)	Strip length	Color	Pcs / box
TM-B001	10	20m	White	1
TM-B001-YW	10	20m	Yellow	1
TM-B002	15	20m	White	1
TM-B002-YW	15	20m	Yellow	1
TM-B003	20	20m	White	1
TM-B003-YW	20	20m	Yellow	1
TM-B004	30	20m	White	1
TM-B004-YW	30	20m	Yellow	1
TM-B004-SV	30	20m	Silver	1
TM-B005	46	20m	White	1
TM-B005-YW	46	20m	Yellow	1
TM-B005-SV	46	20m	Silver	1

Self-Adhesive Marking Labels



Part number	A (mm)	B (mm)	Number of individual labels	Color	Pcs / box
TM-C001	6	15	2600	White	1
TM-C001-YW	6	15	2600	Yellow	1
TM-C002	9	15	2000	White	1
TM-C003	6	18	2600	White	1
TM-C004	20	7	2000	White	1
TM-C004-YW	20	7	2000	Yellow	1
TM-C005	20	8	2000	White	1
TM-C006	25	9.5	1280	White	1
TM-C007	20	30	520	White	1
TM-C008	38.1	17	580	White	1

Crimping Machine, Tools & Ferrules



- Newly developed ferrule crimping machine integrates wire cutting, stripping and crimping steps in one stand, suitable for wire size 16AWG (0.75mm²), 14AWG (1.5mm²) and 12AWG (2.5mm²). The automatic crimping machine is easy and fast to operate wiring task, which is a high efficient helper for cost-effective wiring.
- Various hand tools like wire cutter, stripper and crimper are ergonomically designed are all manufactured by high-quality materials, which durable and efficient operation makes wiring convenient.
- The ferrule is a tool to make easy and fast wiring, which can prevent the wire divergence to affect the safety and enlarge the conduct area. The wide range of diameters are suitable for variety application and conforms to DIN, ISO ANSI standards.

Crimping Machine

Order guide

ACM series crimping machine includes:

- (1) Crimping machine x 1 set
- (2) Power core x 1 pc
- (3) Feeder bowl x 1 pc

Part Number	ACM-001	ACM-002	ACM-003
Ferrule specification	20 (AWG) 0.75 (mm ²)	16 (AWG) 1.5 (mm ²)	14 (AWG) 2.5 (mm ²)



Features

- Circle time: 2 seconds
- Square crimping
- Fool-proof design
- Tool free for modular changing

Operation

Easy to learn the operation. Please visit Dinkle website to download the instruction manual of ACM series crimping machine.

Technical data

Part number		ACM-001	ACM-002	ACM-003
Electric Spec.	Voltage range	110~240V	110~240V	110~240V
	Frequency range	50 / 65Hz	50 / 65Hz	50 / 65Hz
	Power consumption	75W	75W	75W
Dimensions	Length (b)	330mm	330mm	330mm
	Width (a)	330mm	330mm	330mm
	Height (c)	330mm	330mm	330mm
	Weight(kg)	25kg	25kg	25kg
Connection	Ferrule compression shape	Square crimping		
	Min. Insertion length (mm)	8mm	8mm	8mm
	Cross section (AWG / mm²)	20 / 0.75	16 / 1.5	14 / 2.5
	Stripping length (mm)	8 / 10*	8 / 10*	8 / 10*
	Production rate	2sec. / pcs	2sec. / pcs	2sec. / pcs
Standards and Regulations	Test standard	DIN 46228-4	DIN 46228-4	DIN 46228-4

*Must replace designated stripping blade for different stripping lengths

Hand Tools



- Specially mechanically designed for maximum crimping force
- Square crimp: Four sets of serrated surfaces used for square crimping to enhance the connection effect
- Cross section : 0.08~10mm² / AWG 28~7
- Self-adjustable to suit the wire size
- Save up to 40% manpower



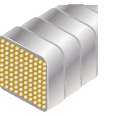
Durability

The spring was made by hardened steel. Durable & flexible



Cost saving

Mechanical design helps labor saving & cost saving.



Cost saving

The crimped wire with ferrule is in a square shape for easy connection.

Screwdrivers

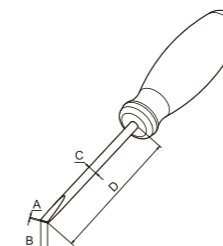
Slotted Screwdriver



➔ Slotted screwdriver



➔ Insulated slotted screwdriver



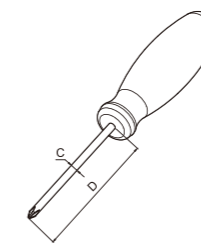
Phillips Screwdriver



➔ Phillips screwdriver



➔ Insulated Phillips screwdriver



Part number	A	B	D	Pcs / box
DNT11-0102	2.5	0.4	75	12
DNT11-0107	3.5	0.6	100	12
DNT11-0109	4.0	0.8	100	12
DNT11-0111	5.5	1.0	150	12

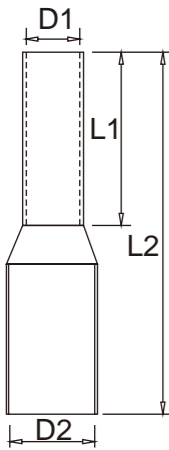
Part number	A	B	D	Pcs / box
DNT11-0301	2.5	0.4	75	12
DNT11-0307	3.5	0.6	100	12
DNT11-0303	4.0	0.8	100	12
DNT11-0304	5.5	1.0	125	12

Part number	C	D	Pcs / box
DNT11-0201	#0 / 3.0	60	12
DNT11-0202	#1 / 5.0	80	12
DNT11-0205	#2 / 6.0	100	12
DNT11-0208	#3 / 8.0	150	6

Part number	C	D	Pcs / box
DNT11-0401	#0 / 3.0	60	12
DNT11-0402	#1 / 5.0	80	12
DNT11-0403	#2 / 6.0	100	12
DNT11-0404	#3 / 8.0	150	6

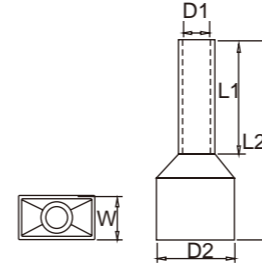
Ferrules For Single Wire

Diameter AWG (mm²)	Part number	Package		Size(mm)				DIN 46228/4 color
		Pcs / bag	Bag / box	D1	D2	L1	L2	
24 (0.25)	DN00206D	1000	10	0.75	1.9	6	10	Light Blue
	8					12		
22 (0.34)	DN00306D	1000	10	0.8	1.9	6	10	Turouise
	8					12		
20 (0.5)	DN00506D	500	10	1.0	2.6	6	12	White
	DN00508D					8	14	
	DN00510D					10	16	
18 (0.75)	DN00706D	500	8	1.2	2.8	6	12	Grey
	DN00708D					8	14	
	DN00710D					10	16	
	DN00712D					12	18	
(1)	DN01006D	500	6	1.4	3.0	6	12	Red
	DN01008D					8	14	
	DN01010D					10	16	
	DN01012D					12	18	
16 (1.5)	DN01508D	500	4	1.7	3.5	8	14	Black
	DN01510D					10	16	
	DN01512D					12	18	
	DN01518D					18	24	
14 (2.5)	DN02508D	500	4	2.2	4.2	8	14	Blue
	DN02510D					10	16	
	DN02512D					12	18	
	DN02518D					18	24	
12 (4)	DN04010D	500	2	2.8	4.8	10	17	Grey
	DN04012D					12	20	
	DN04018D					18	26	
10 (6)	DN06012D	500	1	3.5	6.3	12	20	Yellow
	DN06018D					18	26	
8 (10)	DN10012D	200	1	4.5	7.6	12	22	Red
	DN10018D					18	28	
6 (16)	DN16012D	200	1	5.8	8.8	12	22	Blue
	DN16018D					18	28	
4 (25)	DN25016D	100	1	7.3	11.2	16	30	Yellow
	DN25018D					18	30	
	DN25022D					22	36	
2 (35)	DN35016D	100	1	8.3	12.7	16	30	Red
	DN35018D					18	32	
	DN35025D					25	39	
1 (50)	DN50020D	50	1	10.3	15.0	20	36	Blue
	DN50025D					25	40	
2 / 0 (70)	DN70021D	50	1	13.5	16.0	21	37	Yellow
3 / 0 (95)	DN95025D	50	1	14.7	18.0	25	44	Red
4 / 0 (120)	DN96027D	20	1	16.7	20.0	27	48	Blue
250kcmil (150)	DN97032D	20	1	19.5	23.0	32	58	Yellow



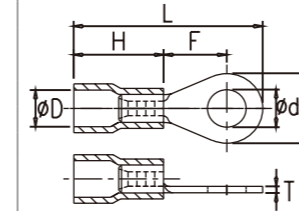
Ferrules For Double Wires

Diameter AWG (mm²)	Part number	Package		Size(mm)				DIN 46228/4 color
		Pcs / bag	Bag / box	D1	W / D2	L1	L2	
2X0.50	DN00508B	500	5	1.5	2.5 / 4.7	8.0	15.0	White
2X0.75	DN00708B	500	5	1.8	2.8 / 5.0	8.0	15.0	Grey
	DN00710B					10.0	17.0	
2X1.00	DN01008B	500	4	2.05	3.4 / 5.4	8.0	15.0	Red
	DN01010B					10.0	17.0	
2X1.50	DN01508B	500	2	2.3	3.6 / 6.6	8.0	16.0	Black
	DN01512B					12.0	20.0	
	DN02510B					10.0	18.5	
2X2.50	DN02513B	500	1	2.8	4.2 / 7.8	13.0	21.5	Blue
2X4.00	DN04012B	200	2	3.7	4.9 / 8.8	12.0	23.0	Grey
2X6.00	DN06014B	200	1	4.8	6.9 / 10.0	14.0	26.0	Yellow
2X10.00	DN10014B	50	2	6.4	7.6 / 12.8	14.0	26.5	Red
2X16.00	DN16014B	50	2	8.3	9.6 / 18.6	14.0	31.5	Blue



Ring Terminals

Diameter AWG (mm²)	Part number	Package		Size(mm)							DIN 46228/4 color
		Pcs / bag	Bag / box	Ød2	B	F	L	H	ØD	T	
22-16 (0.5-1.5)	DNH1-132	1000	1	3.2	5.5	4.75	17.0	9.5	4.0	0.75	Red
	DNH1-137	1000	1	3.7	5.5	4.75	17.0				
	DNH1-137B			3.7	6.6	6.3	19.1				
	DNH1-143	1000	1	4.3	6.6	6.3	19.1				
	DNH1-143B			4.3	8.0	7.0	20.5				
	DNH1-153	1000	1	5.3	8.0	7.0	20.5				
	DNH1-164	200	2	6.4	11.6	9.7	25.0				
	DNH1-184	200	2	8.4	11.6	9.7	25.0				
	DNH1-110	200	1	10.5	14.0	12.0	28.5				
	16-14 (1.5-2.5)	DNH1-232	1000	1	3.2	6.4	4.3				
DNH1-237		1000	1	3.7	6.4	4.3	17.5				
DNH1-237B		500	1	3.7	8.5	7.75	22.0				
DNH1-243		1000	1	4.3	6.6	6.3	19.6				
DNH1-243B		500	1	4.3	8.5	7.75	22.0				
DNH1-253		200	2	5.3	9.5	7.25	22.0				
DNH1-264		200	1	6.4	12.0	11.0	27.0				
DNH1-284		200	1	8.4	12.0	11.0	27.0				
DNH1-210		200	1	10.5	14.0	12.0	29.0				
12-10 (4-6)		DNH1-537	500	1	3.7	7.2	5.9	22.5	13.0	6.8	1.0
	DNH1-543	200	2	4.3	9.5	8.25	26.0				
	DNH1-553	200	2	5.3	9.5	8.25	26.0				
	DNH1-564	200	1	6.4	12.0	10.5	29.5				
	DNH1-584	200	1	8.4	15.0	13.5	34.0				
	DNH1-510	200	1	10.5	15.0	13.5	34.0				



Ferrule Protection Cover

Part number : DN-C01XX

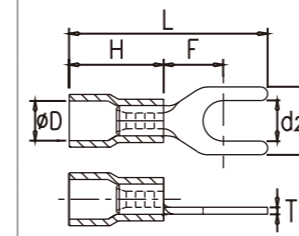
For ferrule types :
DN00506D / DN00508D / DN00510D
(02-22 poles available)

$$V=U+5.1$$

$$U=7.00 \times (P/2-1) \quad (P_{max}=22)$$

Fork Terminals

Diameter AWG (mm²)	Part number	Package		Size(mm)							DIN 46228/4 color
		Pcs / bag	Bag / box	Ød2	B	F	L	H	ØD	T	
22-16 (0.5-1.5)	DNH2-137	1000	1	3.7	5.7	6.5	20.7	9.5	4.0	0.75	Red
	DNH2-137B			3.7	6.4	6.5	20.7				
	DNH2-143	1000	1	4.3	6.4	6.5	20.7				
	DNH2-143B			4.3	7.2	6.5	20.7				
	DNH2-153	500	1	5.3	8.1	6.5	20.7				
	DNH2-164	200	2	6.4	11.0	10.0	25.0				
16-14 (1.5-2.5)	DNH2-237	500	1	3.7	5.7	6.5	21.2	10	4.5	0.8	Blue
	DNH2-237B			3.7	6.4	6.5	21.2				
	DNH2-243	500	1	4.3	6.4	6.5	21.2				
	DNH2-243B			4.3	7.2	6.5	21.2				
	DNH2-253	200	2	5.3	8.1	6.5	21.2				
	DNH2-264	200	2	6.4	11.0	10.0	25.5				
12-10 (4-6)	DNH2-537	200	2	3.7	8.2	7.2	24.7	13	6.8	1.0	Yellow
	DNH2-543			4.3	8.2	7.2	24.7				
	DNH2-553	200	2	5.3	9.0	7.2	24.7				
	DNH2-564	200	1	6.4	12.0	11.0	31.0				



Standard cross section of copper conductors

Conductor cross section (mm ²)	Theoretical Diameter of the largest conductor			
	Metric			AWG / Kcmil
	Rigid		Flexible (mm)	
	Solid (mm)	Stranded, (mm)		
0.2	0.51	0.53	0.61	24
0.34	0.63	0.66	0.8	22
0.5	0.9	1.1	1.1	20
0.75	1.0	1.2	1.3	18
1	1.2	1.4	1.5	-
1.5	1.5	1.7	1.8	16
2.5	1.9	2.2	2.3	14
4	2.4	2.7	2.9	12
6	2.9	3.3	3.9	10
10	3.7	4.2	5.1	8
16	4.6	5.3	6.3	6
25	-	6.6	7.8	4
35	-	7.9	9.2	2
50	-	9.1	11	1/0
70	-	11	13.1	2/0
95	-	12.9	15.1	3/0
-	-	-	-	4/0
120	-	14.5	17	250kcmil

Conductor size(AWG) and rated current(UL 486-486B)

Conductor size (AWG or Kcmil)	Conductor size (mm ²)	Assigned maximum ampere rating (A)
30	0.05	0.5
28	0.08	0.8
26	0.13	1
24	0.20	2
22	0.32	3
20	0.52	5
18	0.82	7
16	1.31	10
14	2.08	15
12	3.31	20
10	5.26	30
8	8.37	50
6	13.3	65
4	21.2	85
3	26.7	100
2	33.6	115
1	42.4	130
1/0	53.5	150
2/0	67.4	175
3/0	85	200
4/0	107	230

Conductor size (Metric) and rated current (IEC 60947-1)

Conductor size (mm ²)	Conductor size (AWG or Kcmil)	Assigned maximum ampere rating (A)
0.05	30	-
0.08	28	-
0.13	26	-
0.20	24	4
0.34	22	5
0.5	20	6
0.75	18	9
1	-	13.5
1.5	16	17.5
2.5	14	24
4	12	32
6	10	41
10	8	57
16	6	76
25	4	101
35	2	125
50	1/0	150
70	2/0	192
95	3/0	232
120	250 Kcmil	269

Index

Part number	Page	Part number	Page	Part number	Page	Part number	Page
01		AK2.5-TR-PE	59	CSC-95XXP	153	DK4-PE	83
0126-11XX	128	AK2.5-TR-TG	69	CSK01-10XX-A	154	DK4S	102
0161-12XXQK01	129	AK2.5-TR-TP	69	CSK01-10XX-B	154	DK50	76
0175L1	74	AK35	50	CSK02-10XX-A	154	DK50-PE	84
0175-T002	74	AK4	49	CSK02-10XX-B	154	DK6N	73
02		AK4-CP	67	CSK11-15XX-A	154	DK6N-PE	79
0207-01XX	32	AK4-PE	55	CSK11-20XX-A	154	DK6N-TN	77
0208-E001	4	AK4-TF(5X20)	70	CSK11-30XX-A	154	DK6S	102
0208-E002	4	AK4-TFLXX(5X20)	70	CSK11-40XX-A	154	DK95	76
0208-E003	4	AK4-TG	67	CSK11-60XX-A	154	DK95-PE	84
0208-E004	4	AK4-TN	51	D		DKB100	121
0208-T001	4	AK4-TN-PE	57	DCL-A001	163	DKB100-XXPCK	139
0208-T002	4	AK4-TP	67	DCL-A002	163	DKB150	121
0208-T003	4	AK4-TR	53	DCL-A003	163	DKB150-XXPCK	139
0208-T004	4	AK4-TR-PE	59	DCL-A004	163	DKB15N	119
0229-M5XXY	129	AK6	50	DK1.5SG	92	DKB15N-XXPCK	137
1		AK6-PE	56	DK1.5SGF	92	DKB200	122
2		AK6-TN	52	DK1.5SGF-PE	92	DKB200-XXPCK	140
2EHDRD-XXP	131	AK6-TN-PE	58	DK10N	74	DKB20N	119
2EHDRDM-XXP	131	AK6-TR	54	DK10N-PE	80	DKB20N-XXPCK	137
2ESDHM-XXPQK01	130	AK6-TR-PE	60	DK10N-TN	78	DKB300	122
2ESDV-XXP	93/131	AKK1.5	61	DK10-PE	83	DKB300-XXPCK	140
2ESDVM-XXP	131	AKK2.5	62	DK10-TF(5X20)	100	DKB30N	120
2ESV-XXP	93/131	AKK2.5-D01	63	DK10-TFA(5X20)	100	DKB30N-XXPCK	138
2ESVM-XXP	131	AKK2.5-D02	64	DK150	76	DKB40N	120
3		AKK2.5-D03	64	DK16H	75	DKB40N-XXPCK	138
3ESDHM-XXPQK01	130	AKK2.5-D04	64	DK16N	74	DKB500	122
A		AKK2.5-PE	62	DK16N-PE	80	DKB500-XXPCK	138
ACM-001	165	AKK2.5-PV	62	DK16-PE	84	DKB60N	120
ACM-002	165	AKK4	62	DK2.5N	73	DKB60N-XXPCK	138
ACM-003	165	AKP-CP	37	DK2.5N-CP	95	DKB80	121
AK1.5-PE	55	AKP-TG	37	DK2.5N-PE	79	DKB80-XXPCK	139
AK1.5-TN	51	AKP-TP	37	DK2.5N-TG	95	DKBB10	119
AK1.5-TN-PE	57	AKSPS-001	150	DK2.5N-TN	77	DKBB10-XXPCK	137
AK1.5-TR	53	AKSPS-002	150	DK2.5N-TN-PE	81	DKBBC10-1000	121
AK1.5-TR-PE	59	AKSPS-003	150	DK2.5N-TP	95	DKBC10-1000	121
AK10	50	AKSPS-004	150	DK2.5N-TR	78	DKBC100-1000	74/121
AK10-PE	56	AKSPS-005	150	DK2.5N-TR-PE	82	DKBC150-1000	74/121
AK10-TN	52	B		DK2.5-PE	83	DKBC200-1000	121
AK10-TN-PE	58	C		DK2.5S	102	DKBC300	121
AK16	50	C002-0101	101	DK240	76	DKBC500	121
AK16-PE	56	CSC-10XXPN	153	DK35H	75	DKBC60-1000	74/121
AK16-TN	52	CSC-150XXP	153	DK35H-PE	84	DKBC60N-1000	119
AK2.5	49	CSC-16XXP	153	DK35N	74	DKD35-P001	28
AK2.5-CP	66	CSC-16XXPN	153	DK4N	73	DKD35-P002	28
AK2.5-PE	55	CSC-2.5XXPN	153	DK4N-CP	96	DKD35-P003	28
AK2.5-TG	66	CSC-2.5XXPS	154	DK4N-PE	79	DKES1.5	93
AK2.5-TN	51	CSC-240XXP	153	DK4N-TF(5X20)	99	DKES1.5M-XXP	93
AK2.5-TN-CP	68	CSC-35XXP	153	DK4N-TFLXX(5X20)	99	DKES1.5-XXP	93
AK2.5-TN-PE	57	CSC-4XXPN	153	DK4N-TG	96	DKK2.5N	85
AK2.5-TN-TG	68	CSC-4XXPS	154	DK4N-TN	77	DKK2.5N-CP	97
AK2.5-TN-TP	68	CSC-50XXP	153	DK4N-TN-PE	81	DKK2.5N-D01	89
AK2.5-TP	66	CSC-6XXP	153	DK4N-TP	96	DKK2.5N-D02	90
AK2.5-TR	53	CSC-6XXPN	153	DK4N-TR	78	DKK2.5N-D03	90
AK2.5-TR-CP	69	CSC-6XXPS	154	DK4N-TR-PE	82	DKK2.5N-D04	90

Index

Part number	Page	Part number	Page	Part number	Page	Part number	Page
DKK2.5N-L2PE	87	DKNSPS-006	101	DN02510B	168	DNH2-137	168
DKK2.5N-PE	87	DKNSPS-007	101	DN02510D	167	DNH2-137B	168
DKK2.5N-PV	86	DKNSPS-008	150	DN02512D	167	DNH2-143	168
DKK2.5N-TG	97	DKNSPS-009	150	DN02513B	168	DNH2-143B	168
DKK2.5N-TP	97	DKNSPS-010	150	DN02518D	167	DNH2-153	168
DKK4N	86	DKU15	117	DN04010D	167	DNH2-164	168
DKK4N-CP	98	DKU20	117	DN04012B	168	DNH2-237	168
DKK4N-L2PE	87	DKU30	118	DN04012D	167	DNH2-237B	168
DKK4N-PE	88	DKU40	118	DN04018D	167	DNH2-243	168
DKK4N-PV	86	DKU60	118	DN06012D	167	DNH2-243B	168
DKK4N-TG	98	DKUP15-XXPK	135	DN06014B	168	DNH2-253	168
DKK4N-TP	98	DKUP20-XXPK	135	DN06018D	167	DNH2-264	168
DKK4-TF(5X20)	99	DKUP30-XXPK	136	DN10012D	167	DNH2-537	168
DKM10	113	DKUP40-XXPK	136	DN10014B	168	DNH2-543	168
DKM12	113	DKUP60-XXPK	136	DN10018D	167	DNH2-553	168
DKM120	106	DKUU20	117	DN16012D	167	DNH2-564	168
DKM120-U	110	DKUUP20-XXPK	135	DN16014B	168	DNT01-2206B	166
DKM150	107	DKTD6N	101	DN16018D	167	DNT01-2210B	166
DKM150-U	111	DKTD6N-KP	101	DN25016D	167	DNT04-2010A	166
DKM185	107	DKZ120	125	DN25018D	167	DNT04-2616A	166
DKM185-U	111	DKZ16	124	DN25022D	167	DNT11-0102	166
DKM240	107	DKZ35	124	DN35016D	167	DNT11-0107	166
DKM240-U	111	DKZ35A	124	DN35018D	167	DNT11-0109	166
DKM25	105	DKZ4	124	DN35025D	167	DNT11-0111	166
DKM25-U	109	DKZ4E	124	DN50020D	167	DNT11-0201	166
DKM35	105	DKZ4E-YG	124	DN50025D	167	DNT11-0202	166
DKM35-U	109	DKZ70A	124	DN70021D	167	DNT11-0205	166
DKM5	112	DKZ70B	125	DN95025D	167	DNT11-0208	166
DKM50	105	DN00206D	167	DN96027D	167	DNT11-0301	166
DKM50-U	109	DN00208D	167	DN97032D	167	DNT11-0303	166
DKM6	112	DN00306D	167	DN-C01XX	167	DNT11-0304	166
DKM70	106	DN00308D	167	DNH1-110	168	DNT11-0307	166
DKM70-U	110	DN00506D	167	DNH1-132	168	DNT11-0401	166
DKM8	112	DN00508B	168	DNH1-137	168	DNT11-0402	166
DKM95	106	DN00508D	167	DNH1-137B	168	DNT11-0403	166
DKM95-U	110	DN00510D	167	DNH1-143	168	DNT11-0404	166
DKMC10/12	113	DN00706D	167	DNH1-143B	168	DNT13-0102	166
DKMC5	113	DN00708B	168	DNH1-153	168	DP1.5N	3
DKMC6	113	DN00708D	167	DNH1-164	168	DP1.5N-PE	9
DKMC8	113	DN00710B	168	DNH1-184	168	DP1.5N-TN	5
DKMC-01	107	DN00710D	167	DNH1-210	168	DP1.5N-TN-PE	11
DKMC-02	107	DN00712D	167	DNH1-232	168	DP1.5N-TR	7
DKMC-03	107	DN01006D	167	DNH1-237	168	DP1.5N-TR-PE	13
DKMC-04	107	DN01008B	168	DNH1-237B	168	DP10	4
DKMDS01-XXP	107	DN01008D	167	DNH1-243	168	DP10-PE	10
DKMDS02-XXP	107	DN01010B	168	DNH1-243B	168	DP10-TN	6
DKMDS03-XXP	107	DN01010D	167	DNH1-253	168	DP10-TN-PE	12
DKMDS04-XXP	107	DN01012D	167	DNH1-264	168	DP16	4
DKMSPS-001	113	DN01508B	168	DNH1-284	168	DP16-PE	10
DKMSPS-002	113	DN01508D	167	DNH1-510	168	DP2.5SGQK01	29
DKNSPS-001	149	DN01510D	167	DNH1-537	168	DP2.5SGQK02	30
DKNSPS-002	149	DN01512B	168	DNH1-543	168	DP2.5SGQK03	30
DKNSPS-003	149	DN01512D	167	DNH1-553	168	DP2.5SGQK04	30
DKNSPS-004	149	DN01518D	167	DNH1-564	168	DP2.5SGQK05	30
DKNSPS-005	150	DN02508D	167	DNH1-584	168	DP2.5N	3

Index

Part number	Page	Part number	Page	Part number	Page	Part number	Page
DP2.5N-3L	16	DPD16-P001	27	DSD02-6/16	151	PM6H-XXP	146
DP2.5N-3L-L3PE	20	DPES2.5	35	DSD03-1.5/2.5	151	PM6N-XXP	145
DP2.5N-3L-PE	22	DPES2.5QK01	33	DSD03-1.5/4	151	PMH	155
DP2.5N-3L-PV	18	DPES2.5QK02	34	DSD03-1.5XX	152	PMM2.5WN-XXP	143
DP2.5N-3L-SPE	20	DPES2.5QK03	34	DSD03-2.5/4	151	PMM2.5WNH1-XXP	143
DP2.5N-PE	9	DPES2.5QK04	34	DSD03-2.5/6	151	PMM2.5WS-XXP	144
DP2.5N-TN	5	DPES2.5QK05	34	DSD03-2.5/10	151	PMM2.5WSA-XXP	144
DP2.5N-TN-PE	11	DPES2.5-PE	35	DSD03-2.5/16	151	Q~R	
DP2.5N-TR	7	DPP1.5N	15	DSD03-4/6	151	S	
DP2.5N-TR-PE	13	DPP1.5N-L2PE	19	DSD03-4/10	151	SS2N	148
DP2.5PG-XXP	35	DPP1.5N-PE	21	DSD03-4/16	151	SS3	148
DP2.5SG	31	DPP1.5N-PV	17	DSD03-6/16	151	SS4N	148
DP2.5SGC	31	DPP2.5N	16	DSD03-M1XXX	26	SS5N	148
DP2.5SGC-PE	31	DPP2.5N-D01	23	DSH1	125	SS6N	148
DP2.5SGR	32	DPP2.5N-D02	24	DSH2	125	SS7N	148
DP2.5SGRC-PE	32	DPP2.5N-D03	24	DSHG	125	SS9A	148
DP2.5SGRT	32	DPP2.5N-D04	24	DSS10N-XXP	152	SS9B	148
DP2.5SGT	31	DPP2.5N-L2PE	19	DSS2.5N-XXP	152	SS9C	148
DP2.5-CP	37	DPP2.5N-PE	21	DSS2.5N-6688-XXP	153	SS11	148
DP2.5-TG	37	DPP2.5N-PV	17	DSS4N-XXP	152	SS13	148
DP2.5-TP	37	DPP2.5-CP	39	DSS6N-XXP	152	T	
DP4N	3	DPP2.5-TG	39	DSS16N-02PN	153	TM-A001	154
DP4N-PE	9	DPP2.5-TP	39	DSS35N-02PN	153	TM-A002	154
DP4N-TFU	43	DPP4N	16	DS-204	154	TM-A003	154
DP4N-TFULXX	43	DPP4N-L2PE	19	E		TM-A004	154
DP4N-TFU(5X20)	44	DPP4N-PE	21	ECSH116VM-XXPQK01	130	TM-B001	154
DP4N-TFULXX(5X20)	44	DPP4N-PV	17	ECSH381VM-XXQK01	130	TM-B001-YW	154
DP4N-TN	5	DPTD6N	45	F		TM-B002	154
DP4N-TN-PE	11	DPTD6N-D05	46	FUK1A-01	155	TM-B002-YW	154
DP4N-TR	7	DPTD6N-D06	46	FUK2A-01	155	TM-B003	154
DP4N-TR-PE	13	DPTL6N	45	FUK6.3A-01	155	TM-B003-YW	154
DP4-3L-SPE	20	DP-FU(5X20)	44	FUK1A-02	155	TM-B004	154
DP4-CP	38	DP-PR	35	FUK2A-02	155	TM-B004-YW	154
DP4-TF(5X20)	41	DP-PZ-02P	35	FUK6.3A-02	155	TM-B004-SV	154
DP4-TFH(5X20)	42	DP-PZ-04P	35	G~L		TM-B005	154
DP4-TFHLXX(5X20)	42	DS16-XXP	152	M		TM-B005-YW	154
DP4-TFLXX(5X20)	41	DS2.5-XXP	152	MKG-001	149	TM-B005-SV	163
DP4-TG	38	DS35-XXP	152	MKG-002	149	TM-C001	163
DP4-TP	38	DS6B01-XX	101	MKG-003	149	TM-C001-YW	163
DP6N	4	DS6B02-XX	101	MKG-004	149	TM-C002	163
DP6N-PE	10	DS6S4	101	MKH-001	149	TM-C003	163
DP6N-TN	6	DSD01-1.5XXN	152	MKH-002	149	TM-C004	163
DP6N-TN-PE	12	DSD01-10XXN	152	MKL	149	TM-C004-YW	163
DP6N-TR	8	DSD01-16XXN	152	MKL-001	149	TM-C005	163
DP6N-TR-PE	14	DSD01-2.5XXN	152	MKW	149	TM-C006	163
DP6-TF(6.3X32)	41	DSD01-3502N	152	N~O		TM-C007	163
DP6-TFLXX(6.3X32)	42	DSD01-4XXN	152	P		TM-C008	163
DPD03-M1XX	26	DSD01-6XXN	152	PM10-XXP	146	TM41W	159
DPD6C	25	DSD02-1.580	92	PM16H-XXP	146	TM42W	159
DPD6C-38	25	DSD02-2.5/6	151	PM2.5N-XXP	145	TM43W	159
DPD6C-83	25	DSD02-2.5/10	151	PM2.5WN-XXP	143	TM44W	159
DPD6-P001	26	DSD02-2.5/16	151	PM2.5WNH1-XXP	143	TM45W	159
DPD6-P002	26	DSD02-4/6	151	PM2.5WS-XXP	144	TM46W	159
DPD10-P001	27	DSD02-4/10	151	PM2.5WSA-XXP	144	TM47W	159
DPD10-P002	27	DSD02-4/16	151	PM4N-XXP	145	TM48W	159

