



BEL products are everywhere...



Committed to Quality and Customer Satisfaction

Since 1964, **BEL Products Inc.** has provided electrical wholesalers and contractors with top quality electrical enclosures and accessories at the most competitive prices, shortest delivery time and qualified after sales service.

By relying on a fully trained and dedicated personnel, the latest 3-D CAD / CAM technology, numerically controlled punching equipment and precision robotic welders, we can always meet the specific needs of our clients.

ABB, B.C. Hydro, Chrysler, CN, Cutler-Hammer, Domtar, Ford, GE, GEC Alstom, GM, Hydro Quebec, IBM, Kraft Foods, Ontario Hydro, Schneider and Westinghouse all depend on the dedication and professionalism of **BEL Products Inc.**



Commercial

EUKO Series	05	FT Series	15	AMC Series	27
DUKO / DKO & D Series	06	FB..SS/FT..SS Series	16	MC Series	29
DUKO-Ring Series	07	SBT & SBB Series	17	C-UG Series	31
DB Series	08	BG Series	18	CR and MC-HQ Series	33
CKO / C Series	09	B..LD Series	20	GT Series	35
EL Series	10	TCS and TCF Series	22	VE Series	36
T and B Series	11	DWPF Series	24		
FB and FT Series	13	BPS and VFB Series	25		
FB Series	14	VFB Series	26		

Industrial

K Series	39	R...SS Series	49	PB Series	58
L Series	40	HD / HDM Series	50	PBM Series	59
S Series	41	HD..F/HDM..F Series	52	BB..LD Series	60
S..AI / S..SS Series	45	FRS Series	54		
R Series	46	COTS Series	56		
R...AI Series	48	PE Series	57		

Custom

Custom Enclosures	65
-------------------	----

Accessories

Spare Inner Panels for MC, K	71	Swing Out Panel Kits for R Enclosures	79
Spare Inner Panels for S and R Enclosures	72	Drip Shields Kits	80
Panels for HD and FRS Enclosures	73	Vent Plates, Air Filters Kits	80
Window Kits, Mounting Feet Kits	74	Grounding Kits	81
Special Handles	75	Polyester Insulators	82
Three-Point Lock	76		
Mounting Hardware	78		

General

Powder Textured Polyester Coating	85	NEMA, UL, CSA Designations	88
Chemical Resistance Chart	86	Sales Offices, Warehouse & Plants	89
Stainless Steel (Austenite) finishes	87		

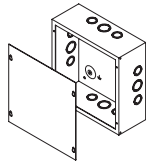
U.S. Market

EUKO Series	93	AT Series	95	B...LDUS Series	97
DUKO / DKO & D Series	94	WE Series	96	SW Series	99

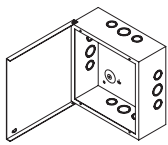


Commercial

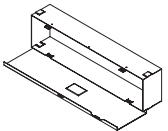
NEMA / EEMAC Types 1 and 3R



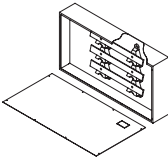
◇ Junction Boxes



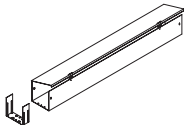
◇ Cutout Boxes



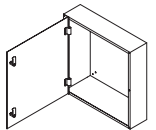
◇ Splitter Troughs



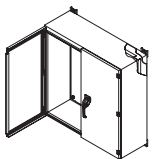
◇ Busbars



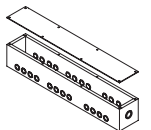
◇ Wireways



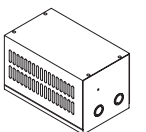
◇ Telephone Cabinets



◇ Metering Cabinets



◇ Gutter Troughs



◇ Ventilated Enclosures

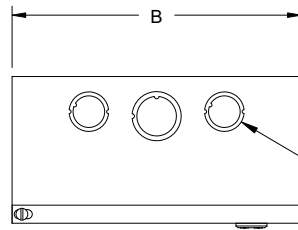
“Committed to Quality and Customer Satisfaction Since 1964”





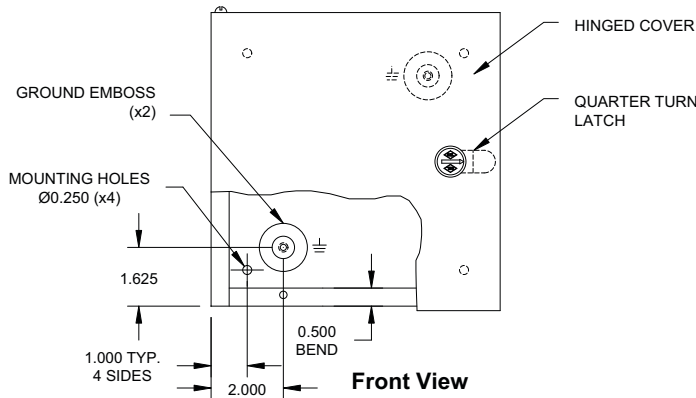
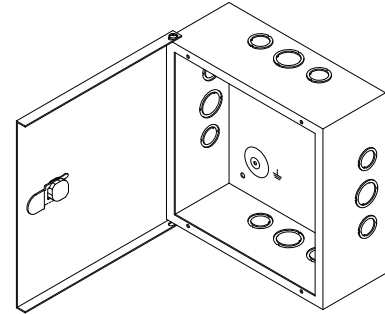
EUKO Series

EEMAC / NEMA 1 Hinged Cover Cutout Boxes

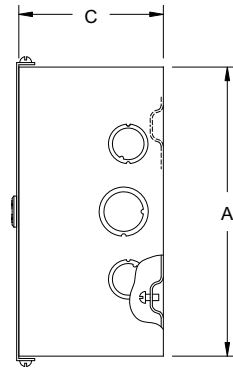


Top View

STANDARD KOD'S
SEE TABLE FOR
QTY. & SIZES



Front View



Side View

TECHNICAL READOUT

Catalog No.	Dimensions (box)			Knockouts		Weight lbs.
	A	B	C	Sides	Top & bottom	
EUKO663	6	6	3	1a, 1b	2a	3
EUKO664	6	6	4	2a, 1b	2a	4
EUKO884	8	8	4	2a, 1b	2a, 1b	5
EUKO10104	10	10	4	2a, 1b	2a, 1b	7
EUKO12124	12	12	4	2a, 1b	2a, 1b	9
EUKO886	8	8	6	2a, 1b	2a, 1b	6
EUKO10106	10	10	6	2a, 1b	2a, 1b	8
EUKO12126	12	12	6	2a, 1b	2a, 1b	10
EUKO16166	16	16	6	2a, 3b	2a, 3b	15
EUKO18186	18	18	6	2a, 3b	2a, 3b	20

Knockouts (Conduit Size): a = 1/2" - 3/4" • b = 3/4" - 1"

Note: This product is a universal enclosure. It can be used with either a hinged or a screw-on cover.

Application:

Type 1 surface mounted box generally used as a junction, pull, switch or general service box. Hinged cover may be changed to a screw cover. (DUKO/DKO & D series)

Construction:

- 16 gauge steel
- Pre-punched holes to accommodate screw-hinged cover
- Easily removable knockouts on all sides
- Mounting holes on back
- Two grounding emboss & grounding screw
- ANSI/ASA61 grey polyester textured powder coating inside out

Also Available:

- Aluminium and stainless steel
- Tamper proof screw
- Cutouts, louvers and hubs
- Screw cover

Standards:

- CSA certified 150359
- UL listed E109311

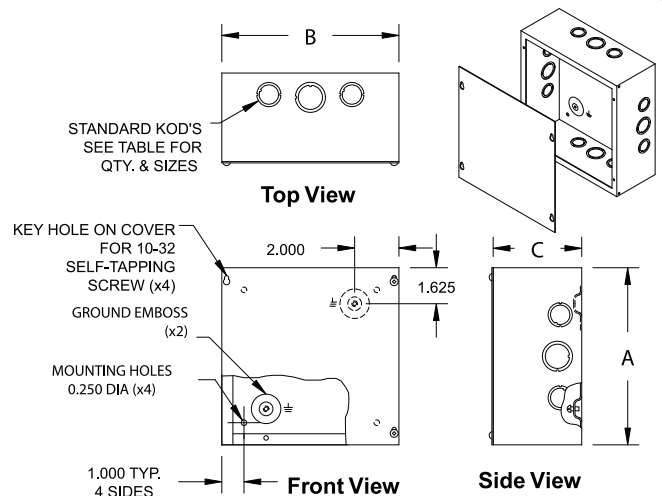


TECHNICAL READOUT

Catalog No.	Dimensions (box)			Knockouts		Weight lbs.
	A	B	C	Sides	Top & bottom	
DUKO663	6	6	3	1a/1b	2a	3
DUKO664	6	6	4	2a/1b	2a	4
DUKO884	8	8	4	2a/1b	2a/1b	5
DUKO10104	10	10	4	2a/1b	2a/1b	7
DUKO12124	12	12	4	2a/1b	2a/1b	9
DUKO886	8	8	6	2a/1b	2a/1b	6
DUKO10106	10	10	6	2a/1b	2a/1b	8
DUKO12126	12	12	6	2a/1b	2a/1b	10
DUKO16166	16	16	6	2a/3b	2a/3b	15
DUKO18186	18	18	6	2a/3b	2a/3b	20
DKO24246	24	24	6	2a/3b	2a/3b	40
DKO30246	30	24	6	3a/4b	2a/3b	52
D30246				No Ko's		
DKO16168	16	16	8	2a/3b	2a/3b	18
D16168				No Ko's		
DKO24248	24	24	8	2a/3b	2a/3b	42
D24248				No Ko's		
DKO202010	20	20	10	2a/3b	2a/3b	39
D202010				No Ko's		
DKO242410	24	24	10	2a/3b	2a/3b	50
D242410				No Ko's		
DKO302010	30	20	10	3a/4b	2a/3b	52
D302010				No Ko's		
DKO303010	30	30	10	3a/4b	3a/4b	69
D303010				No Ko's		
DKO362410	36	24	10	4a/5b	2a/3b	67
D362410				No Ko's		

Knockouts (Conduit Size): a = 1/2" - 3/4" • b = 3/4" - 1"

Note: This product is a universal enclosure. It can be used with either a hinged or a screw-on cover.



Application:

Type 1 surface or flush mounted on request enclosure generally used as a junction, pull box, switch box or general service box. Screw-on cover may be switched for a hinged cover (standard on EUKO model).

Construction:

- 16 gauge steel
- Pre-punched side holes to accommodate screw-hinged cover
- With knockouts (DUKO/DKO) or without (D)
- Mounting holes on back
- Two grounding emboss on sizes up to and including 24246; pre-punched grounding holes on larger sizes
- Grounding screw provided with each model
- ANSI/ASA61 grey polyester textured powder coating inside out
- Specify "F" for flush mounting (i.e. DFUKO663)

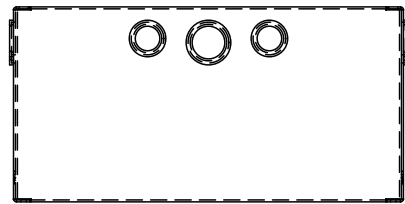
Also Available:

- Flush cover with 3/4" lip
- Aluminium and stainless steel
- Tamper proof screw
- Cutouts, louvers, additional knockouts
- Special finishes & sizes
- Hinged cover

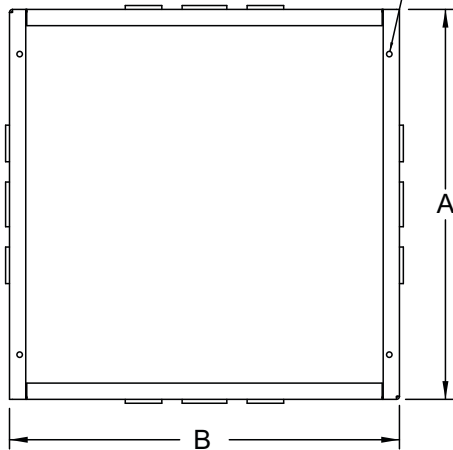
Standards:

- CSA certified 150359
- UL listed E109311

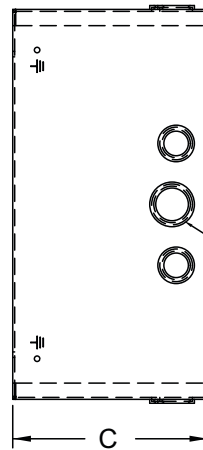
BEL DUKO-RING Series



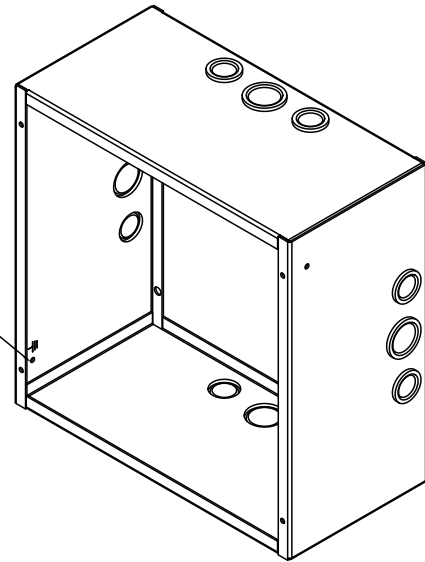
TOP & BOTTOM VIEW



FRONT VIEW



SIDE VIEW



Ø 0.169 NEAR SIDE
0.312 DIA. FAR SIDE

GROUND HOLE
C/W SYMBOL (x2)

STANDARD KOD'S
SEE TABLE FOR
QTY. & SIZES

TECHNICAL READOUT

Catalog No.	Dimensions			Knockouts		Weight lbs.
	H	W	D	Sides	Top & bottom	
DUKO664-RING	6	6	4	2a, 1b	2a	3
DUKO884-RING	8	8	4	2a, 1b	2a, 1b	3
DUKO10104-RING	10	10	4	2a, 1b	2a, 1b	4
DUKO12124-RING	12	12	4	2a, 1b	2a, 1b	4
DUKO12126-RING	12	12	6	2a, 1b	2a, 1b	5
DUKO16166-RING	16	16	6	2a, 3b	2a, 3b	6

Knockouts (Conduit Size): a = 1/2" - 3/4" • b = 3/4" - 1"

Cover sold separately

Application:

Extension for screw cover box and/or concrete direct burial junction box

Construction:

- 16 gauge steel
- When installed on top of an existing box, the extension will increase the usable connection space
- Grounding screws provided
- ANSI/ASA61 grey polyester textured coating inside out
- Cover sold separately

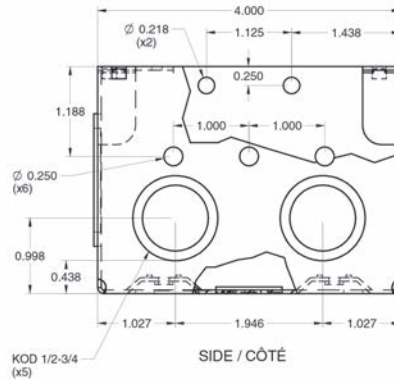
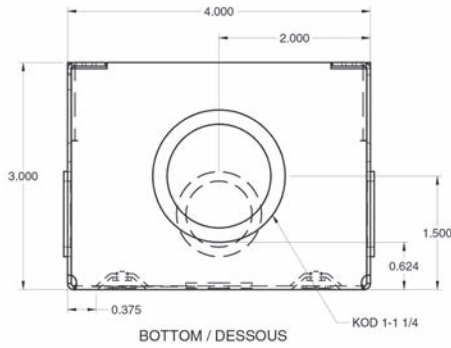
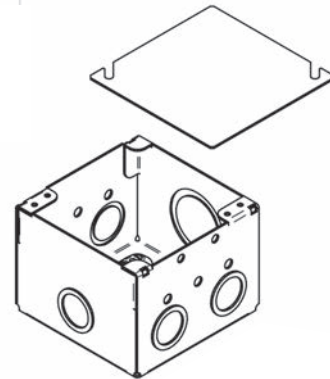
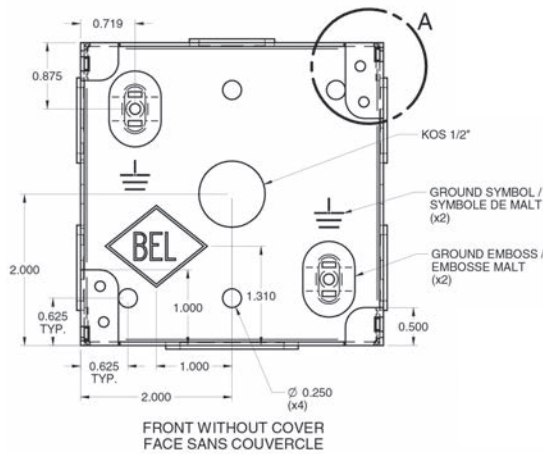
Also Available:

- Aluminium and stainless steel
- Special finishes



DB Series

EEMAC / NEMA 1 Screw Cover Boxes



Catalog No.	Dimensions (box)			Weight lbs
	H	W	D	
DB443	4	4	3	1

Application:

Type 1, small utility junction box with screw cover

Construction:

- 18 gauge galvanized steel, natural finish
- With knockouts (DUKO/DKO) or without (D)
- Mounting holes on back
- 2 grounding emboss
- Grounding screw 8-32 installed
- D Series

Standards:

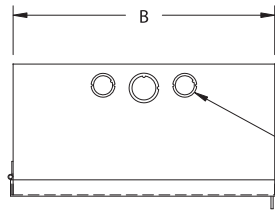
- CSA certified 150359
- UL listed E109311





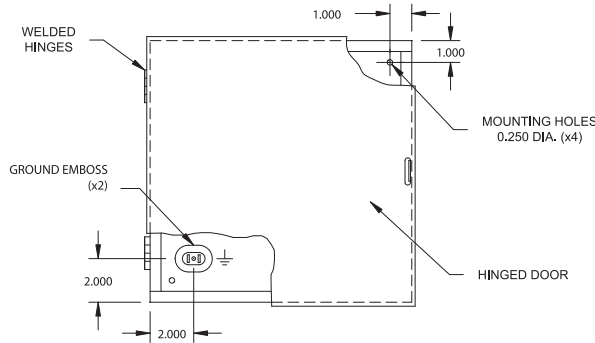
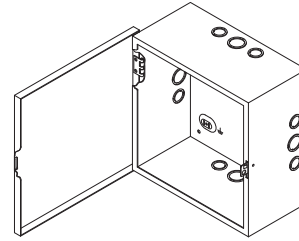
CKO / C Series

EEMAC / NEMA 1 Hinged Door Boxes

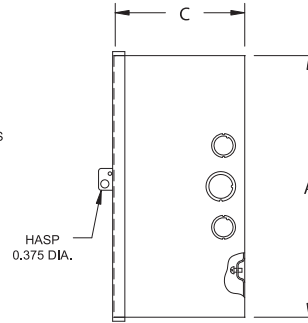


Top View

OPTIONAL KOD'S
SEE TABLE FOR
QTY. & SIZES



Front View



Side View

TECHNICAL READOUT

Catalog No.	Dimensions (box)			Knockouts		Weight lbs.
	A	B	C	Sides	Top & bottom	
SINGLE DOOR						
CKO12126 C12126	12	12	6	2a/1b No Ko's	2a/1b	11.5
CKO18126 C18126	18	12	6	2a/3b No Ko's	2a/1b	15
CKO24126 C24126	24	12	6	2a/3b No Ko's	2a/3b	19
CKO16166 C16166	16	16	6	2a/3b No Ko's	2a/3b	17
CKO18186 C18186	18	18	6	2a/3b No Ko's	2a/3b	22
CKO20206 C20206	20	20	6	2a/3b No Ko's	2a/3b	32
CKO24246 C24246	24	24	6	2a/3b No Ko's	2a/3b	41
C202010	20	20	10	No Ko's		40
DOUBLE DOOR						
C303012	30	30	12	No Ko's		62
C363612	36	36	12	No Ko's		81
C484812	48	48	12	No Ko's		132

Knockouts (Conduit Size): a = 1/2" - 3/4" • b = 3/4" - 1"

Application:

Type 1 surface mounted enclosure generally used as a junction or pull box, switch box or general service box.

Construction:

- 16 or 14 gauge steel
- With easily removable knockouts (CKO) or without (C)
- Mounting holes on back
- Steel butt hinges
- Retractable sealing hasp
- Grounding emboss on 12126; grounding hole on larger sizes grounding screw provided with each size
- ANSI/ASA61 grey polyester textured powder coating inside out

Also Available:

- Aluminium and stainless steel
- Cutouts, louvers, additional knockouts
- Tamper proof screw
- Special finishes & sizes

Standards:

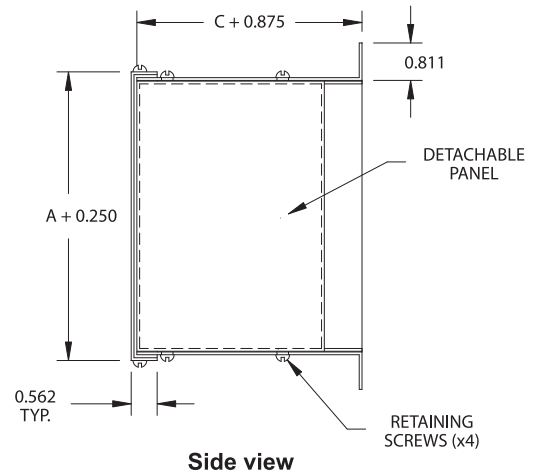
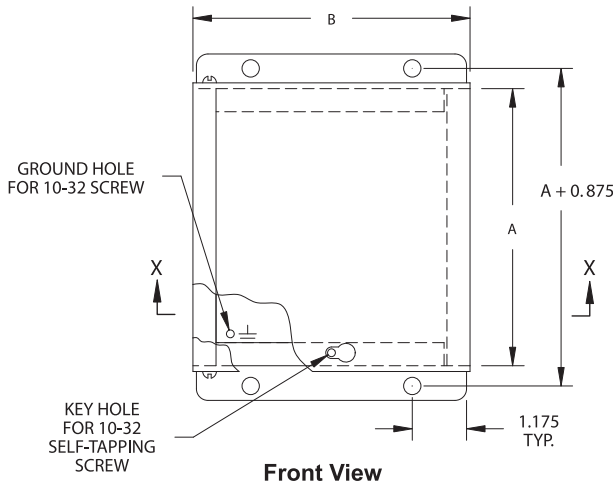
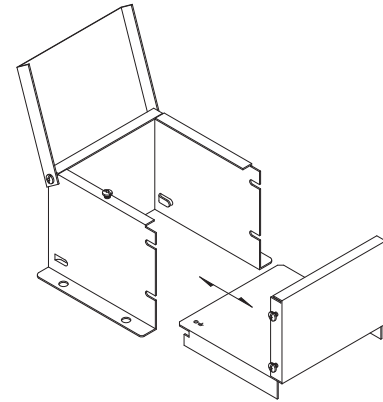
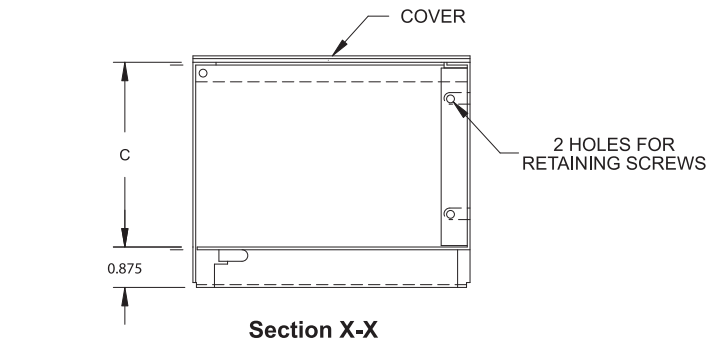
- CSA certified 150359
- UL listed E109311





EL Series

EEMAC / NEMA 1 General Purpose Box



Application:

Type 1 enclosure used for various industrial applications. A small enclosure with BIG potential!

Construction:

- 16 gauge steel
- Pre-punched side holes to accommodate screw-hinged cover
- Grounding screw provided with each model
- Punched in ground symbol
- All zinc plated assembly screws provided
- ANSI/ASA61 grey polyester textured powder coating inside out

Also Available:

- Cutouts, louvers, knockouts
- Special finishes & sizes

Standards:

- CSA certified 150359
- UL listed E109311

TECHNICAL READOUT

Catalog No.	Dimensions			Weight lbs.
	A	B	C	
EL664	6	6	4	4
EL884	8	8	4	5
EL10104	10	10	4	7
EL12124	12	12	4	9
EL12126	12	12	6	10



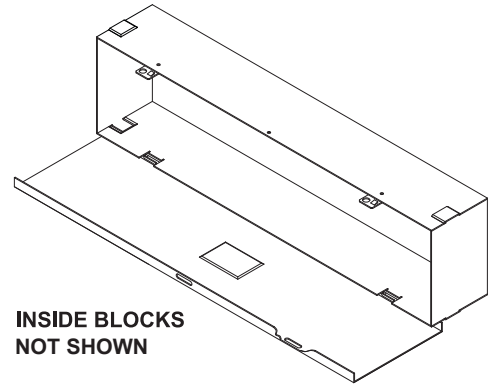


TECHNICAL READOUT

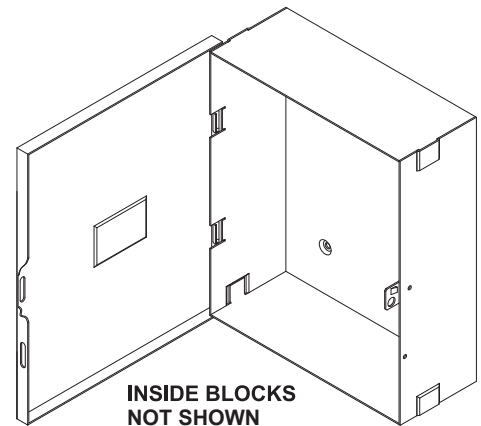
Catalog No.		Grounding Kit (Optional)	Amps	Dimensions			Weight lbs.
SplitterTroughs	3 wires			4wires	A	B	
T273	T274	TGR200	70	24	6	4	12
T373	T374	TGR200	70	36	6	4	17
T473	T474	TGR200	70	48	6	4	21
T2103	T2104	TGR200	125	24	6	4	12
T3103	T3104	TGR200	125	36	6	4	17
T4103	T4104	TGR200	125	48	6	4	21
T6103	T6104	TGR200	125	72	8	5	39
T2203		TGR200	225	24	8	5	16
T3203	T3204	TGR200	225	36	8	5	22
T4203	T4204	TGR200	225	48	8	5	27
T5203	T5204	TGR200	225	60	8	5	33
T6203	T6204	TGR200	225	72	8	5	39
T3403		TGR400	400	36	10	6	35
T4403	T4404	TGR400	400	48	10	6	45
T5403	T5404	TGR400	400	60	10	6	58
T6403	T6404	TGR400	400	72	10	6	62
T4603	T4604	TGR600	600	48	10	6	45
T5603	T5604	TGR600	600	60	10	6	58
T6603	T6604	TGR600	600	72	10	6	62

Splitter Boxes

B73	B74	BGR200	70	12	10	4	9
B103	B104	BGR200	125	12	10	4	9
B203	B204	BGR200	225	18	12	5	16
B403	B404	BGR400	400	24	17	6	37
B603	B604	BGR600	600	30	24	7	63



INSIDE BLOCKS NOT SHOWN



INSIDE BLOCKS NOT SHOWN

Application:

Type 1 enclosure designed for indoor distribution (600V maximum, Cu-Al).

Construction:

- 16 gauge steel
- Factory installed splitter blocks
- Retractable sealing hasp
- ANSI/ASA61 grey polyester textured powder coating inside out

Also Available:

- Grounding kit
- Aluminium and stainless steel
- Special finishes & sizes
- With gasketed cover
- Splitter blocks can be sold separately, SBT & SBB series

Standards:

- CSA certified 150359

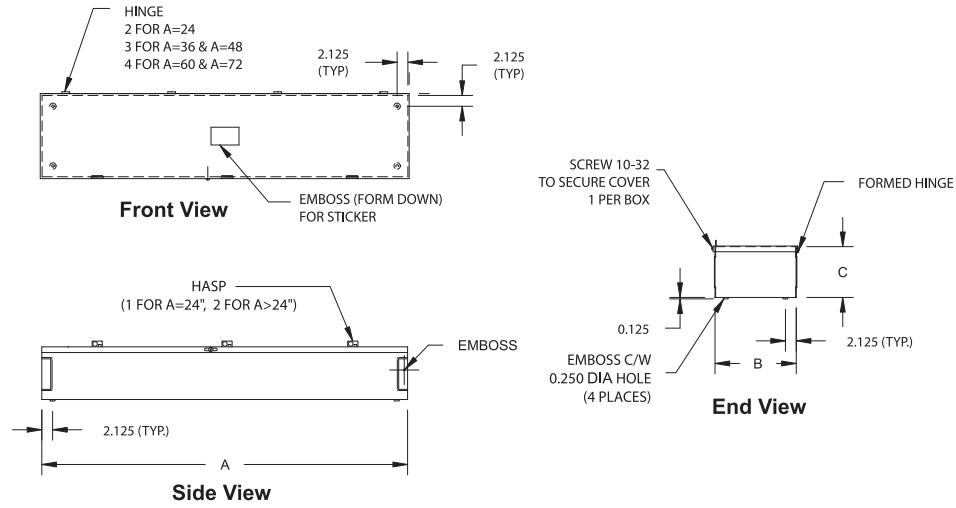




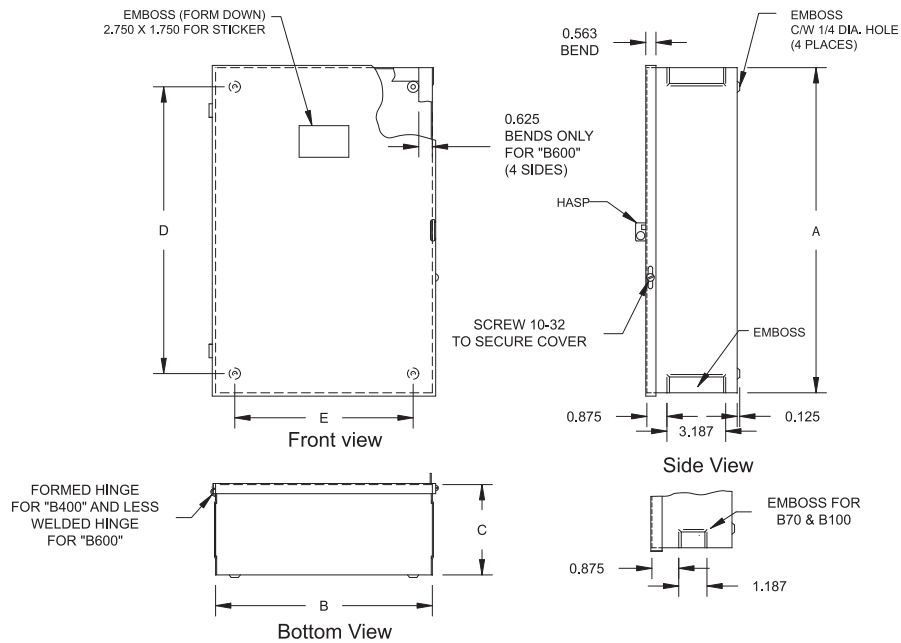
T and B Series

EEMAC / NEMA 1 Splitter Troughs, Boxes

T Series



B Series



TECHNICAL READOUT

Catalog No.	D	E
B70	7.750	5.750
B100	7.750	5.570
B200	13.750	7.750
B400	19.750	12.750
B600	28.000	22.500

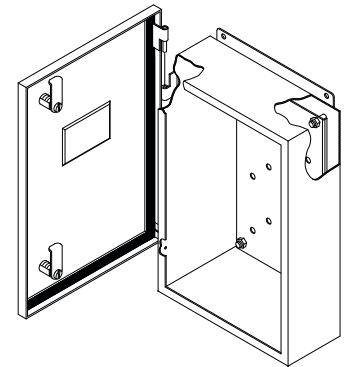


TECHNICAL READOUT

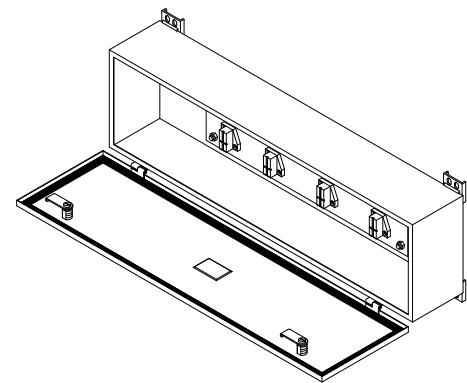
Catalog No.		Grounding Kit (Optional)	Enclosure			Amps	Weight lbs.
3 wires	4wires		A	B	C		
FT273	FT274	TGR200	24	6	5	70	17
FT373	FT374	TGR200	36	6	5	70	23
FT473	FT474	TGR200	48	6	5	70	28
FT2103	FT2104	TGR200	24	6	5	125	17
FT3103	FT3104	TGR200	36	6	5	125	23
FT4103	FT4104	TGR200	48	6	5	125	28
FT6103	FT6104	TGR200	72	10	6	125	75
FT2203		TGR200	24	8	5	225	21
FT3203	FT3204	TGR200	36	10	6	225	43
FT4203	FT4204	TGR200	48	10	6	225	55
FT5203	FT5204	TGR200	60	10	6	225	64
FT6203	FT6204	TGR200	72	10	6	225	75
FT3403		TGR400	36	10	6	400	43
FT4403	FT4404	TGR400	48	10	6	400	55
FT5403	FT5404	TGR400	60	10	6	400	64
FT6403	FT6404	TGR400	72	10	6	400	75
FT4603	FT4604	TGR600	48	10	6	600	55
FT5603	FT5604	TGR600	60	10	6	600	64
FT6603	FT6604	TGR600	72	10	6	600	75

Splitter Boxes

FB73	FB74	BGR200	12	10	5	70	11
FB103	FB104	BGR200	12	10	5	125	11
FB203	FB204	BGR200	18	12	5	225	23
FB403	FB404	BGR400	24	17	6	400	47
FB603	FB604	BGR600	30	24	7	600	37



INSIDE BLOCKS NOT SHOWN



Application:

Type 4,12 enclosure designed for indoor/outdoor distribution (600V maximum, Cu-Al).

Construction:

- 16 gauge steel
- Factory installed splitter blocks on 14 gauge mounting panel
- Seamless poured in place gasketed cover secured with 1/4 turn latches
- Continuously welded & ground smooth seams
- ANSI/ASA61 grey polyester textured powder coating inside out

Also Available:

- Grounding kit
- Aluminium and stainless steel
- Special finishes & sizes
- Without gasket

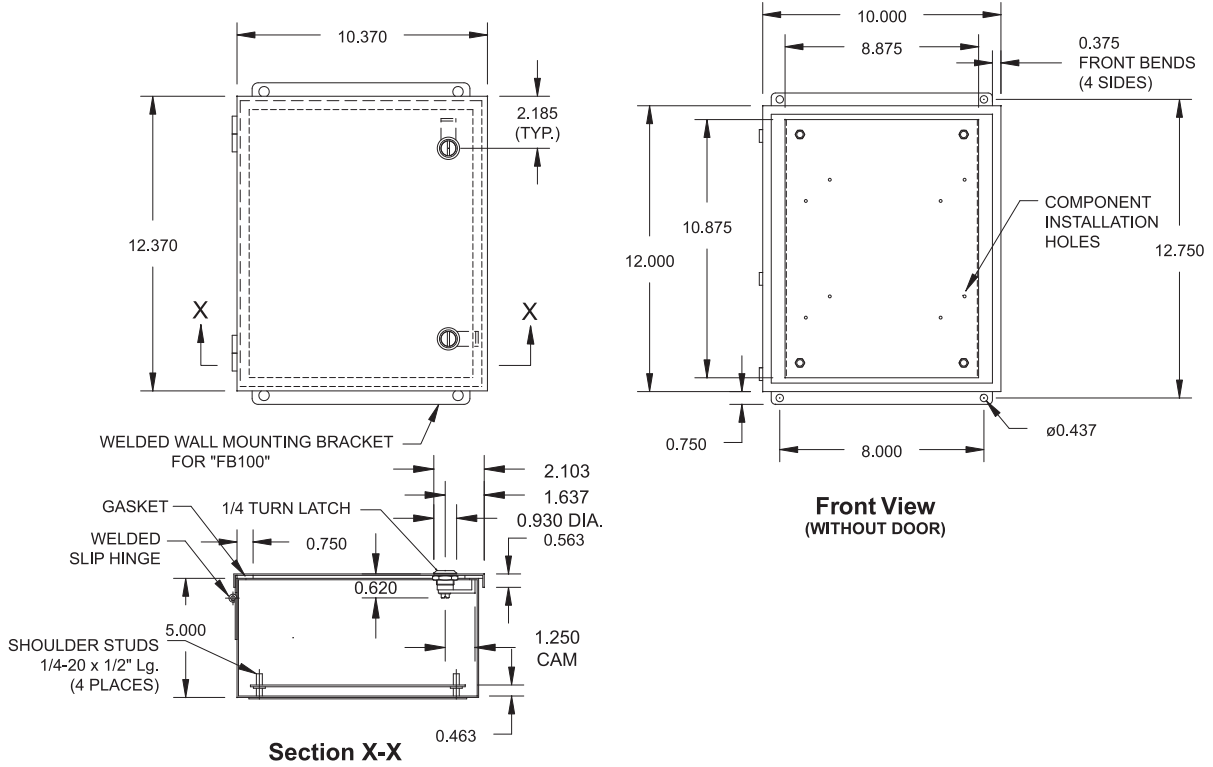
Standards:

- CSA certified 150359

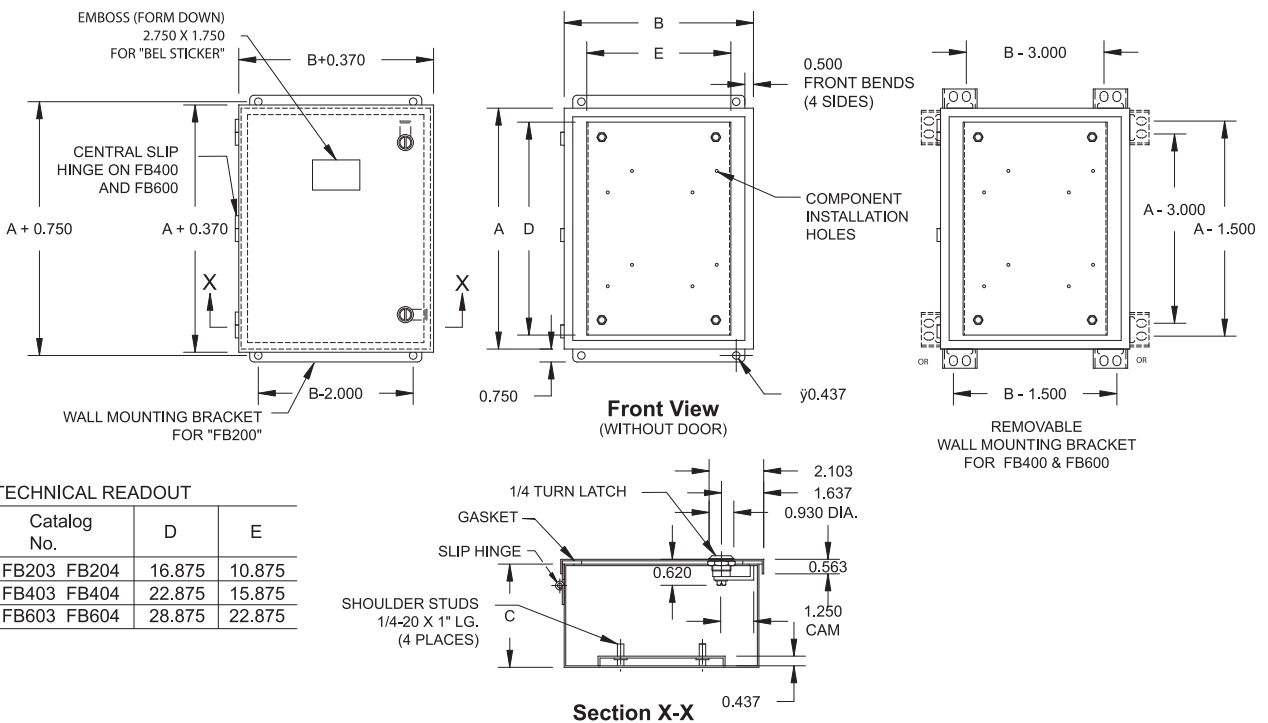




Model FB70 and FB100



Model FB200, FB400 and FB600



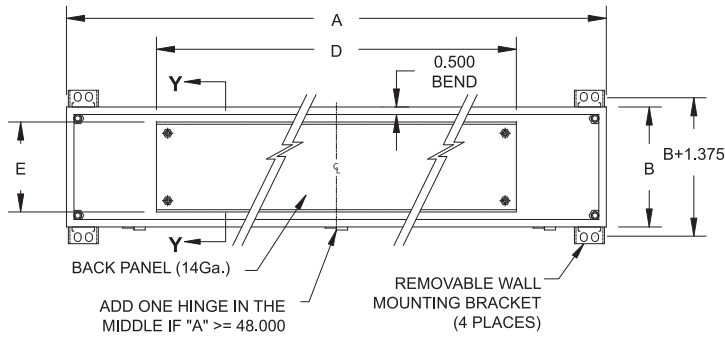
TECHNICAL READOUT

Catalog No.	D	E
FB203 FB204	16.875	10.875
FB403 FB404	22.875	15.875
FB603 FB604	28.875	22.875

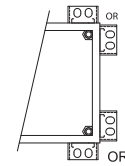


FT Series

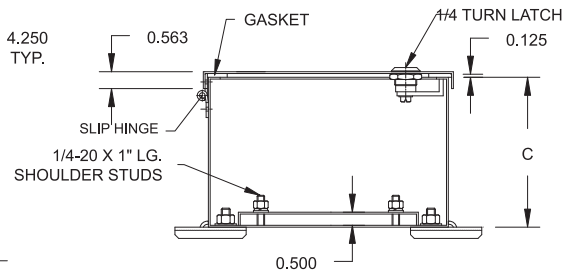
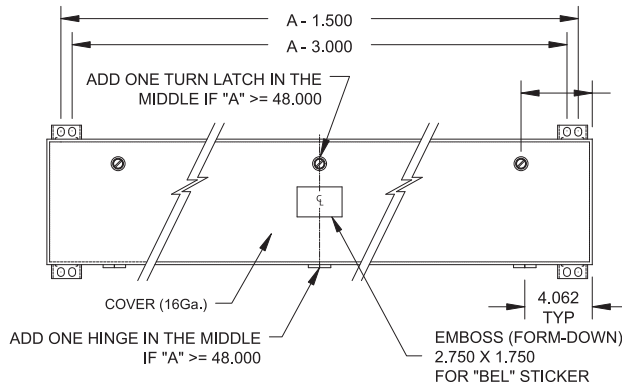
EEMAC / NEMA 4, 12 Splitter Troughs



Front View
(WITHOUT DOOR)

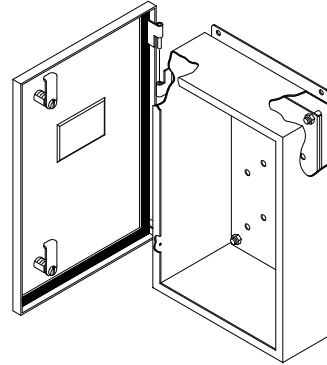
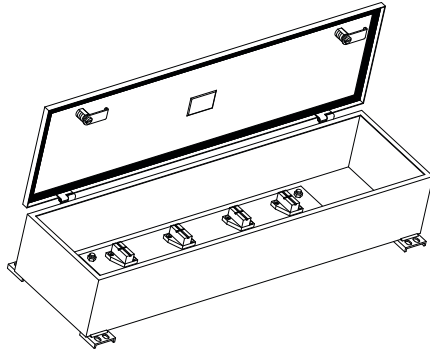


REMOVABLE WALL MOUNTING BRACKET



Section Y-Y

Catalog No.	A	B	C	D	E
FT270 & FT2100	24	6	5	18	4
FT370 & FT3100	36	6	5	20.75	4
FT470 & FT4100	48	6	5	25.625	4
FT2200	24	8	5	18	6
FT3200 & FT3400	36	10	6	24	8
FT4200	48	10	6	36	8
FT4400	48	10	6	36	8
FT4600	48	10	6	36	8
FT5200	60	10	6	35.375	8
FT5400	60	10	6	35.375	8
FT5600	60	10	6	35.375	8
FT6100	72	10	6	35.375	8
FT6200	72	10	6	35.375	8
FT6400	72	10	6	35.375	8
FT6600	72	10	6	35.375	8



TECHNICAL READOUT

Catalog No. Splitter troughs		Grounding Kit (Optional)	Dimensions			Amps	Weight lbs.
3 wires	4 wires		A	B	C		
FT2103SS	FT2104SS	TGR200	24	6	5	125	17
FT2203SS		TGR200	24	8	5	225	21
FT3103SS	FT3104SS	TGR200	36	6	5	125	23
FT3203SS	FT3204SS	TGR200	36	10	6	225	43
FT4103SS	FT4104SS	TGR200	48	6	5	125	28
FT4203SS	FT4204SS	TGR200	48	10	6	225	55
FT6403SS	FT6404SS	TGR400	72	10	6	400	75

Splitter Boxes

FB103SS	FB104SS	BGR200	12	10	5	125	11
FB203SS	FB204SS	BGR200	18	12	5	225	23

Application:

Type 4x, enclosure designed for indoor/outdoor distribution (600V maximum, Cu-Al).

Construction:

- 16 gauge 304-4 stainless steel, natural finish
- Factory installed splitter blocks on 14 gauge mounting panel
- Seamless poured in place gasketed cover secured with 304-4 stainless steel 1/4 turn latches
- Continuously welded & ground smooth seams
- Available empty

Also Available:

- Grounding kit
- 316 stainless steel, steel and aluminium

Standards:

- CSA certified 150359



SBT70



SBT100



SBT200



SBT400



SBT600



SBB70



SBB100



SBB200



SBB400



SBB600

TECHNICAL READOUT

Catalog No.	Ampacity Main Lug	Max./Min. Wire Capacity	Ampacity Branch Lugs	Max./Min. Wire Capacity	Weight lbs.
SBT70	70	2-14	6/35	6 X (6-14)	.75
SBT100	125	1/0-14	6/70	6 X (2-14)	.75
SBT200	225	300*-6	6/125	6 X (2/0-14)	1
SBT400	400	600*-4 or 2 X (250*-1/0)	2/200, 4/230	2 X (3/0-14) 4 X (4/0-14)	2
SBT600	600	2 X (600*-2)	2/200, 4/230	2 X (3/0-14) 4 X (4/0-14)	3

SBB (Splitter Blocks for Boxes)

SBB70	70	2-14	3/35	3 X (6-14)	0.5
SBB100	125	2/0-14	3/70	3 X (2/0-14)	.75
SBB200	225	300*-6	3/125	3 X (2/0-14)	1
SBB400	400	2 X (250*-1/0)	2/225	2 X (300*-6)	2
SBB600	600	2 X (600*-2)	2/400	2 X (600*-4)	3

* KCM

Application:

These blocks are used in our standard splitters. They can be used for tapping branch circuits off feeders. All blocks are rated 600 V.

Construction:

- Cu-Al monopiece connectors secured to noryl insulators
- Some connectors used in the standard splitter boxes are secured to an aluminum plate (Cu-Al)
- Each block includes a main lug and branch lugs
- Can be installed in splitter troughs & boxes

On special Order:

- Copper connectors (Cu)
- Copper bars (Cu)

Standards:

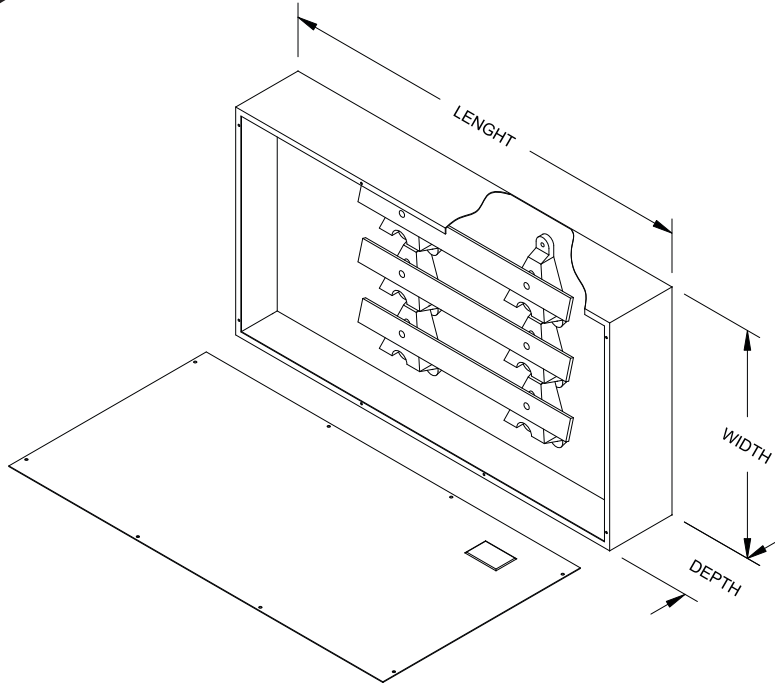
- CSA certified 150359





BG Series

EEMAC / NEMA 1 Bus Gutters



Application:

Type 1 enclosure designed for indoor distribution (600V maximum, Cu-Al). Offers more connection flexibility than FT/FB series and up to 2500 Amp rating on standard enclosures.

TECHNICAL READOUT

Catalog No.	Width Depth (inches)		Weight According To Length (x)											
			3'	4'	5'	6'	7'	8'	9'	10'	11'	12'		
BG(x)200-3	13	5	36	46	57	66	76	117	131					
BG(x)400-3	19	6	63	102	124	142	164	192	214	242				
BG(x)600-3	21	7	74	120	147	167	193	226	252	285	306	332		
BG(x)800-3	21	7	74	120	147	167	193	226	252	285	306	332		
BG(x)1000-3	24	8			188	211	247	288	324	365	389	424		
BG(x)1200-3	24	8			188	211	247	288	324	365	389	424		
BG(x)1600-3	24	8				235	277	324	365	413	436	423		
BG(x)2000-3	28	14				313	332	389	439	501	522	572		
BG(x)2500-3	28	14				398	472	468	536	598	626	687		
BG(x)200-4	16	5	44	54	66	79	90	108	120					
BG(x)400-4	24	6	73	120	145	171	192	234	264	291				
BG(x)600-4	27	7	93	150	184	217	242	282	315	348	373	406		
BG(x)800-4	27	7	93	150	184	217	242	282	315	348	373	406		
BG(x)1000-4	30	8			234	277	305	237	402	453	481	525		
BG(x)1200-4	30	8			234	277	305	237	402	453	481	525		
BG(x)1600-4	30	8				317	345	406	457	517	445	597		
BG(x)2000-4	34	14				438	477	557	622	708	748	819		
BG(x)2500-4	34	14				524	569	662	748	842	887	974		

Construction:

- Steel gauge according to size
- Cu-Al lugs approved on all busbars
- SCREW-ON cover
- Standard Aluminium Bars
- ANSI/ASA61 grey polyester textured powder coating inside out

Also Available:

- Grounding kit
- Hinged cover
- Copper lugs and/or bars
- Cutouts and hubs
- Aluminium and stainless steel
- Special finishes & sizes
- TYPE 3R, 4X or 12

How To Order:

- Specify length (x), ampacity and number of wires (3 or 4) in catalog no. Ex. BG11-600-4 (11 feet - 600 Amps - 4 wire bus gutter)
- Specify number of main and secondary lugs for each busbar

Standards:










- CSA certified 150359
















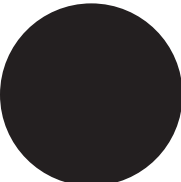

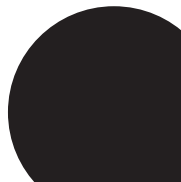

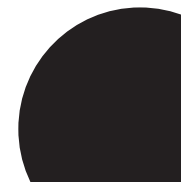
BG Series

Conductor Sizes

#18	#16	#14	#12	#10	#8	#6	#4	#3
								
Amperes, copper		15 A Cu	20 A Cu	30 A Cu	45 A Cu	65 A Cu	85 A Cu	100 A Cu
Amperes, aluminum			15 A Al	25 A Al	30 A Al	50 A Al	65 A Al	75 A Al

#2	#1	#0	#2/0	#3/0	#4/0
					
115 A Cu	130 A Cu	150 A Cu	175 A Cu	200 A Cu	230 A Cu
90 A Al	100 A Al	120 A Al	135 A Al	155 A Al	180 A Al

250 MCM	300 MCM	350 MCM	400 MCM	500 MCM	600 MCM
					
255 A Cu	285 A Cu	310 A Cu	335 A Cu	380 A Cu	420 A Cu
205 A Al	230 A Al	250 A Al	270 A Al	310 A Al	340 A Al

700 MCM	750 MCM	800 MCM	900 MCM	1000 MCM
				
460 A Cu	475 A Cu	490 A Cu	520 A Cu	545 A Cu
375 A Al	385 A Al	395 A Al	425 A Al	445 A Al

Amperage is based on three wires in one gutter with a maximum elevation of 23°C (75°F).



Application:

Type 1 enclosure designed for indoor use to run electrical wiring

Construction:

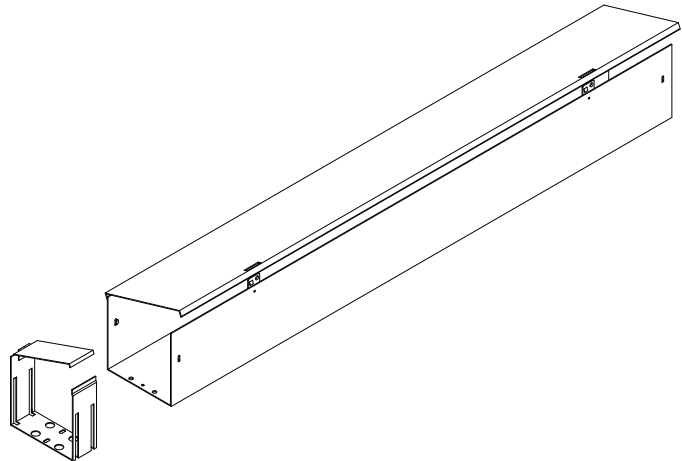
- 16 steel gauge
- Joiner supplied with each length
- Retractable sealing hasp
- ANSI/ASA61 grey polyester textured powder coating inside out

Also Available:

- Heavier gauge for larger than 6" x 6" wireways
- Factory installed wire separating barriers (specify if horizontal or vertical installation inside fitting)
- Cutouts & holes, special finishes & sizes

Standards:

- CSA certified 150359



CAPACITY CHART

Wire Sizes	Dimension of Wires		Maximum Number of Wires of Same Capacity					
	Types	Types	64mm x 64mm (2.5" x 2.5")		102mm x 102mm (4" x 4")		152mm x 152mm (6" x 6")	
	RW75 R90 RW75 (X-Link) RW90 (X-Link)	T, TW, TWH	A	B	A	B	A	B
14	.0327	.0135	38	92	97	200	200	200
12	.0384	.0172	32	72	83	186	187	200
10	.0460	.0224	27	55	69	142	156	200
8	.0760	.0475	16	26	42	67	94	151
6	.1238	.0819	10	15	25	39	58	87
4	.1605	.1087	7	11	19	29	44	66
3	.1817	.1263	6	9	17	25	39	57
2	.2067	.1473	6	8	15	21	34	48
1	.2715	.2027	4	6	11	15	26	35
0	.3107	.2367	4	5	10	13	23	30
00	.3578	.2781	3	4	8	11	20	25
000	.4151	.3288	3	3	7	9	17	21
0000	.4840	.3904	2	3	6	8	14	18
250MCM	.5917	.4877	2	2	5	6	12	14
300MCM	.6837	.5581	1	2	4	5	10	12
350MCM	.7620	.6291	1	1	4	5	9	11
400MCM	.8365	.6969	1	1	3	4	8	10
500MCM	.9834	.8316	1	1	3	3	7	8
600MCM	1.1940	1.0261	1	1	2	3	6	7
700MCM	1.3355	1.1575	-	1	2	2	5	6
750MCM	1.4082	1.2252	-	1	2	2	5	5

TECHNICAL READOUT

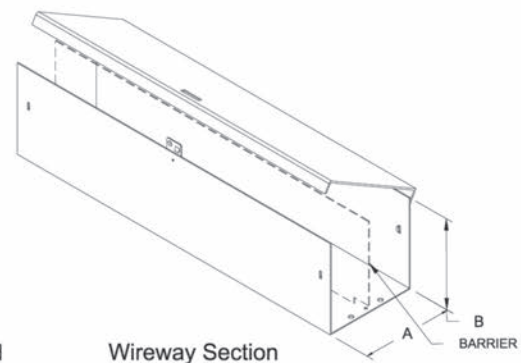
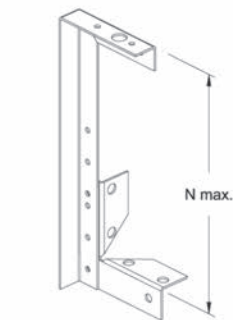
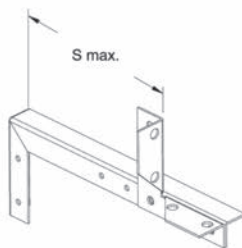
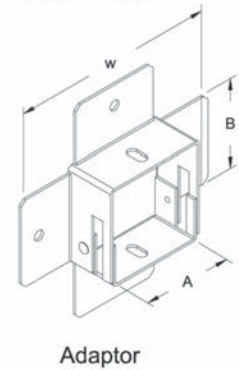
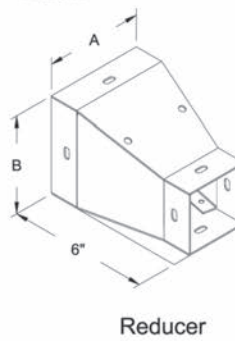
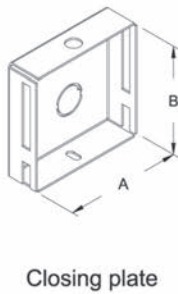
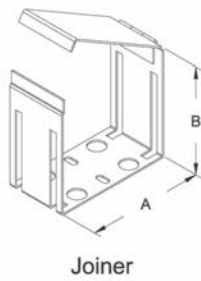
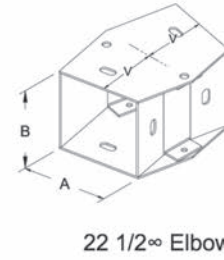
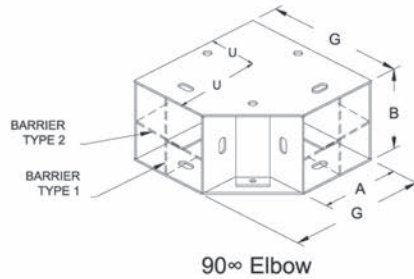
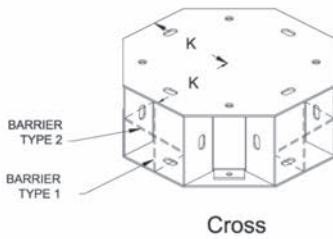
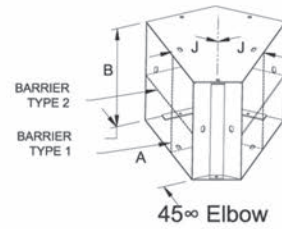
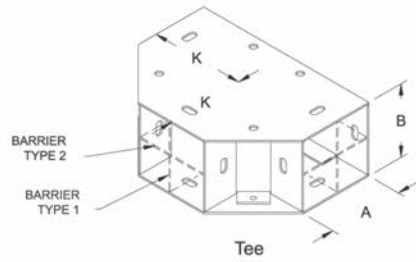
Description	Catalog No. Weight		Catalog No. Weight		Catalog No. Weight	
	2.5" x 2.5"	lbs.	4" x 4"	lbs.	6" x 6"	lbs.
12" Wireway Section	B21LD	2	B41LD	4	B61LD	5
24" Wireway Section	B22LD	4	B42LD	7	B62LD	10
60" Wireway Section	B25LD	11	B45LD	18	B65LD	26
96" Wireway Section	B28LD	20	B48LD	33	B68LD	49

ACCESSORIES

90° Elbow	B290E	1.25	B490E	2	B690E	4
45° Elbow	B245E	1.25	B445E	1.50	B645E	2.5
22.5° Elbow	B225E	1	B425E	1.5	B625E	2
Tee Fitting	B2T	1.5	B4T	2.5	B6T	4
Cross Fitting	B2CF	2	B4CF	2.25	B6CF	4
Hanger (hori. & vert.)	B2H	0.25	B4H	0.5	B6H	0.75
Closing Plate	B2CP	0.25	B4CP	0.5	B6CP	1
Adaptor	B2AD	0.25	B4AD	0.75	B6AD	1
Reducer 4" to 2.5"	-	-	B42R	1.5	-	-
Reducer 6" to 4"	-	-	-	-	B64R	2
Joiner	B2J	0.25	B4J	0.5	B6J	0.75
12" Barrier*	B21B	0.5	B41B	1	B61B	1
24" Barrier*	B22B	1	B42B	2	B62B	3
60" Barrier*	B25B	3	B45B	5	B65B	7
96" Barrier*	B28B	5	B48B	9	B68B	14

* Barrier designed for field installation





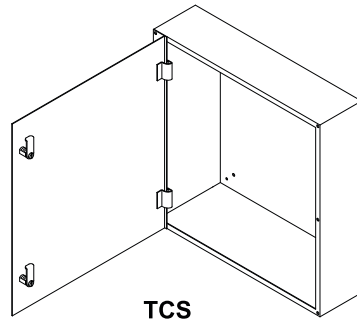
Hanger horizontally mounted

Hanger vertically mounted

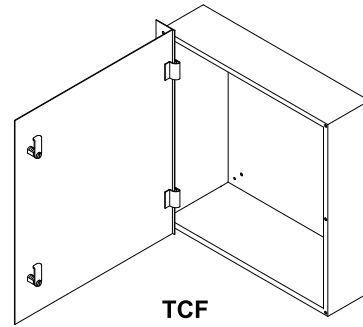
Wireway Section

DUCT SIZE

A	B	G	J	K	N	S	U	V	W
2.500	x 2.500	4.625	2.406	3.313	7.500	6.250	3.313	2.063	5.188
4.000	x 4.000	6.125	2.688	4.063	9.500	7.125	4.063	2.156	6.888
6.000	x 6.000	8.125	3.094	5.063	14.000	9.500	5.063	2.375	8.688



TCS



TCF

TECHNICAL READOUT

SINGLE DOOR				DOUBLE DOOR					
Catalog No.	Dimensions (box)			Wt. lbs.	Catalog No.	Dimensions (box)			Wt. lbs.
	A	B	C			A	B	C	
TC(x)12124	12	12	4	12	TC(x)30304	30	30	4	51
TC(x)18124	18	12	4	16	TC(x)36304	36	30	4	55
TC(x)24184	24	18	4	27	TC(x)36364	36	36	4	109
TC(x)24244	24	24	4	35	TC(x)48304	48	30	4	120
TC(x)30244	30	24	4	42	TC(x)48364	48	36	4	142
TC(x)36244	36	24	4	50	TC(x)48484	48	48	4	186
TC(x)12126	12	12	6	13	TC(x)30306	30	30	6	59
TC(x)18126	18	12	6	18	TC(x)36306	36	30	6	64
TC(x)24186	24	18	6	32	TC(x)36366	36	36	6	115
TC(x)24246	24	24	6	40	TC(x)48306	48	30	6	126
TC(x)30246	30	24	6	49	TC(x)48366	48	36	6	157
TC(x)36246	36	24	6	57	TC(x)48486	48	48	6	195
TC(x)12128	12	12	8	15	TC(x)30308	30	30	8	63
TC(x)18128	18	12	8	20	TC(x)36308	36	30	8	115
TC(x)24188	24	18	8	35	TC(x)36368	36	36	8	121
TC(x)24248	24	24	8	44	TC(x)48308	48	30	8	133
TC(x)30248	30	24	8	52	TC(x)48368	48	36	8	157
TC(x)36248	36	24	8	61	TC(x)48488	48	48	8	203

(x) Specify "S" for surface mounting or "F" for flush

Application:

Type 1 traditionally called "telephone cabinets", TCS and TCF enclosures are not limited to housing telephone equipment. They are often used in hospitals, schools and hotels to centralize switches and dimmers for instance, the plywood mounting panel eliminating electrical noise these devices tend to generate. They can also be used to hide a bulky piece of control equipment or simply as top of the line junction boxes, when esthetics come into play.

Construction:

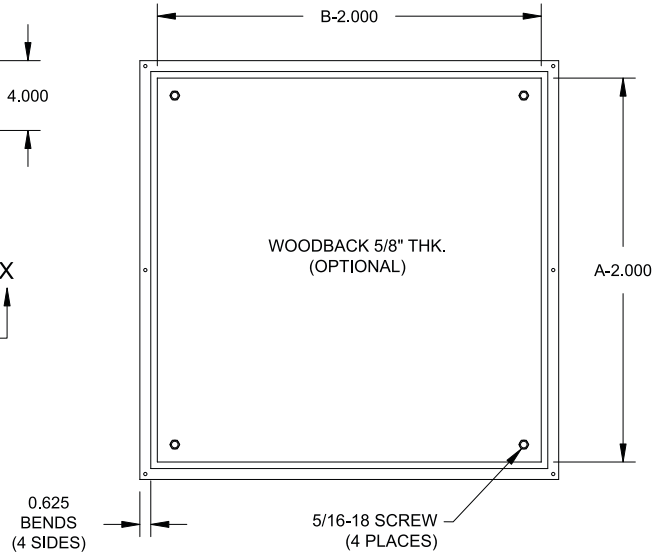
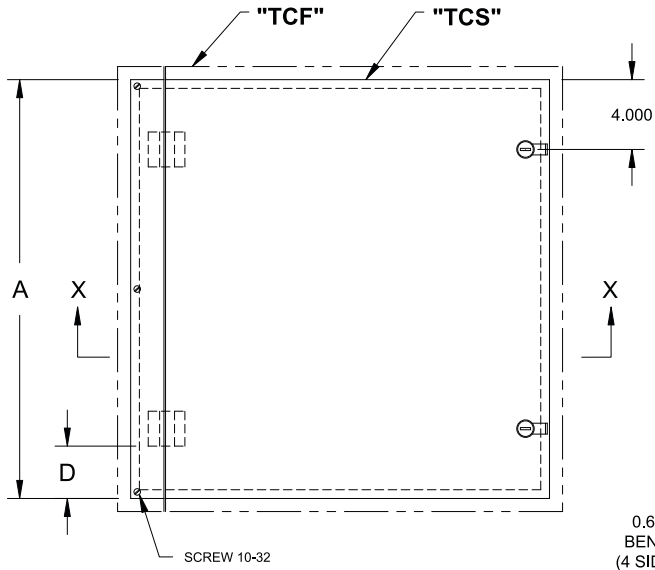
- 16 or 14 gauge steel, depending on enclosure size
- 14 gauge steel door(s)
- Single door on 24" wide and under enclosures models; double doors on greater than 24" wide models
- 3/4" lip all around on flush cover
- 1/4 turn lock provided with two (2) keys
- ANSI/ASA61 grey polyester textured powder coating inside out

Also Available:

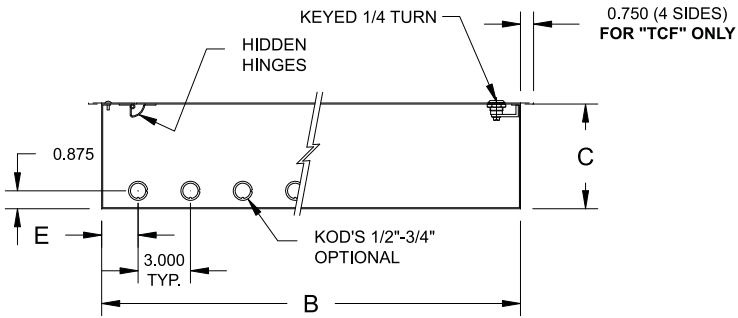
- Grounding kit
- Cutouts, louvers and hubs
- Aluminium and stainless steel
- Special finishes & sizes
- TYPE 3R, 4X or 12

How To Order:

- Specify TCS for surface mounting
- Specify TCF for flush mounting
- Specify KO for Knockouts (1/2" - 3/4")
- Specify WB for wood back (TCFKO24246WB = 24"x24"x6" Flush mounting cabinet complete with knockouts & wood back)



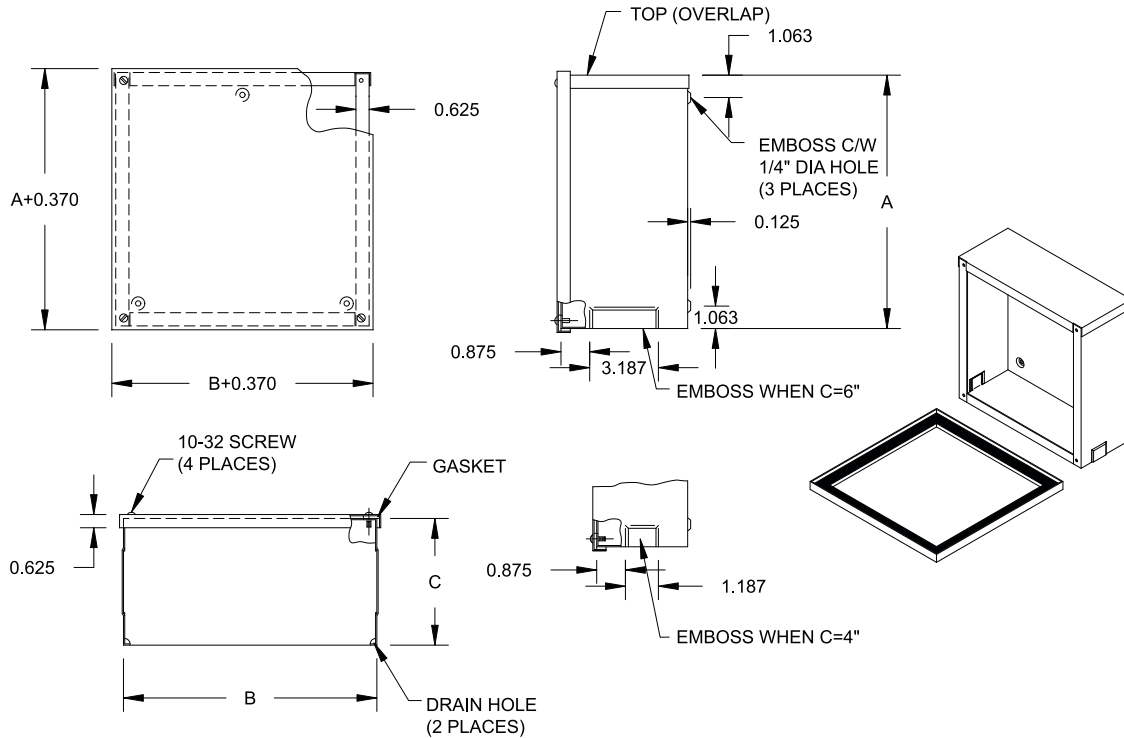
Front View
(WITHOUT DOOR)



Section X-X

TECHNICAL READOUT

Height A	Qty. 1/4 Turn Keyed Latches	Qty. Hinges	D	A or B	E	Qty. 1/2" - 3/4" Knockouts (Optional)
12	1	2	2.0	12	3.000	3
18	1	2	2.0	18	3.000	5
24	2	2	3.0	24	6.000	5
30	2	3	3.0	30	6.000	7
36	3	3	3.0	36	6.000	9



TECHNICAL READOUT

Catalog No.	Dimensions (box)			Weight lbs
	A	B	C	
DWPF664	6	6	4	3.5
DWPF884	8	8	4	5
DWPF886	8	8	6	6
DWPF10104	10	10	4	7
DWPF10106	10	10	6	8
DWPF12124	12	12	4	9
DWPF12126	12	12	6	10
DWPF16166	16	16	6	16
DWPF18186	18	18	6	20
DWPF24246	24	24	6	31.5

Application:

Type 3R weatherproof enclosure generally used as a junction or pull box.

Construction:

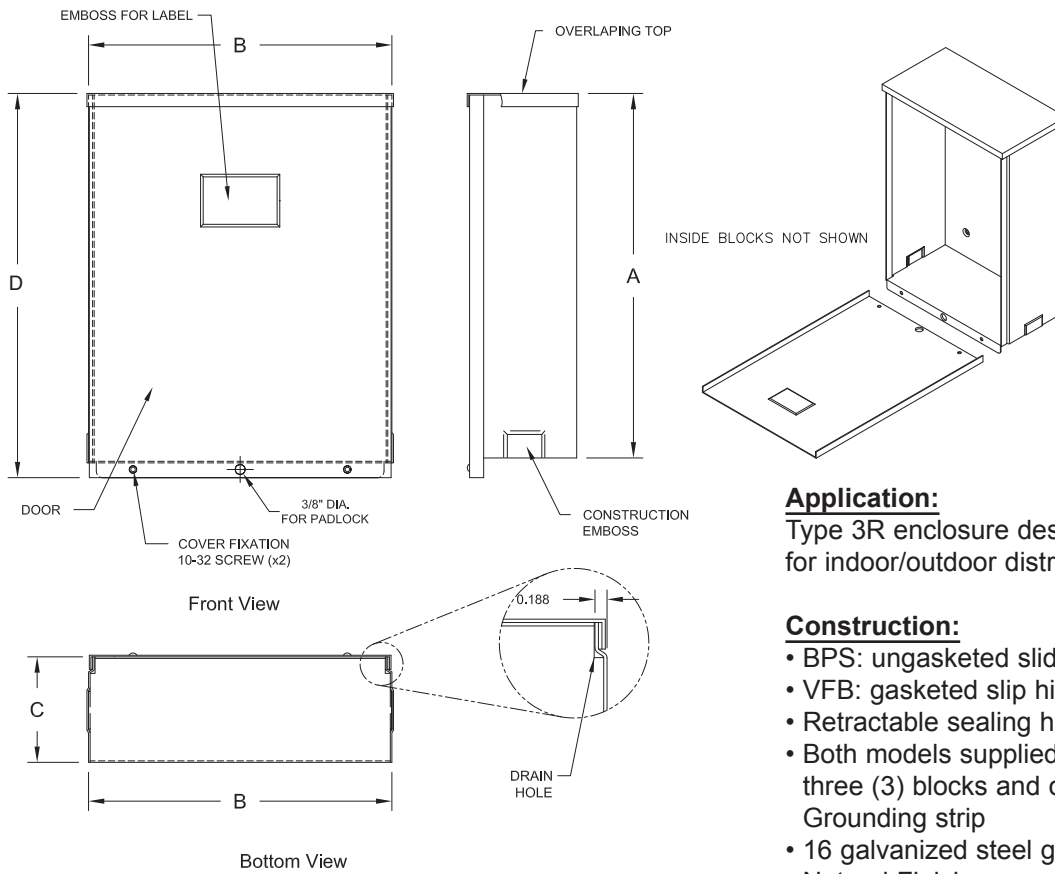
- 16 gauge steel,
- Mounting holes on back for vertical installation only
- Grounding emboss & grounding screw
- ANSI/ASA61 grey polyester textured powder coating inside out
- Seamless poured in place gasketed cover held in place with screws
- 2 drain holes

Also Available:

- Aluminium and stainless steel
- Cutouts, louvers and hubs
- Special finishes & sizes

Standards:

- CSA certified 150359



Application:

Type 3R enclosure designed for indoor/outdoor distribution.

Construction:

- BPS: ungasketed sliding cover
- VFB: gasketed slip hinged cover
- Retractable sealing hasp
- Both models supplied with three (3) blocks and one (1) Grounding strip
- 16 galvanized steel gauge Natural Finish

Also Available:

- Cutouts, louvers and hubs
- Aluminium and stainless steel
- Special finishes & sizes

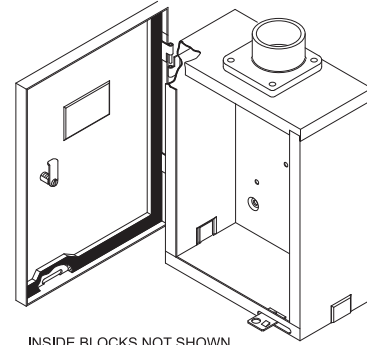
Standards:

- CSA certified 150359

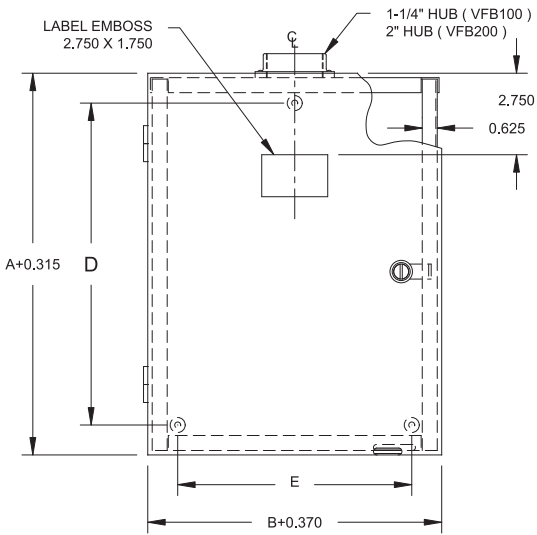
TECHNICAL READOUT

Catalog No.	Capacity Per Block	Ground Strip	Size			
			A	B	C	D
BPS100	1-1/0 to 14 6-2 to 14	3 x (4-14)	14"	8 7/8"	4"	14 9/16"
BPS200	1-300 MCM 6-2/0 to 14	3 x (4-14)	14"	11 1/2"	4"	14 9/16"
BPS200-LG	1-300 MCM 6-2/0 to 14	3 x (4-14)	18 5/6"	11"	5 1/2"	19 1/16"
BPS400-LG	1x 600-4 or 2x (250-1/0) 2x 3/0-14 and 4x 4/0-6	3 x (4-14)	19 5/16"	20"	6"	20 1/16"

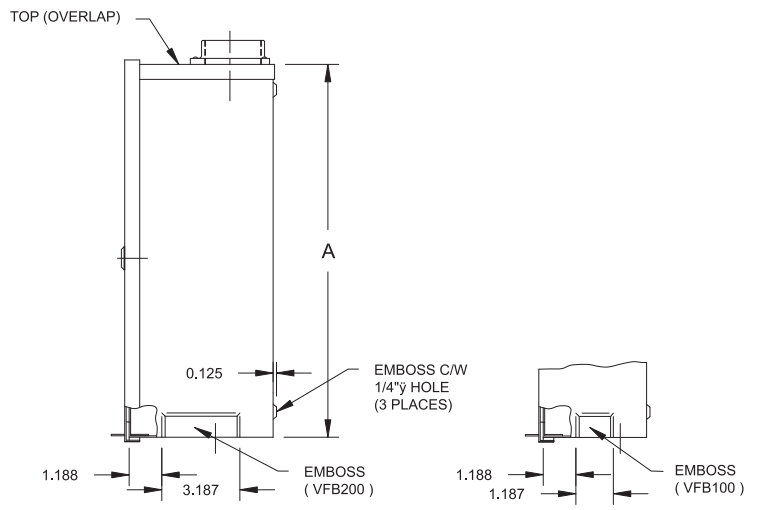




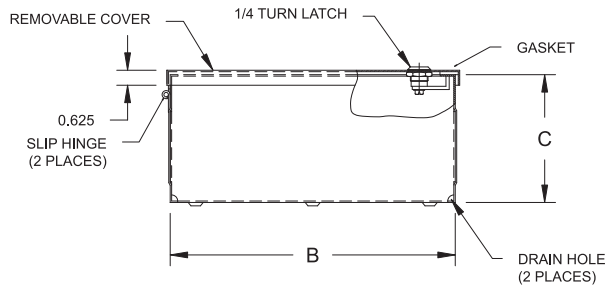
INSIDE BLOCKS NOT SHOWN



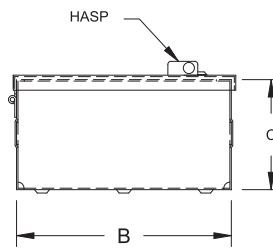
Front View



Side View



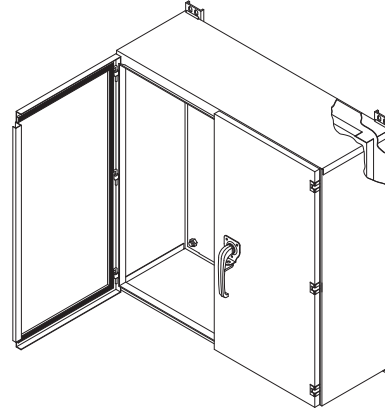
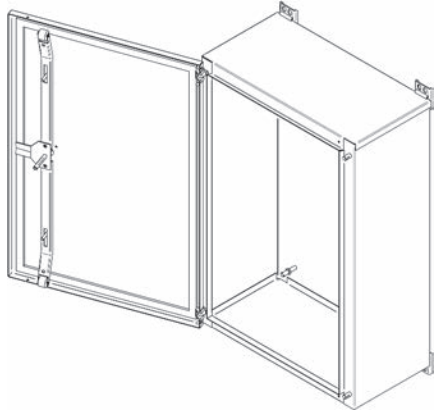
**Bottom View
VFB200**



**Bottom View
VFB100**

TECHNICAL READOUT

Catalog No.	Capacity Per Block	Ground Strip	Hub Top Entry	Size				
				A	B	C	D	E
VFB100	4-2/0 a 14	3 x (4-14)	1 1/4"	11 1/16"	8 3/32"	4 7/32"	8 7/16"	5 27/32"
VFB200	2-300 MCM 3-2/0 a 14	3 x (4-14)	2"	18"	11 7/8"	5 5/16"	13 7/8"	7 7/8"



TECHNICAL READOUT

Catalog No.	Dimensions (box)			Panel		Weight lbs
	A	B	C	D	E	
SINGLE DOOR						
AMC271310	27	13	10	24 x 10		36.5
AMC202010-A8F	20	20	10	17 x 17		40
AMC302010	30	20	10	27 x 17		67
DOUBLE DOOR						
AMC303010	30	30	10	27 x 27		90
AMC363612	36	36	12	33 x 33		129
AMC484812	48	48	12	45 x 45		208

Application:

Type 3R enclosure designed for indoor/outdoor housing of metering transformers.

Construction:

- 16 or 14 steel gauge
- Tack welded construction
- Neoprene gasketed doors
- Padlock hasp
- Removable mounting panel
- Three point lock vault handle (one point lock on AMC202010-A8F)
- Nylon rollers on latch rods (three point lock only)
- ANSI/ASA61 grey polyester textured powder coating inside out

Also Available:

- Aluminium and stainless steel
- Cut-outs, louvers, hubs, windows
- Special finishes & sizes

Standards:

- CSA certified 150359

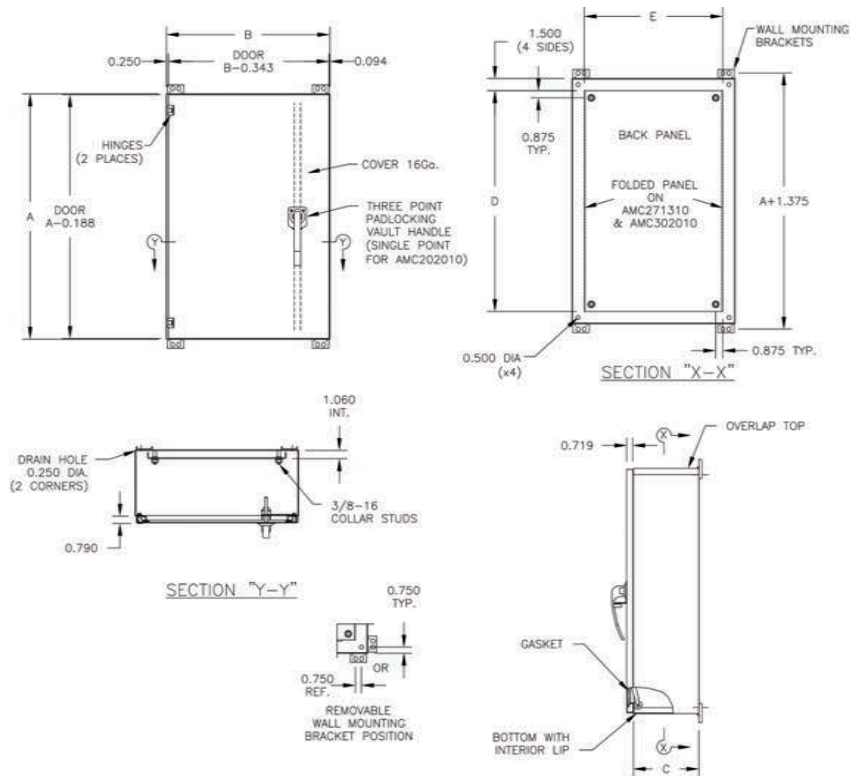




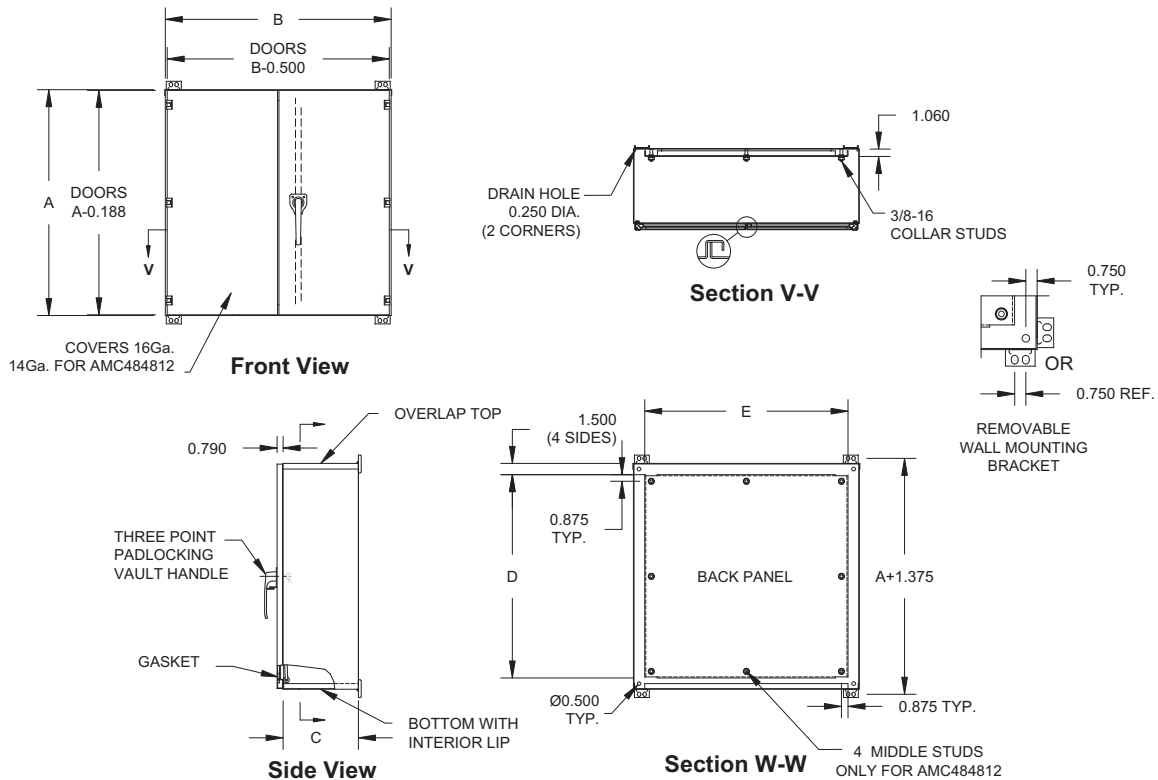
AMC Series

EEMAC / NEMA 3R Metering Cabinets

Single Door



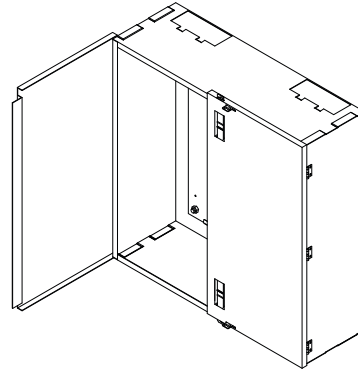
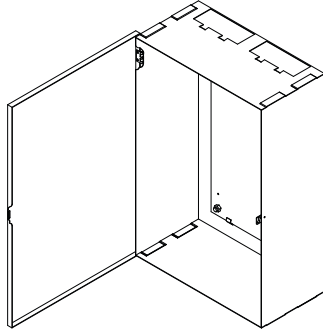
Double Door





MC Series

EEMAC / NEMA 1 Metering Cabinets



TECHNICAL READOUT

Catalog No.	Dimensions (box)			Panel		Weight lbs
	A	B	C	F	G	

SINGLE DOOR

MC271310*	27	13	10	23 x 9	32
MC202010	20	20	10	16 x 16	38
MC302010	30	20	10	26 x 16	51

* No meter plates

DOUBLE DOOR

MC303010	30	30	10	26 x 26	71
MC363612	36	36	12	32 x 32	121
MC484812	48	48	12	44 x 44	200

Application:

Type 1 enclosure designed for indoor housing of metering transformers.

Construction:

- 16 or 14 steel gauge
- Hinged door
- Retractable sealing hasp
- Removable mounting panel
- Grounding hole on mounting panel with grounding screw
- ANSI/ASA61 grey polyester textured powder coating inside out

Also Available:

- Special finishes & sizes

Standards:

- CSA certified 150359

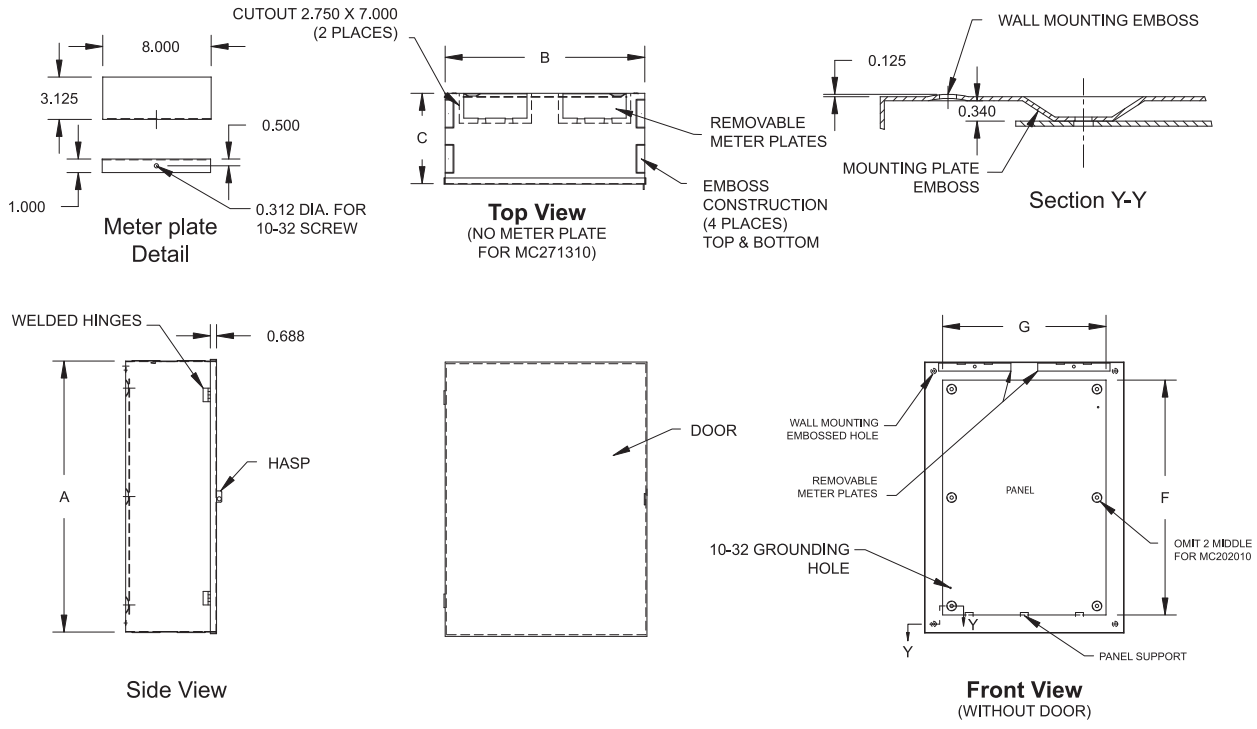




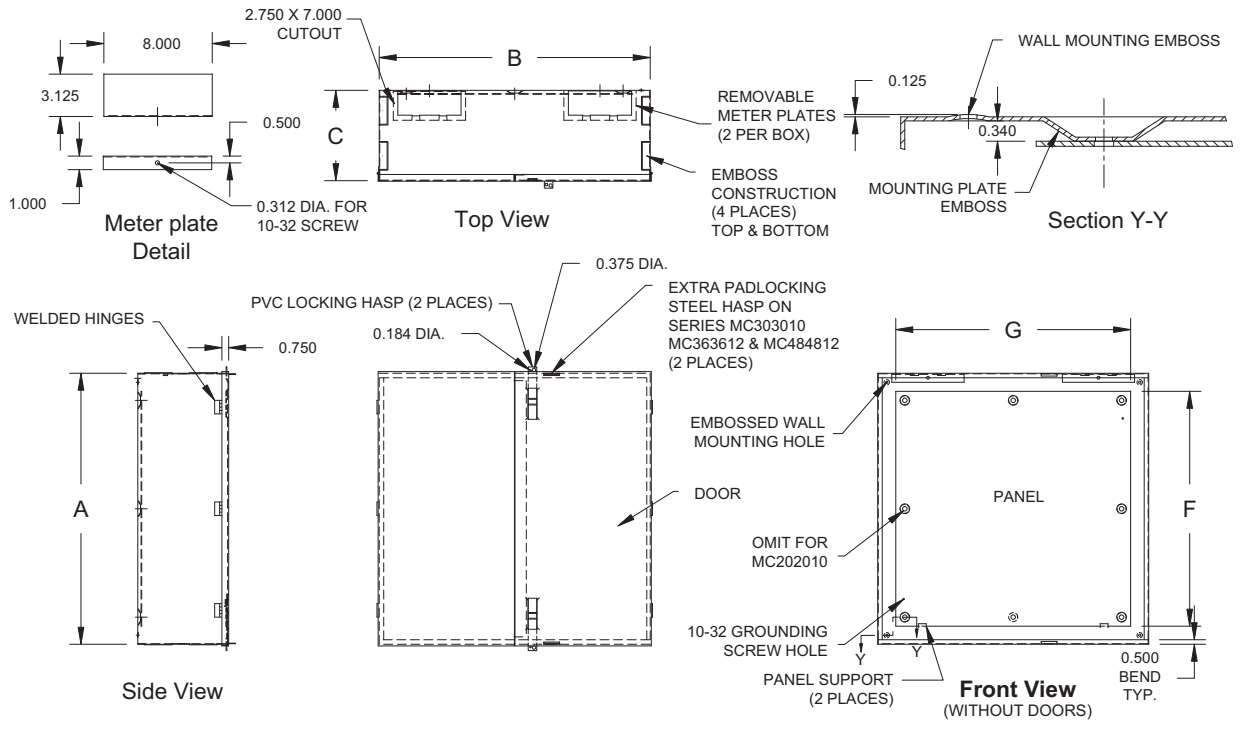
MC Series

EEMAC / NEMA 1 Metering Cabinets

Single Door



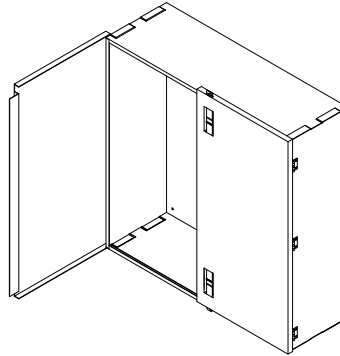
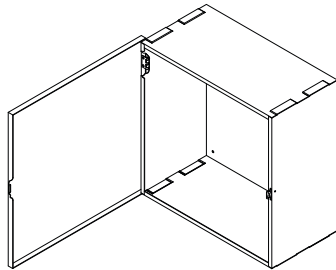
Double Door





C-UG Series

EEMAC / NEMA 1 Metering Cabinets



TECHNICAL READOUT

Catalog No.	Dimensions (box)			Weight lbs
	A	B	C	
SINGLE DOOR				
C202010UG	20	20	10	32
DOUBLE DOOR				
C303010UG	30	30	10	70
C363612UG	36	36	12	92
C484812UG	48	48	12	182

Application:

Type 1 enclosure designed for indoor housing of metering transformers for underground installation.

Construction:

- 16 or 14 steel gauge
- Hinged door
- Sliding padlocking hasp (developed by **BEL**; Hydro Quebec & Hydro Ontario approved) on double door models
- ANSI/ASA61 grey polyester textured powder coating inside out

Also Available:

- Special finishes & sizes

Standards:

- CSA certified 150359

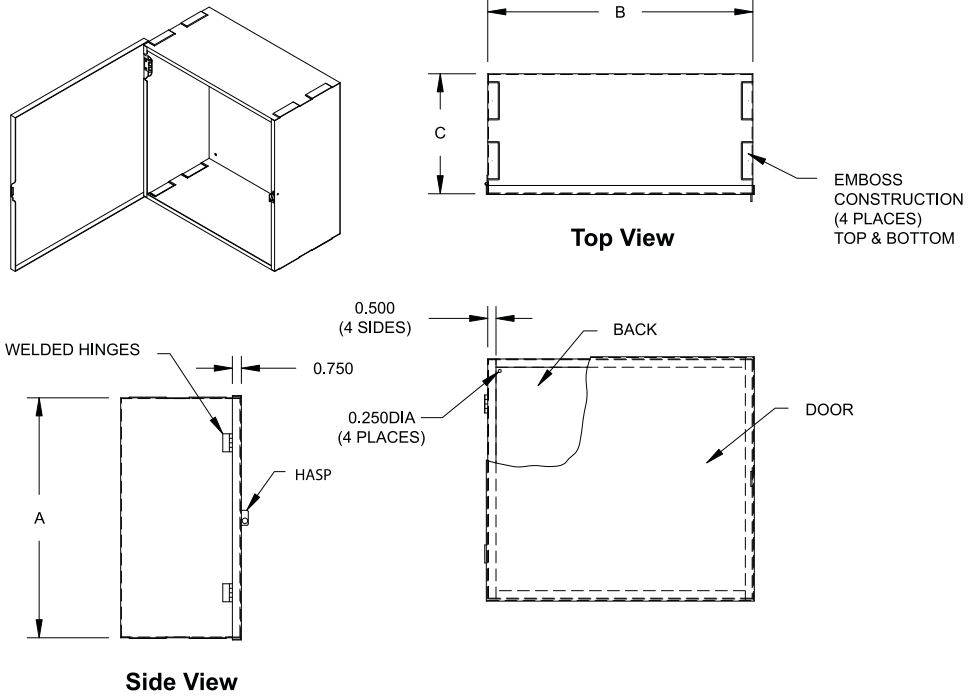




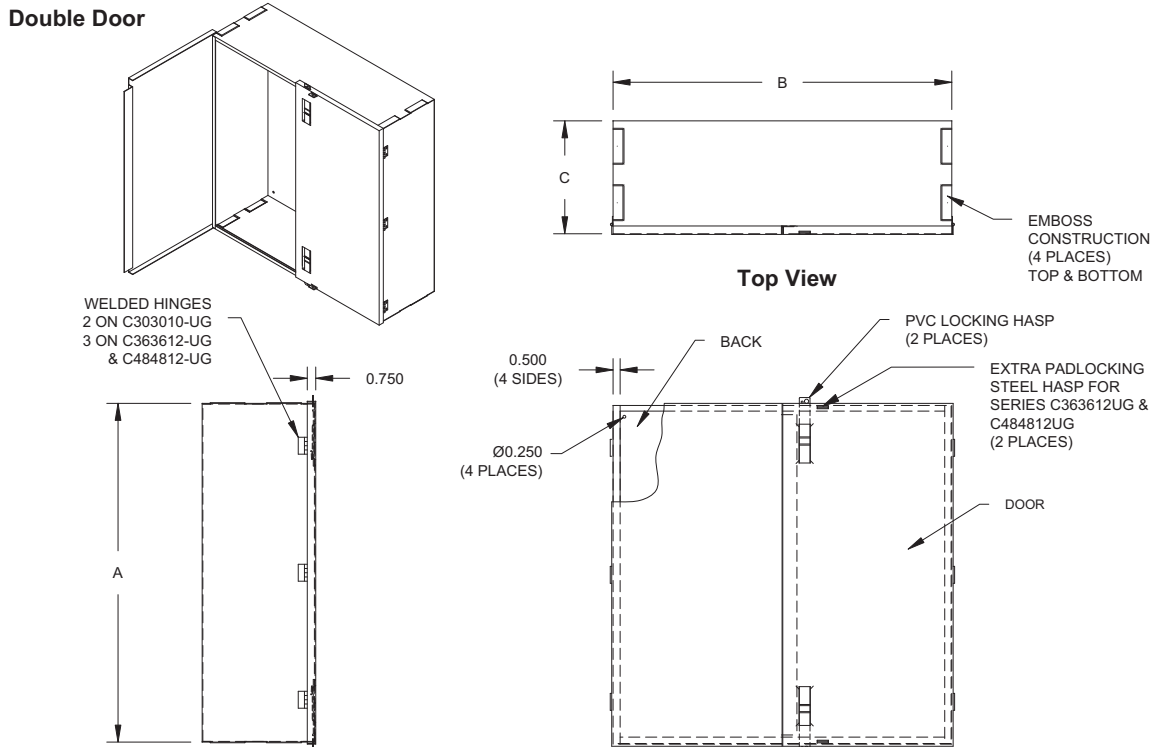
C-UG Series

EEMAC / NEMA 1 Metering Cabinets

Single Door



Double Door





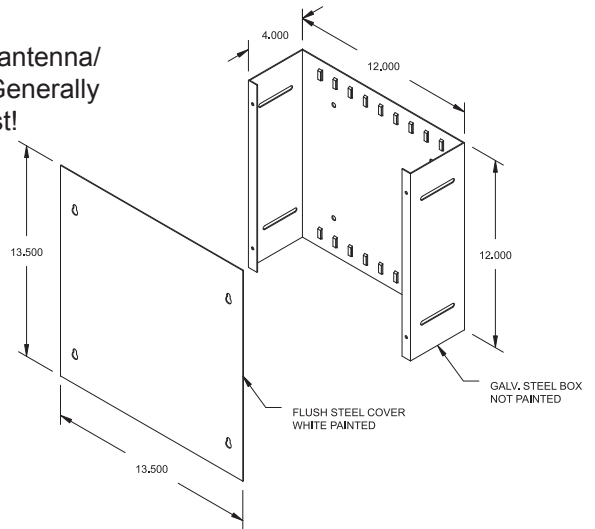
CR Series

Application:

Type 1 surface mounted Communication box use for Tv cable/ antenna/ satellite, security system, phone wiring, home networking etc. Generally used in condo and various building. Where technology is a must!

Construction:

- 18 Gauge galvanized steel unpainted
- Cover made of steel painted smooth white
- Pre-punched holes for vertical installation
- Screw-on cover.



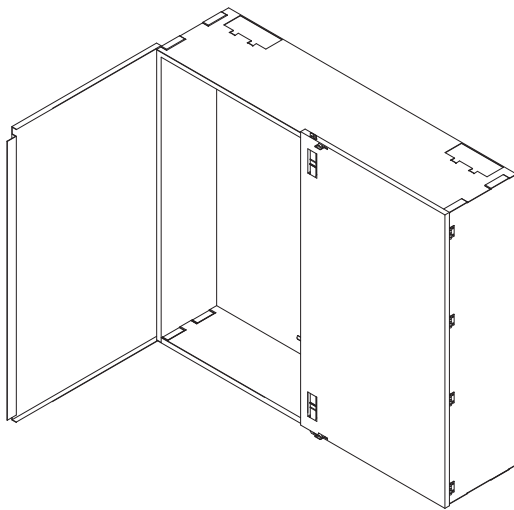
TECHNICAL READOUT

Catalog No.	Dimensions			Weight lbs
	H	W	D	
CR12124GAL	12	12	4	5



MC-HQ Series

EEMAC / NEMA 1 Metering Cabinets



Application:

Type 1 enclosure designed for indoor housing of metering transformers, for Quebec only.

Construction:

- 16 or 14 steel gauge
- Hinged door
- Retractable sealing hasp
- Removable mounting panels
- Grounding hole on mounting panel with grounding screw
- ANSI/ASA61 grey polyester textured powder coating inside out

Also Available:

- Special finishes & sizes

Standards:

- CSA certified 150359

TECHNICAL READOUT

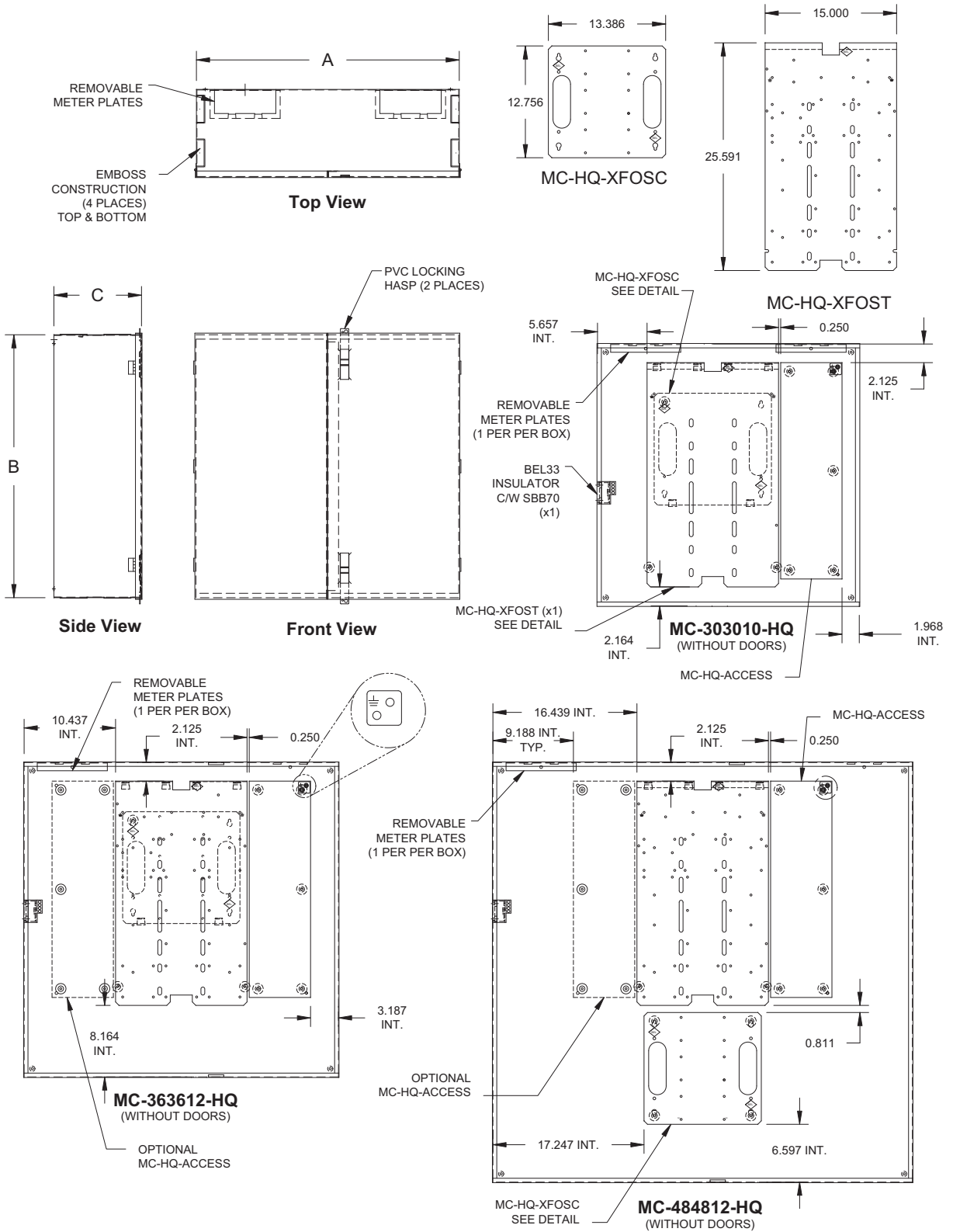
Catalog No.	Dimensions (box)			Weight lbs
	A	B	C	
MC303010HQ	30	30	10	71
MC363612HQ	36	36	12	121
MC484812HQ	48	48	12	200

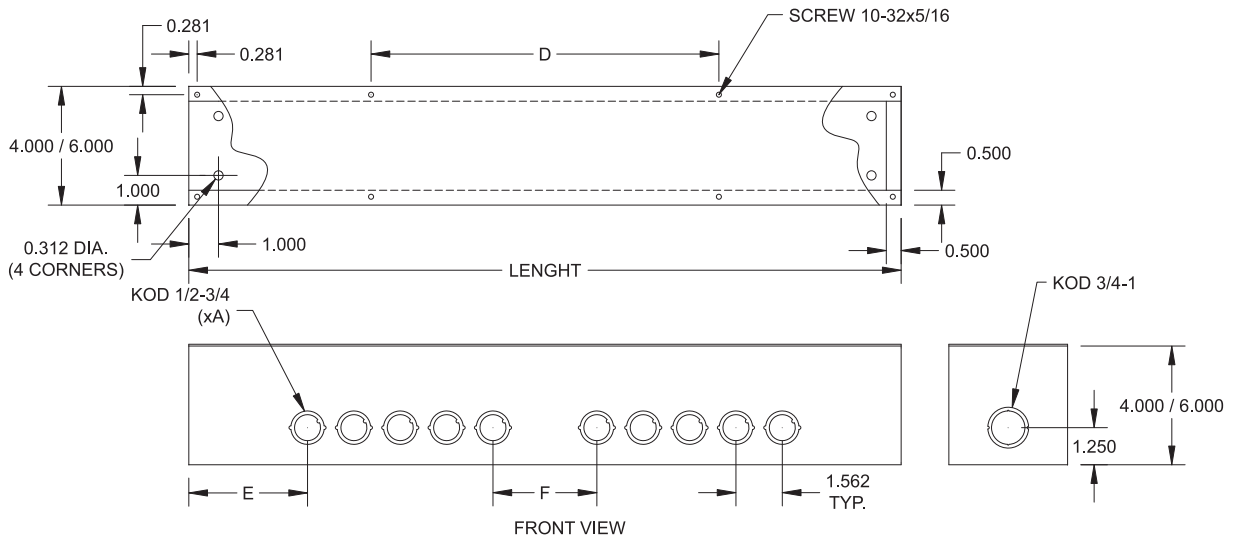
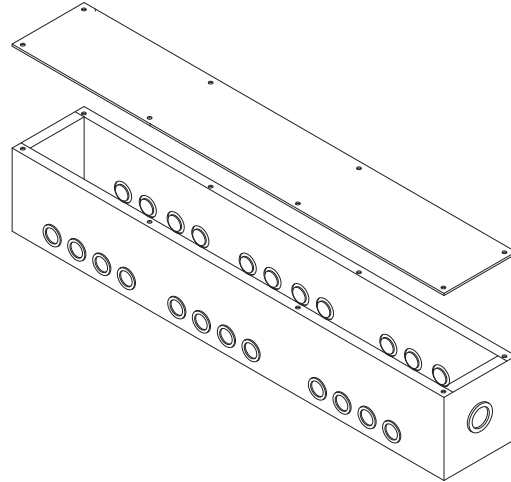




MC-HQ Series

EEMAC / NEMA 1 Metering Cabinets





TECHNICAL READOUT

Catalog No.	Knockouts A	Dimensions			Length
		D	E	F	
GT1244	10	11.438	2.875	----	12
GT1266	10	11.438	2.875	----	12
GT1844	10	8.719	5.875	----	18
GT1866	10	8.719	5.875	----	18
GT2444	20	11.719	4.000	3.500	24
GT2466	20	11.719	4.000	3.500	24
GT3644	30	11.813	4.625	4.000	36
GT3666	30	11.813	4.625	4.000	36
GT4844	40	11.859	4.750	4.500	48
GT4866	40	11.859	4.750	4.500	48

Application:

Type 1 enclosure, use as a junction or pull boxes and are suitable for surface mounting with a screw cover.

Construction:

- Boxes and covers are made from 16 GA steel.
- Screw on cover.
- Four mounting holes, grounding screw provided.
- ANSI/ASA61 grey polyester textured powder coating inside out.

Also Available:

- Special finishes and sizes

Standards:

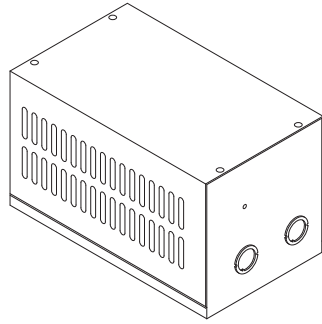
- CSA certified 150359





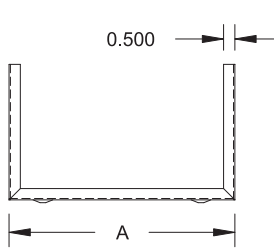
VE Series

EEMAC / NEMA 1 Ventilated Enclosures

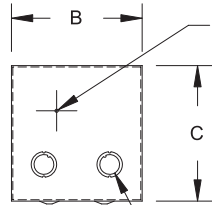


0.281 DIA. (x4) FOR
10-32 SCREWS

Cover Top View

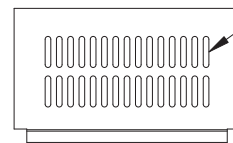


Front View



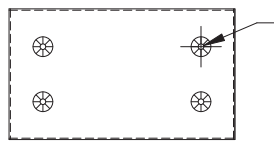
Side View

GROUND
HOLE



VENT OPENINGS

Cover Front View



Bottom View

0.250 DIA.
EMBOSSED
MOUNTING
HOLES (x4)

TECHNICAL READOUT

Catalog No.	Dimensions		
	A	B	C
VE100603	10.000	6.000	3.000
VE100606	10.000	6.000	6.000
VE120808	12.000	8.000	8.000
VE151008	15.000	10.000	8.000
VE151010	15.000	10.000	10.000
VE151314	15.250	13.250	14.250
VE181617	18.250	16.250	17.250
VE181812	18.000	18.000	12.000
VE201010	20.000	10.000	10.000
VE202020	20.250	20.250	20.250
VE222215	22.000	22.000	15.000
VE253030	25.000	30.000	30.000
VE441010	44.000	10.000	10.000

Application:

Enclosures, used as general purpose whenever the contents requires ventilation.

Construction:

- Box and cover are made from 16 GA steel
- Two knockouts on the smaller sides
- Larger sides are fully vented
- Ventilated cover, fixed by four screws
- Four embossed mounting holes
- Grounding hole
- ANSI/ASA61 grey polyester textured powder coating inside out.

Also Available:

- Special finishes & sizes

Standards:

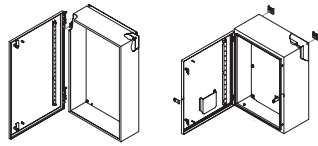
- CSA certified 150359





Industrial

NEMA / EEMAC Types 1, 4, 4x and 12



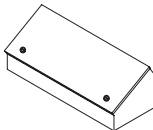
◇ Single Door Enclosures



◇ Double Door Enclosures



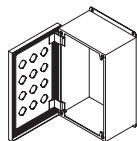
◇ Single Door Free Standing Enclosures



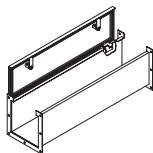
◇ Hinged Lift-off Cover Consoles



◇ Floor Pedestals and Bases



◇ Pushbutton and Miniature Pushbutton Enclosures



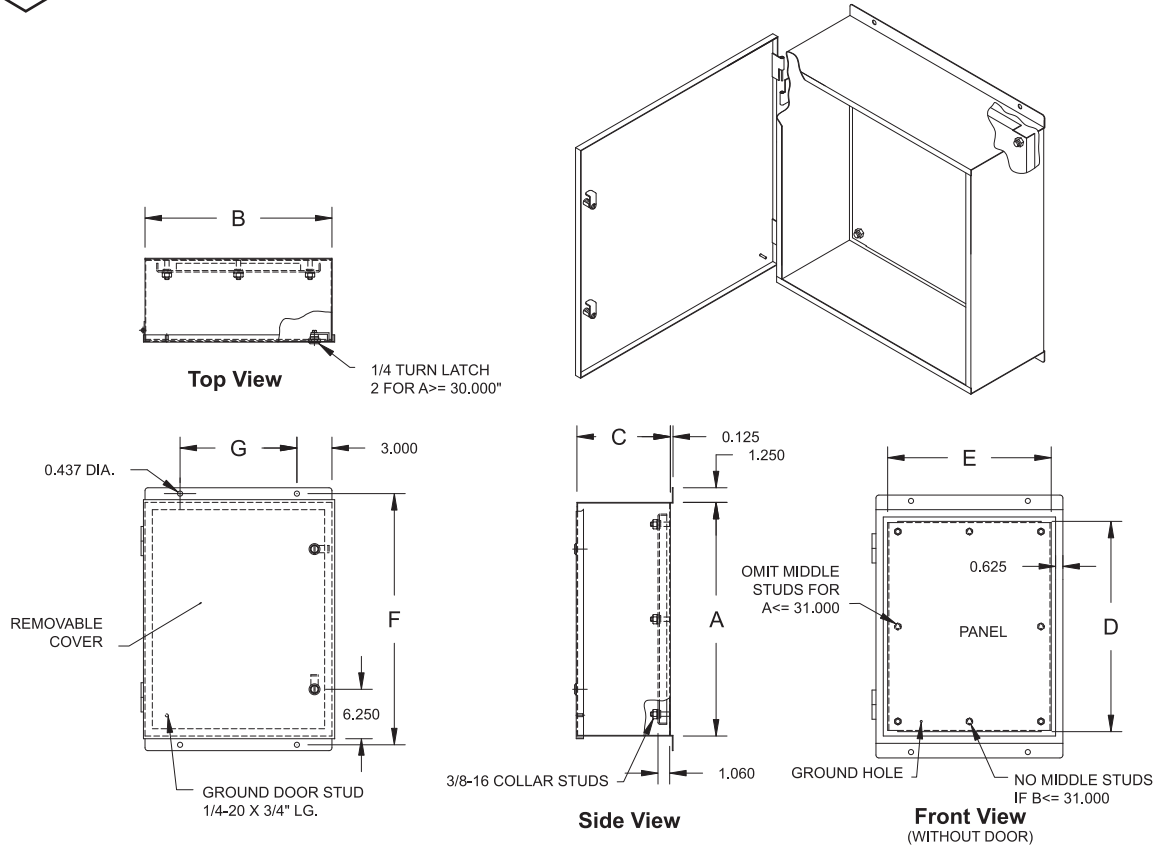
◇ Oil and Dust Tight Wireways





K Series

EEMAC / NEMA 1 Single Door Enclosures



TECHNICAL READOUT

Catalog No.	Dimensions			Panel		Mounting Holes		1/4 Turn Qty.	Weight lbs
	A	B	C	D	E	F	G		
K161208	16	12	8	15	11	16.5	9.5	1	26
K201608	20	16	8	18	14	21.5	10	1	38
K202008	20	20	8	18	18	21.5	14	1	45
K242008	24	20	8	22	18	25.5	14	1	53
K242010	24	20	10	22	18	25.5	14	1	57
K242410	24	24	10	22	22	25.5	18	1	66
K302008	30	20	8	28	18	31.5	14	2	65
K302408	30	24	8	28	22	31.5	18	2	77
K302410	30	24	10	28	22	31.5	18	2	83
K302412	30	24	12	28	22	31.5	18	2	92
K302416	30	24	16	28	22	31.5	18	2	100
K362408	36	24	8	34	22	37.5	18	2	90
K362410	36	24	10	34	22	37.5	18	2	95
K363010	36	30	10	34	28	37.5	24	2	115
K363012	36	30	12	34	28	37.5	24	2	127
K363016	36	30	16	34	28	37.5	24	2	140
K422410	42	24	10	40	22	43.5	18	2	106
K423012	42	30	12	40	28	43.5	24	2	131
K423612	42	36	12	40	34	43.5	30	2	156
K483612	48	36	12	46	34	49.5	30	2	173

Application:

Type 1 general purpose enclosure designed to house electrical, pneumatic or hydraulic instruments

Construction:

- 16 or 14 gauge steel
- Slip hinges enabling door removal for easier access and mounting
- 1/4 turn latch
- 14 or 12 gauge galvanized steel panel on collar studs natural finish (unpainted)
- Grounding stud on inner cover surface
- Grounding hole on mounting panel with grounding screw
- ANSI/ASA61 grey polyester textured powder coating inside out

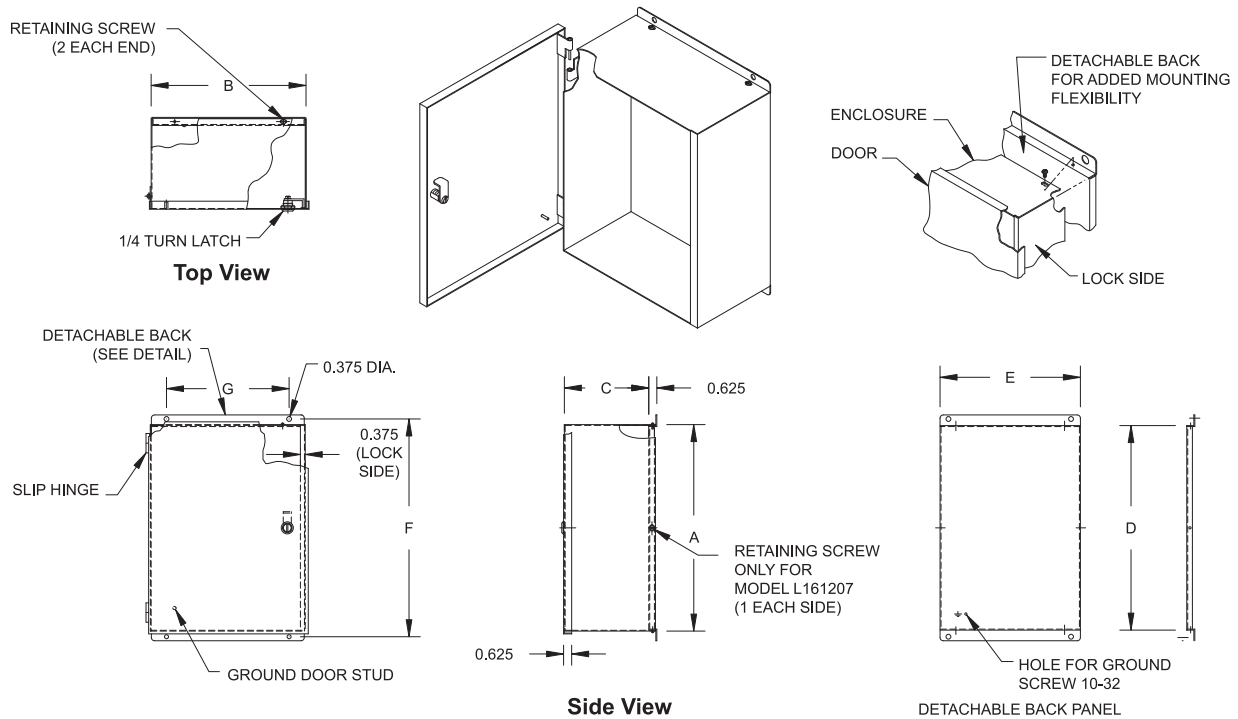
Also Available:

- Aluminium and stainless steel
- Cutouts, louvers, handles
- Special finishes and sizes

Standards:

- CSA certified 150359
- UL listed E109310





Application:

Type 1 general purpose enclosure designed to house electrical, pneumatic or hydraulic instruments

TECHNICAL READOUT

Catalog No.	Dimensions			Panel		Mounting Holes		Weight lbs
	A	B	C	D	E	F	G	
L080606	8	6	6	7.849 x	5.849	8.875	3.5	6
L100804	10	8	4	9.849 x	7.849	10.875	5.5	12
L100806	10	8	6	9.849 x	7.849	10.875	5.5	8.5
L121007	12	10	7	11.849 x	9.849	12.875	7.5	16
L151206	15	12	6	14.849 x	11.849	15.875	9.5	25
L161207	16	12	7	15.849 x	11.849	16.875	9.5	21

Construction:

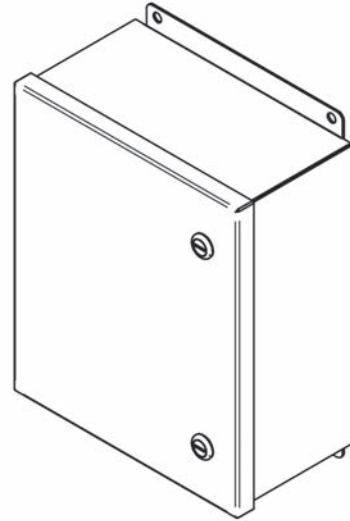
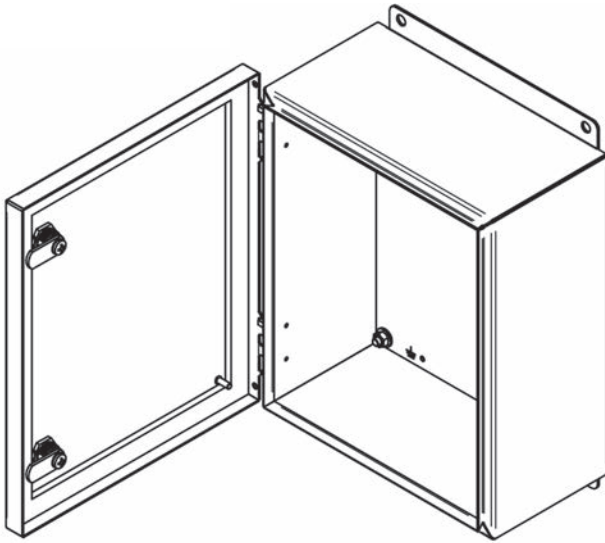
- 16 gauge steel frame and door
- 16 or 14 gauge steel detachable mounting back
- Slip hinges enabling door removal for easier access and mounting
- 1/4 turn latch
- Grounding stud on inner door side
- Grounding screw on detachable back
- ANSI/ASA61 grey polyester textured powder coating inside out

Also Available:

- Aluminium and stainless steel
- Cutouts, hubs
- Special finishes & sizes

Standards:

- CSA certified 150359
- UL listed E109310



TECHNICAL READOUT

Catalog No.	Dimensions			Panel		Weight lbs
	A	B	C	E	F	
S040403*	4	4	3	no panel		2
S040404*	4	4	4	no panel		3.5
S060403*	6	4	3	4.875 x 2.875		3
S060404*	6	4	4	4.875 x 2.875		4
S060604	6	6	4	4.875 x 4.875		5
S080604	8	6	4	6.875 x 4.875		7
S080804	8	8	4	6.875 x 6.875		8
S100804	10	8	4	8.875 x 6.875		10
S121005	12	10	5	10.875 x 8.875		15
S100806	10	8	6	8.875 x 6.875		11
S101006	10	10	6	8.875 x 8.875		14
S121206	12	12	6	10.875 x 10.875		18
S141206	14	12	6	12.875 x 10.875		21
S161406	16	14	6	14.875 x 12.875		26
S121008	12	10	8	10.875 x 8.875		18
S141208	14	12	8	12.875 x 10.875		22
S161408	16	14	8	14.875 x 12.875		24
S161410	16	14	10	14.875 x 12.875		28

* CAPTIVE SCREW

Application:

Type 4-4x-12 / IP-65 enclosure designed for INDOOR/OUTDOOR housing of electrical, pneumatic or hydraulic instruments.

Construction:

- 16 gauge steel
- Slip hinges enabling cover removal for easier access and mounting
- Seamless poured in place gasketed cover except, captive screw models with neoprene gasket
- Continuously welded and ground smooth seams
- 14 gauge galvanized steel panel natural finish (unpainted)
- 1/4 turn latch
- Grounding screw on mounting panel
- Grounding stud welded on inner cover surface
- ANSI/ASA61 grey polyester textured powder coating inside out

Also Available:

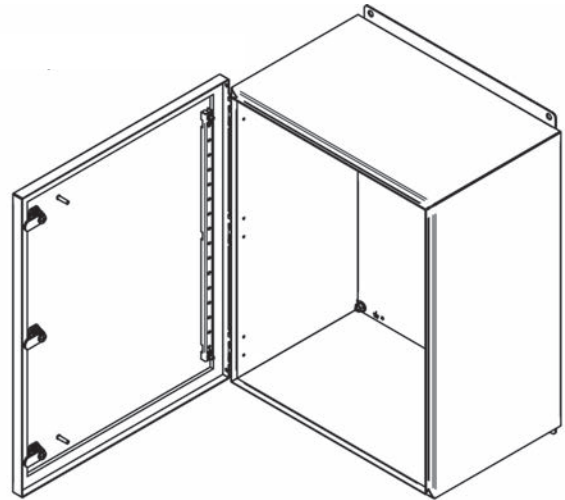
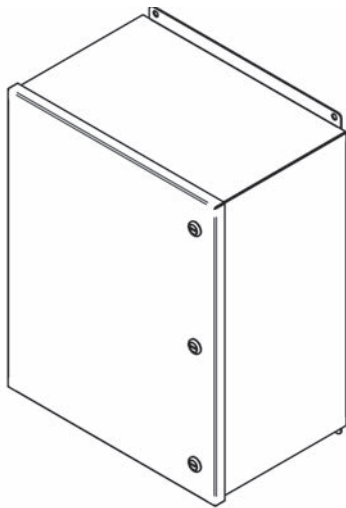
- Aluminium and stainless steel
- Cutouts, louvers, additional knockouts
- Tamper proof screw
- Special finishes & sizes

Standards:

- CSA certified 150359
- UL listed E109310
- CE



LARGE MODEL



TECHNICAL READOUT

Catalog No.	Dimensions			Panel		Weight lbs
	A	B	C	E	F	
S201206	20	12	6	18.875	x 10.875	21
S201606	20	16	6	18.875	x 14.875	26
S241206	24	12	6	22.875	x 10.875	24
S241606	24	16	6	22.875	x 14.875	30
S242006	24	20	6	22.875	x 18.875	36
S201208	20	12	8	18.875	x 10.875	23
S201608	20	16	8	18.875	x 14.875	28
S241208	24	12	8	22.875	x 10.875	26
S241608	24	16	8	22.875	x 14.875	33
S242008	24	20	8	22.875	x 18.875	39
S201610	20	16	10	18.875	x 14.875	31
S241210	24	12	10	22.875	x 10.875	29
S241610	24	16	10	22.875	x 14.875	35
S242010	24	20	10	22.875	x 18.875	42

Application:

Type 4-4x-12 / IP-65 enclosure designed for INDOOR/OUTDOOR housing of electrical, pneumatic or hydraulic instruments.

Construction:

- 16 gauge steel
- Slip hinges enabling cover removal for easier access and mounting
- Seamless poured in place gasketed cover
- Continuously welded and ground smooth seams
- 1/4 turn latch
- 14 gauge galvanized steel panel natural finish (unpainted)
- Grounding screw on mounting panel
- Grounding stud welded on inner cover surface
- ANSI/ASA61 grey polyester textured powder coating inside out
- 4 studs 10-32 UNC x 3/4" inside door installed for mounting rail (one supplied)

Also Available:

- Aluminium and stainless steel
- Cutouts, hubs
- Special finishes & sizes

Standards:

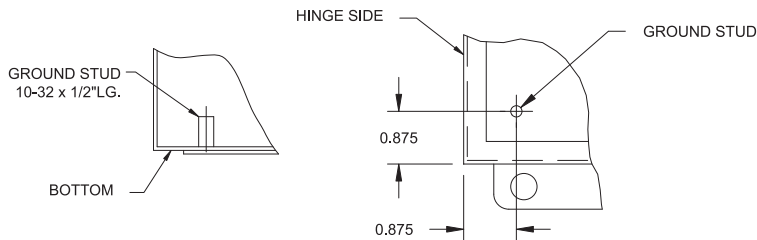
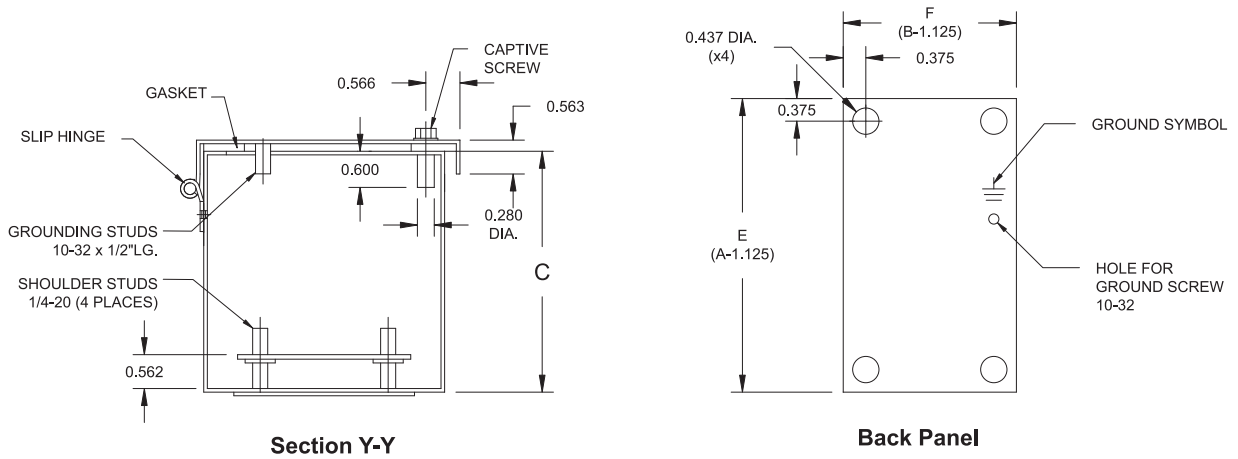
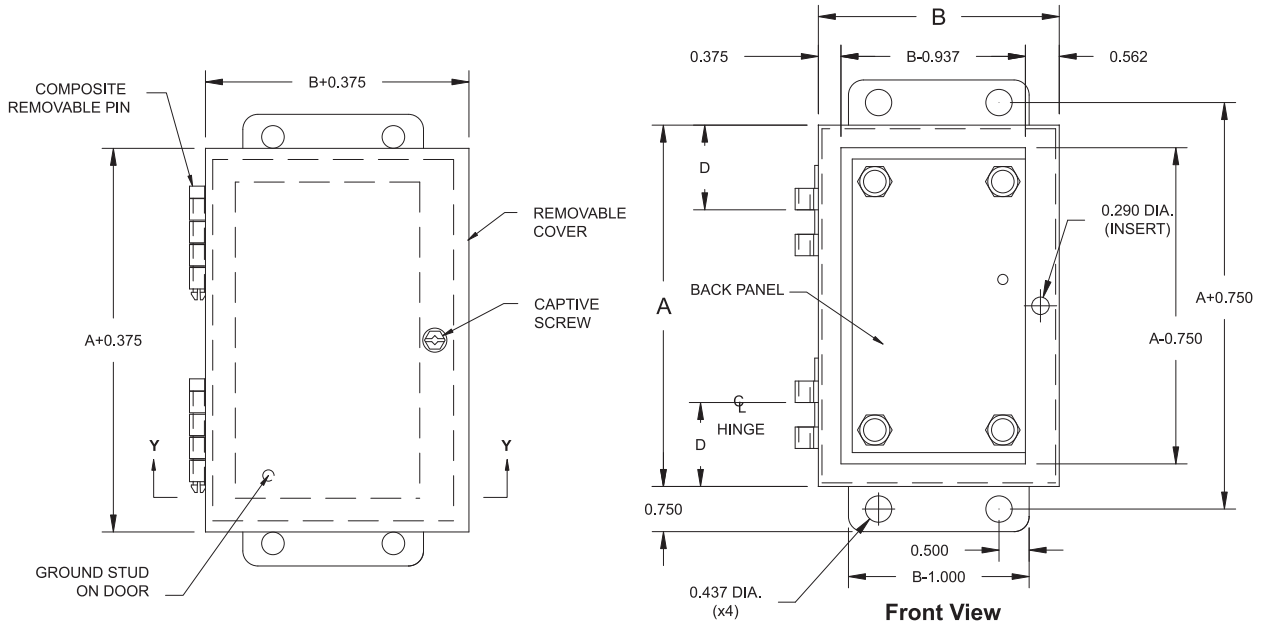
- CSA certified 150359
- UL listed E109310



S Series

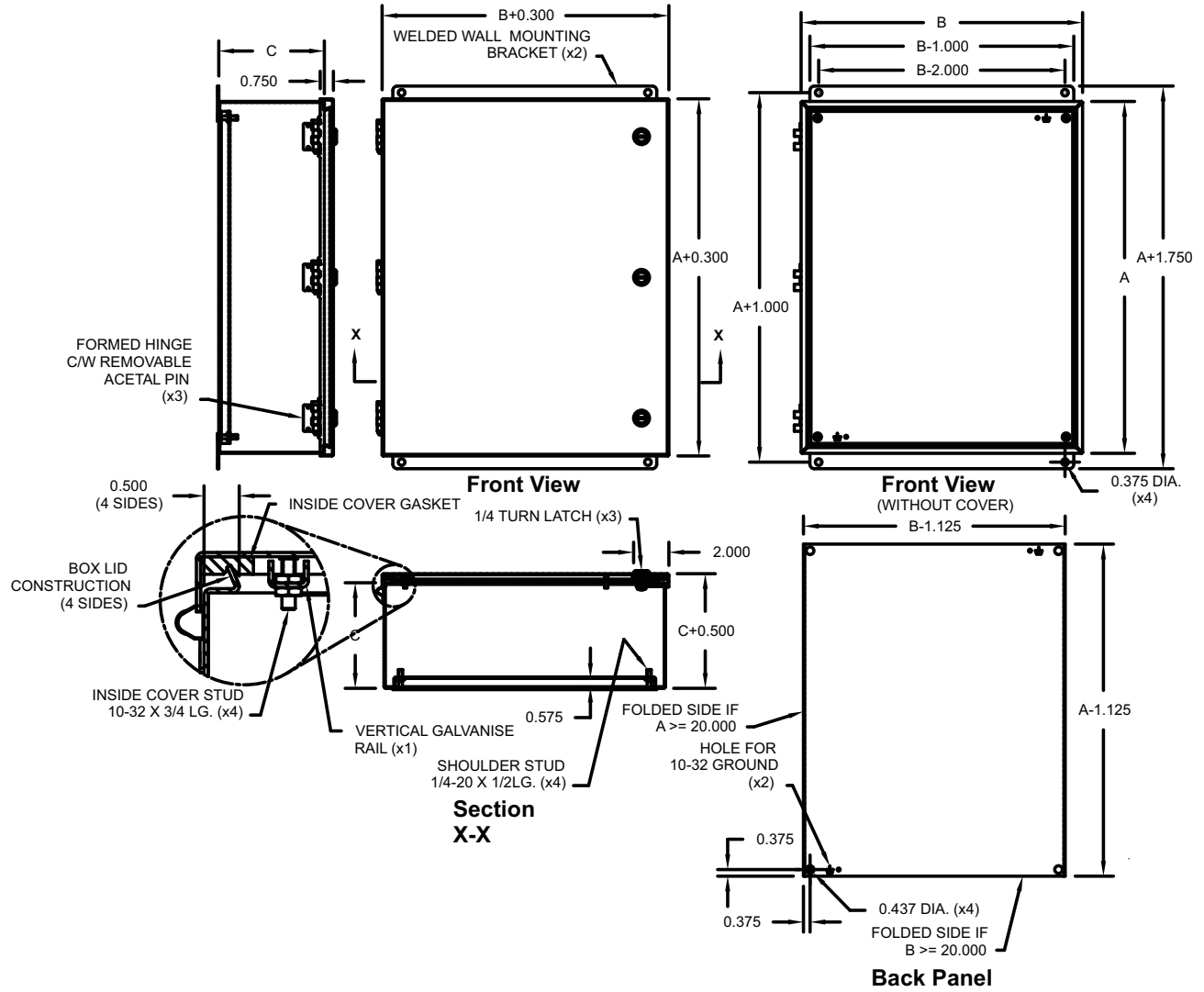
EEMAC / NEMA 4-4x-12 / IP-65 Hinged Lift-Off Cover Enclosures

For models: S040403, S040404, S060403 & S060404



NO MOUNTING PANEL FOR
S040403 & S040404
GROUNDING STUD ONLY





TECHNICAL READOUT

A	Hinge Qty.	1/4 Turn latch or Captive Screw Qty.		Hinge Positions	
				A	D
0" @ 5"	1	1	Captive screw if $B < 6.000$	0" @ 5"	C/L
6" @ 9"	2	1	1/4 turn for other	6" @ 9"	1.375
10" @ 16"	2	2		10" @ 16"	2.000
20" @ 24"	3	3		20" @ 24"	2.000

S..AI Series
TECHNICAL READOUT

Catalog No.	Dimensions			Panel		Weight lbs
	A	B	C	E	F	
S040403AL	4	4	3	no panel		1
S060403AL	6	4	3	4.875 x 2.875		1.5
S060604AL	6	6	4	4.875 x 4.875		2.5
S080604AL	8	6	4	6.875 x 4.875		3.5
S100804AL	10	8	4	8.875 x 6.875		4.5
S121005AL	12	10	5	10.875 x 8.875		7
S141206AL	14	12	6	12.875 x 10.875		10
S161406AL	16	14	6	14.875 x 12.875		13
S141208AL	14	12	8	12.875 x 10.875		12
S161410AL	16	14	10	14.875 x 12.875		15

Application:

Type 4-4x-12 / IP-65 aluminium enclosure designed for INDOOR/OUTDOOR housing of electrical, pneumatic or hydraulic instruments where corrosion is a determining factor.

Construction:

- Quality utility grade aluminium
- Seamless poured in place gasketed cover
- Continuously welded and ground smooth seams
- 1/4 turn latches
- Galvanized steel panel natural finish (unpainted)
- Grounding screw on mounting panel
- Grounding stud welded on inner cover surface
- ANSI/ASA61 grey polyester textured powder coating inside out

Also Available:

- Stainless steel and steel
- Cutouts, hubs
- Special finishes & sizes

Standards:

- CSA certified 150359
- UL listed E109310
- CE

S..SS Series
TECHNICAL READOUT

Catalog No.	Dimensions			Panel		Weight lbs
	A	B	C	E	F	
S060404SS	6	4	4	4.875 x 2.875		4
S060604SS	6	6	4	4.875 x 4.875		5
S080604SS	8	6	4	6.875 x 4.875		6
S100804SS	10	8	4	8.875 x 6.875		10
S121005SS	12	10	5	10.875 x 8.875		15
S121005SS	12	10	5	10.875 x 8.875		15
S080806SS	8	8	6	6.875 x 6.875		12
S141206SS	14	12	6	12.875 x 10.875		21
S161406SS	16	14	6	14.875 x 12.875		26
S141208SS	14	12	8	12.875 x 10.875		22
S161410SS	16	14	10	14.875 x 12.875		28

Application:

Type 4-4x-12 / IP-65 stainless steel enclosure designed for INDOOR/OUTDOOR housing of electrical, pneumatic or hydraulic instruments where corrosion is a determining factor.

Construction:

- 16 gauge 304-4 stainless steel natural finish
- 14 gauge galvanized steel panel natural finish
- Seamless poured in place gasketed cover
- Continuously welded and ground smooth seams
- Hinges and 1/4 turn latches made of stainless steel
- Grounding screw on mounting panel
- Grounding stud welded on inner cover surface

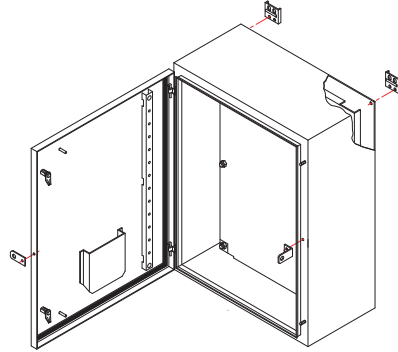
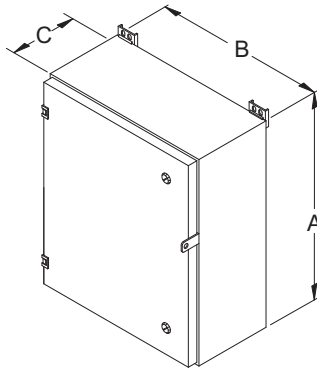
Also Available:

- Cutouts, hubs
- 316-4 stainless steel, aluminium and steel
- Special finishes

Standards:

- CSA certified 150359
- UL listed E109310
- CF





Application:

Type 4-4x-12 / IP-65 enclosure designed for INDOOR/OUTDOOR housing of electrical, pneumatic or hydraulic instruments.

Construction:

- 16 or 14 gauge steel
- Removable cover with seamless poured in place gasket
- Continuously welded and ground smooth seams
- Padlock hasp supplied
- Interchangeable left/right side cover opening
- Cover stabilizing bumpers
- 1/4 turn latches
- Grounding studs welded on inner cover surface
- Galvanized mounting rail
- Galvanized steel mounting panel (unpainted)
- Four (4) wall mounting brackets offering multiple installation positioning
- Self-adhesive polymer BEL data pocket
- ANSI/ASA61 grey polyester textured powder coating inside out

Also Available:

- Stainless steel and aluminium
- Cutouts, hubs, windows
- Special finishes & sizes
- Flush handle

Standards:

- CSA certified 150359
- UL listed E109310
- CE

TECHNICAL READOUT

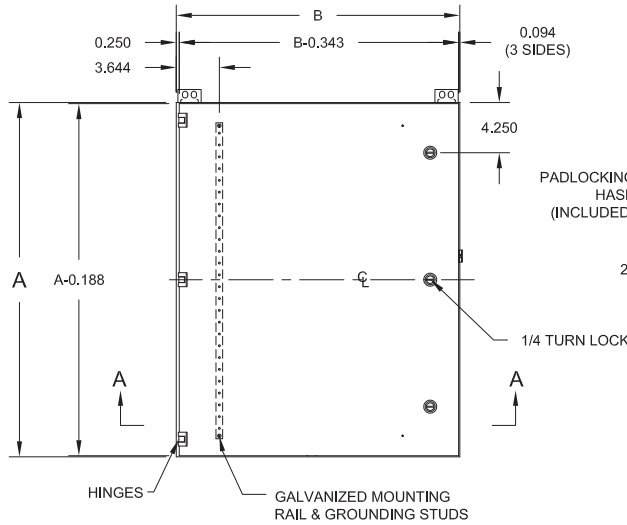
Catalog No.	Dimensions			Panel		Weight lbs
	A	B	C	E	F	
R122406	12	24	6	9 x	21	36
R161206	16	12	6	13 x	9	26
R161606	16	16	6	13 x	13	32
R162006	16	20	6	13 x	17	38
R201206	20	12	6	17 x	9	31
R201606	20	16	6	17 x	13	38
R202006	20	20	6	17 x	17	43
R202406	20	24	6	17 x	21	55
R241206	24	12	6	21 x	9	36
R241606	24	16	6	21 x	13	46
R242006	24	20	6	21 x	17	55
R242406	24	24	6	21 x	21	60
R301606	30	16	6	27 x	13	53
R302006	30	20	6	27 x	17	65
R302406	30	24	6	27 x	21	75
R362406	36	24	6	33 x	21	88
R363006	36	30	6	33 x	27	114
R122408	12	24	8	9 x	21	40
R161208	16	12	8	13 x	9	30
R161608	16	16	8	13 x	13	34
R162008	16	20	8	13 x	17	43
R201208	20	12	8	17 x	9	33
R201608	20	16	8	17 x	13	43
R202008	20	20	8	17 x	17	47
R202408	20	24	8	17 x	21	59
R241208	24	12	8	21 x	9	40
R241608	24	16	8	21 x	13	49
R242008	24	20	8	21 x	17	59
R242408	24	24	8	21 x	21	68
R243008	24	30	8	21 x	27	85
R301208	30	12	8	27 x	9	42
R301608	30	16	8	27 x	13	54
R302008	30	20	8	27 x	17	70
R302408	30	24	8	27 x	21	82
R303008	30	30	8	27 x	27	102
R303608	30	36	8	27 x	33	121
R362408	36	24	8	33 x	21	94
R363008	36	30	8	33 x	27	121
R363608	36	36	8	33 x	33	139
R422408	42	24	8	39 x	21	107
R423008	42	30	8	39 x	27	132
R423608	42	36	8	39 x	33	162
R482408	48	24	8	45 x	21	117
R483008	48	30	8	45 x	27	153
R483608	48	36	8	45 x	33	182
R603608	60	36	8	57 x	33	208

Catalog No.	Dimensions			Panel		Weight lbs
	A	B	C	E	F	
R161210	16	12	10	13 x	9	34
R201610	20	16	10	17 x	13	48
R202010	20	20	10	17 x	17	52
R241210	24	12	10	21 x	9	43
R242010	24	20	10	21 x	17	63
R242410	24	24	10	21 x	21	73
R302010	30	20	10	27 x	17	76
R302410	30	24	10	27 x	21	87
R362410	36	24	10	33 x	21	102
R363010	36	30	10	33 x	27	127
R423010	42	30	10	39 x	27	137
R423610	42	36	10	39 x	33	184
R483010	48	30	10	45 x	27	159
R483610	48	36	10	45 x	33	190
R603610	60	36	10	57 x	33	230
R201612	20	16	12	17 x	13	54
R242012	24	20	12	21 x	17	67
R242412	24	24	12	21 x	21	78
R302412	30	24	12	27 x	21	90
R303012	30	30	12	27 x	27	113
R362412	36	24	12	33 x	21	106
R363012	36	30	12	33 x	27	130
R363612	36	36	12	33 x	33	137
R423012	42	30	12	39 x	27	150
R423612	42	36	12	39 x	33	175
R483612	48	36	12	45 x	33	197
R603612	60	36	12	57 x	33	239
R723012	72	30	12	69 x	27	260
R723612	72	36	12	69 x	33	320
R242016	24	20	16	21 x	17	81
R242416	24	24	16	21 x	21	86
R302416	30	24	16	27 x	21	100
R363016	36	30	16	33 x	27	137
R423616	42	36	16	39 x	33	147
R483616	48	36	16	45 x	33	213
R603616	60	36	16	57 x	33	256
R723016	72	30	16	69 x	27	260
R723616	72	36	16	69 x	33	272
R302420	30	24	20	27 x	21	111
R363020	36	30	20	33 x	27	155
R483620	48	36	20	45 x	33	227
R603620	60	36	20	57 x	33	272
R723020	72	30	20	69 x	27	287
R302424	30	24	24	27 x	21	129
R723024	72	30	24	69 x	27	300

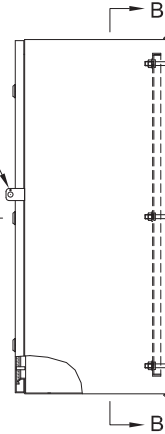


R Series

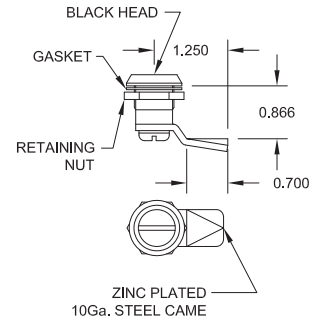
EEMAC / NEMA 4-4x-12 / IP-65 Single Door Enclosures



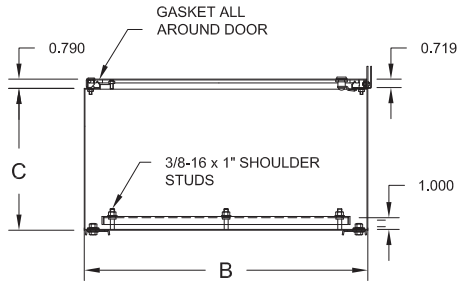
Front View



Side View

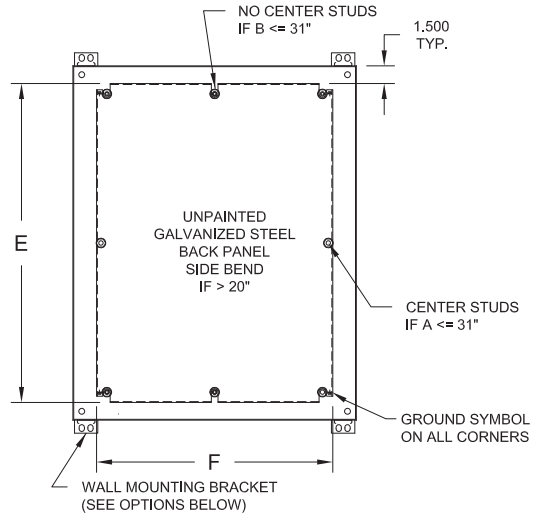


**Standard
1/4 Turn Lock
A14KR**

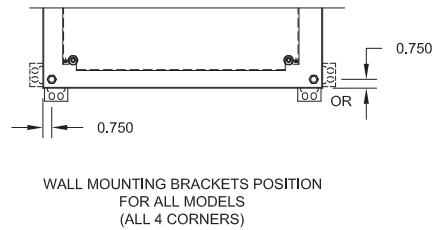
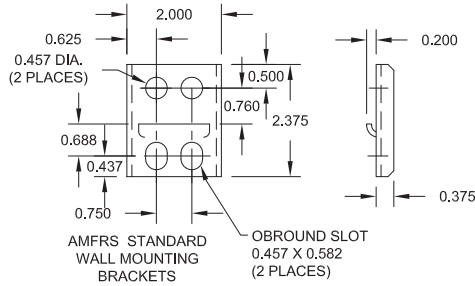


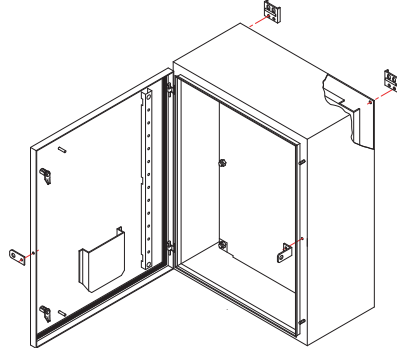
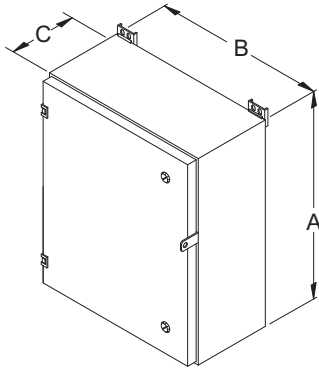
Section A-A

A	HINGES	LOCKS
0	2	1
24	2	2
36	3	2
42	3	3
48	3	3
60	4	3
72	4	3



Section B-B




TECHNICAL READOUT

Catalog No.	Dimensions			Panel		Weight lbs
	A	B	C	H	W	
R161206AL	16	12	6	13	x 9	14
R201606AL	20	16	6	17	x 13	21
R242006AL	24	20	6	21	x 17	24
R242408AL	24	24	8	21	x 21	33
R302408AL	30	24	8	27	x 21	46
R363008AL	36	30	8	33	x 27	49
R483608AL	48	36	8	45	x 33	99
R201610AL	20	16	10	17	x 13	26
R242010AL	24	20	10	21	x 17	38
R302412AL	30	24	12	27	x 21	46
R363012AL	36	30	12	33	x 27	55
R603612AL	60	36	12	57	x 33	118

Application:

Type 4-4x-12 / IP-65 aluminium enclosure designed for INDOOR/OUTDOOR housing of electrical, pneumatic or hydraulic instruments where corrosion is determining factor.

Construction:

- Quality utility grade aluminium
- Removable cover with seamless poured in place gasket, secured by 1/4 turn latches
- Continuously welded and ground smooth seams
- Padlock hasp supplied
- Interchangeable left/right side cover opening
- Cover stabilizing bumpers
- Grounding studs welded on inner cover surface
- Galvanized mounting rail
- Galvanized steel mounting panel (unpainted)
- Four (4) stainless wall mounting brackets offering multiple installation positioning
- Self-adhesive polymer BEL data pocket
- ANSI/ASA61 grey polyester textured powder coating inside out

Also Available:

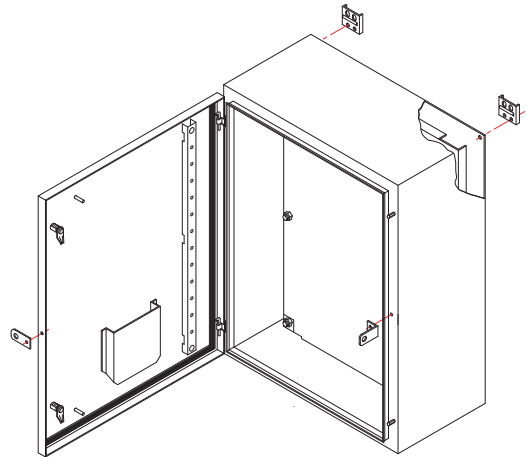
- Cutouts, hubs, windows
- Special finishes
- Flush handle
- Stainless steel and steel

Standards:

- CSA certified 150359
- UL listed E109310
- CE

TECHNICAL READOUT

Catalog No.	Dimensions			Panel		Weight lbs
	A	B	C	E	F	
R161206SS	16	12	6	13	x 9	26
R161606SS	16	16	6	13	x 13	32
R201606SS	20	16	6	17	x 13	38
R202006SS	20	20	6	17	x 17	43
R242006SS	24	20	6	21	x 17	55
R161208SS	16	12	8	13	x 9	30
R201608SS	20	16	8	17	x 13	43
R202008SS	20	20	8	17	x 17	47
R241608SS	24	16	8	21	x 13	49
R242008SS	24	20	8	21	x 17	59
R242408SS	24	24	8	21	x 21	68
R243008SS	24	30	8	21	x 27	85
R302008SS	30	20	8	27	x 17	70
R302408SS	30	24	8	27	x 21	82
R303008SS	30	30	8	27	x 27	102
R362408SS	36	24	8	33	x 21	94
R363008SS	36	30	8	33	x 27	121
R423608SS	42	36	8	39	x 33	162
R483608SS	48	36	8	45	x 33	182
R201610SS	20	16	10	17	x 13	48
R242010SS	24	20	10	21	x 17	63
R362410SS	36	24	10	33	x 21	102
R363010SS	36	30	10	33	x 27	127
R423010SS	42	30	10	39	x 27	137
R242412SS	24	24	12	21	x 21	78
R302412SS	30	24	12	27	x 21	90
R363012SS	36	30	12	33	x 27	130
R363612SS	36	36	12	33	x 33	137
R483612SS	48	36	12	45	x 33	197
R603612SS	60	36	12	57	x 33	239
R363016SS	36	30	16	33	x 27	137
R483616SS	48	36	16	45	x 33	213


Application:

Type 4-4x-12 / IP-65 stainless enclosure designed for INDOOR/OUTDOOR housing of electrical, pneumatic or hydraulic instruments where corrosion is a determining factor and where severe watering conditions prevail (dairies & breweries).

Construction:

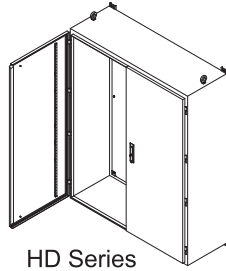
- 16 or 14 gauge 304-4 stainless steel
- Removable cover with seamless poured in place gasket
- Continuously welded and ground smooth seams
- Padlock hasp supplied
- Interchangeable left/right side cover opening
- Cover stabilizing bumpers
- Hinges and 1/4 turn latches made of stainless steel
- Grounding studs welded on inner cover surface
- Galvanized mounting rail
- Galvanized steel mounting panel (unpainted)
- Four (4) stainless wall mounting brackets offering multiple installation positioning
- Self-adhesive polymer BEL data pocket

Also Available:

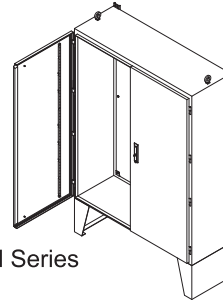
- Swing-out mounting panel kit
- Cutouts, hubs, windows
- Special finishes
- Flush handle
- 316-4 stainless steel, aluminium and steel

Standards:

- CSA certified 150359
- UL listed E109310



HD Series



HDM Series

TECHNICAL READOUT

Catalog No. Without Feet	With Feet	Dimensions			Panel		Weight	
		A	B	C	D	E	Without Feet	With Feet
HD544208	HDM544208	54	42	8	50	x 38	260	275
HD604808	HDM604808	60	48	8	56	x 44	425	440
HD604810	HDM604810	60	48	10	56	x 44	430	447
HD606010	HDM606010	60	60	10	56	x 56	520	537
HD726010	HDM726010	72	60	10	68	x 56	595	612
HD727210	HDM727210	72	72	10	68	x 68	710	736
HD484812	HDM484812	48	48	12	44	x 44	396	416
HD604812	HDM604812	60	48	12	56	x 44	456	476
HD606012	HDM606012	60	60	12	56	x 56	532	552
HD726012	HDM726012	72	60	12	68	x 56	615	635
HD727212	HDM727212	72	72	12	68	x 68	710	730
HD604816	HDM604816	60	48	16	56	x 44	480	504
HD606016	HDM606016	60	60	16	56	x 56	500	524
HD726016	HDM726016	72	60	16	68	x 56	700	724
HD727216	HDM727216	72	72	16	68	x 68	745	769
HD604820	HDM604820	60	48	20	56	x 44	456	486
HD726020	HDM726020	72	60	20	68	x 56	700	730
HD727220	HDM727220	72	72	20	68	x 68	855	885
HD604824	HDM604824	60	48	24	56	x 44	500	538
HD606024	HDM606024	60	60	24	56	x 56	600	638
HD726024	HDM726024	72	60	24	68	x 56	760	790
HD727224	HDM727224	72	72	24	68	x 68	890	928

Wide Models

HD244210	HDM244210	24	42	10	20	x 38	125	142
HD304210	HDM304210	30	42	10	26	x 38	150	167
HD364812	HDM364812	36	48	12	32	x 44	227	244

Application:

Type 12 enclosure designed to house and protect pneumatic, hydraulic or electrical equipment.

Construction:

- 14 or 12 steel gauge
- Slip hinges enabling door removal for easier access and mounting
- Seamless poured in place gasketed doors
- Continuously welded and ground smooth seams
- Three point lock flush handle
- Grounding stud on inner door surface and hole on back panel
- 2 or 4 lifting eye bolts
- 12 gauge galvanized back panel (HD7272 will be steel painted smooth white)
- Galvanized mounting rail
- Self-adhesive polymer BEL data pocket
- 12" high mounting feet on HDM model
- ANSI/ASA61 grey polyester textured powder coating inside out

Also Available:

- TYPE 3R and 4 construction (drip shield, stainless hinges)
- Cutouts, louvers, hubs and windows
- Set of rail for door mounting
- Aluminium, satin coat steel and stainless steel
- Special finishes & sizes
- Piano hinge

Standards:

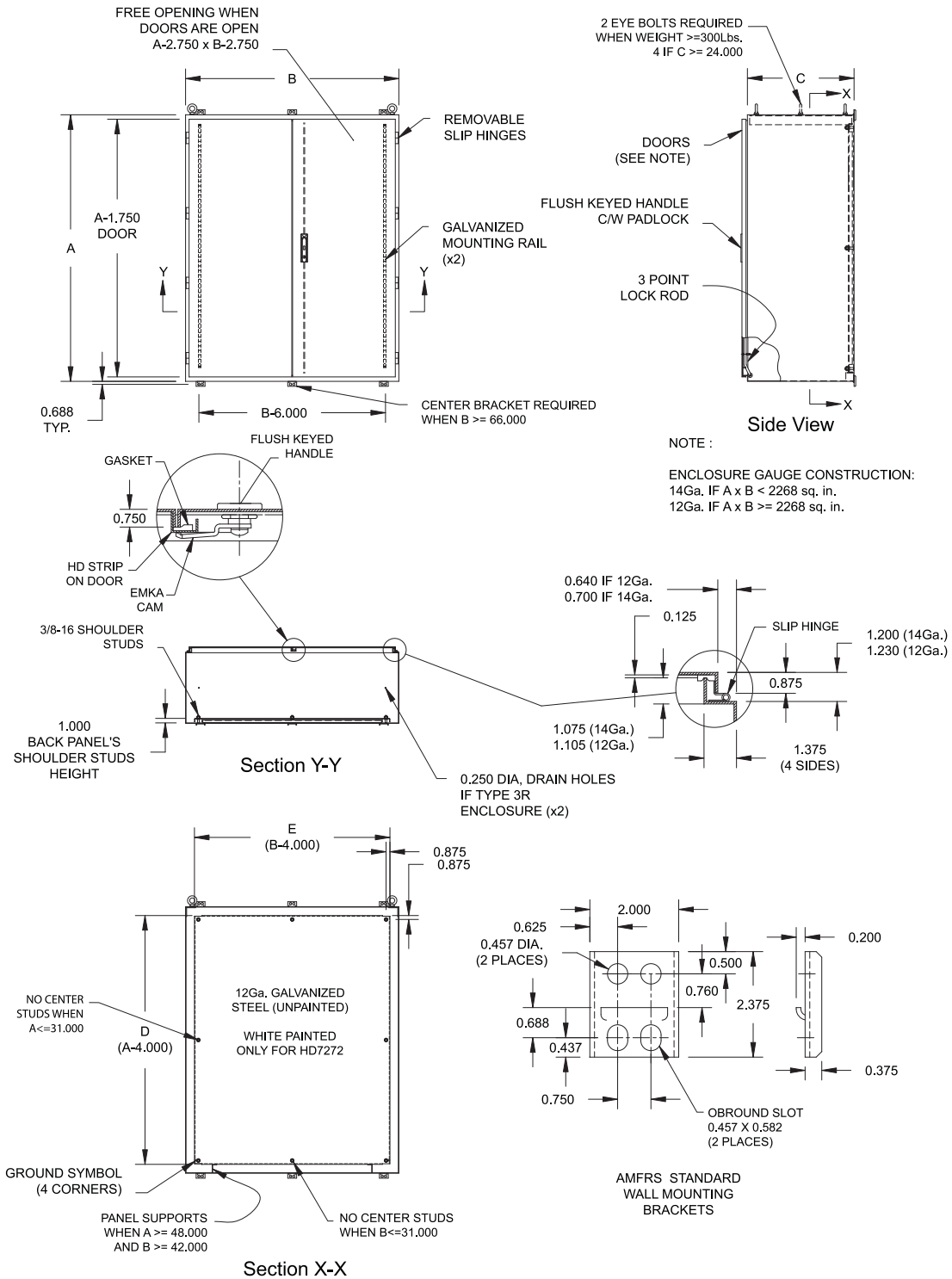
- CSA certified 150359
- UL listed E109310

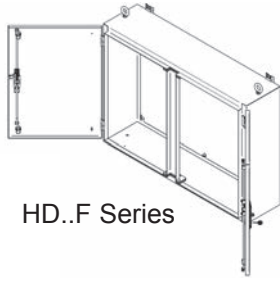




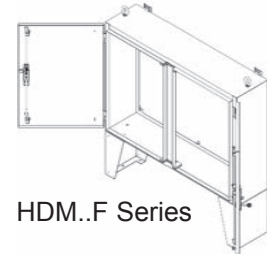
HD/HDM Series

EEMAC / NEMA 12 Double Door Enclosures





HD..F Series



HDM..F Series

TECHNICAL READOUT

Catalog No. Without Feet	With Feet	Dimensions			Panel		Weight	
		A	B	C	D	E	Without Feet	With Feet
HD544208F	HDM544208F	54	42	8	50	x 38	260	260
HD604808F	HDM604808F	60	48	8	56	x 44	425	425
HD604810F	HDM604810F	60	48	10	56	x 44	430	430
HD606010F	HDM606010F	60	60	10	56	x 56	520	520
HD726010F	HDM726010F	72	60	10	68	x 56	595	595
HD727210F	HDM727210F	72	72	10	68	x 68	710	710
HD484812F	HDM484812F	48	48	12	44	x 44	396	396
HD604812F	HDM604812F	60	48	12	56	x 44	456	456
HD606012F	HDM606012F	60	60	12	56	x 56	532	532
HD726012F	HDM726012F	72	60	12	68	x 56	615	615
HD727212F	HDM727212F	72	72	12	68	x 68	710	710
HD604816F	HDM604816F	60	48	16	56	x 44	480	480
HD606016F	HDM606016F	60	60	16	56	x 56	500	500
HD726016F	HDM726016F	72	60	16	68	x 56	700	700
HD727216F	HDM727216F	72	72	16	68	x 68	745	745
HD604820F	HDM604820F	60	48	20	56	x 44	456	456
HD726020F	HDM726020F	72	60	20	68	x 56	700	700
HD727220F	HDM727220F	72	72	20	68	x 68	855	855
HD604824F	HDM604824F	60	48	24	56	x 44	500	500
HD606024F	HDM606024F	60	60	24	56	x 56	600	600
HD726024F	HDM726024F	72	60	24	68	x 56	760	760
HD727224F	HDM727224F	72	72	24	68	x 68	890	890

Wide Models

HD244210F	HDM244210F	24	42	10	20	x 38	125	125
HD304210F	HDM304210F	30	42	10	26	x 38	150	150
HD364812F	HDM364812F	36	48	12	32	x 44	227	227

Application:

Type 4 enclosure designed to house and protect pneumatic, hydraulic or electrical equipment.

Construction:

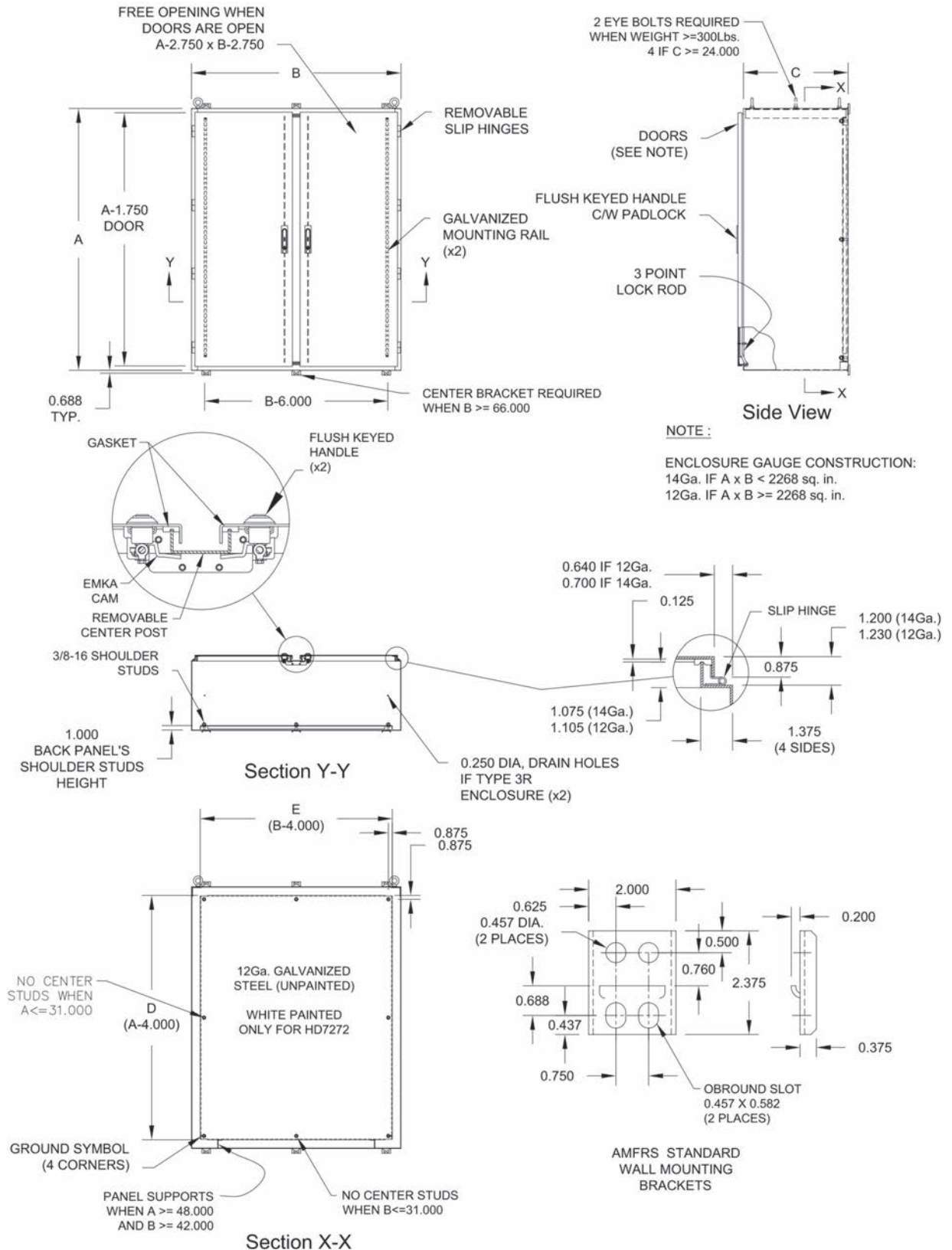
- 14 or 12 gauge satin coat steel
- Stainless steel slip hinges enabling door removal for easier access and mounting
- Seamless poured in place gasketed doors
- Continuously welded and ground smooth seams
- Three point lock flush handle on each door
- Grounding stud on inner door surface and hole on back panel
- 2 or 4 lifting eye bolts
- With removable center post
- 12 gauge galvanized panel (HD7272 will be steel painted smooth white)
- Galvanized mounting rail
- Self-adhesive polymer BEL data pocket
- 12" high mounting feet on HDM..F model
- ANSI/ASA61 grey polyester textured powder coating inside out

Also Available:

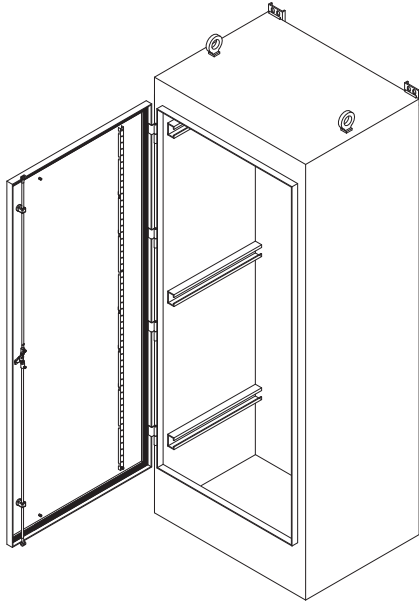
- TYPE 12 construction
- Cutouts, louvers, hubs and windows
- Set of rail for door mounting
- Stainless steel, aluminium or steel
- Special finishes & sizes
- Piano hinge

Standards:

- CSA certified 150359
- UL listed E109310



EEMAC / NEMA 12
Single Door Freestanding
Enclosures, Single Access



Application:

Type 12 enclosure designed for INDOOR protection of electrical and electronic controls, instruments and components.

Construction:

- 12 gauge steel
- Seamless poured in place gasketed door
- Continuously welded and ground smooth seams
- 2 or 4 lifting eye bolts
- Slip hinges enabling door removal for easier access and mounting
- Three point lock flush handle
- Galvanized mounting rail
- Grounding studs welded on inner cover surface and inside enclosure
- Horizontally welded channels on both sides for panel adjustment
- Possibility of half length (AFH model), full length (AFF model) or side mounting panel galvanized
- Self-adhesive polymer BEL data pocket
- ANSI/ASA61 grey polyester textured powder coating inside out

Also Available:

- Double door (add suffix FRSD)
- Dual access door (add suffix DA)
- Cutouts, louvers, hubs and windows
- Specific mounting panel adjustments
- Special finishes
- Stainless steel and aluminium

Standards:

- CSA certified 150359
- UL listed E109310

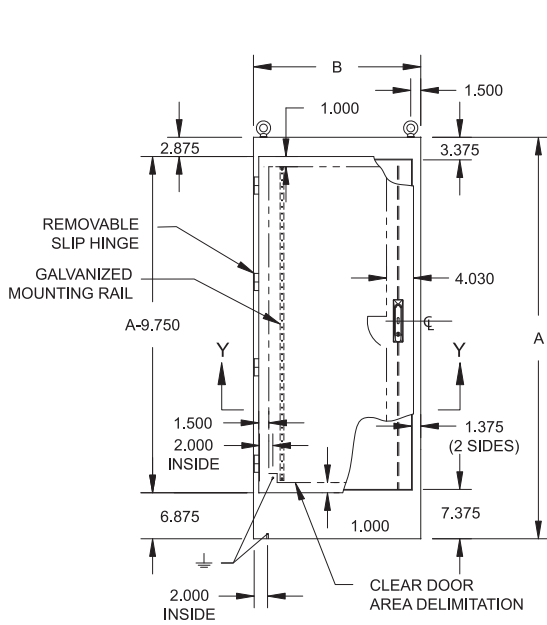
TECHNICAL READOUT

Catalog No.	Dimensions			Panel		Weight lbs
	A	B	C	E	G	
FRS602418	60	24	18	32.031	23.125	210
FRS722418	72	24	18	38.031	29.125	250
FRS723018	72	30	18	38.031	29.125	300
FRS723618	72	36	18	38.031	29.125	330
FRS902420	90	24	20	47.031	38.125	285
FRS903620	90	36	20	47.031	38.125	405
FRS603624	60	36	24	32.031	23.125	290
FRS722424	72	24	24	38.031	29.125	300
FRS723024	72	30	24	38.031	29.125	340
FRS723624	72	36	24	38.031	29.125	375
FRS903624	90	36	24	47.031	38.125	445
FRS722430	72	24	30	38.031	29.125	358
FRS723630	72	36	30	38.031	29.125	420
FRS722436	72	24	36	38.031	29.125	400
FRS723636	72	36	36	38.031	29.125	470
FRS903636	90	36	36	47.031	38.125	530

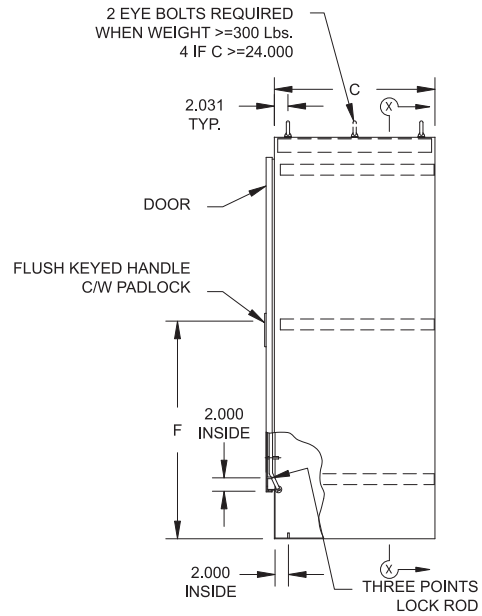


FRS Series

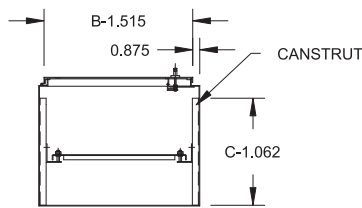
EEMAC / NEMA 12 Single Door Freestanding Enclosures, Single Access



Front View



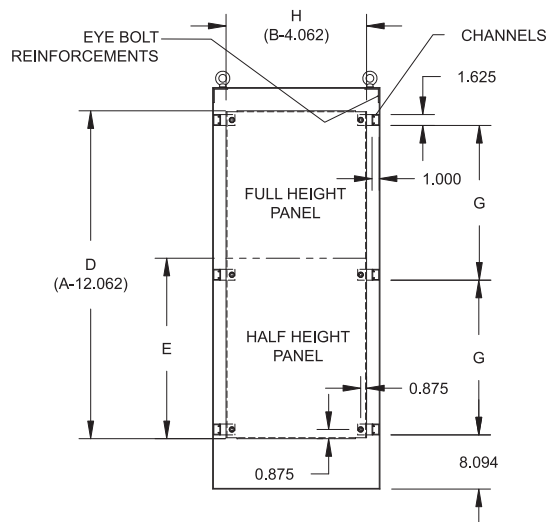
Side View



Section Y-Y

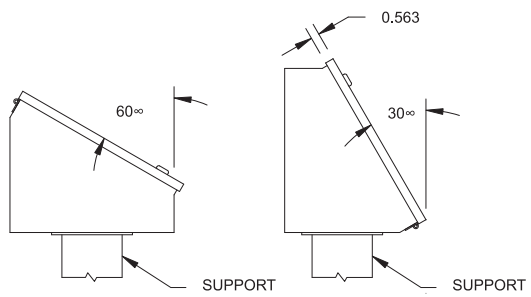
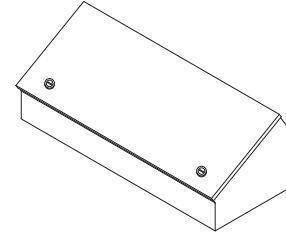
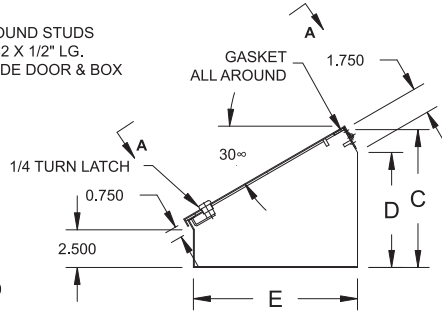
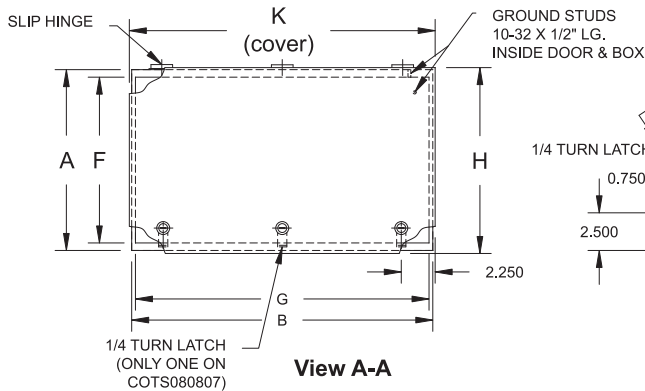
NOTE:
HALF PANEL FITS IN TOP HALF
OR BOTTOM HALF OF ENCLOSURE
(SHOWN IN BOTTOM HALF)

FOR "D, E & H" DIMENSIONS
SEE ACCESSORIES
SERIES "AFF & AFH"



Section X-X





Application:

Type 12 enclosure designed to protect electrical/electronic controls against dust, oil and coolants.

Construction:

- 16 gauge steel
- Welded and ground smooth seams
- Dust resistant gasket
- Removable cover secured by 1/4 turn latches
- ANSI/ASA61 grey polyester textured powder coating inside out

Also Available:

- Special cutouts, holes and finishes

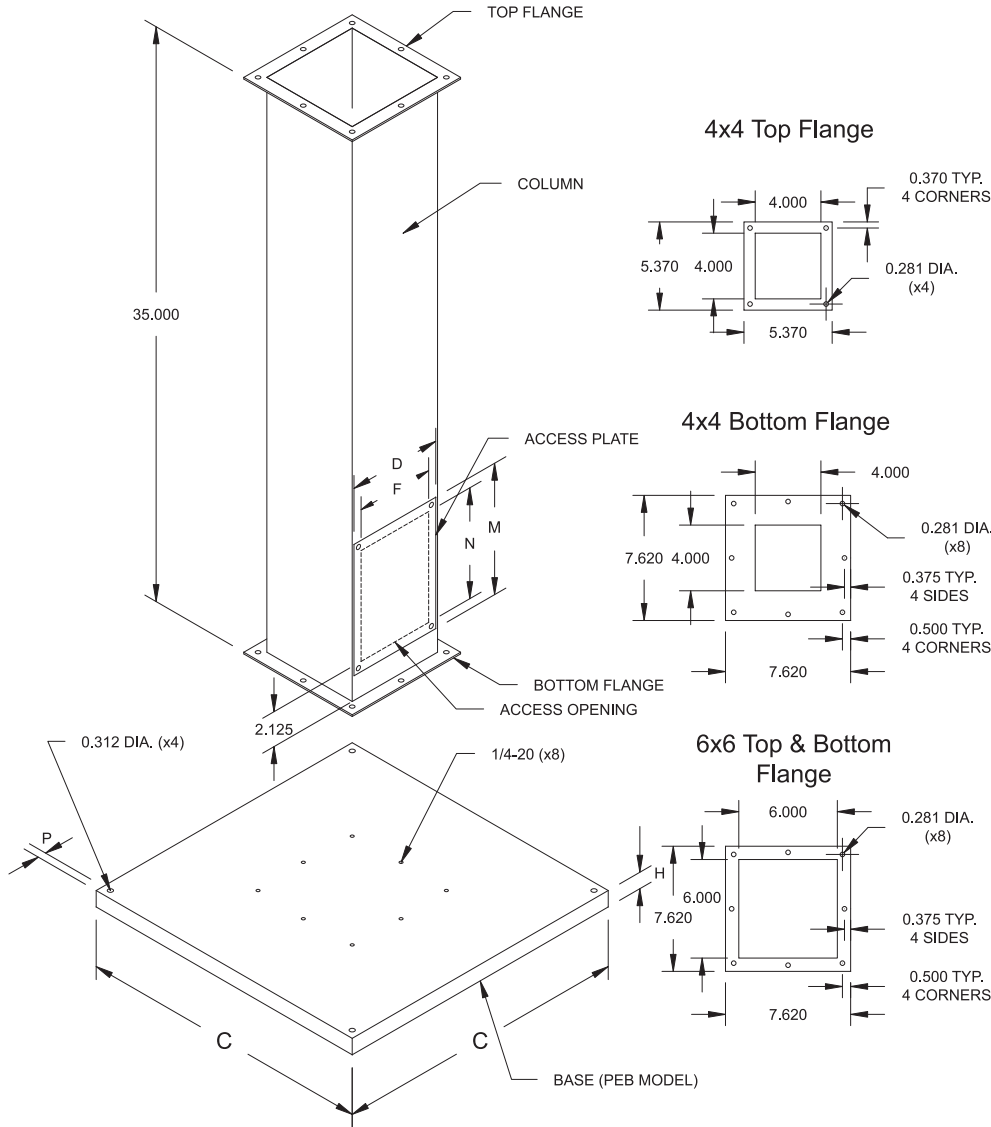
Standards:

- CSA certified 150359
- UL listed E109310

TECHNICAL READOUT

Catalogue No.	Dimensions									Qty. Locks	Qty. Hinges	Weight lbs.
	A	B	C	D	E	F	G	H	K			
COTS080807	8	8	7.151	5.635	7.427	7.000	7.500	8.335	8.314	1	2	9
COTS081207	8	12	7.151	5.635	7.427	7.000	11.500	8.335	12.314	2	2	11
COTS081607	8	16	7.151	5.635	7.427	7.000	15.500	8.335	16.314	2	2	13
COTS082007	8	20	7.151	5.635	7.427	7.000	19.500	8.335	20.314	2	2	15
COTS121209	12	12	9.151	7.635	10.891	11.000	11.500	12.335	12.314	2	2	16
COTS121609	12	16	9.151	7.635	10.891	11.000	15.500	12.335	16.314	2	2	19
COTS122009	12	20	9.151	7.635	10.891	11.000	19.500	12.335	20.314	2	2	24
COTS122409	12	24	9.151	7.635	10.891	11.000	23.500	12.335	24.314	2	2	26
COTS161611	16	16	11.151	9.635	14.355	15.000	15.500	16.335	16.314	2	2	26
COTS162011	16	20	11.151	9.635	14.355	15.000	19.500	16.335	20.314	2	2	30
COTS162411	16	24	11.151	9.635	14.355	15.000	23.500	16.335	24.314	2	2	39
COTS163011	16	30	11.151	9.635	14.355	15.000	29.500	16.335	30.314	2	2	45
COTS163611	16	36	11.151	9.635	14.355	15.000	35.500	16.335	36.314	2	3	44
COTS202013	20	20	13.151	11.635	17.820	19.000	19.500	20.335	20.314	2	2	37
COTS202413	20	24	13.151	11.635	17.820	19.000	23.500	20.335	24.314	2	2	44
COTS203013	20	30	13.151	11.635	17.820	19.000	29.500	20.335	30.314	2	2	47





Application:

Type 12 pedestal used to mount consoles and different types of enclosures. Wiring is pulled trough column and base.

Construction:

- 14 gauge steel
- Welded and ground smooth seams
- 12 gauge steel flanges welded to column
- Each column supplied with a box connector fitting, two (2) gasketed flanges and screws
- Gasketed access plate
- Built to EEMAC/NEMA 12 requirements
- ANSI/ASA61 grey polyester textured powder coating
- BASE - PEB (ordered seperately)
- 12 gauge steel
- Column mounting holes with levelling screws

Standards:

- CSA certified 150359
- UL listed E109310

TECHNICAL READOUT

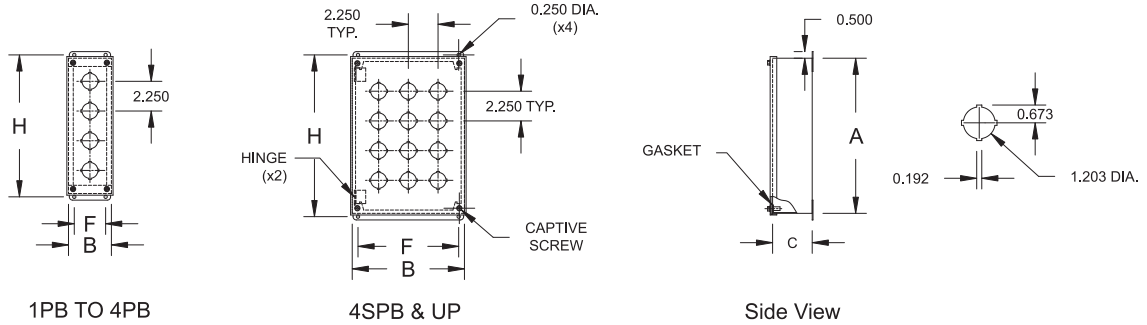
Catalog No.	Description	C	D	F	H	M	N	P	Weight lbs.
PESC040435	4 x 4 straight column	-	3.75	2.75	-	7.25	6.0	-	18
PESC060635	6 x 6 straight column	-	5.75	4.75	-	8.0	6.75	-	24
PEB181801	18 x 18 base	18.0	-	-	1.0	-	-	0.5	20
PEB242401	24 x 24 base	24.0	-	-	1.0	-	-	0.5	27





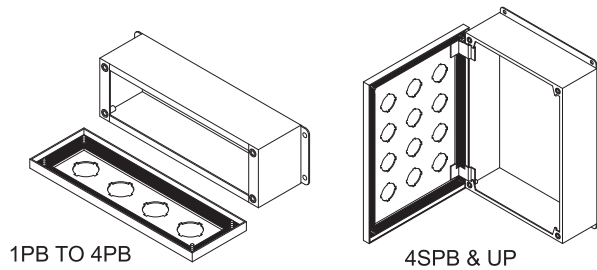
PB Series

EEMAC / NEMA 12 Pushbutton Enclosures



TECHNICAL READOUT

Catalog No.		Dimensions					Weight lbs.
with holes	without holes	A	B	C	H	F	
1PB	1PBC	3.50	3.25	2.75	4.00	2.375	1.75
2PB	2PBC	5.75	3.25	2.75	6.25	2.375	2.25
3PB	3PBC	8.00	3.25	2.75	8.50	2.375	3.00
4PB	4PBC	10.25	3.25	2.75	10.75	2.375	3.50
4SPB	4SPBC	7.25	6.25	3.00	7.75	5.375	4.50
6PB	6PBC	9.50	6.25	3.00	10.00	5.375	5.25
9PB	9PBC	9.50	8.50	3.00	10.00	7.625	6.50
12PB	12PBC	11.75	8.50	3.00	12.25	7.625	7.50
16PB	16PBC	11.75	10.75	3.00	12.25	9.875	9.00
20PB	20PBC	14.00	10.75	3.00	14.50	9.875	10.50
25PB	25PBC	14.00	13.00	3.00	14.50	12.125	12.00
30PB	30PBC	16.25	13.00	3.00	16.75	12.125	14.00
36PB	36PBC	16.25	15.25	3.00	16.75	14.375	16.00
42PB	42PBC	18.50	15.25	3.00	19.00	14.375	18.00



Application:

Type 12 enclosure designed to accept pushbuttons, switches and pilot lights.

Construction:

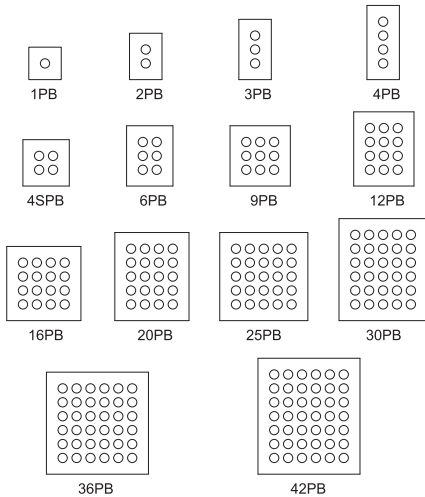
- 16 gauge steel
- Seamless poured in place gasketed cover
- Continuously welded and ground smooth seams
- Cover secured by captive nickel plated screws threaded into sealed wells
- ANSI/ASA61 grey polyester textured powder coating inside out

Also Available:

- Blank cover (add "C" as in 1PBC)
- 4 3/4 extra deep box (add "X" as in 1PBX)
- Hinged cover and/or sloping front
- Aluminium and stainless steel
- Special finishes

Standards:

- CSA certified 150359
- UL listed E109310



PB CONFIGURATION SAMPLES

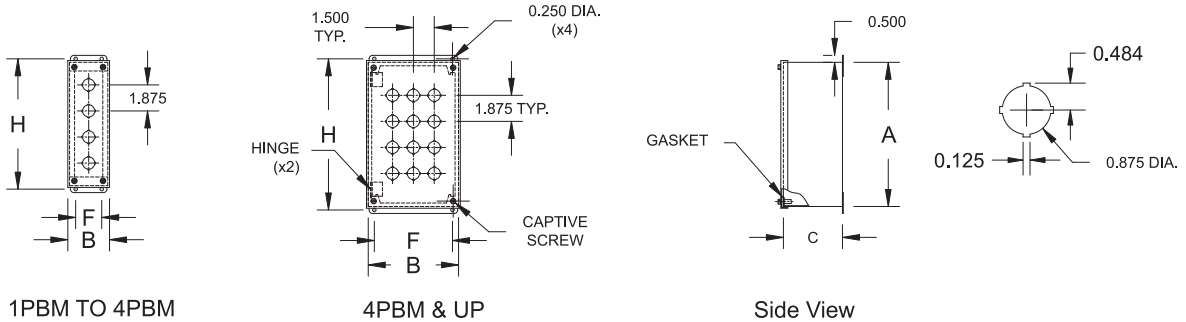




PBM Series

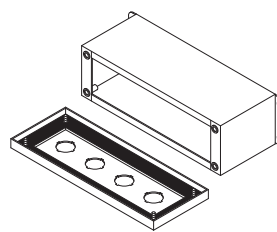
EEMAC / NEMA 12

Miniature Pushbutton Enclosures

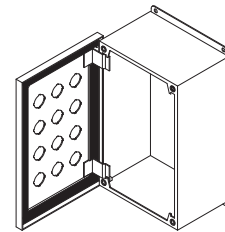


TECHNICAL READOUT

Catalog No. with holes	without holes	Dimensions					Weight lbs.
		A	B	C	H	F	
1PBM	1PBMC	3.25	2.75	3.50	3.750	1.875	1.75
2PBM	2PBMC	5.125	2.75	3.50	5.625	1.875	2.25
3PBM	3PBMC	7.00	2.75	3.50	7.500	1.875	3.00
4PBM	4PBMC	8.875	2.75	3.50	9.375	1.875	3.50
6PBM	6PBMC	8.50	5.00	4.25	9.000	4.125	5.25
9PBM	9PBMC	8.50	6.50	4.25	9.000	5.625	5.75
12PBM	12PBMC	10.375	6.50	4.25	10.875	5.625	6.00
16PBM	16PBMC	10.375	8.00	4.25	10.875	7.125	7.00
20PBM	20PBMC	12.250	8.00	4.25	12.750	7.125	8.00
25PBM	25PBMC	12.250	9.50	4.25	12.750	8.625	9.00
30PBM	30PBMC	14.125	9.50	4.25	14.625	8.625	10.00



1PBM TO 4PBM



4PBM & UP

Application:

Type 12 enclosure designed to accept MINIATURE pushbuttons, switches and pilot lights.

Construction:

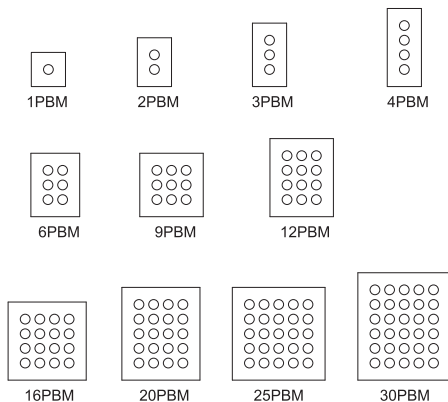
- 16 gauge steel
- Seamless poured in place gasketed cover
- Continuously welded and ground smooth seams
- Cover secured by captive nickel plated screws threaded into sealed wells
- Pre-punched 0.875" dia. pushbutton holes (22mm)
- ANSI/ASA61 grey polyester textured powder coating inside out

Also Available:

- Blank cover (add "C" as in 1PBMC)
- Hinged cover and/or sloping front
- Aluminium and stainless steel
- Special finishes

Standards:

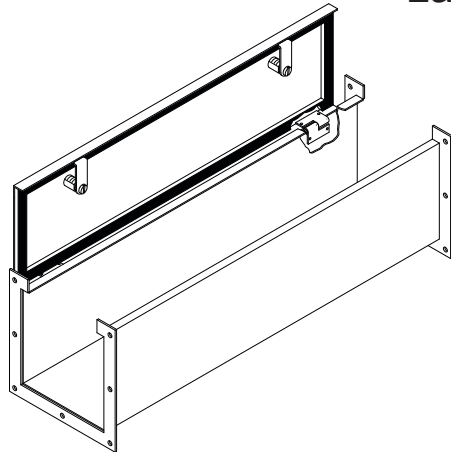
- CSA certified 150359
- UL listed E109310



PBM Configuration Samples



EEMAC / NEMA 12
Oil and Dust Tight
Lay-In Wireway



TECHNICAL READOUT

Description	2.5" x 2.5" Catalog No.	Weight lbs.	4" x 4" Catalog No.	Weight lbs.	6" x 6" Catalog No.	Weight lbs.	Sealing Plate (Qty.)
12" Wireway Section	BB21LD	3.5	BB41LD	5	BB61LD	7.5	1 Flat
24" Wireway Section	BB22LD	6.25	BB42LD	10	BB62LD	14	1 Flat
36" Wireway Section	BB23LD	9.25	BB43LD	13.75	BB63LD	20.75	1 Flat
48" Wireway Section	BB24LD	12	BB44LD	19.25	BB64LD	28	1 Flat
60" Wireway Section	BB25LD	29.25	BB45LD	23.75	BB65LD	34.5	1 Flat
120" Wireway Section	BB210LD	29.25	BB410LD	46.75	BB610LD	68.25	1 Flat

Accessories

90° Elbow Top Opening	BB290ET	1.25	BB490ET	2.75	BB690ET	5	1 Flat
90° Elbow Inside Opening	BB290EI	2.25	BB490EI	2.75	BB690EI	5	1 Flat
90° Elbow Outside Opening	BB290EO	2.25	BB490EO	2.75	BB690EO	5	1 Flat
45° Elbow Top Opening	BB245ET	2.25	BB445ET	2.25	BB645ET	3.5	1 Flat
45° Elbow Inside Opening	BB245EI	2.25	BB445EI	2.25	BB645EI	7.5	1 Flat
45° Elbow Outside Opening	BB245EO	2.25	BB445EO	2.25	BB645EO	3.5	1 Flat
Tee Fitting Top Opening	BB2TT	2.75	BB4TT	3.25	BB6TT	6	2 Flat
Tee Fitting Outside Opening	BB2TO	2.75	BB4TO	3.25	BB6TO	6	2 Flat
Closing Plate	BB2CP	0.25	BB4CP	0.5	BB6CP	1	1 Angle
Box Connector	BB2AD	0.25	BB4AD	0.25	BB6AD	0.5	1 Angle
Reducer			BB42R	2	BB64R	3	-
1" Nipple	BB2N1	0.75	BB4N1	1	BB6N1	1.5	1 Flat
2" Nipple	BB2N2	1	BB4N2	1.25	BB6N2	2	1 Flat
3" Nipple	BB2N3	1.25	BB4N3	1.75	BB6N3	2.75	1 Flat
Swivel Nipple Box Entry (not shown)	BB2SWL1	1	BB4SWL1	1.50	BB6SWL1	2	1 Angle
Swivel Nipple Regular (not shown)	BB2SWL2	1.25	BB4SWL2	1.75	BB6SWL2	2.75	2 Angle
Hanger	BB2H	0.75	BB4H	1	BB6H	1.25	-
Bracket Hanger	BB2HM	1.5	BB4HM	1.75	BB6HM	2	-
Flat Sealing Plate (not shown)	BB2FSP	0.25	BB4FSP	0.25	BB6FSP	0.5	-
Angle Sealing Plate (not shown)	BB2ASP	0.25	BB4ASP	0.25	BB6ASP	0.5	-
Cut-Off Fitting (lay-in)	BB2COF	4.25	BB4COF	6.25	BB6COF	9.25	1 Flat
Adjustable Fitting	BB2AF	2.5	BB4AF	3.5	BB6AF	5.75	1 Spec.
Junction Box	BB2JB	9.5	BB4JB	14.25	BB6JB	19.5	1 Flat
Cross Fitting Top Opening	BB2CFT	3	BB4CFT	5.5	BB6CFT	6.5	3 Flat
12" Clockwise transposition Section	BB2CC	3.5	BB4CC	5.25	BB6CC	7.75	1 Flat
12" Counter-Clock Transposition Section	BB2CRC	3.5	BB4CRC	5.25	BB6CRC	7.75	1 Flat

Application:

Type 12 enclosure designed for indoor use to protect electrical wiring against dust, dirt and oil.

Construction:

- 16 steel gauge
- Continuously welded and ground smooth seams
- Easy to install gasketed sealing plates
- 12 gauge interconnecting flanges (2 per length)
- 1/4 turn latches
- ANSI/ASA61 grey polyester textured powder coating inside out

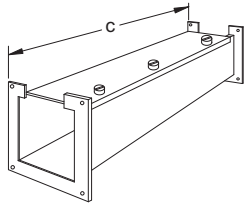
Also Available:

- Aluminium and stainless steel
- Cutouts, holes, hubs,
- Special finishes sizes

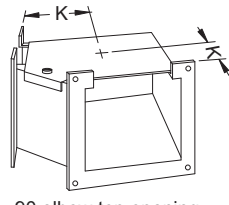


BB..LD Series

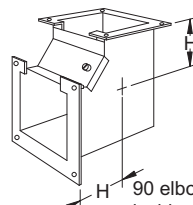
EEMAC / NEMA 12 Oil and Dust Tight Lay-In Wireway



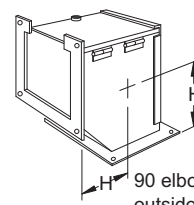
Straight Section



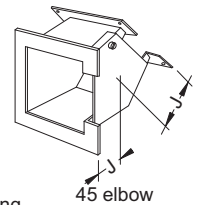
90 elbow top opening



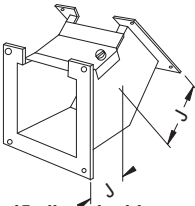
90 elbow inside opening



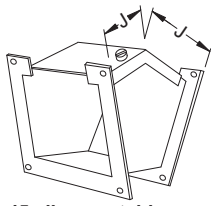
90 elbow outside opening



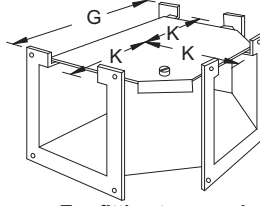
45 elbow top opening



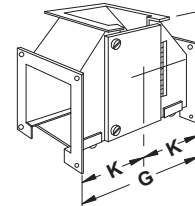
45 elbow inside opening



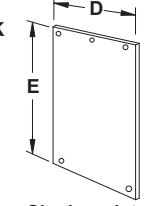
45 elbow outside opening



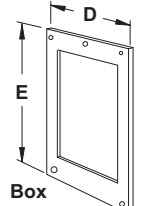
Tee fitting top opening



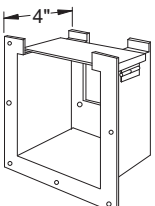
Tee fitting outside opening



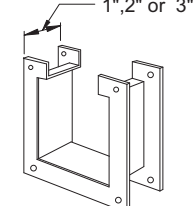
Closing plate



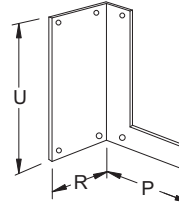
Box Connector



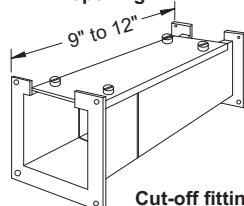
Reducer



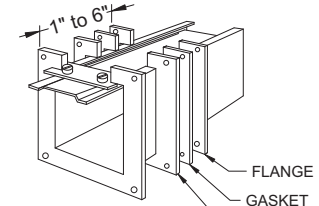
Nipple



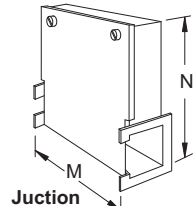
Bracker Hanger



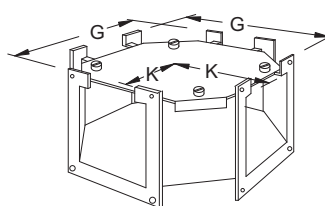
Cut-off fitting (lay-in)



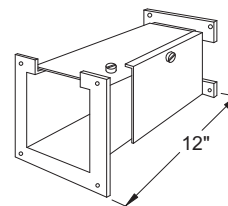
Adjustable fitting



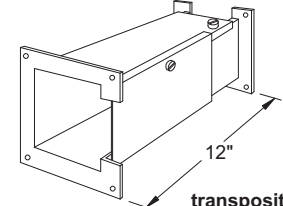
Junction Box



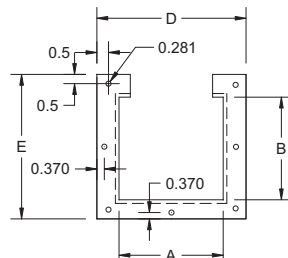
Cross fitting top opening



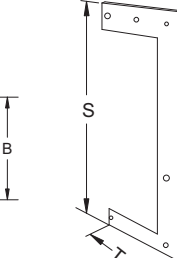
12" transposition clockwise



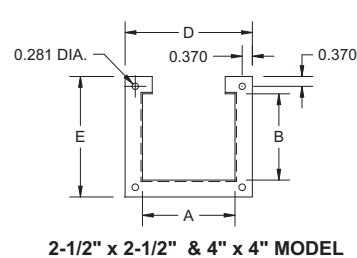
transposition counter-clockwise



6"x6" model



Drop hanger



2-1/2" x 2-1/2" & 4" x 4" MODEL

DUCT SIZE

A	B	C	D	E	G	H	J	K	M	N	P	R	S	T	U
2.500 x 2.500		12,24,36,48,60,120	3.875	3.875	8.500	4.25	2.275	4.25	12.000	10.25	4.625	3.597	9.25	4.500	4.375
4.000 x 4.000		12,24,36,48,60,120	5.375	5.375	10.000	5.000	2.586	5.000	14.000	13.875	6.125	3.597	11.75	6.000	5.875
6.000 x 6.000		12,24,36,48,60,120	7.625	7.625	12.000	6.000	3.000	6.000	16.000	17.875	8.25	3.597	15.25	8.125	7.875



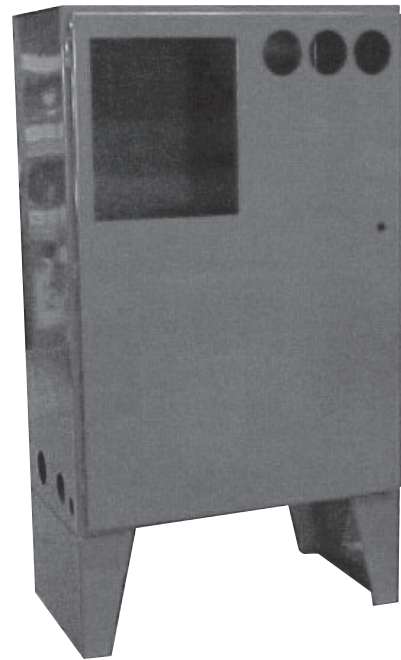
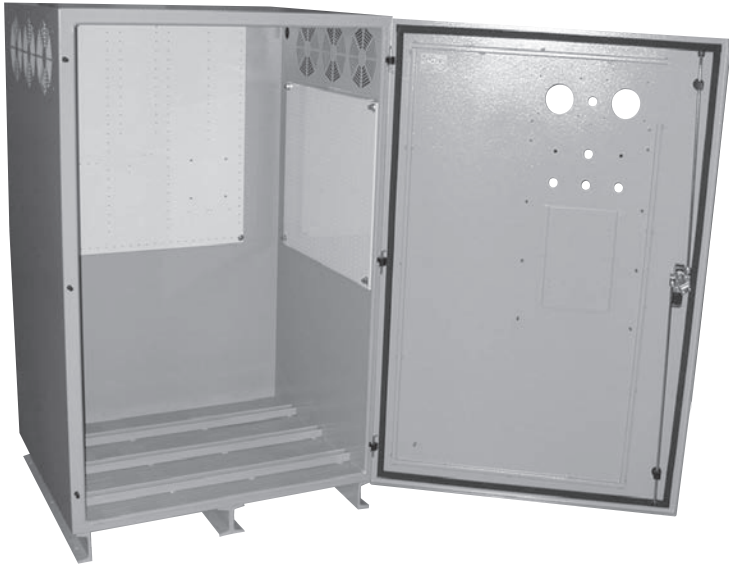


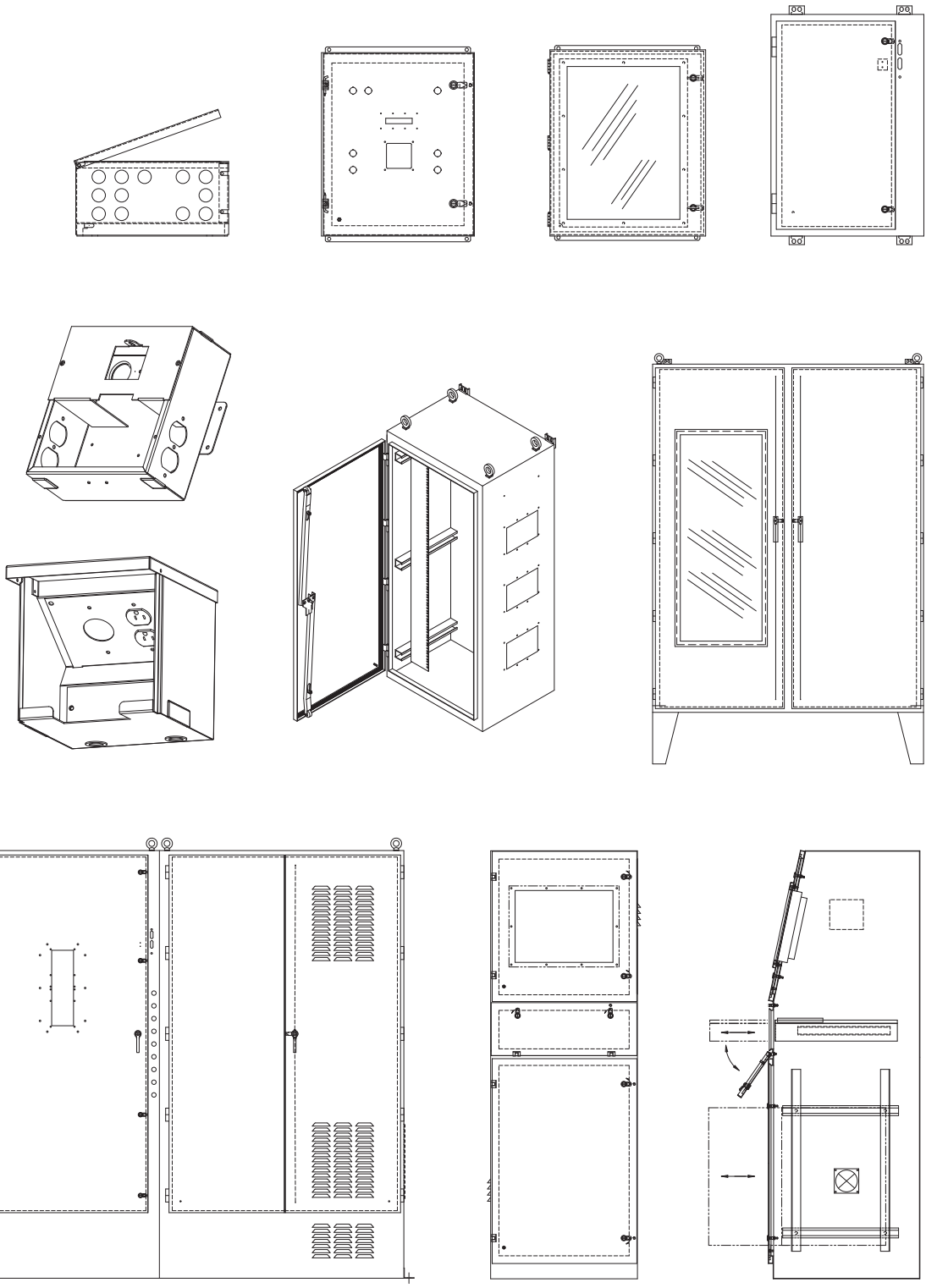
Custom

Bel Products

engineering team,
CAD / CAM technology,
numerically controlled
equipment and precision
robotic welders can
customize or adapt any
product to meet each
client's specific needs.









MORE EXAMPLES OF BEL PRODUCTS CAPACITY TO BUILD AN ENCLOSURE TO YOUR SPECIFICATIONS

The computer angle station offers a full-featured, ready-to-use solution to protect computer systems in an industrial environment. The enclosure could include an upper front window door, lower front solid door, shelves for computer and printer, and a keyboard compartment.



The oil and dust tight JR enclosure is designed to house a computer right on site, where the action is... The enclosure could include a special frame to accommodate a 19" or 24" rack equipment.



Accessories

- ◇ Spare Inner Panels
- ◇ Window Kits / Mounting Feet
- ◇ Special Handles
- ◇ Mounting Hardware
- ◇ Swing Out Panel
- ◇ Drip Shields / Vent Plate
- ◇ Grounding Kits
- ◇ Polyester Insulators





TECHNICAL READOUT

Catalog No.	Box Size		Panel Size		Weight lbs.
	Height	Width	Height	Width	
AKP2016	20	x 16	19.85	x 15.85	8
AKP2020	20	x 20	19.85	x 19.85	10
AKP2420	24	x 20	23.85	x 19.85	13
AKP2424	24	x 24	22	x 22	15
AKP3020	30	x 20	28	x 18	16
AKP3024	30	x 24	28	x 22	19
AKP3624	36	x 24	34	x 22	23
AKP3630	36	x 30	34	x 28	29
AKP4224	42	x 24	40	x 22	27
AKP4230	42	x 30	40	x 28	35
AKP4236	42	x 36	40	x 34	42
AKP4836	48	x 36	46	x 34	47

**AKP SERIES
Spare inner panels
for all K enclosures**

- Made from 14 and 12 gauge galvanized steel depending on sizes
- Galvanized natural finish (unpainted)

TECHNICAL READOUT

Catalog No.	Box Size		Panel Size		Weight lbs.
	Height	Width	Height	Width	
AMCP2713	27	x 13	23	x 9	6
AMCP2020	20	x 20	16	x 16	7
AMCP3020	30	x 20	26	x 16	11
AMCP3030	30	x 30	26	x 26	18
AMCP3636	36	x 36	32	x 32	31
AMCP4848	48	x 48	44	x 44	46

**AMCP SERIES
Spare inner panels
for all MC enclosures**

- Made from 16 and 14 gauge steel
- ANSI/ASA61 grey polyester textured powder coating inside out
- Supplied with on grounding screw





TECHNICAL READOUT

Catalog No.	Box Size		Panel Size		Weight lbs.
	Height	Width	Height	Width	
ASP0604	6	x 4	4.875	x 2.875	0.5
ASP0606	6	x 6	4.875	x 4.875	0.75
ASP0806	8	x 6	6.875	x 4.875	1
ASP0808	8	x 8	6.875	x 6.875	1.25
ASP1008	10	x 8	8.875	x 6.875	1.5
ASP1010	10	x 10	8.875	x 8.875	2
ASP1210	12	x 10	10.875	x 8.875	2.25
ASP1212	12	x 12	10.875	x 10.875	2.75
ASP1412	14	x 12	12.875	x 10.875	3.25
ASP1614	16	x 14	14.875	x 12.875	4.25
ASP2012	20	x 12	18.875	x 10.875	4
ASP2016	20	x 16	18.875	x 14.875	5
ASP2412	24	x 12	22.875	x 10.875	5
ASP2416	24	x 16	22.875	x 14.875	6
ASP2420	24	x 20	22.875	x 18.875	8

ASP SERIES

Spare inner panels for all S enclosures

- Made from 14 gauge galvanized steel. Natural finish (unpainted)
- All panels have four mounting holes
- Ground symbols and holes

TECHNICAL READOUT

Catalog No.	Box Size		Panel Size		Weight lbs.
	Height	Width	Height	Width	
ARP1612	16	x 12	13	x 9	3.75
ARP1616	16	x 16	13	x 13	5.25
ARP2012	20	x 12	17	x 9	4.75
ARP2016	20	x 16	17	x 13	6.75
ARP2020	20	X 20	17	X 17	10
ARP2412	24	X 12	21	X 9	6.5
ARP2416	24	X 16	21	X 13	9
ARP2420	24	X 20	21	X 17	12
ARP2424	24	X 24	21	X 21	15
ARP3012	30	X 12	27	X 9	9
ARP3016	30	X 16	27	X 13	12
ARP3020	30	X 20	27	X 17	16
ARP3024	30	X 24	27	X 21	18
ARP3030	30	X 30	27	X 27	24
ARP3624	36	X 24	33	X 21	23
ARP3630	36	X 30	33	X 27	28
ARP3636	36	X 36	33	X 33	34
ARP4224	42	X 24	39	X 21	27
ARP4230	42	X 30	39	X 27	35
ARP4236	42	X 36	39	X 33	42
ARP4824	48	X 24	45	X 21	31
ARP4830	48	X 30	45	X 27	41
ARP4836	48	X 36	45	X 33	49
ARP6036	60	X 36	57	X 33	60
ARP7230	72	X 30	69	X 27	61
ARP7236	72	X 36	69	X 33	74

ARP SERIES

Spare inner panels for all R enclosures

- Made from 14 and 12 gauge galvanized steel. Natural finish (unpainted)
- All panels have 4 or 6 or 8 mounting holes all depend of the size
- Ground symbols and holes





TECHNICAL READOUT

Catalog No.	Box Size		Panel Size		Weight lbs.
	Height	Width	Height	Width	
AHDP2442	24	x 42	20	x 38	26
AHDP3042	30	x 42	26	x 38	36
AHDP3648	36	x 48	32	x 44	50
AHDP4848	48	x 48	44	x 44	58
AHDP5442	54	x 42	50	x 38	80
AHDP6048	60	x 48	56	x 44	103
AHDP6060	60	x 60	56	x 56	130
AHDP7260	72	x 60	68	x 56	157
AHDP7272	72	x 72	68	x 68	192

AHDP SERIES

Application:

Spare inner panels for all HD double door enclosures

Construction:

- Made from 12 gauge Galvanized steel unpainted
- Ground symbols and holes. (AHDP7272 will be 12 gauge steel painted white polyester powder coating)

TECHNICAL READOUT

Catalog No.	Description	Cabinet Size		Panel Size		Weight lbs.
		Height	Width	Height	Width	
AFH6024	half height	60	x 24	24.875x	20	15.6
AFF6024	full height	60	x 24	48	x 20	29.9
AFH7224	half height	72	x 24	30.875x	20	19.3
AFF7224	full height	72	x 24	60	x 20	37.4
AFH9024	half height	90	x 24	39.875x	20	24.9
AFF9024	full height	90	x 24	78	x 20	48.5
AFH7230	half height	72	x 30	30.875x	26	25.0
AFF7230	full height	72	x 30	60	x 26	48.3
AFH6036	half height	60	x 36	24.875x	32	24.8
AFF6036	full height	60	x 36	48	x 32	47.5
AFH7236	half height	72	x 36	30.875x	32	30.7
AFF7236	full height	72	x 36	60	x 32	59.2
AFH9036	half height	90	x 36	39.875x	32	30.7
AFF9036	full height	90	x 36	78	x 32	76.9

AFF& AFH SERIES

Application:

Spare inner panels for FRS series, single door enclosures

Construction:

- Made from 12 gauge Galvanized steel unpainted
- Ground symbols and holes.

TECHNICAL READOUT

Catalog No.	Cabinet Height	Panel Size		Weight lbs
		Height	Width	
AFFSP6024	60	48	x 14	21
AFFSP6036	60	48	x 26	38
AFFSP7224	72	60	x 14	26
AFFSP7230	72	60	x 20	36
AFFSP7236	72	60	x 26	47
AFFSP9024	90	78	x 14	33
AFFSP9036	90	78	x 26	61

AFFSP SERIES

Application:

Side mounted panels for FRS series, single door enclosures

Construction:

- Made from 12 gauge Galvanized steel unpainted
- Ground symbols and holes
- Flat construction.

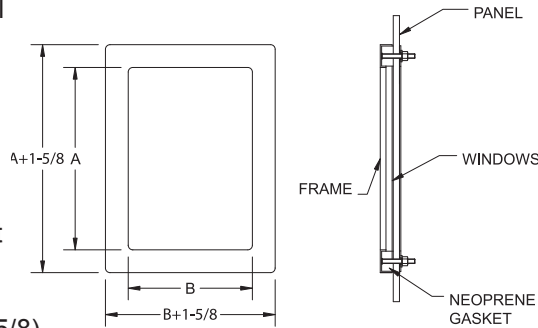




AWK SERIES

Window kits

- Frame made with heavy gauge steel
- 1/4" thick clear polycarbonate (lexan)
- Shipped complete with all mounting hardware
- Water-tight gasket
- Recommended cut-out size $(A+1-5/8) \times (B+1-5/8)$
- Be sure to allow space for door handles, door stiffeners, print pockets or other items attached to the door when determining if a window kit fit in a door
- Custom sizes, materials and finishes available upon request
- ANSI/ASA61 grey polyester textured coating over a phosphatized base
- Stainless steel on request (Ex. AWK..SS)



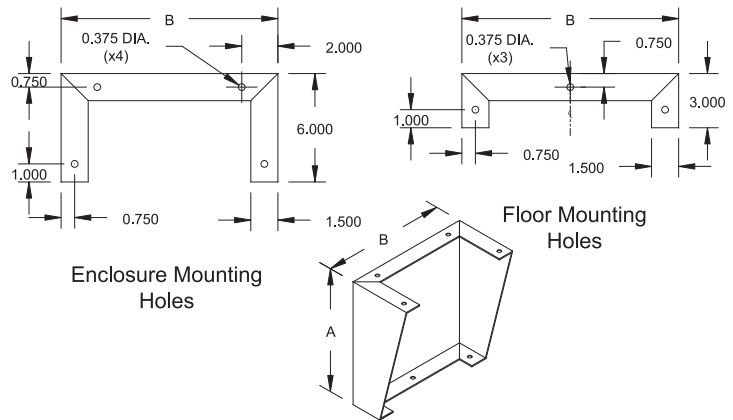
TECHNICAL READOUT

Catalog No.	A	B	FRAME (A+1-5/8)x(B+1-5/8)		Weight lbs
AWK53	5	3	7.5	5.5	1.4
AWK95	9	5	11.5	7.5	2.8
AWK1010	10	10	12.5	12.5	6.3
AWK1212	12	12	14.5	14.5	7.5
AWK133	13	3	15.5	5.5	3.3
AWK138	13	8	15.5	10.5	4.3
AWK175	17	5	19.5	7.5	4.9
AWK1711	17	11	19.5	13.5	6.4
AWK2315	23	15	25.5	17.5	9.2
AWK2919	29	19	31.5	21.5	13.3
AWK3523	35	23	37.5	25.5	17.1

AMF SERIES

Mounting feet kits (pair)

- Made with heavy gauge steel
- ANSI/ASA61 grey polyester textured coating
- Suitable for R and HD enclosures
- Shipped complete with two (2) mounting feet and bolts for field installation
- Other sizes on request



HOW TO ORDER

- height of feet requires = 12", depth of enclosure - 6", mounting feet cat. no. is then AMF 1206

TECHNICAL READOUT

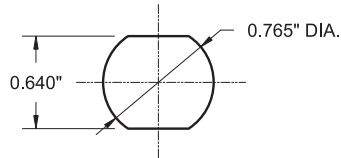
Depth "B"	Mounting Feet Height "A"									
	6"		12"		15"		18"		24"	
	Catalog No.	Weight	Catalog No.	Weight	Catalog No.	Weight	Catalog No.	Weight	Catalog No.	Weight
6	AMF0606	7.3	AMF1206	12.6	AMF1506	15.2	AMF1806	17.9	AMF2406	23.1
8	AMF0608	8.4	AMF1208	14.4	AMF1508	17.4	AMF1808	20.3	AMF2408	26.3
10	AMF0610	9.4	AMF1210	16.1	AMF1510	19.5	AMF1810	22.8	AMF2410	29.5
12	AMF0612	10.4	AMF1212	17.9	AMF1512	21.6	AMF1812	25.3	AMF2412	32.7
16	AMF0616	12.5	AMF1216	21.4	AMF1516	25.8	AMF1816	30.3	AMF2416	39.1
20	AMF0620	14.6	AMF1220	24.9	AMF1520	30.1	AMF1820	35.2	AMF2420	45.5
24	AMF0624	16.7	AMF1224	28.4	AMF1524	34.3	AMF1824	40.2	AMF2424	51.9





Accessories

Special Handles



Quarter turn standard cut out, for A11KK, A16KS, A12KTC, A15KR and A15KRK

Cat. No. A11KK

Flush Lock Kits 1/4 Turn Latch

- Used on K Series
- High quality black zinc plated
- Supply with latch and clip for easy field installation
- Rated NEMA 1



Cat. No. A16KS/A16KS-SS

Flush Lock Kits 1/4 Turn Latch

- Used on S Series
- High quality black zinc plated for A16KS and stainless steel for A16KS-SS
- Supplied with latch gasket, nut and O-ring gasket for field installation
- Rated NEMA 12-4



Cat. No. A16KSK

Flush Key Lock Kit

- Used for S Series
- High quality black zinc plated
- Supply with latch gasket, nut and O-ring gasket for field installation
- Rated NEMA 12-3R



Cat. No. A12KTC

Flush Key Lock Kit 1/4 Turn Latch

- Used on TCS, TCF, EUKO and K Series
- High quality black zinc plated
- Supplied with latch and clip for easy field installation
- General purpose application only
- Rated NEMA 1



Cat. No. A14K

Toggle Pull Latch

- Made from steel, zinc plated
- Provides a provision for padlock
- To be mounted externally, suitable for oil-tight enclosures
- Rated NEMA 12-4



Cat. No. A15KR/A15KR-SS

Flush Lock Kit 1/4 Turn Latch

- Used on R Series
- High quality black zinc plated for A15KR and stainless steel for A15KR-SS
- Supplied with latch gasket, nut and O-ring gasket for field installation
- Rated NEMA 12-4



Cat. No. A15KRK

Flush Key Lock Kit

- Used on R Series
- High quality black zinc plated
- Rated NEMA 12-3R

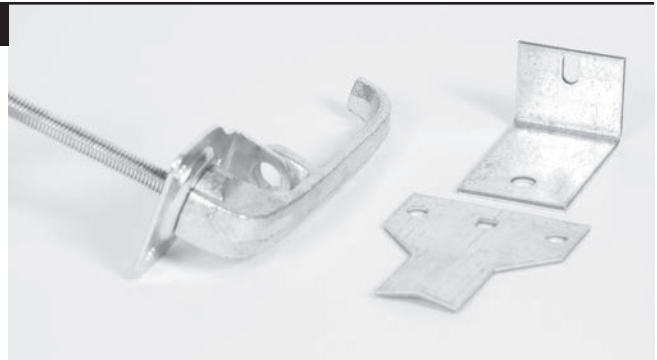


Three-Point Lock Automotive Type Handles

Cat. No. A8K

Padlocking Vault Handle Kit

- 6" long cadmium plated handle
- 3.25" long shaft
- Shipped complete with latch, nuts and bolts for field installation
- May be used for oil-tight or weather-proof applications; not suitable for water-tight applications
- Can be factory installed; specify suffix "F" (Ex. A8F)
- Rated NEMA 12-3R



Cat. No. A10K

Automotive Locking Handle Kit

- 3.75" long chrome plated handle and flange
- 3" long latch shaft
- One single type of key
- May be used for oil-tight or weather-proof applications; not suitable for water-tight applications
- Supplied with latch and screws for field installation
- Can be factory installed; specify suffix "F" instead of "K" (Ex. A10F)
- Rated NEMA 12-3R



Cat. No. A10K3 - A8K3

Automotive Three Point Lock Kit

- Same type handle and A10K - A8K, plus top and bottom nylon rollers latch bars
- Shipped complete with all necessary hardware for field installation
- Enclosure catalog no. must be specified when ordering A10K3 or A8K3 handle
- May be used for oil-tight or weather-proof applications not suitable for water-tight applications
- Can be factory installed; specify "F" instead of "K" (Ex. A10F3 or A8F3)
- Rated NEMA 12-3R



Cat No. AMK – AMK3

Enclosure flush handle

- Single or 3 points lock
- Designed for type 4-12 enclosures
- Complete with key and padlock rings.
- Two keys provided
- Finish textured black
- Rated NEMA 4-12



Cat. No. AHD108K

HEAVY DUTY LATCH

- Single point lock
- Rated NEMA 4-12
- Padlocking handle



Cat. No. AHD108K3

HEAVY DUTY LATCH

- Three points lock
- Rated NEMA 4-12
- Padlocking handle



Cat. No. AHD110K

HEAVY DUTY LATCH

- Single point lock
- Two keys provided
- Rated NEMA 4-12
- Keyed handle
- C/W padlocking hasp



Cat. No. AHD110K3

HEAVY DUTY LATCH

- Three points lock
- Two keys provided
- Rated NEMA 4-12
- Keyed handle
- C/W padlocking hasp



Cat. No. AMFRS / AMFRSS

External Mounting Feet

- Made from galvanized steel, for AMFRS
- Made from stainless #304 for AMFRSS
- To be mounted externally; suitable for water- / oil-tight enclosures
- Standard with every "R" enclosure
- Supplied with all necessary hardware for field installation



Cat. No. APRS / APRSS

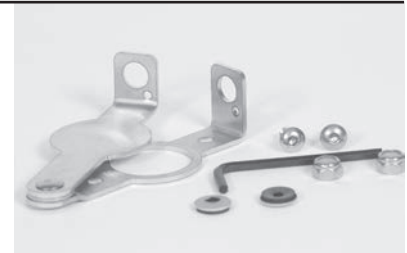
Provision for Padlocks

- Made from galvanized steel for APRS
- Made from stainless steel #304 for APRSS
- Provides a provision for padlocks
- Standard with every "R" and "AMC" enclosure
- To be mounted externally; suitable for water- / oil-tight enclosures
- Supplied with all necessary hardware for field installation



Cat No. AGPSRK

- Padlock adapter fits directly over the slotted quarter turn preventing access.
- 2mm thick 14 gauge stainless steel.
- Stainless steel mounting hardware provided.
- Once installed, the bolts cannot be removed without the door open.
- Easy installed in the field.
- Maintains UL/CSA Type 4 rating



Cat. No. AMR

- Galvanized mounting rails unpainted, for R, HD and FRS series
- Perforated and slotted, for easy wiring installation.
- AMR-R, AMR-HD or AMR-FRS enclosures, add H for horizontal or V for vertical mounting rail. (AMR-RH or AMR -RV)
- Call factory for sizes and prices.



Cat. No. ALEK

Lifting Eyes Kits (Pair)

- 1/2 - 13 lifting eyes used on **BEL** large enclosures
- Sold by pair complete with flat seal washers and nuts
- Lifting capacity approximately 2500 lb each
- Can be factory installed (specify "F" instead of "K"; Ex. ALEF)



Cat. No. AGK4

EEMAC/NEMA 4 Gasket Kit

- 0.25" x 0.75" x 25" cellular gasket
- Self adhesive
- Used in **BEL** EEMAC/NEMA 4-12-3R enclosures

Cat. No. AHR / AHR-SS

Hinges for R Series

- Used for R Series
- Made of steel, zinc plated for AHR
- Made from stainless steel #304 for AHR-SS

Cat. No. APG / APW

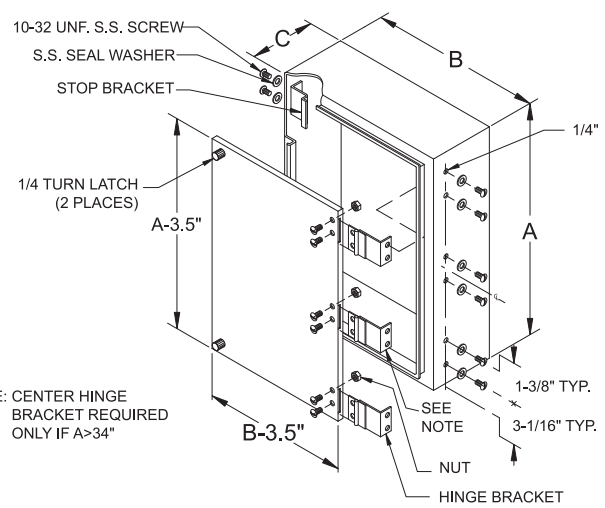
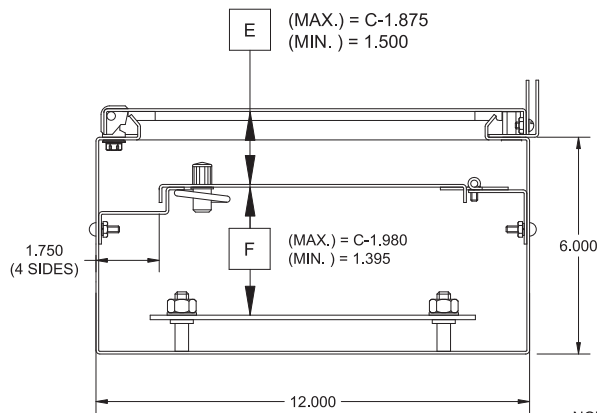
Spray Paint

- Gray paint "APG" (spray can)
- White paint "APW" (spray can)

Cat. No. ASIL

Silicone

- Silicone provided for EEMAC requirement
- Standard with ADSR-ADSHD



TECHNICAL READOUT

Catalog No.	Box Size Height Width	Panel Size Height Width	Weight lbs.
ASPK1224	12 x 24	8.5 x 20.5	5.5
ASPK1616	16 x 16	12.5 x 12.5	4.5
ASPK1620	16 x 20	12.5 x 16.5	6.25
ASPK2016	20 x 16	16.5 x 12.5	6.25
ASPK2020	20 x 20	16.5 x 16.5	7.75
ASPK2024	20 x 24	16.5 x 20.5	9.25
ASPK2412	24 x 12	20.5 x 8.5	5.5
ASPK2416	24 x 16	20.5 x 12.5	7.25
ASPK2420	24 x 20	20.5 x 16.5	9.25
ASPK2424	24 x 24	20.5 x 20.5	11
ASPK2430	24 x 30	20.5 x 26.5	14
ASPK3020	30 x 20	26.5 x 16.5	10.5
ASPK3024	30 x 24	26.5 x 20.5	14
ASPK3030	30 x 30	26.5 x 26.5	18
ASPK3036	30 x 36	26.5 x 32.5	21.5
ASPK3624	36 x 24	32.5 x 20.5	17.25
ASPK3630	36 x 30	32.5 x 26.5	21.5
ASPK3636	36 x 36	32.5 x 32.5	26
ASPK4224	42 x 24	30.5 x 20.5	20
ASPK4230	42 x 30	38.5 x 26.5	25
ASPK4236	42 x 36	38.5 x 32.5	30.25
ASPK4824	48 x 24	44.5 x 20.5	23.5
ASPK4830	48 x 30	44.5 x 26.5	29.5
ASPK4836	48 x 36	44.5 x 32.5	35
ASPK6036	60 x 36	56.5 x 32.5	44
ASPK7230	72 x 30	68.5 x 26.5	52.75
ASPK7236	72 x 36	68.5 x 32.5	55

ASPK Series

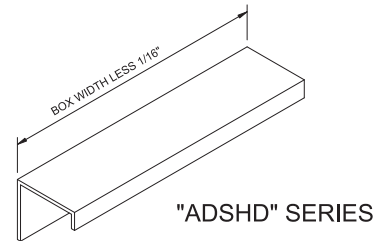
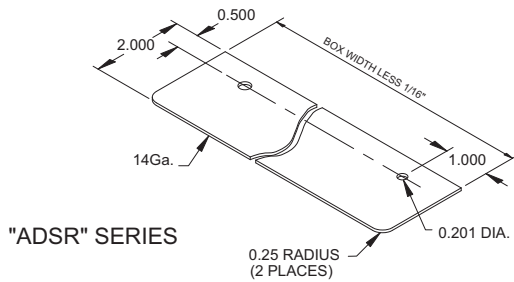
- Used to allow installation of components near the front of the enclosure.
- All kits are supplied with the necessary hardware and instructions. Outside screws are stainless steel.
- Designed to be used in the R.RAL and RSS single door enclosure series.
- White polyester coated over phosphatized surfaces.
- Can be factory installed (specify "F" instead of "K"; Ex. ASPF1620).





DRIP SHIELD SERIES

- Designed for use on our standard R and HD enclosure series (EEMAC/NEMA 12-3R)
- Each kit includes drip shield, silicone stainless steel 10/32 screws and plated nuts
- ANSI/ASA61 grey polyester textured powder coating applied over phosphatized surfaces
- Can be factory installed (specify "F" after catalog number; Ex. ADSRF12, ADSSHDF42)



TECHNICAL READOUT

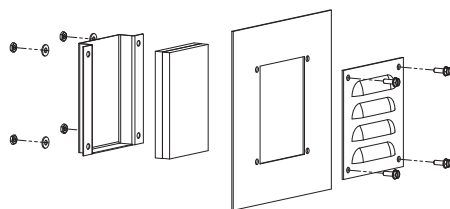
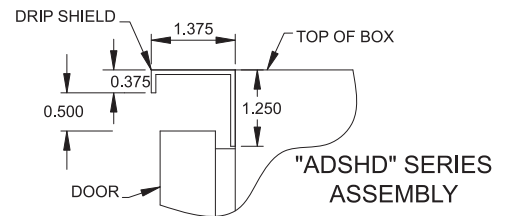
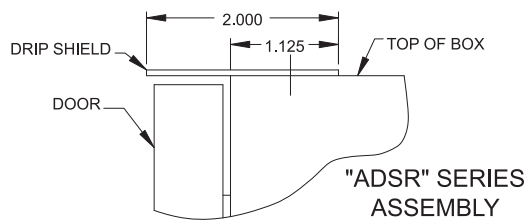
SINGLE DOOR "R" SERIES

CATALOG NO.	WIDTH BOX
ADSR12	12
ADSR16	16
ADSR20	20
ADSR24	24
ADSR30	30
ADSR36	36

TECHNICAL READOUT

**DOUBLE DOOR ENCLOSURES
"HD" AND "HDM" SERIES**

CATALOG NO.	WIDTH BOX
ADSHD42	42
ADSHD48	48
ADSHD60	60
ADSHD72	72



**VENTILATING PLATES,
AIR FILTER KITS**

- Made from 14 gauge steel
- Supplied with all necessary nuts and bolts
- Designed to provide ventilation to panel mounted instruments and controls
- Special sizes available on request
- Air filter can be supplied in form of a kit, consisting of a perforated steel frame, and a fiber filtering media. Factory installed on request only (specify "F" instead of "K"; Ex. AFLF4)
- AINSI / ASA61 grey polyester textured coating over a phosphatized base.

TECHNICAL READOUT

Catalog No.	A x B	No. of Louvers	Lght. of Louvers	Opening Area Sq. in.	Cat. No. Air Filter Kit
AVP4	4.875 x 4.875	4	3.5	1.6	AFLK4
AVP8	5.5 x 10.5	8	3.5	3.2	AFLK8
AVP12	5.5 x 15.5	12	3.5	4.8	AFLK12

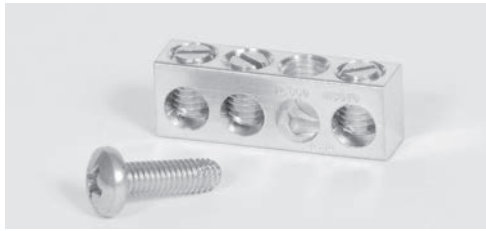
HOW TO ORDER

- Ventilating plates and ait filter assembly must be ordered seperatly.



Grounding Kits

GK



GRBG



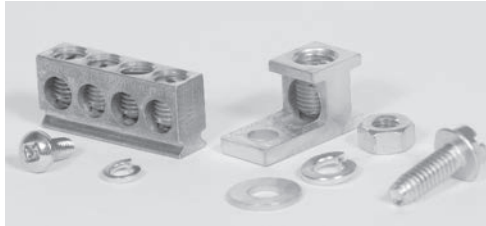
BGR200



TGR200



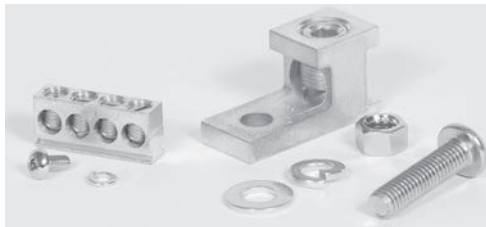
BGR400



TGR400



BGR600



TGR600



TECHNICAL READOUT

Catalog No.	Application	No. of Circuits and Wire Sizes
TGR200	Splitter trough	7 x (2-14 Cu-Al)
TGR400	Splitter trough	7 x (2-14 Cu-Al) & 1 x (1/0-14 Cu-Al)
TGR600	Splitter trough	7 x (2-14 Cu-Al) & 1 x (300KCM - 6 Cu-AL)
BGR200	Splitter box	4 x (2-14 Cu-Al)
BGR400	Splitter box	4 x (2-14 Cu-Al) & 1 x (1/0-14 Cu-Al)
BGR600	Splitter box	4 x (2-14 Cu-Al) & 1 x (300KCM - 6 Cu-Al)
GRBG	Bus gutters	Connectors to be ordered seperately; room for 5 lugs (threaded holes 1/4-20 into 1/4 x 1" aluminum busbar
GK	Junction / Pull box	3 x (4-14 Cu-Al)

Grounding Kits

- Grounding kits are supplied with all necessary mounting hardware
- All connectors are CU-AL approved
- Can be factory installed (specify "F" after cat. No.; Ex. TGR200F)





1100-A1



3213-S6



5350-A6



6375-S10



Fiberglass Reinforced Polyester Insulators

- Red color
- Aluminum insert
- Specific voltage rating available on request

TECHNICAL READOUT

Catalog No.	Height Inches	Diam. Inches	Rated Voltage	Thread Size	Tensile Strenght	Cantilever Strenght	Compression Strenght	Weight lbs.
1100-A1	1.000	1.125	600	1/4-20 x 1/4 deep	600	300	6000	0.055
3213-S6	2.125	2.500	2500	1/2-13 x 5/8 deep	3000	3500	50000	0.620
5350-A6	3.500	2.500	5000	1/2-13 x 5/8 deep	5700	3200	27000	0.720
6375-S10	6.000	2.750	15000	3/8-16 x 3/4 deep	3000	3200	30000	2.040





General

- ◇ Powder Polyester Coating
- ◇ Chemical Resistance for Powder Textured Polyester Coatings
- ◇ Stainless Steel (Austenite) Application Chart
- ◇ Stainless Steel Finishes
- ◇ NEMA, UL and CSA Designations
- ◇ Sales Offices, Warehouses and Plants



To produce a tougher and more resistant finish, **BEL Products Inc.** enclosures, including lay-in wireways, “D” and “E” boxes and splitter boxes are coated with a powder textured polyester.

BEL electrical enclosures provide better resistance to:

- Chipping
- Chalking and colour change
- Chemicals and stains

BEL powder textures polyester coating
accelerated laboratory tests showed:

- No Blistering (in 1000 hours of humidity)
- No face rust (in 1000 hours of 5% salt spray)
- No peeling (in 500 hours of 49°C water immersion)



Similar formulation to Mobilox 1000-R-4
Applied at 3-4 mils.; baked 15 minutes at 360 F.

○ No Change ▸ Some Softening ● Severe Softening

	1 WEEK	1 MONTH	3 MONTHS	6 MONTHS	9 MONTHS
Hydrochloric Acid, 10%	▸	●			
Hydrochloric Acid, (conc.)	▸	●			
Sulphuric Acid, 10%	○	○	○	○	○
Sulphuric Acid, 30%	▸	▸	●	●	
Nitric Acid, 3%	▸	▸	●		
Nitric Acid, 30%	●				
Phosphoric Acid, 10%	○	○	○	○	○
Phosphoric Acid, 40%	○	○	○	○	○
Acetic Acid, 10%	○	○	●		
Acetic Acid, 50%	●				
Lactic Acid, 5%	○	○	○	○	○
Lactic Acid, 10%	○	○	○	○	○
Sodium Hydroxide, 5%	○	○	○	○	○
Sodium Hydroxide, 30%	○	○	○	○	▸
Ammonia, 10%	○	○	○	○	▸
Ammonia (concentrated)	○	○	○	▸	●
Javelle Bleach (caustic)	○	○	▸	●	
Distilled Water	○	○	○	○	○
Synthetic Salt Water	○	○	○	○	○
Formaldehyde, 40%	○	○	○	○	○
Ethanol, 10%	○	○	○	○	○
Ethylacetate	●				
Toluol	▸	▸	▸	●	
Benzen	▸	▸	●	●	
Leaded Gasoline	○	○	○	○	○
Kerosene	○	○	○	○	○





For The Application of Stainless Steel (Austenite)

A.I.S.I. Grade	Features	When and Where to Use it
Shade 304	The amount of carbon limited to a maximum of 0.08	Applications similar to Shade 302 with a higher resistance to corrosion on surfaces affected by welding
Shade 316	Exceptional resistance to corrosion; improved resistance to distortion	For extreme conditions of corrosion

Finishes




Number 2B

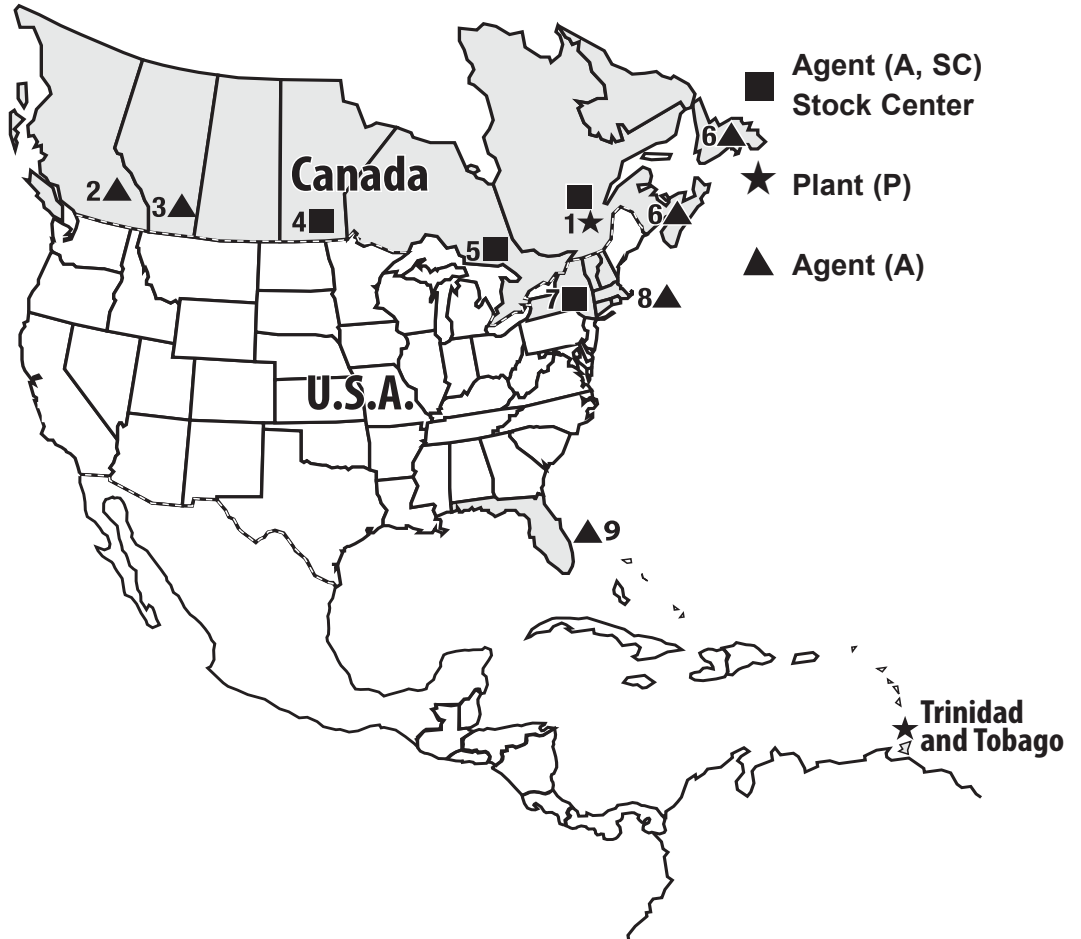
Cold-laminated, bright. Laminated finish for all uses. Finish varies according to type and thickness of stainless steel. Thin sheets usually brighter than thick ones.

Number 4

A polished finish for all uses. Utilization applies to restaurants and dairy accessories, food product treatment or transformation, medical and chemical equipment, as well as to a variety of architectural products



Enclosure Rating	National Electrical Manufacturers Association (NEMA Standard 250) and Electrical and Electronic Mfg. Association of Canada (EEMAC) 	Underwriters Laboratories Inc. (UL50 and UL 508) 	Canadian Standard Association Standard C22.2 No94) 
TYPE 1	Enclosures are intended for indoor use primarily to provide a degree of protection against contact with the enclosed equipment or locations where unusual service conditions do not exist.	Indoor use primarily to provide protection against contact with the enclosed equipment and against a limited amount of falling dirt.	General purpose enclosure. Protects against accidental contact with live parts.
TYPE 2	Enclosures are intended for indoor use primarily to provide a degree of protection against limited amounts of falling water and dirt.	Indoor use to provide a degree of protection against limited amounts of falling water and dirt.	Indoor use to provide a degree of protection against dripping and light splashing of non-corrosive liquids and falling dirt.
TYPE 3	Enclosures are intended for outdoor use primarily to provide a degree of protection against windblown dust, rain and sleet; undamaged by the formation of ice on the enclosure.	Outdoor use to provide a degree of protection against windblown dust and windblown rain; undamaged by the formation of ice on the enclosure.	Indoor or outdoor use; provides a degree of protection against rain, snow and windblown dust; undamaged by the external formation of ice on the enclosure.
TYPE 3R	Enclosures are intended for outdoor use primarily to provide a degree of protection against falling rain and sleet, undamaged by the formation of ice on the enclosure.	Outdoor use to provide a degree of protection against falling rain undamaged by the formation of ice on the enclosure.	Indoor or outdoor use; provides a degree of protection against rain and snow undamaged by the external formation of ice on the enclosure.
TYPE 4	Enclosures are intended for indoor or outdoor use primarily to provide a degree of protection against windblown dust and rain, splashing water and hose-directed water, undamaged by the formation of ice on the enclosure.	Either indoor or outdoor use to provide a degree of protection against falling rain, splashing water and hose-directed water; undamaged by the formation of ice on the enclosure.	Indoor or outdoor use; provides a degree of protection against rain and snow, windblown, dust, splashing and hose-directed water undamaged by the external formation of ice on the enclosure.
TYPE 4X	Enclosures are intended for indoor or outdoor use primarily to provide a degree of protection against corrosion, windblown dust and rain, splashing water and hose-directed water; undamaged by the formation of ice on the enclosure.	Either indoor or outdoor use to provide a degree of protection against falling rain, splashing water and hose-directed water; undamaged by the formation of ice on the enclosure; resists corrosion.	Indoor or outdoor use; provides a degree of protection against rain and snow, windblown, dust, splashing and hose-directed water undamaged by the external formation of ice on the enclosure; resists corrosion.
TYPE 6	Enclosures are intended for use indoors or outdoors where occasional submersion is encountered.	Indoor or outdoor use to provide a degree of protection against entry of water during temporary submersion at a limited depth; undamaged by the formation of ice on the enclosure.	Indoor or outdoor use; provides a degree of protection against the entry of water during temporary submersion at a limited depth; undamaged by the external formation of ice on the enclosure; resist corrosion.
TYPE 12	Enclosures are intended for indoor use primarily to provide a degree of protection against dust, falling dirt and dripping non-corrosive liquids.	Indoor use to provide a degree of protection against dust dirt, fiber flyings, dripping water and external condensation of non-corrosive liquids.	Indoor use; provides a degree of protection against circulating dust, lint, fibers and flyings; dripping and light splashing of non-corrosive liquids; not provided with knockouts.
TYPE 13	Enclosures are intended for indoor use primarily to provide a degree of protection against dust, spraying of water, oil and non-corrosive coolant.	Indoor use to provide a degree of protection against lint, dust seepage, external condensation and spraying of water, oil and non-corrosive liquids.	Indoor use; provide a degree of protection against circulating dust, lint, fibers and flyings; seepage and spraying of non-corrosive liquids, including oils and coolants.



CANADA

1 Head Office & Plant
Bel Products Inc. (A, SC, P)
6868 Maurice-Duplessis Blvd.
Montréal, QC H1G 1Z6
Tel.: 514-327-2800
Fax: 514-327-3250
bel@belproducts.com

1 Province of Quebec
Contact Delage (A)
900, rue Hérèlle
Longueuil, QC J4G 2M8
Tel.: 450-449-9444
Tel.: 450-640-0120
Fax: 450-449-6090

2 British Columbia
Adanac Sales (A)
#3-2075 Brigantine Drive,
Coquitlam, BC V3K 7B3
Tel.: 604-540-0220
Fax: 604-540-0124
sales@adanacsales.com

3 Alberta
Borden Agencies. (A)
50 Autumn Gdns SE,
Calgary, AB T3M 0H7
Tel.: 403-999-3333
michael@bordenagencies.ca

**4 Manitoba
Saskatchewan
Head of Lake Superior**
Cochrane Stephenson Ltd. (A, SC)
44 Higgins Avenue
Winnipeg, MB R3B 0A5
Tel.: 204-589-4394
Fax: 204-947-1207

**5 Central Warehouse /
Western Canada
Sales Office**
Bel Products Inc. (A, SC)
1800 Courtney Park Drive E.
Unit #5-7
Mississauga, ON L5T 1W1
Tel.: 905-564-6693
Fax: 905-564-6692
donna@belproducts.com
francis@belproducts.com

CANADA

5 Ottawa Valley
Michael Schmiedlechner (A)
1800 Courtney Park Drive E.
Unit #5-7
Mississauga, ON L5T 1W1
Tel.: 613-323-3038
Michael@belproducts.com

5 Northern Ontario
JVS Electrical Sales (A)
John Varney
557 Ash St.
Sudbury, ON P3C 2A5
Tel.: 705-674-1060
Fax: 705-674-9782
jvarney@unitz.on.ca

5 Ontario
Humelec Associates Ltd. (A)
755 The Queensway Ave. E.,
Unit 25
Mississauga, ON L4Y 4C5
Tel.: 905-276-3301
Fax: 905-276-7013
www.humelec.ca
Ron Norrey
Cell.: 416-520-4120
rnorrey@humelec.ca
Bill Eckersley
Cell.: 416-994-5393
beckersley@humelec.ca

CANADA

**6 Nova Scotia
Prince Edward Island
New Brunswick
Newfoundland**
Axis Sales & Marketing Inc. (A)
5531 Cunard Street
Halifax, Nova Scotia B3K 1C3
Tel.: 855-485-3500
info@axisinc.ca

UNITED STATES

**7 Metro New York
Northern New Jersey**
Flexotek (A, SC)
425, Stanley Avenue
Brooklyn, NY
11207
Tel.: 718-257-9300
Fax: 718-257-9303
marcos@flexotek.com

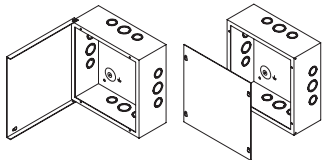
**8 New England /
Massachusetts /
Connecticut / Vermont /
Maine / New Hampshire /
Rhode Island**
Gallagher Sales Associates, Inc. (A)
2 Shaker Road, Suite D213
Shirley, MA 01464
Tel.: 978-772-6506
Fax: 978-772-6509
sales@gallaghersales.net

9 Florida
Axis Sales & Marketing inc. USA (A)
5531 Cunard Street
Halifax, Nova Scotia, B3K 1C3
Tel.: 855-485-3500
info@axisinc.ca

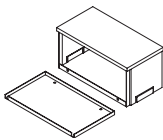


U.S. Market

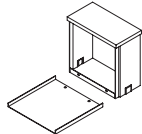
NEMA/EEMAC Types 1, 3R and 12



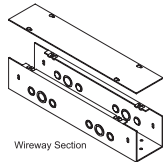
◇ Screw Cover Pull Boxes



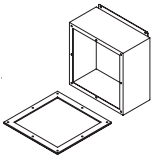
◇ 3R Wiring Troughs



◇ 3R Enclosures



◇ NEMA 1 Troughs



◇ Type 12 Screw On Cover

“Committed to Quality and Customer Satisfaction Since 1964”

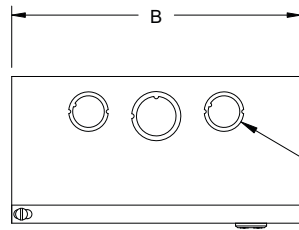


06/2016



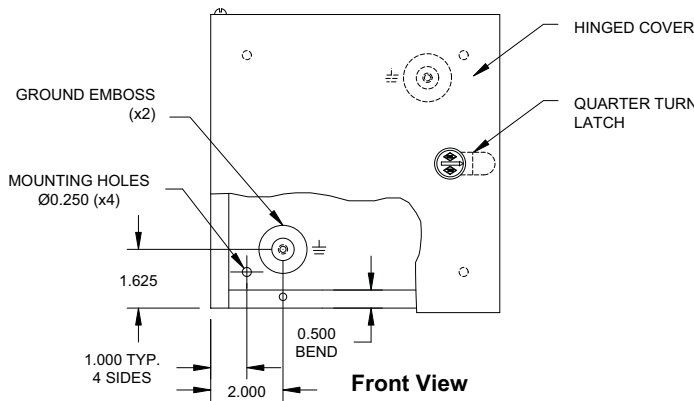
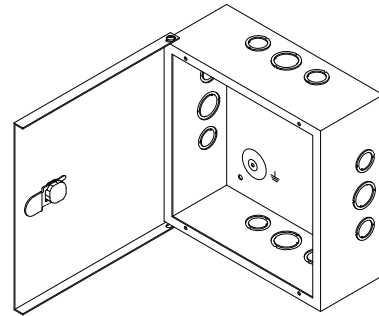
EUKO Series

EEMAC / NEMA 1 Hinged Cover Cutout Boxes

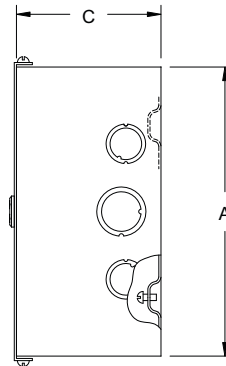


Top View

STANDARD KOD'S
SEE TABLE FOR
QTY. & SIZES



Front View



Side View

TECHNICAL READOUT

Catalog No.	Dimensions (box)			Knockouts		Weight lbs.
	A	B	C	Sides	Top & bottom	
EUKO663	6	6	3	1a, 1b	2a	3
EUKO664	6	6	4	2a, 1b	2a	4
EUKO884	8	8	4	2a, 1b	2a, 1b	5
EUKO10104	10	10	4	2a, 1b	2a, 1b	7
EUKO12124	12	12	4	2a, 1b	2a, 1b	9
EUKO886	8	8	6	2a, 1b	2a, 1b	6
EUKO10106	10	10	6	2a, 1b	2a, 1b	8
EUKO12126	12	12	6	2a, 1b	2a, 1b	10
EUKO16166	16	16	6	2a, 3b	2a, 3b	15
EUKO18186	18	18	6	2a, 3b	2a, 3b	20

Knockouts (Conduit Size): a = 1/2" - 3/4" • b = 3/4" - 1"

Note: This product is a universal enclosure. It can be used with either a hinged or a screw-on cover.

Application:

Type 1 surface mounted box generally used as a junction or pull, switch or general service box. Hinged cover may be changed to a screw cover.

Construction:

- 16 gauge steel
- Pre-punched holes to accommodate screw-hinged cover
- Easily removable knockouts on all sides
- Mounting holes on back
- Two grounding emboss & grounding screw
- ANSI/ASA61 grey polyester textured powder coating inside out

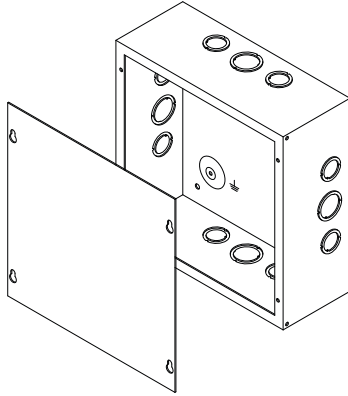
Also Available:

- Aluminium and stainless steel
- Tamper proof screw
- Cutouts, louvers and hubs

Standards:

- CSA certified 150359
- UL listed E109311





TECHNICAL READOUT

Catalog No.	Dimensions (box)			Knockouts faces		Weight lbs. bottom
	A	B	C	1 & 2	3 & 4	
DUKO444	4	4	4	1a	1a	3
DUKO663	6	6	3	1a/1b	2a	3
DUKO664	6	6	4	2a/1b	2a	4
DUKO666	6	6	6	1a/1b	2a	4
DUKO884	8	8	4	2a/1b	2a/1b	5
DUKO886	8	8	6	2a/1b	2a/1b	6
DUKO888	8	8	8	2a/1b	2a/1b	5
DUKO10104	10	10	4	2a/1b	2a/1b	7
DUKO10106	10	10	6	2a/1b	2a/1b	8
DUKO12124	12	12	4	2a/1b	2a/1b	9
DUKO12126	12	12	6	2a/1b	2a/1b	10
DUKO16164	16	16	4	2a/3b	2a/3b	13
DUKO16166	16	16	6	2a/3b	2a/3b	15
DUKO18184	18	18	4	2a/3b	2a/3b	16
DUKO18186	18	18	6	2a/3b	2a/3b	20
DUKO18188	18	18	8	2a/3b	2a/3b	22
DUKO181812	18	18	12	2a/3b	2a/3b	28
DUKO24244	24	24	4	2a/3b	2a/3b	34
DKO24246	24	24	6	2a/3b	2a/3b	40
DKO16168	16	16	8	2a/3b	2a/3b	18
D16168				No Ko's		
DKO202010	20	20	10	2a/3b	2a/3b	39
D202010				No Ko's		
DKO24248	24	24	8	2a/3b	2a/3b	43
D24248				No Ko's		
DKO242410	24	24	10	2a/3b	2a/3b	50
D242410				No Ko's		

Knockouts (Conduit Size): a = 1/2" - 3/4" • b = 3/4" - 1"

Note: This product is a universal enclosure. It can be used with either a hinged or a screw-on cover.

Application:

Type 1 surface or flush mounted enclosure generally used as a junction box, switch box or general service box. Screw-on cover may be switched for a screw-hinged cover (standard on EUKO model)

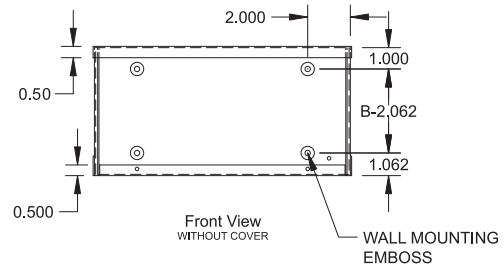
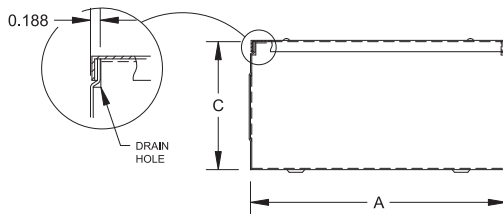
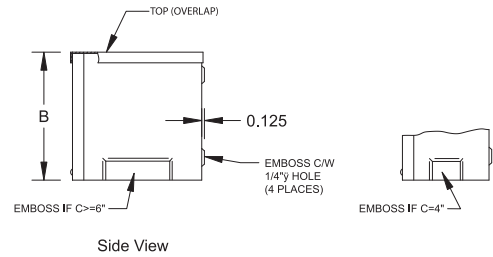
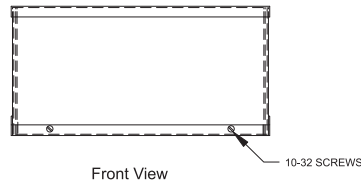
Construction:

- 16, 14 gauge steel
- Pre-punched side holes to accommodate screw-hinged cover
- With knockouts (DUKO/DKO) or without (D)
- Mounting holes on back
- Two grounding emboss on sizes up to and including 24246; pre-punched grounding holes on larger sizes
- Grounding screw provided with each model
- ANSI/ASA61 grey polyester textured powder coating inside out
- Specify "F" for flush mounting (i.e. DFUKO663)

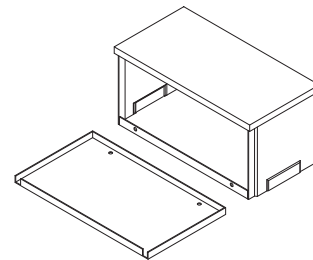
TECHNICAL READOUT

Catalog No.	Dimensions (box)			Knockouts faces		Weight lbs. bottom
	A	B	C	1 & 2	3 & 4	
DKO242412	24	24	12	2a/3b	2a/3b	54
D242412				No Ko's		
DKO30210	30	20	10	3a/4b	2a/3b	52
D302010				No Ko's		
DKO30246	30	24	6	3a/4b	2a/3b	60
D30246				No Ko's		
DKO30306	30	30	6	4a/3b	4a/3b	64
D30306				No Ko's		
DKO30308	30	30	8	4a/3b	4a/3b	67
D30308				No Ko's		
DKO303010	30	30	10	3a/4b	3a/4b	69
D303010				No Ko's		
DKO362410	36	24	10	4a/5b	2a/3b	67
D362410				No Ko's		
DKO36366	36	36	6	4a/5b	4a/5b	70
D36366				No Ko's		
DKO36368	36	36	8	4a/5b	4a/5b	74
D36368				No Ko's		
DKO363610	36	36	10	4a/5b	4a/5b	80
D363610				No Ko's		
DKO363612	36	36	12	4a/5b	4a/5b	81
D363612				No Ko's		
DKO484812	48	48	12	6a/7b	6a/7b	128
D484812				No Ko's		




TECHNICAL READOUT

Catalog No.	Dimensions (box)			Weight lbs.
	A	B	C	
AT1244	12	4	4	3.5
AT2444	24	4	4	6.5
AT3644	36	4	4	9.5
AT4844	48	4	4	12.5
AT6044	60	4	4	15.5
AT1266	12	6	6	5
AT2466	24	6	6	10
AT3666	36	6	6	15
AT4866	48	6	6	20
AT6066	60	6	6	25
AT1288	12	8	8	6.5
AT2488	24	8	8	12
AT3688	36	8	8	18
AT4888	48	8	8	24
AT6088	60	8	8	30


Application:

Type 3R weatherproof enclosure to protect wiring against rain, sleet, snow and dripping water.

Construction:

- 16 gauge steel
- Mounting holes on back for horizontal installation only
- 2 x drain holes, no gasket, drip shield top
- ANSI / ASA 61 grey polyester textured powder coating inside out

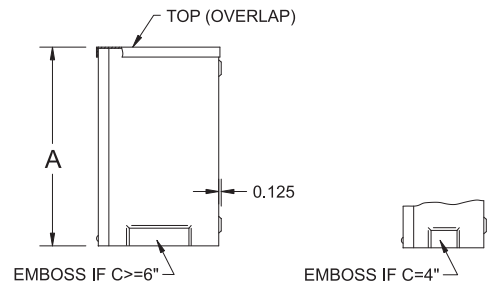
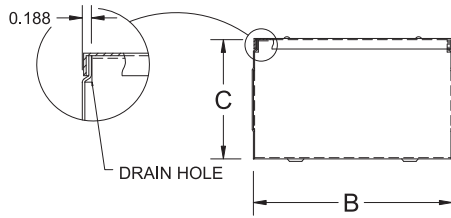
Standards:

- UL listed E205524

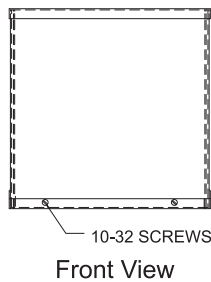


WE Series

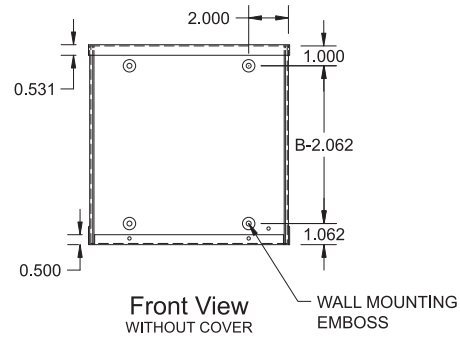
EEMAC / NEMA 3R Weatherproof Screw Cover Boxes



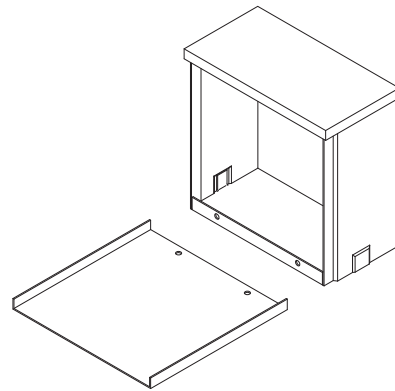
Side View



Front View



Front View
WITHOUT COVER



TECHNICAL READOUT

Catalog No.	Dimensions (box)			Weight lbs.
	A	B	C	
WE664	6	6	4	3
WE884	8	8	4	5
WE886	8	8	6	5.5
WE10104	10	10	4	6
WE10106	10	10	6	7
WE12124	12	12	4	7
WE12126	12	12	6	12
WE18186	18	18	6	20

Application:

Type 3R weatherproof enclosure generally used as a junction or pull box.

Construction:

- 16, gauge steel
- Mounting holes on back for vertical installation only
- No gasket, drip shield top
- 2 x drain holes
- ANSI / ASA 61 grey polyester textured powder coating inside out

Standards:

- UL listed E205524



**TECHNICAL READOUT**

Description	Catalog No. 4 x 4	Weight lbs.	Catalog No. 6 x 6	Weight lbs.	Catalog No. 8 x 8	Weight lbs.
12" wireway section	B41LDUS	4	B61LDUS	5	B81LDUS	8
24" wireway section	B42LDUS	7	B62LDUS	10	B82LDUS	17
36" wireway section	B43LDUS	12	B63LDUS	15	B83LDUS	26
48" wireway section	B44LDUS	14	B64LDUS	20	B84LDUS	35
60" wireway section	B45LDUS	18	B65LDUS	26	B85LDUS	43

ACCESSORIES

Closing plate	B4CPUS	0,5	B6CPUS	1	B8CPUS	2
Joiner	B4JUS	0.5	B6JUS	0.75	B8JUS	1.5
90* elbow	B490US	2	B690US	4	B890US	6
45* elbow	B445US	1.5	B645US	2.5	B845US	5
Tee fitting	B4TUS	2.5	B6TUS	4	B8TUS	8.5
Hanger	B4HUS	0.5	B6HUS	0.75	B8HUS	1
Cross fitting	B4CFUS	2.25	B6CFUS	4	B8CFUS	7
Adaptor	B4ADUS	1	B6ADUS	1.5	B8ADUS	2

TECHNICAL READOUT

Description	Catalog No. 10 x 10	Weight lbs.	Catalog No. 12 x 12	Weight lbs.
12" wireway section	B10101LDUS	8	B12121LDUS	9
24" wireway section	B10102LDUS	17	B12122LDUS	19
36" wireway section	B10103LDUS	25	B12123LDUS	29
48" wireway section	B10104LDUS	34	B12124LDUS	40
60" wireway section	B10105LDUS	43	B12125LDUS	51

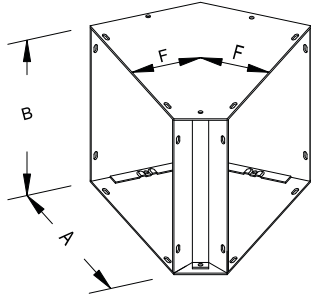
ACCESSORIES

Closing plate	B1010CPUS	2	B1212CPUS	3
Joiner	B1010JUS	1	B1212JUS	3
90* elbow	B101090US	8	B121290US	10
45* elbow	B101045US	6	B121245US	8
Tee fitting	B1010TUS	4	B1212TUS	5
Hanger	B1010HUS	1	B1212HUS	1
Cross fitting	B1010CFUS	4	B1212CFUS	5
Adaptor	B1010ADUS	2.5	B1212ADUS	3

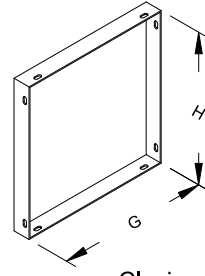




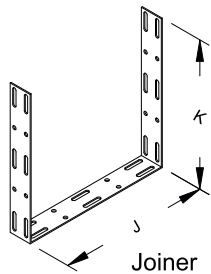
B...LDUS Series



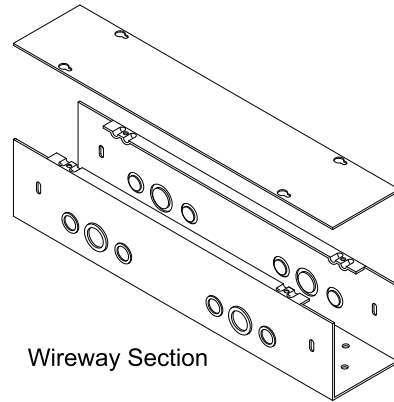
45° Elbow



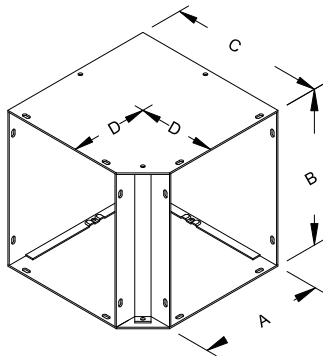
Closing Plate



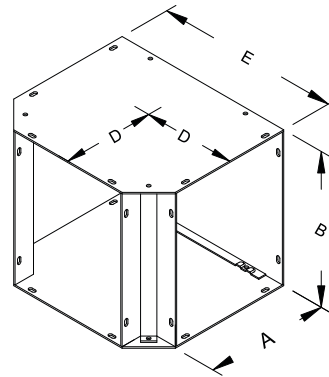
Joiner



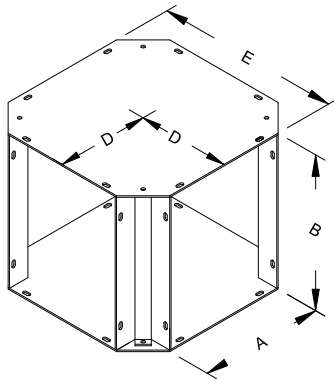
Wireway Section



90° Elbow



Tee



Cross

Application:

Type 1 wireway, designed to protect electrical wiring.

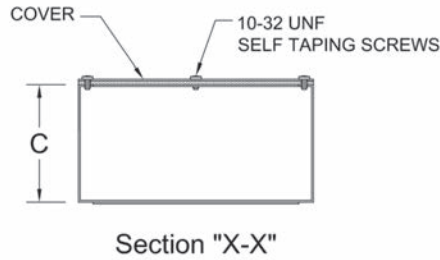
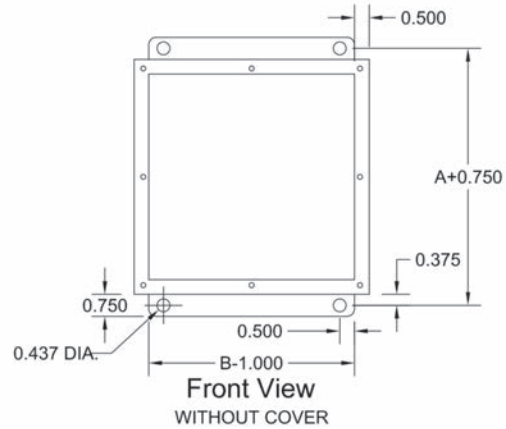
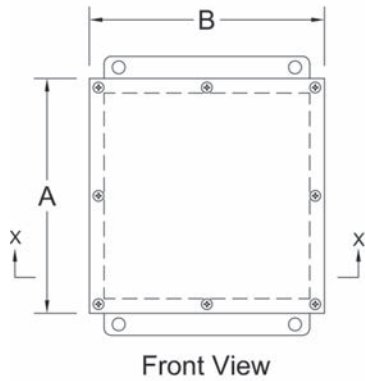
Construction:

- Fabricated from 16 and 14 gauge steel
- ANSI / ASA 61 grey polyester textured powder coating inside out

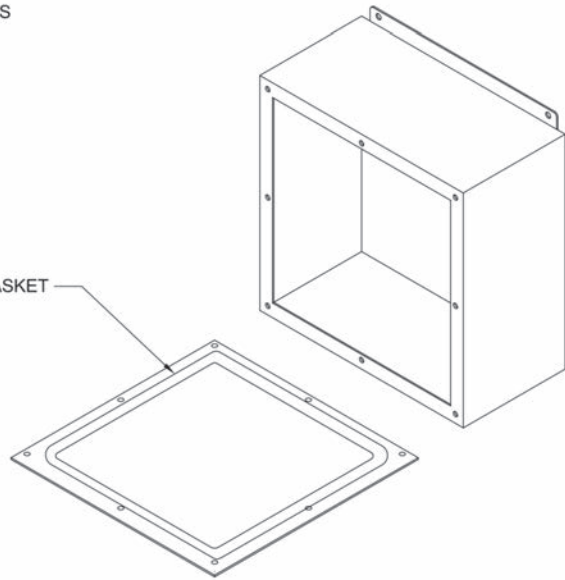
Standards:

- UL listed E109310





COVER SEALING GASKET



TECHNICAL READOUT

Catalog No.	Dimensions (box)			Weight lbs.
	A	B	C	
SW664	6	6	4	4
SW666	6	6	6	5
SW884	8	8	4	5
SW886	8	8	6	7
SW10104	10	10	4	7
SW10106	10	10	6	8
SW12124	12	12	4	9
SW12126	12	12	6	10
SW18184	18	18	4	16
SW18186	18	18	6	20
SW18188	18	18	8	24
SW242410	24	24	10	30

Application:

Type 12 gasketed enclosure generally used as a wiring box junction or pull box and terminal box in many indoor or outdoor applications.

Construction:

- 16 gauge steel
- Seamless poured in place gasketed cover
- Continuously welded and ground smooth seams
- External welded mounting feet
- ANSI / ASA 61 grey polyester textured powder coating inside out

Standards:

- UL listed E109310





BEL Products Inc.

www.belproducts.com

E-mail: bel@belproducts.com

Tel.: 514 327-2800 • Fax: 514 327-3250