

# BEL ENCLOSURES



# BEL ENCLOSURES

---

# TABLE OF CONTENTS

<b>BEL, the trusted partner</b>	04
<b>Commercial</b>	05
<b>Industrial</b>	43
<b>Custom</b>	74
<b>Accessories</b>	77
<b>General</b>	94
<b>Index</b>	97

---

# BEL, the trusted partner of electrical professionals in Canada for over 60 years.

Founded in Montreal in 1964, BEL traces its roots to the Bélanger family workshop and quickly built a reputation for superior product quality and outstanding customer service. From that DNA emerged a complete range of electrical enclosures, renowned for their quality, durability, and performance.

Backed by deep expertise in custom design, BEL solutions meet the needs of the commercial and industrial sectors as well as OEMs. Using premium-grade materials and advanced manufacturing processes, they provide reliable protection against the elements, contaminants, and demanding operating conditions.

Now part of ABB Installation Products in Canada, BEL strengthens an already extensive portfolio of equipment designed to protect and connect electrical systems, from everyday environments to the most demanding applications.

Whether standard models or custom designs, BEL integration into ABB Canada ensures a dependable partner, improved market availability, a single purchasing journey for simplified ordering and invoicing, and prompt turnaround on quote requests.

True to the spirit of the Bélanger family and now within the larger ABB family, we remain close to people and their projects.

---

# Commercial

In the commercial sector, our enclosures simplify installation, maintenance, and everyday use of your equipment.

**Designed for real-world conditions, our solutions come in various sizes and configurations to adapt to architectural layouts and access constraints.**

## Essentials for your installations

- General-purpose enclosures
- Enclosures for telephone equipment
- Wireways
- Wireways, distribution boxes, and terminal blocks
- Meter cabinets
- Condominium enclosures
- Bus gutter systems
- Ventilated enclosures
- Cable-routing wireways

## Application examples

- Communication enclosures for cable/antenna/satellite distribution, security systems, telephone and network wiring, and low-voltage systems in condominiums and other buildings.
- Indoor meter cabinets, including versions designed for underground cable pulling.
- “Telephone” cabinets (TCS/TCF) used in hospitals, schools, and hotels to group switches/dimmers, hide bulky components, or serve as junction boxes.
- Cable-routing wireways (indoor cable runs) and pathway accessories.
- Junction/pulling enclosures (indoor/outdoor depending on type) for connections and branching.
- Distribution boxes and bus gutter systems for indoor power distribution (up to several hundred amps depending on the series).
- Ventilated enclosures when airflow is required for the contents.
- Type 3R (weatherproof) enclosures for indoor or outdoor junction/pulling applications.



## EUKO Series

### NEMA 1 - Hinged Cover Cutout Boxes



Type 1 surface mounted box generally used as a junction, pull, switch or general service box. Hinged cover may be changed to a screw cover.

#### Technical specifications:

- 16 gauge steel
- Pre-punched holes to accommodate screw-hinged cover
- Easily removable knockouts on all sides
- Mounting holes on back
- Two grounding emboss & grounding screw
- ANSI/ASA61 grey polyester textured powder coating inside out

**Note :** This product is a universal enclosure. It can be used with either a hinged or a screw-on cover.



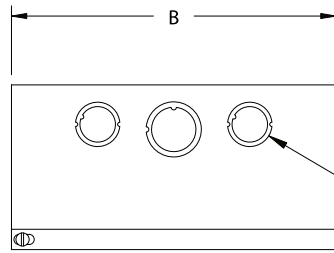
Cat. No.	Dimensions (box)			Sides	Knockouts Top & bottom	Weight lbs.
	A	B	C			
EUKO663	6	6	3	1a, 1b	2a	3
EUKO664	6	6	4	2a, 1b	2a	4
EUKO884	8	8	4	2a, 1b	2a, 1b	5
EUKO10104	10	10	4	2a, 1b	2a, 1b	7
EUKO12124	12	12	4	2a, 1b	2a, 1b	9
EUKO886	8	8	6	2a, 1b	2a, 1b	6
EUKO10106	10	10	6	2a, 1b	2a, 1b	8
EUKO12126	12	12	6	2a, 1b	2a, 1b	10
EUKO16166	16	16	6	2a, 3b	2a, 3b	15
EUKO18186	18	18	6	2a, 3b	2a, 3b	20

Knockouts (Conduit Size): a = 1/2" - 3/4" • b = 3/4" - 1"

**EUKO Series**

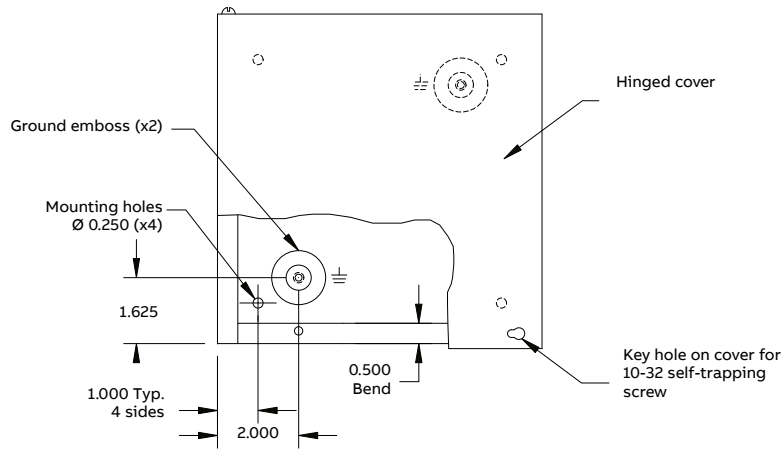
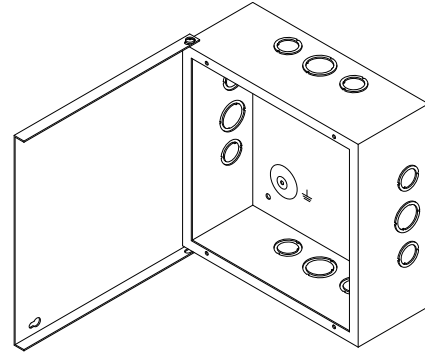
NEMA 1 - Hinged Cover Cutout Boxes

**Diagrams**



**Top view**

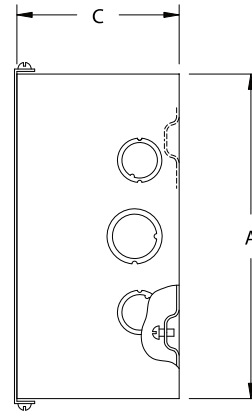
Standard knockouts  
see table for quantity  
& sizes



**Front view**

Hinged cover

Key hole on cover for  
10-32 self-trapping  
screw



**Side view**

## DUKO/DKO & D Series

### NEMA 1 - Screw Cover Boxes



**Note :** This product is a universal enclosure. It can be used with either a hinged or a screw-on cover.

Type 1 surface or flush mounted (on request) enclosure generally used as a junction, pull box, switch box or general service box. Screw-on cover may be switched for a hinged cover (standard on EUKO model).

#### Technical specifications:

- 16 gauge steel
- Pre-punched side holes to accommodate screw-hinged cover
- With knockouts (DUKO/DKO) or without (D)
- Mounting holes on back
- Two grounding emboss on sizes up to and including 24246; pre-punched grounding holes on larger sizes
- Grounding screw provided with each model
- ANSI/ASA61 grey polyester textured powder coating inside out
- Specify "F" for flush mounting (i.e. DFUKO663)

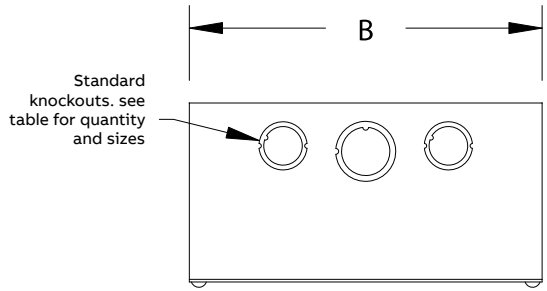


Cat. No.	Dimensions (box)			Sides	Knockouts Top & bottom	Weight lbs.
	A	B	C			
DUKO663	6	6	3	1a/1b	2a	3
DUKO664	6	6	4	2a/1b	2a	4
DUKO884	8	8	4	2a/1b	2a/1b	5
DUKO10104	10	10	4	2a/1b	2a/1b	7
DUKO12124	12	12	4	2a/1b	2a/1b	9
DUKO886	8	8	6	2a/1b	2a/1b	6
DUKO10106	10	10	6	2a/1b	2a/1b	8
DUKO12126	12	12	6	2a/1b	2a/1b	10
DUKO16166	16	16	6	2a/3b	2a/3b	15
DUKO18186	18	18	6	2a/3b	2a/3b	20
DKO24246	24	24	6	2a/3b	2a/3b	40
DKO30246	30	24	6	3a/4b	2a/3b	52
D30246	30	24	6	-	-	52
DKO16168	16	16	8	2a/3b	2a/3b	18
D16168	16	16	8	-	-	18
DKO24248	24	24	8	2a/3b	2a/3b	42
D24248-Z	24	24	8	-	-	42
DKO202010	20	20	10	2a/3b	2a/3b	39
D202010	20	20	10	-	-	39
DKO242410	24	24	10	2a/3b	2a/3b	50
D242410	24	24	10	-	-	50
DKO302010	30	20	10	3a/4b	2a/3b	52
D302010	30	20	10	-	-	52
DKO303010	30	30	10	3a/4b	3a/4b	69
D303010	30	30	10	-	-	69
DKO362410	36	24	10	4a/5b	2a/3b	67
D362410	36	24	10	-	-	67

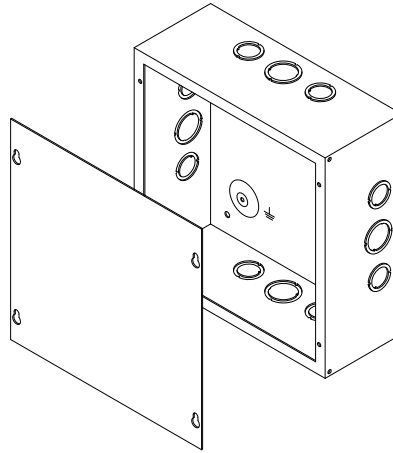
Knockouts (Conduit Size): a = 1/2" - 3/4" • b = 3/4" - 1"

**DUKO/DKO & D Series**  
 NEMA 1 - Screw Cover Boxes

**Diagrams**



**Top view**

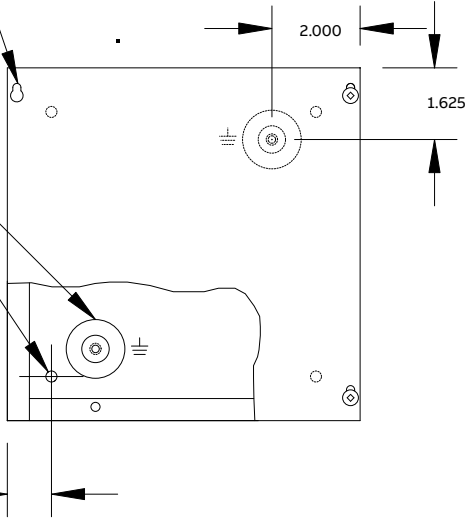


Key hole on cover for 10-32 self-trapping screw

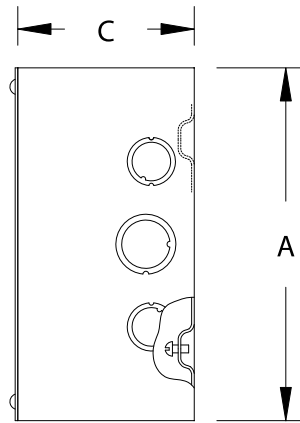
Ground emboss (x2)

Mounting holes  $\varnothing$  0.250 (x4)

1.000 Typ. 4 sides



**Front view**



**Side view**

## DUKO-RING Series

Extension enclosure



Extension for screw cover box and/or concrete direct burial junction box

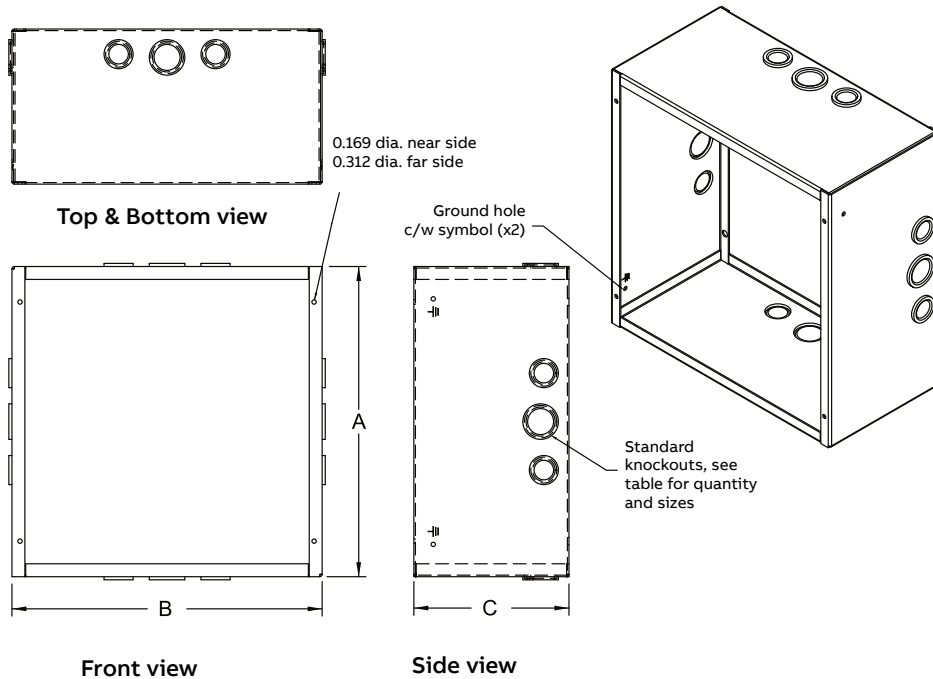
**Technical specifications:**

- 16 gauge steel
- When installed on top of an existing box, the extension will increase the usable connection space
- Grounding screws provided
- ANSI/ASA61 grey polyester textured coating inside out
- Cover sold separately

Cat. No.	Dimensions			Sides	Knockouts Top & bottom	Weight lbs.
	A	B	C			
DUKO664-RING	6	6	4	2a, 1b	2a	3
DUKO884-RING	8	8	4	2a, 1b	2a, 1b	3
DUKO10104-RING	10	10	4	2a, 1b	2a, 1b	4
DUKO12124-RING	12	12	4	2a, 1b	2a, 1b	4
DUKO12126-RING	12	12	6	2a, 1b	2a, 1b	5
DUKO16166-RING	16	16	6	2a, 3b	2a, 3b	6

Knockouts (Conduit Size): a = 1/2" - 3/4" • b = 3/4" - 1"

**Diagrams**



Cover sold separately

## DB Series

### NEMA 1 - Screw Cover Boxes



Type 1, small utility junction box with screw cover

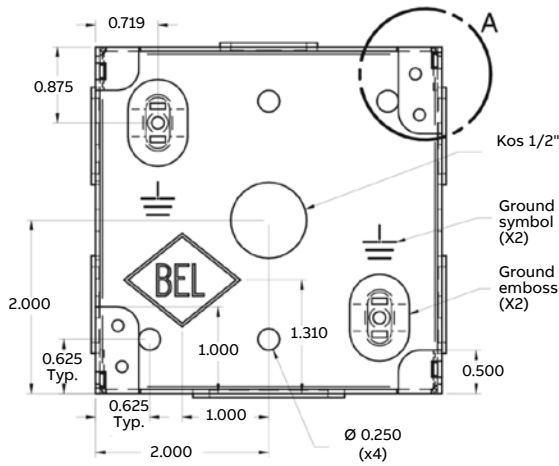
**Technical specifications:**

- 18 gauge galvanized steel, natural finish
- With knockouts (DUKO/DKO) or without (D)
- Mounting holes on back
- 2 grounding emboss
- Grounding screw 8-32 installed
- D Series

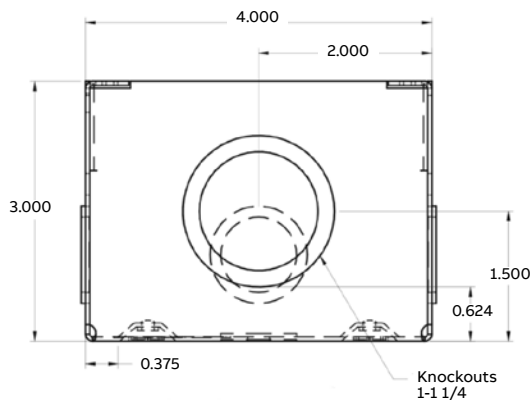
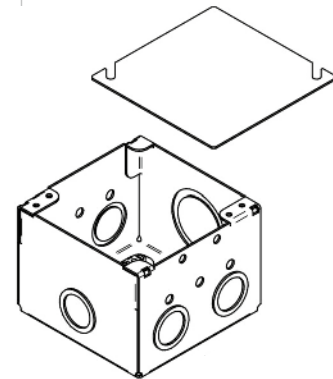


Cat. No.	Dimensions (box)			Weight lbs
	H	W	D	
DB443	4	4	3	1

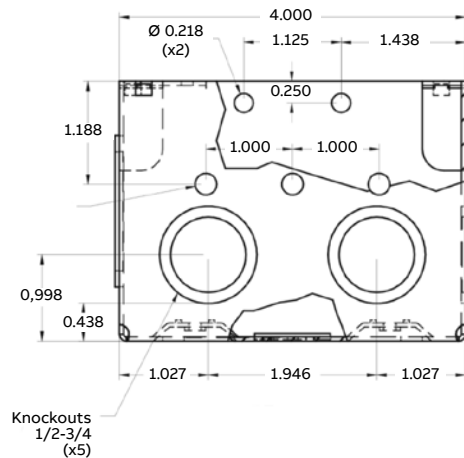
**Diagrams**



Front view without cover



Bottom view



Side view

## CKO / C Series

### NEMA 1 - Hinged Door Boxes



Type 1 surface mounted enclosure generally used as a junction or pull box, switch box or general service box.

#### Technical specifications:

- 16 or 14 gauge steel
- With easily removable knockouts (CKO) or without (C)
- Mounting holes on back
- Steel butt hinges
- Retractable sealing hasp
- Grounding emboss on 12126; grounding hole on larger sizes  
grounding screw provided with each size
- ANSI/ASA61 grey polyester textured powder coating inside out



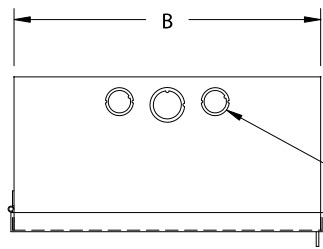
Cat. No.	Dimensions			Sides	Knockouts Top & bottom	Weight lbs.
	A	B	C			
<b>Single door</b>						
CKO12126	12	12	6	2a/1b	2a/ 1b	11.5
C12126	12	12	6	-	-	11.5
CKO18126	18	12	6	2a/3b	2a/1b	15
C18126	18	12	6	-	-	15
CKO24126	24	12	6	2a/3b	2a/3b	19
C24126	24	12	6	-	-	19
CKO16166	16	16	6	2a/3b	2a/3b	17
C16166	16	16	6	-	-	17
CKO18186	18	18	6	2a/3b	2a/3b	22
C18186	18	18	6	-	-	22
CKO20206	20	20	6	2a/3b	2a/3b	32
C20206	20	20	6	-	-	32
CKO24246	24	24	6	2a/3b	2a/3b	41
C24246	24	24	6	-	-	41
C202010	20	20	10	-	-	40
<b>Double door</b>						
C303012	30	30	12	-	-	62
C363612	36	36	12	-	-	81
C484812	48	48	12	-	-	132

Knockouts (Conduit Size) : a = 1/2" - 3/4" • b = 3/4" - 1"

**CKO / C Series**

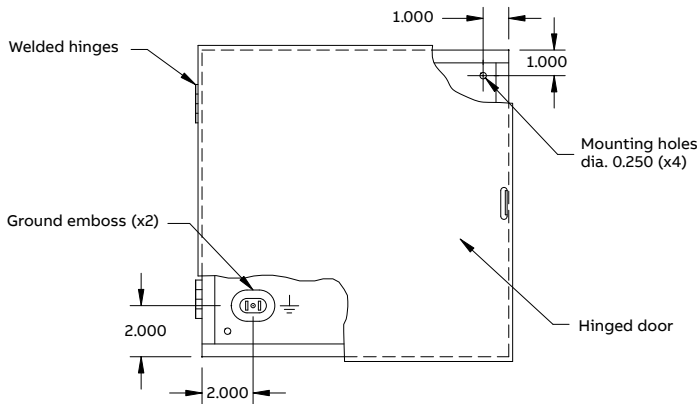
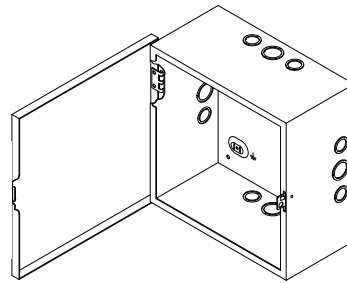
NEMA 1 - Hinged Door Boxes

Diagrams

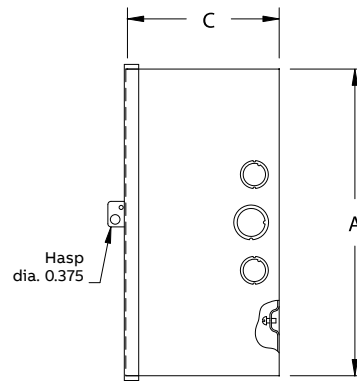


Top view

Standard knockouts, see table for quantity and sizes



Front view



Side view

## EL Series

### NEMA 1 - General Purpose Box



Type 1 enclosure used for various industrial applications. A small enclosure with BIG potential!

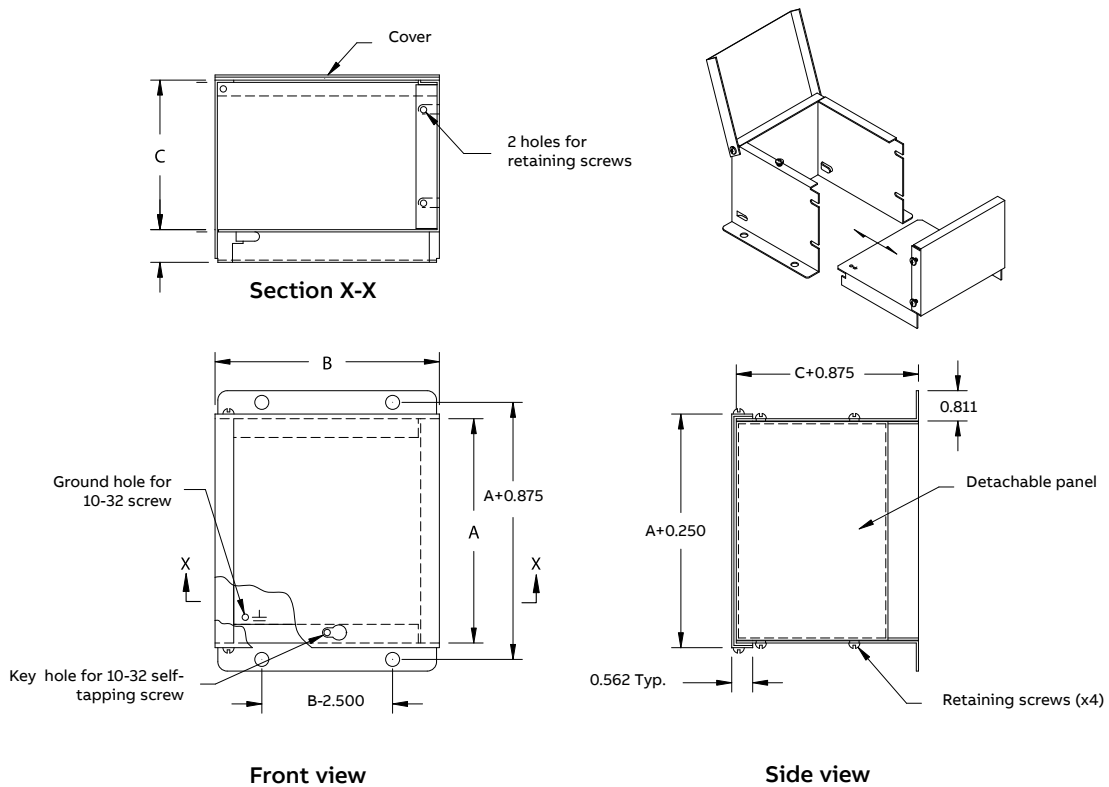
**Technical specifications:**

- 16 gauge steel
- Pre-punched side holes to accommodate screw-hinged cover
- Grounding screw provided with each model
- Punched in ground symbol
- All zinc plated assembly screws provided
- ANSI/ASA61 grey polyester textured powder coating inside out



Cat. No.	Dimensions			Weight lbs.
	A	B	C	
EL664	6	6	4	4
EL884	8	8	4	5
EL10104	10	10	4	7
EL12124	12	12	4	9
EL12126	12	12	6	10

**Diagrams**



# T Series

## NEMA 1 - Splitter Troughs



Type 1 enclosure designed for indoor distribution (600V maximum, Cu-Al).

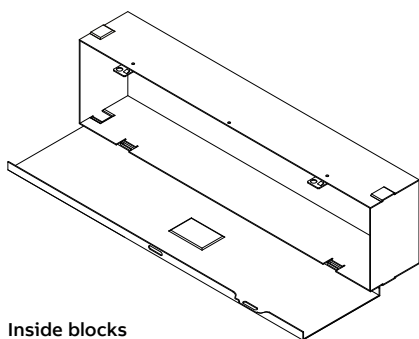
**Technical specifications:**

- 16 gauge steel
- Factory installed splitter blocks
- Retractable sealing hasp
- ANSI/ASA61 grey polyester textured powder coating inside out

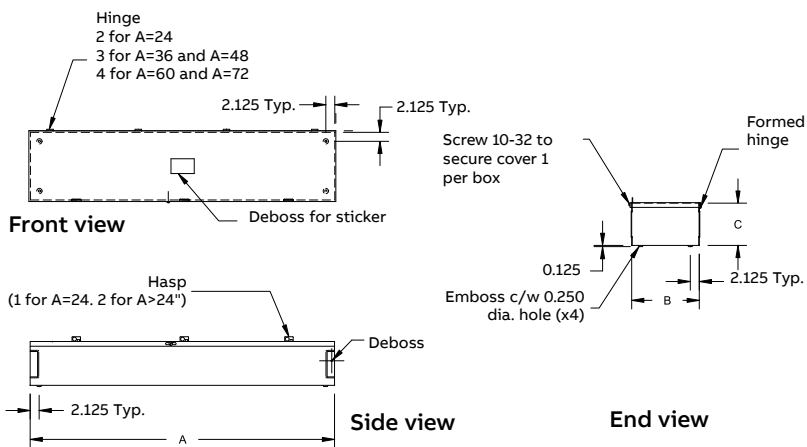


Cat. No.		Grounding kit (Optional)	Amps	Dimensions			Weight lbs.
3 wires	4 wires			A	B	C	
T273	T274	TGR200	70	24	6	4	12
T373	T374	TGR200	70	36	6	4	17
T473	T474	TGR200	70	48	6	4	21
T2103-Z	T2104	TGR200	125	24	6	4	12
T3103	T3104	TGR200	125	36	6	4	17
T4103	T4104	TGR200	125	48	6	4	21
T6103	T6104	TGR200	125	72	8	5	39
T2203	-	TGR200	225	24	8	5	16
T3203-Z	T3204	TGR200	225	36	8	5	22
T4203	T4204	TGR200	225	48	8	5	27
T5203	T5204	TGR200	225	60	8	5	33
T6203	T6204	TGR200	225	72	8	5	39
T3403	-	TGR400	400	36	10	6	35
T4403	T4404	TGR400	400	48	10	6	45
T5403	T5404	TGR400	400	60	10	6	58
T6403	T6404	TGR400	400	72	10	6	62
T4603	T4604	TGR600	600	48	10	6	45
T5603	T5604	TGR600	600	60	10	6	58
T6603	T6604	TGR600	600	72	10	6	62

**Diagrams**



Inside blocks not shown



## B Series

### NEMA 1 - Splitter Boxes



Type 1 enclosure designed for indoor distribution (600V maximum, Cu-Al).

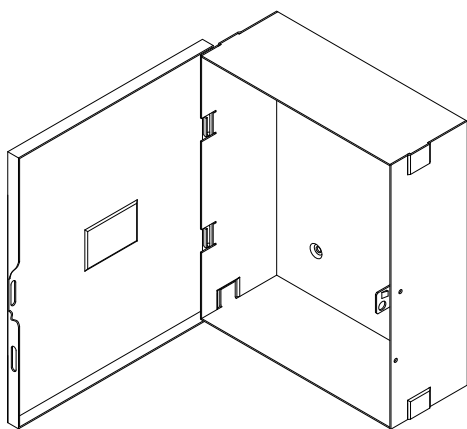
**Technical specifications:**

- 16 gauge steel
- Factory installed splitter blocks
- Retractable sealing hasp
- ANSI/ASA61 grey polyester textured powder coating inside out

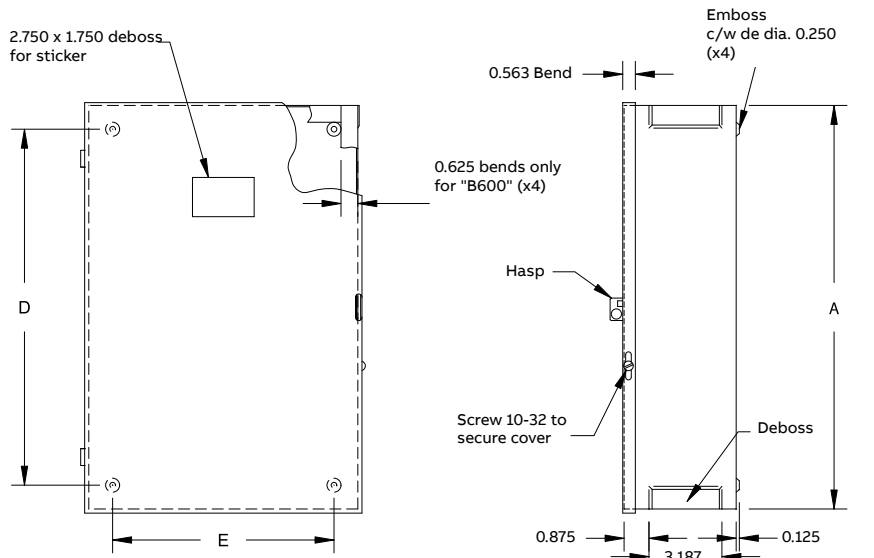


Cat. No.	3 wires	4 wires	Grounding kit (Optional)	Amps	Dimensions				Weight lbs.	
					A	B	C	D		E
B73-Z		B74-Z	BGR200	70	12	10	4	7.750	5.750	9
B103-Z		B104-Z	BGR200	125	12	10	4	7.750	5.570	9
B203-Z		B204-Z	BGR200	225	18	12	5	13.750	7.750	16
B403-Z		B404-Z	BGR400	400	24	17	6	19.750	12.750	37
B603-Z		B604-Z	BGR600	600	30	24	7	28.000	22.500	63

**Diagrams**

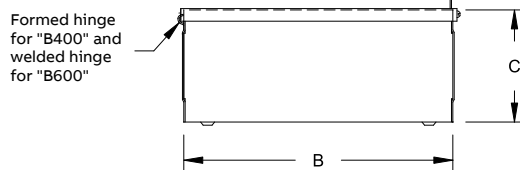


Inside blocks not shown

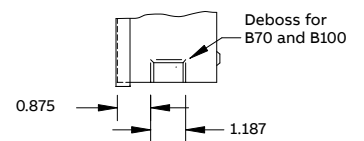


Front view

Side view



Bottom view



Side view

## FB Series

### NEMA 4, 12 - Splitter Boxes



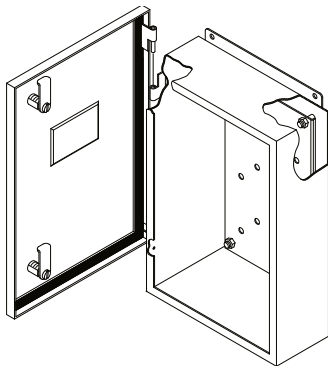
Type 4,12 enclosure designed for indoor/outdoor distribution (600V maximum, Cu-Al).

**Technical specifications:**

- 16 gauge steel
- Factory installed splitter blocks on 14 gauge mounting panel
- Seamless poured in place gasketed cover secured with 1/4 turn latches
- Continuously welded & ground smooth seams
- ANSI/ASA61 grey polyester textured powder coating inside out



Cat. No.	Grounding kit (Optional)		Amps	Dimensions			Weight lbs.	
	3 wires	4 wires		A	B	C		
FB73		FB74	BGR200	70	12	10	4	11
FB103		FB104	BGR200	125	12	10	4	11
FB203		FB204	BGR200	225	18	12	5	23
FB403		FB404	BGR400	400	24	17	6	47
FB603		FB604	BGR600	600	30	24	7	37



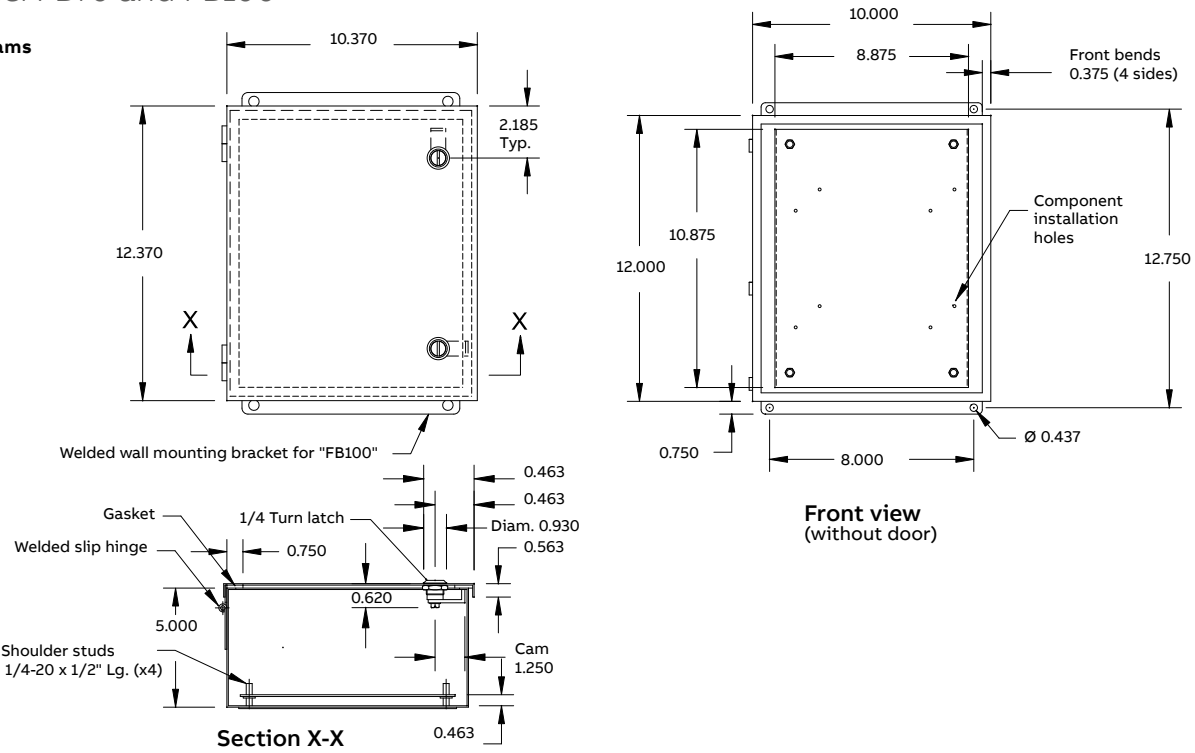
Inside blocks not shown

# FB Series

## NEMA 4, 12 - Splitter Boxes

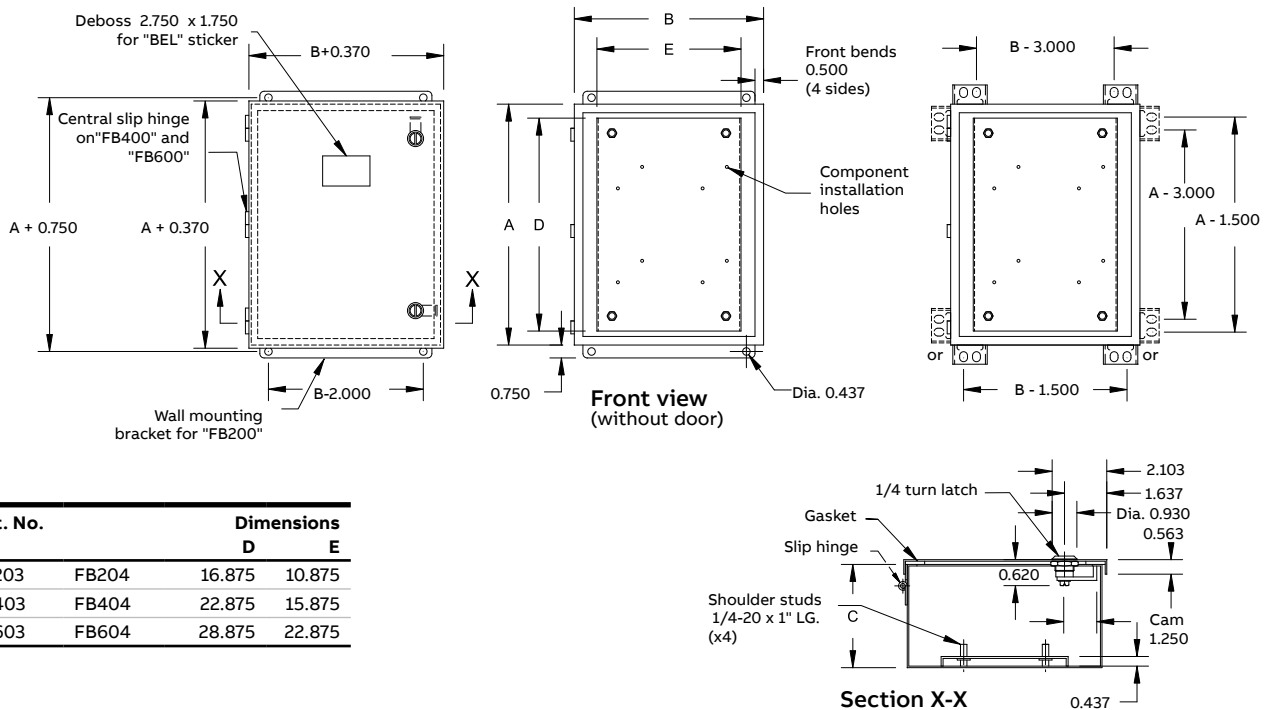
### Model FB70 and FB100

**Diagrams**



### Model FB200, FB400 and FB600

**Diagrams**



Cat. No.	Dimensions	
	D	E
FB203    FB204	16.875	10.875
FB403    FB404	22.875	15.875
FB603    FB604	28.875	22.875

**FT Series**

NEMA 4, 12 - Splitter Troughs



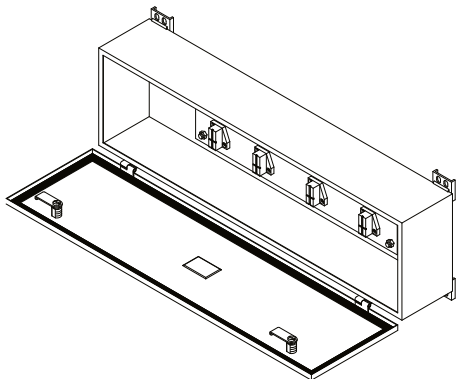
Type 4,12 enclosure designed for indoor/outdoor distribution (600V maximum, Cu-Al).

**Technical specifications:**

- 16 gauge steel
- Factory installed splitter blocks on 14 gauge mounting panel
- Seamless poured in place gasketed cover secured with 1/4 turn latches
- Continuously welded & ground smooth seams
- ANSI/ASA61 grey polyester textured powder coating inside out



Cat. No.	Grounding kit (Optional)		Amps	Dimensions			Weight lbs.	
	3 wires	4wires		A	B	C		
FT273		FT274	TGR200	70	24	6	4	17
FT373		FT374	TGR200	70	36	6	4	23
FT473		FT474	TGR200	70	48	6	4	28
FT2103		FT2104	TGR200	125	24	6	4	17
FT3103		FT3104	TGR200	125	36	6	4	23
FT4103		FT4104	TGR200	125	48	6	4	28
FT6103		FT6104	TGR200	125	72	8	5	75
FT2203		-	TGR200	225	24	8	5	21
FT3203		FT3204	TGR200	225	36	8	5	43
FT4203		FT4204	TGR200	225	48	8	5	55
FT5203		FT5204	TGR200	225	60	8	5	64
FT6203		FT6204	TGR200	225	72	8	5	75
FT3403		-	TGR400	400	36	10	6	43
FT4403		FT4404	TGR400	400	48	10	6	55
FT5403		FT5404	TGR400	400	60	10	6	64
FT6403		FT6404	TGR400	400	72	10	6	75
FT4603		FT4604	TGR600	600	48	10	6	55
FT5603		FT5604	TGR600	600	60	10	6	64
FT6603		FT6604	TGR600	600	72	10	6	75



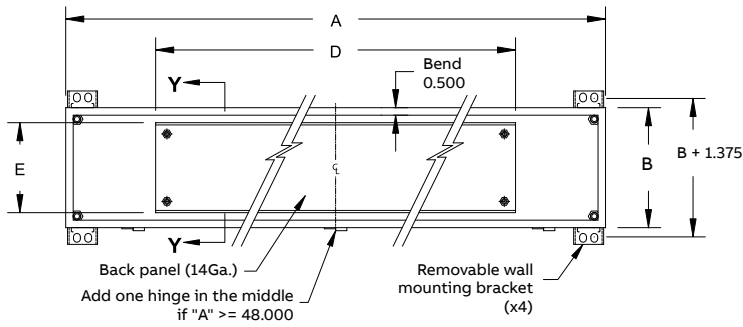
**FT Series**

NEMA 4, 12 - Splitter Troughs

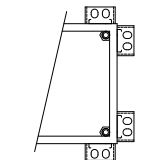


Cat. No.	Dimensions				
	A	B	C	D	E
FT270-Z & FT2100	24	6	5	18	4
FT370 & FT3100	36	6	5	20.75	4
FT470 & FT4100	48	6	5	25.625	4
FT2200	24	8	5	18	6
FT3200 & FT3400	36	10	6	24	8
FT4200	48	10	6	36	8
FT4400	48	10	6	36	8
FT4600	48	10	6	36	8
FT5200	60	10	6	35.375	8
FT5400	60	10	6	35.375	8
FT5600	60	10	6	35.375	8
FT6100	72	10	6	35.375	8
FT6200	72	10	6	35.375	8
FT6400	72	10	6	35.375	8
FT6600	72	10	6	35.375	8

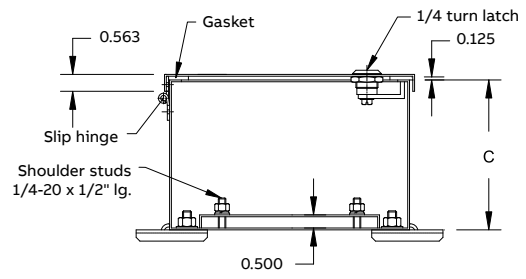
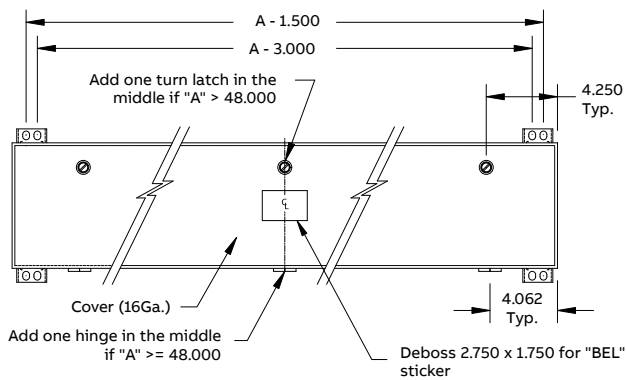
**Diagrams**



Front view (without door)



Position alternatif pour les pattes de fixation murale amovibles



Section Y-Y

## FB..SS & FT..SS Series

### NEMA 4X - Splitter Troughs, Boxes



Type 4x, enclosure designed for indoor/outdoor distribution (600V maximum, Cu-Al).

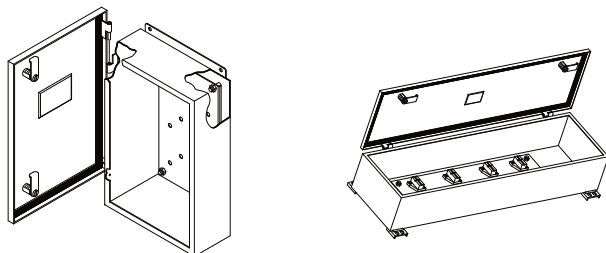
**Technical specifications:**

- 16 gauge 304-4 stainless steel, natural finish
- Factory installed splitter blocks on 14 gauge mounting panel
- Seamless poured in place gasketed cover secured with 304-4 stainless steel 1/4 turn latches
- Continuously welded & ground smooth seams
- Available empty



Cat. No.	Grounding kit (Optional)		Amps	Dimensions			Weight lbs.	
	3 wires	4 wires		A	B	C		
<b>Splitter troughs</b>								
FT2103SS		FT2104SS	TGR200	125	24	6	5	17
FT2203SS		-	TGR200	225	24	8	5	21
FT3103SS		FT3104SS	TGR200	125	36	6	5	23
FT3203SS		FT3204SS	TGR200	225	36	10	6	43
FT4103SS		FT4104SS	TGR200	125	48	6	5	28
FT4203SS		FT4204SS	TGR200	225	48	10	6	55
FT6403SS		FT6404SS	TGR400	400	72	10	6	75
<b>Splitter Boxes</b>								
FB103SS		FB104SS	BGR200	125	12	10	5	11
FB203SS		FB204SS	BGR200	225	18	12	5	23

**Diagrams**



## SBT & SBB Series

### Splitter Blocks

These blocks are used in our standard splitters. They can be used for tapping branch circuits off feeders. All blocks are rated 600 V.

#### Technical specifications:

- Cu-Al monopiece connectors secured to noryl insulators
- Some connectors used in the standard splitter boxes are secured to an aluminum plate (Cu-Al)
- Each block includes a main lug and branch lugs
- Can be installed in splitter troughs & boxes

### SBT Series



SBT70



SBT100



SBT200



SBT400



SBT600

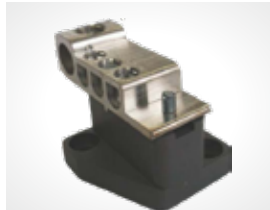
### SBB Series



SBB70



SBB100



SBB200



SBB400



SBB600



Cat. No.	Ampacity Main Lug	Max./Min. Wire Capacity	Ampacity Branch Lugs	Max./Min. Wire Capacity	Weight lbs.
SBT70	70	2-14	6/35	6 X (6-14)	0.75
SBT100	125	1/0-14	6/70	6 X (2-14)	0.75
SBT200	225	300*-6	6/125	6 X (2/0-14)	1
SBT400	400	600*-4 or 2 X (250*-1/0)	2/200, 4/230	2 X (3/0-14), 4 X (4/0-14)	2
SBT600	600	2 X (600*-2)	2/200, 4/230	2 X (3/0-14), 4 X (4/0-14)	3
<b>SBB (Splitter Blocks for Boxes)</b>					
SBB70	70	2-14	3/35	3 X (6-14)	0.5
SBB100	125	2/0-14	3/70	3 X (2/0-14)	0.75
SBB200	225	300*-6	3/125	3 X (2/0-14)	1
SBB400	400	2 X (250*-1/0)	2/225	2 X (300*-6)	2
SBB600	600	2 X (600*-2)	2/400	2 X (600*-4)	3

\* KCM

## BG Series

### NEMA 1 - Bus Gutters

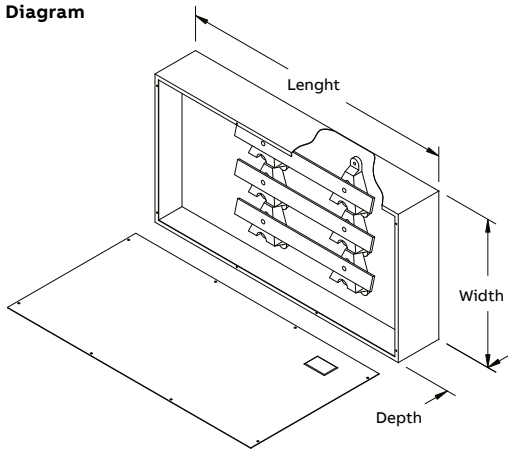


Type 1 enclosure designed for indoor distribution (600V maximum, Cu-Al). Offers more connection flexibility than FT/FB series and up to 2500 Amp rating on standard enclosures.

**Technical specifications:**

- Steel gauge according to size
- Cu-Al lugs approved on all busbars
- SCREW-ON cover
- Standard Aluminium Bars
- ANSI/ASA61 grey polyester textured powder coating inside out

Diagram



**How To Order:**










- Specify length (x), ampacity and number of wires (3 or 4) in catalog no. Ex. BG11-600-4 (11 feet - 600 Amps - 4 wire bus gutter)
- Specify number of main and secondary lugs for each busbar









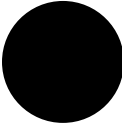
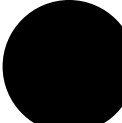




Cat. No.	Width (in.)	Depth (in.)	Weight According To Length (x)										
			3'	4'	5'	6'	7'	8'	9'	10'	11'	12'	
BG(x)200-3	13	5	36	46	57	66	76	117	131				
BG(x)400-3	19	6	63	102	124	142	164	192					
BG(x)600-3	21	7	74	120	147	167	193	226	252	285	306	332	
BG(x)800-3	21	7	74	120	147	167	193	226	252	285	306	332	
BG(x)1000-3	24	8			188	211	247	288	324	365	389	424	
BG(x)1200-3	24	8			188	211	247	288	324	365	389	424	
BG(x)1600-3	24	8				235	277	324	365	413	436	423	
BG(x)2000-3	28	14				313	332	389	439	501	522	572	
BG(x)2500-3	28	14				398	472	468	536	598	626	687	
BG(x)200-4	16	5	44	54	66	79	90	108	120				
BG(x)400-4	24	6	73	120	145	171	192	234	264	291			
BG(x)600-4	27	7	93	150	184	217	242	282	315	348	373	406	
BG(x)800-4	27	7	93	150	184	217	242	282	315	348	373	406	
BG(x)1000-4	30	8			234	277	305	237	402	453	481	525	
BG(x)1200-4	30	8			234	277	305	237	402	453	481	525	
BG(x)1600-4	30	8				317	345	406	457	517	445	597	
BG(x)2000-4	34	14				438	477	557	622	708	748	819	
BG(x)2500-4	34	14				523	569	662	748	842	887	974	

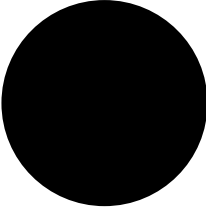
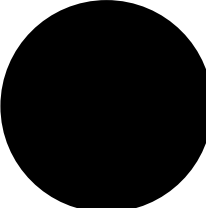
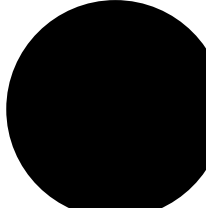
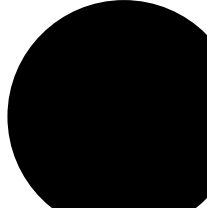
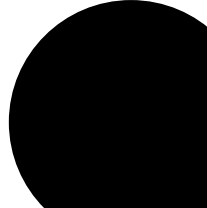
**BG Series**

Conductor Sizes

#18	#16	#14	#12	#10	#8	#6	#4	#3
								
Amperes, copper		15 A Cu	20 A Cu	30 A Cu	45 A Cu	65 A Cu	85 A Cu	100 A Cu
Amperes, aluminum			15 A Al	25 A Al	30 A Al	50 A Al	65 A Al	75 A Al

#2	#1	#0	#2/0	#3/0	#4/0
					
115 A Cu 90 A Al	130 A Cu 100 A Al	150 A Cu 120 A Al	175 A Cu 135 A Al	200 A Cu 155 A Al	230 A Cu 180 A Al

250 MCM	300 MCM	350 MCM	400 MCM	500 MCM	600 MCM
					
255 A Cu 205 A Al	285 A Cu 230 A Al	310 A Cu 250 A Al	335 A Cu 270 A Al	380 A Cu 310 A Al	420 A Cu 340 A Al

700 MCM	750 MCM	800 MCM	900 MCM	1000 MCM
				
460 A Cu 375 A Al	475 A Cu 385 A Al	490 A Cu 395 A Al	520 A Cu 425 A Al	545 A Cu 445 A Al

Amperage is based on three wires in one gutter with a maximum elevation of 23°C (75°F)

## B..LD Series

### NEMA 1 - Lay-In Wireway and Accessories



Type 1 enclosure designed for indoor use to run electrical wiring

#### Technical specifications:

- 16 steel gauge
- Joiner supplied with each length
- Retractable sealing hasp
- ANSI/ASA61 grey polyester textured powder coating inside out

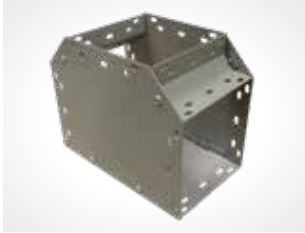


Wire sizes	Dimension of Wires		Maximum Number of Wires of Same Capacity					
	Types RW75 R90	Types T, TW, TWH RW75 (X-Link) RW90 (X-Link)	64mm x 64mm (2.5" x 2.5")		102mm x 102mm (4" x 4")		152mm x 152mm (6" x 6")	
	A	B	A	B	A	B	A	B
14	0.0327	0.0135	38	92	97	200	200	200
12	0.0384	0.0172	32	72	83	186	187	200
10	0.0460	0.0224	27	55	69	142	156	200
8	0.0760	0.0475	16	26	42	67	94	151
6	0.1238	0.0819	10	15	25	39	58	87
4	0.1605	0.1087	7	11	19	29	44	66
3	0.1817	0.1263	6	9	17	25	39	57
2	0.2067	0.1473	6	8	15	21	34	48
1	0.2715	0.2027	4	6	11	15	26	35
0	0.3107	0.2367	4	5	10	13	23	30
00	0.3578	0.2781	3	4	8	11	20	25
000	0.4151	0.3288	3	3	7	9	17	21
0000	0.4840	0.3904	2	3	6	8	14	18
250MCM	0.5917	0.4877	2	2	5	6	12	14
300MCM	0.6837	0.5581	1	2	4	5	10	12
350MCM	0.7620	0.6291	1	1	4	5	9	11
400MCM	0.8365	0.6969	1	1	3	4	8	10
500MCM	0.9834	0.8316	1	1	3	3	7	8
600MCM	1.1940	1.0261	1	1	2	3	6	7
700MCM	1.3355	1.1575	-	1	2	2	5	6

## Série B..LD

### NEMA 1 - Lay-In Wireway and Accessories

#### Accessories



Description	Catalog No. 2.5" x 2.5"	Weight lbs.	Catalog No. 4" x 4"	Weight lbs.	Catalog No. 6" x 6"	Weight lbs.
12" Wireway Section	B21LD	2	B41LD	4	B61LD	5
24" Wireway Section	B22LD	4	B42LD	7	B62LD	10
60" Wireway Section	B25LD	11	B45LD	18	B65LD	26
96" Wireway Section	B28LD	20	B48LD	33	B68LD	49
<b>Accessories</b>						
90° Elbow	B290E	1.25	B490E	2	B690E	4
45° Elbow	B245E	1.25	B445E	1.5	B645E	2.5
22.5° Elbow	B225E	1	B425E	1.5	B625E	2
Tee Fitting	B2T	1.5	B4T	2.5	B6T	4
Cross Fitting	B2CF	2	B4CF	2.25	B6CF	4
Hanger (hori. & vert.)	B2h	0.25	B4h	0.5	B6h	0.75
Closing Plate	B2CP	0.25	B4CP	0.5	B6CP	1
Adaptor	B2AD	0.25	B4AD	0.75	B6AD	1
Reducer 4" to 2.5"	-	-	B42R	1.5	-	-
Reducer 6" to 4"	-	-	-	-	B64R	2
Joiner	B2J	0.25	B4J	0.5	B6J	0.75
12" Barrier*	B21B	0.5	B41B	1	B61B	1
24" Barrier*	B22B	1	B42B	2	B62B	3
60" Barrier*	B25B	3	B45B	5	B65B	7
96" Barrier*	B28B	5	B48B	9	B68B	14

\* Barrier designed for field installation

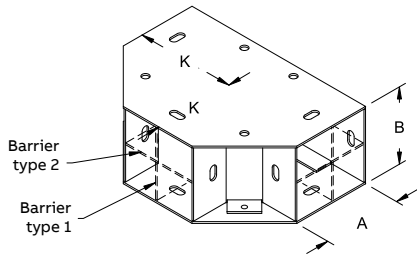
## B..LD Series

### NEMA 1 - Lay-In Wireway and Accessories

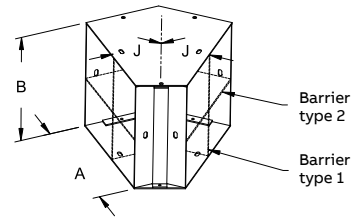


Duct size		G	J	K	N	S	U	V	W
A	B								
2.500	2.500	4.625	2.406	3.313	7.500	6.250	3.313	2.063	5.188
4.000	4.000	6.125	2.688	4.063	9.500	7.125	4.063	2.156	6.888
6.000	6.000	8.125	3.094	5.063	14.000	9.500	5.063	2.375	8.688

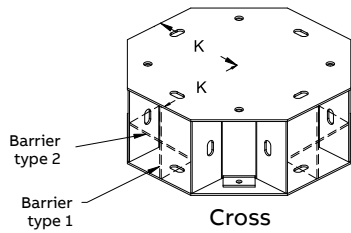
#### Diagrams



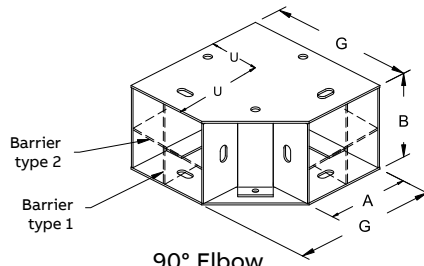
Tee



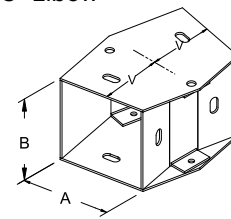
45° Elbow



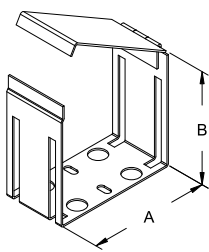
Cross



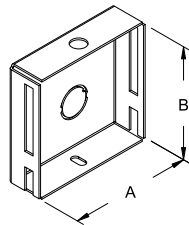
90° Elbow



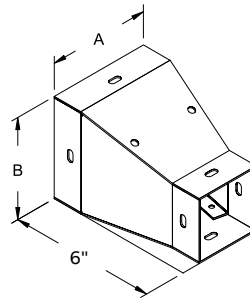
22.5° Elbow



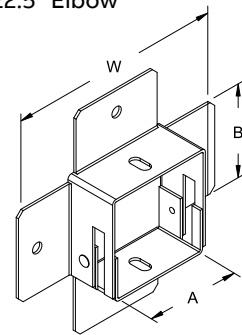
Joiner



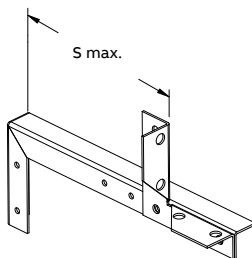
Closing plate



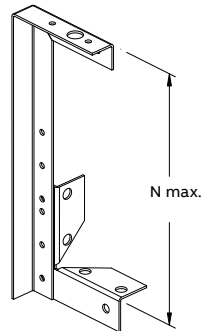
Reducer



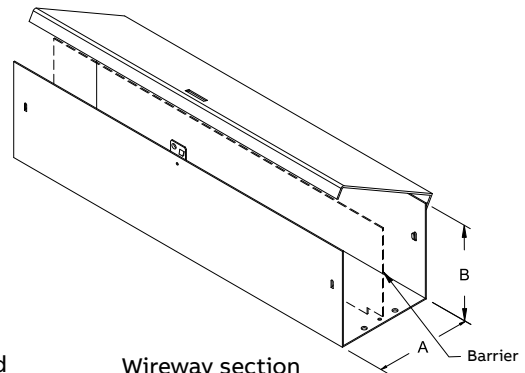
Adaptor



Hanger horizontally mounted



Hanger vertically mounted



Wireway section

## TCS and TCF Series

### NEMA 1 - Telephone Cabinets



TCS



TCF

Type 1 traditionally called “telephone cabinets”, TCS and TCF enclosures are not limited to housing telephone equipment. They are often used in hospitals, schools and hotels to centralize switches and dimmers for instance, the plywood mounting panel eliminating electrical noise these devices tend to generate. They can also be used to hide a bulky piece of control equipment or simply as top of the line junction boxes, when esthetics come into play.

#### Technical specifications:

- 16 or 14 gauge steel, depending on enclosure size
- 14 gauge steel door(s)
- Single door on 24” wide and under enclosures models; double doors on greater than 24” wide models
- 3/4” lip all around on flush cover
- 1/4 turn lock provided with two (2) keys
- ANSI/ASA61 grey polyester textured powder coating inside out

#### How to order:

- Specify TCS for surface mounting
- Specify TCF for flush mounting
- Specify KO for Knockouts (1/2” - 3/4”)
- Specify WB for wood back (TCFKO24246WB =24”x24”x6” Flush mounting cabinet complete with knockouts & wood back)

Single door				Double door					
Cat. No.	Dimensions (box)			Wt. lbs.	Cat. No.	Dimensions (box)			Wt. lbs.
	A	B	C			A	B	C	
TC(x)12126	12	12	6	13	TC(x)30306	30	30	6	59
TC(x)18126	18	12	6	18	TC(x)36306	36	30	6	64
TC(x)24186	24	18	6	32	TC(x)36366	36	36	6	115
TC(x)24246	24	24	6	40	TC(x)48306	48	30	6	126
TC(x)30246	30	24	6	49	TC(x)48366	48	36	6	157
TC(x)36246	36	24	6	57	TC(x)48486	48	48	6	195
TC(x)12128	12	12	8	15	TC(x)30308	30	30	8	63
TC(x)18128	18	12	8	20	TC(x)36308	36	30	8	115
TC(x)24188	24	18	8	35	TC(x)36368	36	36	8	121
TC(x)24248	24	24	8	44	TC(x)48308	48	30	8	133
TC(x)30248	30	24	8	52	TC(x)48368	48	36	8	157
TC(x)36248	36	24	8	61	TC(x)48488	48	48	8	203

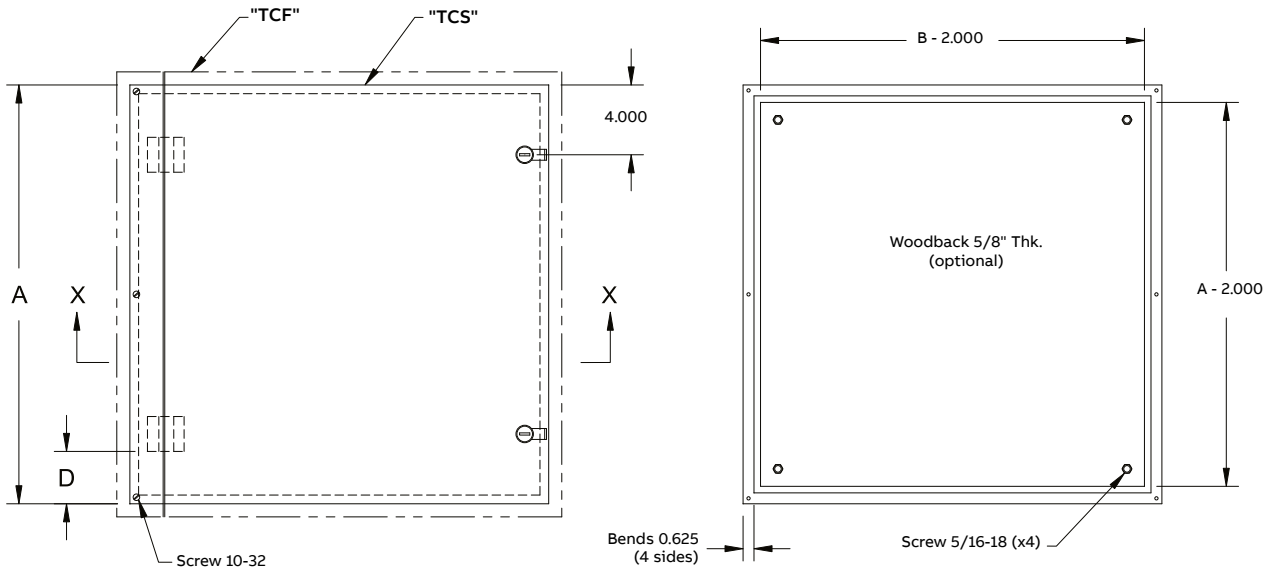
(x) Specify “S” for surface mounting or “F” for flush

## TCS and TCF Series

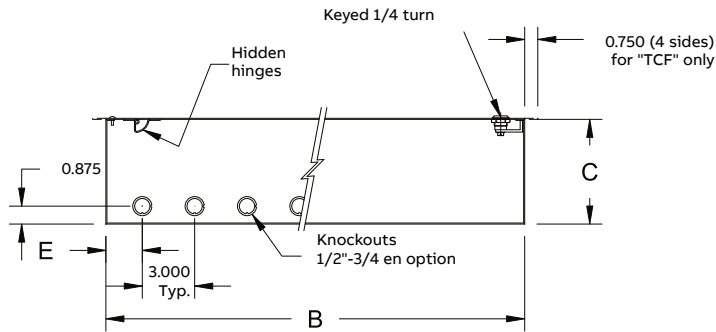
NEMA 1 - Telephone Cabinets

Height A	Qty. 1/4 Turn Keyed Latches	Qty. Hinges	D	A or B	E	Qty. Knockouts 1/2" - 3/4" (Optional)
12	1	2	2.0	12	3.000	3
18	1	2	2.0	18	3.000	5
24	2	2	3.0	24	6.000	5
30	2	3	3.0	30	6.000	7
36	3	3	3.0	36	6.000	9

### Diagrams



Front view  
(sans porte)



Section X-X

## DWPF Series

### NEMA 3R - Screw Cover Gasketed Boxes



Type 3R weatherproof enclosure generally used as a junction or pull box.

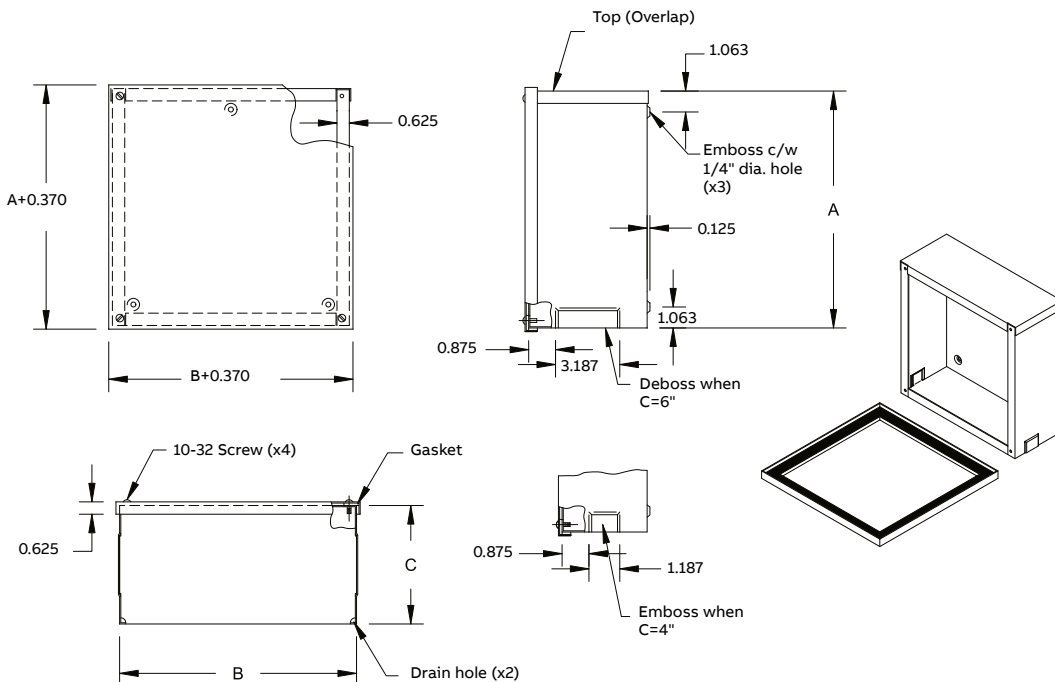
**Technical specifications:**

- 16 gauge steel,
- Mounting holes on back for vertical installation only
- Grounding emboss & grounding screw
- ANSI/ASA61 grey polyester textured powder coating inside out
- Seamless poured in place gasketed cover held in place with screws
- 2 drain holes



Cat. No.	Dimensions (box)			Weight lbs.
	A	B	C	
DWPF664	6	6	4	3.5
DWPF884	8	8	4	5
DWPF886	8	8	6	6
DWPF10104	10	10	4	7
DWPF10106	10	10	6	8
DWPF12124	12	12	4	9
DWPF12126	12	12	6	10
DWPF16166	16	16	6	16
DWPF18186	18	18	6	20
DWPF24246	24	24	6	31.5

**Diagrams**



## BPS Series

### NEMA 3R - Splitter Boxes



Type 3R enclosure designed for indoor/outdoor distribution.

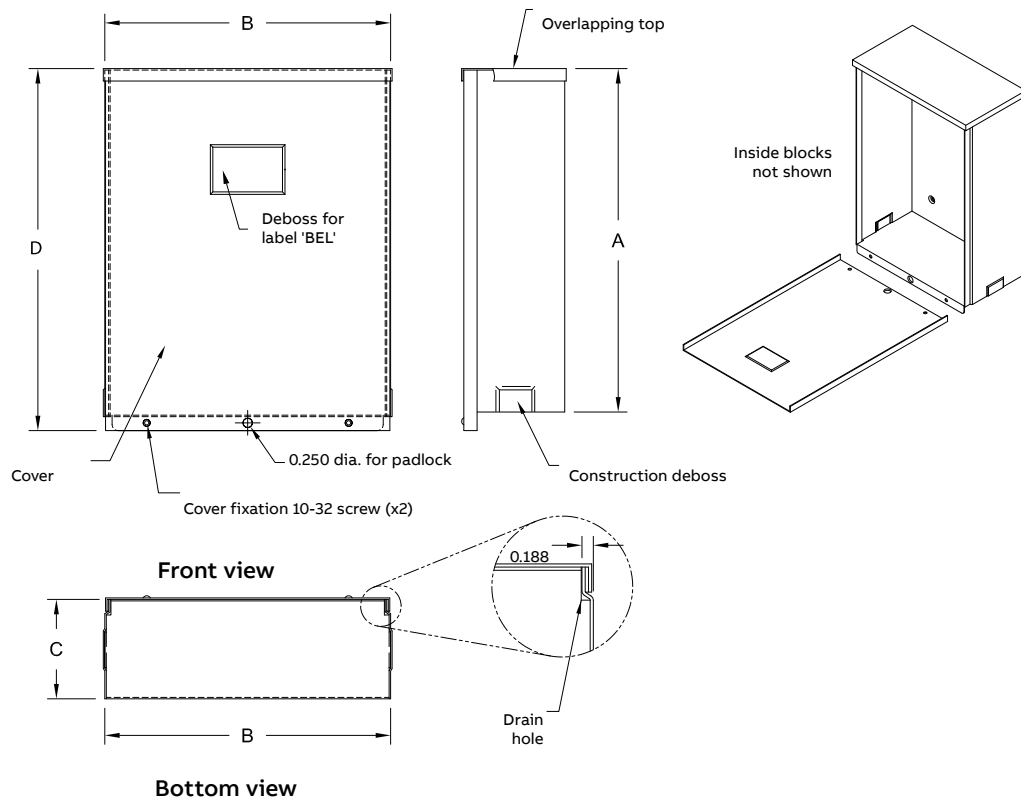
**Technical specifications:**

- BPS: ungasketed sliding cover
- VFB: gasketed slip hinged cover
- Retractable sealing flap
- Both models supplied with three (3) blocks and one (1) Grounding strip
- 16 galvanized steel gauge Natural Finish



Cat. No.	Capacity Per Block	Ground Strip	A	B	C	D
BPS100	1-1/0 to 14 6-2 to 14	3 x (4-14)	14"	8 7/8"	4"	14 9/14"
BPS200	1-300 MCM 6-2/0 à 14	3 x (4-14)	14"	11 1/2"	4"	14 9/16"
BPS200-LG	1-300 MCM 6-2/0 to 14	3 x (4-14)	18 5/6"	11"	5 1/2"	19 1/2"
BPS400LG	1x 600-4 or 2x (250-1/0) 2x 3/0-14 and 4 x 4/0-6	3 x (4-14)	19 5/16"	20"	6"	10 1/16"

**Diagrams**



## VFB Series

### NEMA 3R - Splitter Boxes



Type 3R enclosure designed for indoor/outdoor distribution.

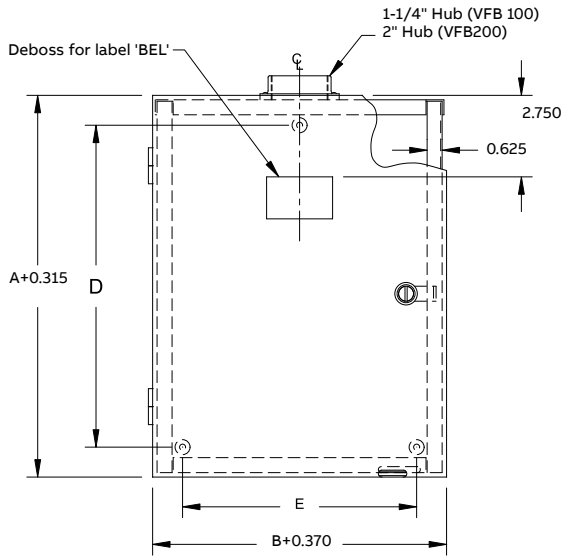
**Technical specifications:**

- BPS: ungasketed sliding cover
- VFB: gasketed slip hinged cover
- Retractable sealing hasp
- Both models supplied with three (3) blocks and one (1) Grounding strip
- 16 galvanized steel gauge Natural Finish

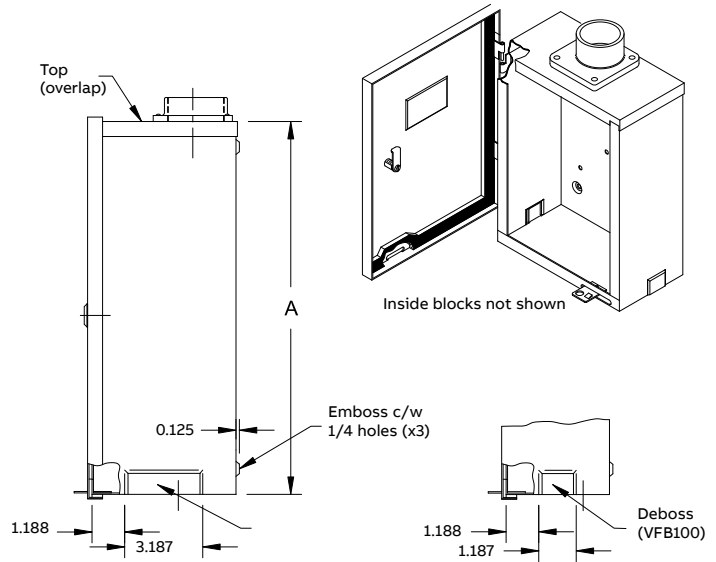


Cat. No.	Capacity Per Block	Ground Strip	Hub Top Entry	A	B	C	D	E
VFB100	4-2/0 to 14	3 x (4-14)	1 1/4"	11 1/16"	8 3/32"	4 7/32"	8 7/16"	5 27/32"
VFB200	2-300 MCM 3-2/0 to 14	3 x (4-14)	2"	18"	11 7/8"	5 5/16"	13 7/8"	7 7/8"

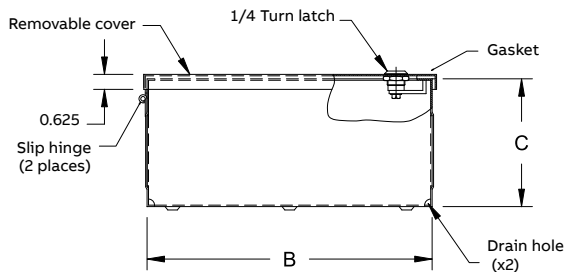
**Diagrams**



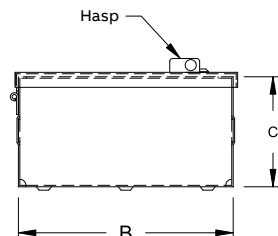
Front view



Side view



Bottom view VFB200



Bottom view VFB100

## AMC Series

### NEMA 3R - Metering Cabinets



Type 3R enclosure designed for indoor/outdoor housing of metering transformers.

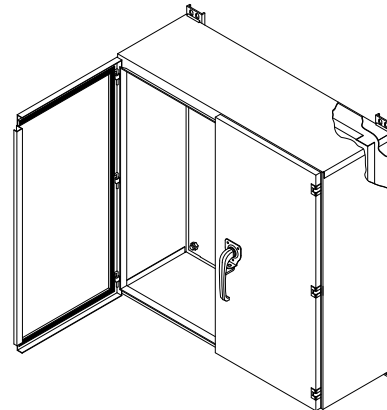
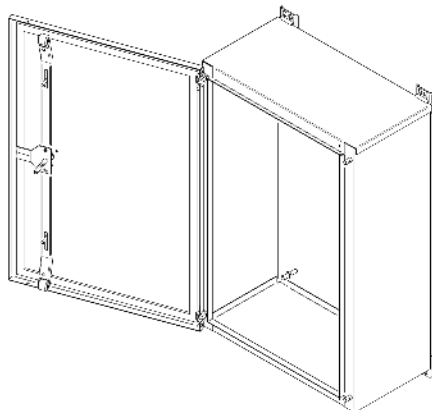
**Technical specifications:**

- 16 or 14 steel gauge
- Tack welded construction
- Neoprene gasketed doors
- Padlock hasp
- Removable mounting panel
- Three point lock vault handle (one point lock on AMC202010-A8F)
- Nylon rollers on latch rods (three point lock only)
- ANSI/ASA61 grey polyester textured powder coating inside out



Cat. No.	Dimensions (box)			Panel D x E	Weight lbs.
	A	B	C		
<b>Single door</b>					
AMC271310	27	13	10	24 x 10	36.5
AMC202010-A8F	20	20	10	17 x 17	40
AMC302010	30	20	10	27 x 17	67
<b>Double door</b>					
AMC303010	30	30	10	27 x 27	90
AMC363612	36	36	12	33 x 33	129
AMC484812	48	48	12	45 x 45	208

**Diagrams**

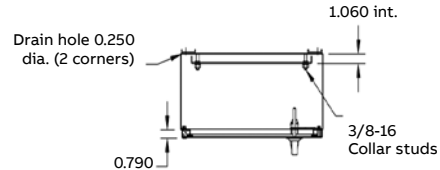
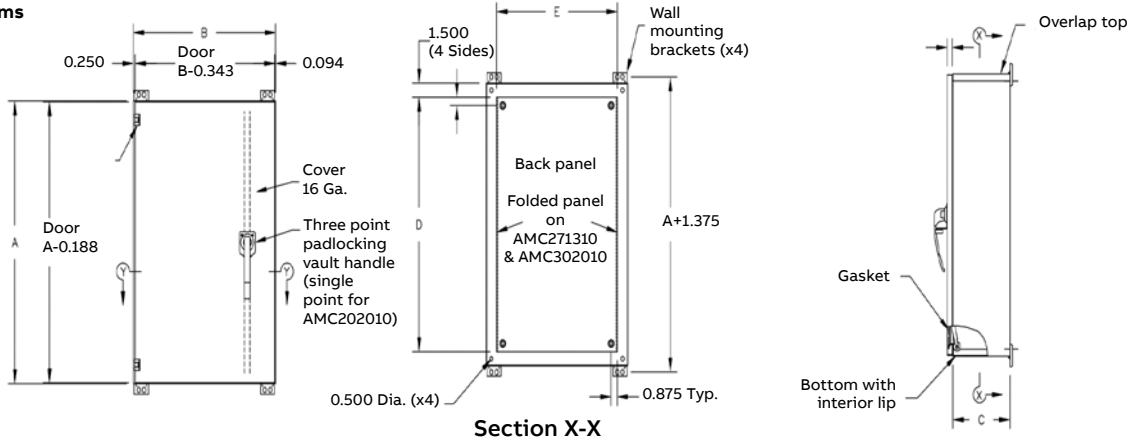


# AMC Series

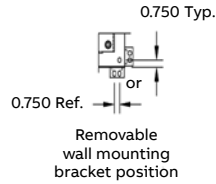
## NEMA 3R - Metering Cabinets

### Single door

**Diagrams**

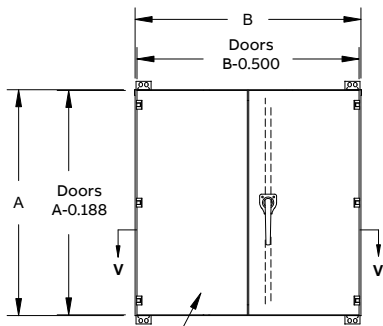


**Section Y-Y**

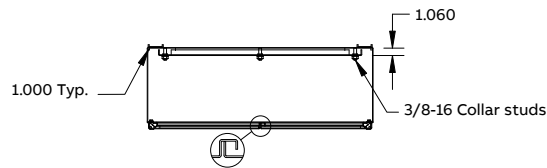


### Double door

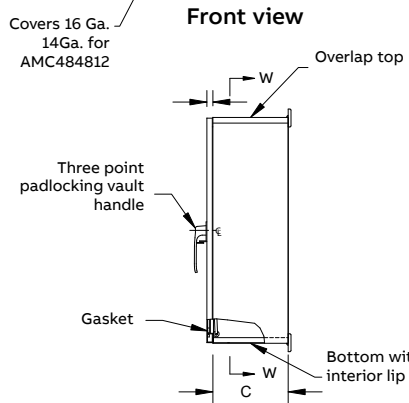
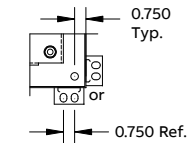
**Diagrams**



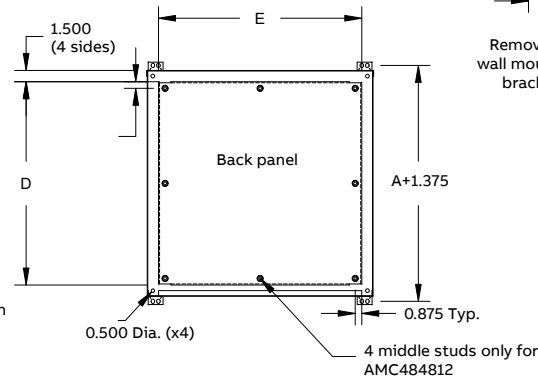
**Front view**



**Section V-V**



**Side view**



**Section W-W**

Removable wall mounting bracket

## MC Series

### NEMA 1 - Metering Cabinets



Type 1 enclosure designed for indoor housing of metering transformers.

#### Technical specifications:

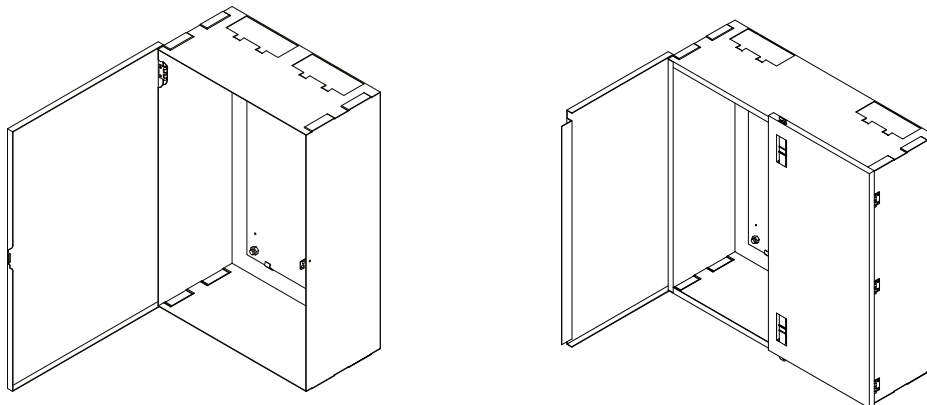
- 16 or 14 steel gauge
- Hinged door
- Retractable sealing hasp
- Removable mounting panel
- Grounding hole on mounting panel with grounding screw
- ANSI/ASA61 grey polyester textured powder coating inside out



Cat. No.	Dimensions (box)			Panel D x E	Weight lbs.
	A	B	C		
<b>Single door</b>					
MC271310*	27	13	10	23 x 9	32
MC202010	20	20	10	16 x 16	38
MC302010	30	20	10	26 x 16	51
<b>Double door</b>					
MC303010	30	30	10	26 x 26	71
MC363612	36	36	12	32 x 32	121
MC484812	48	48	12	44 x 44	200

\* No meter plates

#### Diagrams

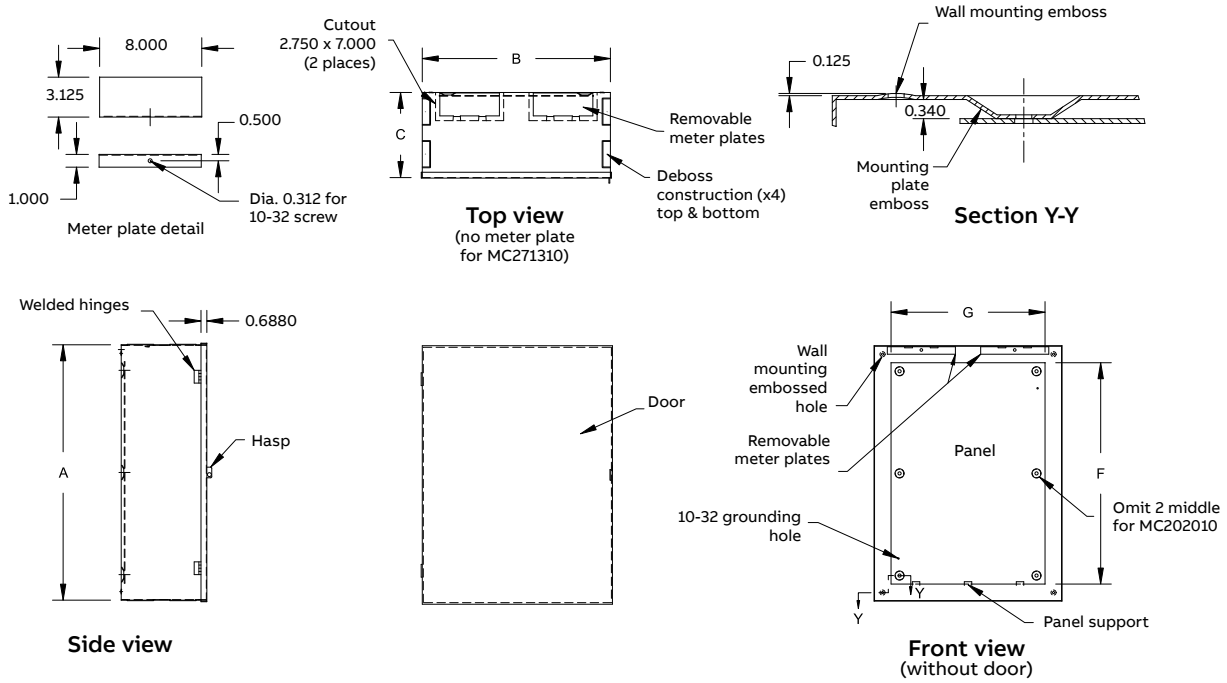


# MC Series

## NEMA 1 - Metering Cabinets

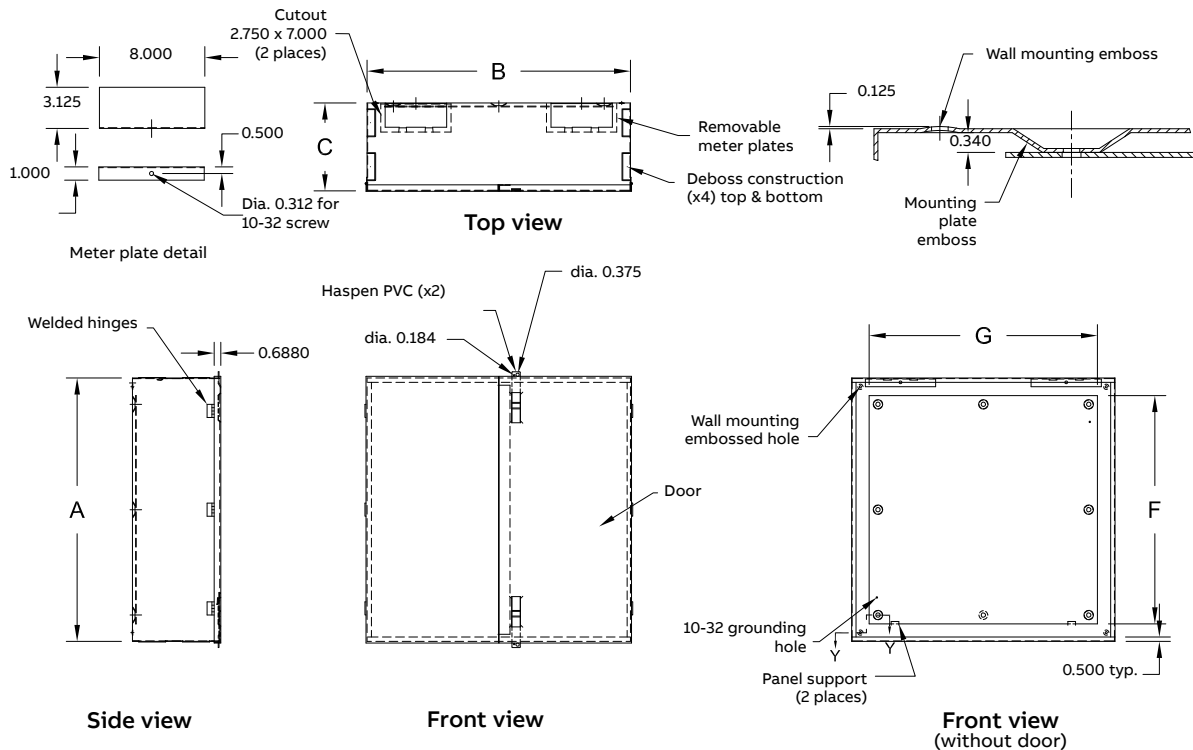
### Single door

**Diagrams**



### Double door

**Diagrams**



## C-UG Series

### NEMA 1 - Metering Cabinets



Type 1 enclosure designed for indoor housing of metering transformers for underground installation.

#### Technical specifications:

- 16 or 14 steel gauge
- Hinged door
- Sliding padlocking hasp (developed by BEL; Hydro Quebec & Hydro Ontario approved) on double door models
- ANSI/ASA61 grey polyester textured powder coating inside out



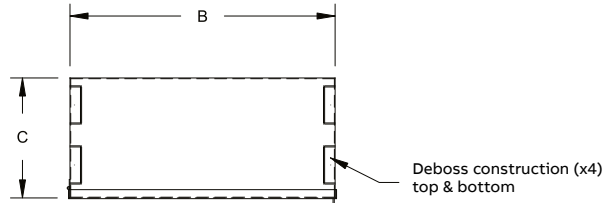
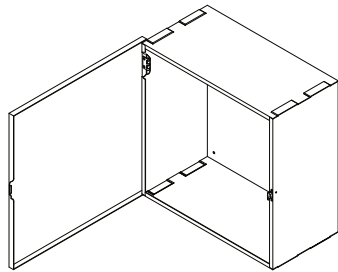
Cat. No.	Dimensions (box)			Weight lbs.
	A	B	C	
<b>Single door</b>				
C202010UG	20	20	10	32
<b>Double door</b>				
C303010UG	30	30	10	70
C363612UG	36	36	12	92
C484812UG	48	48	12	182

**C-UG Series**

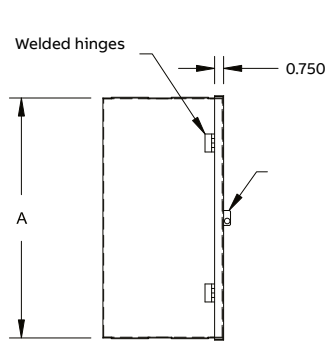
NEMA 1 - Metering Cabinets

Single door

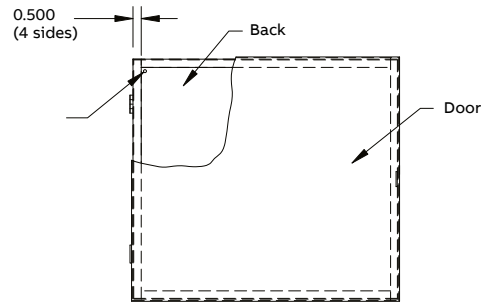
Diagrams



Top view



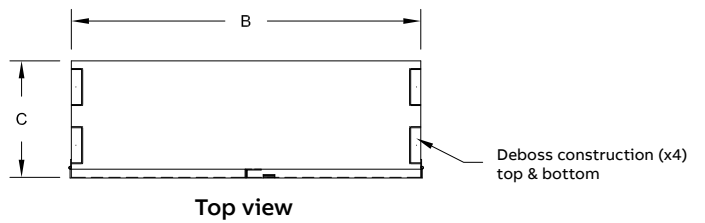
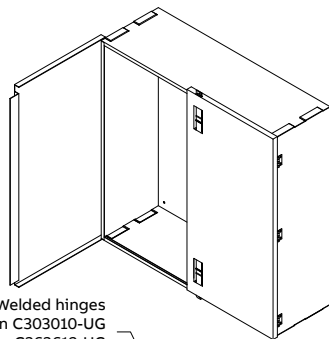
Side view



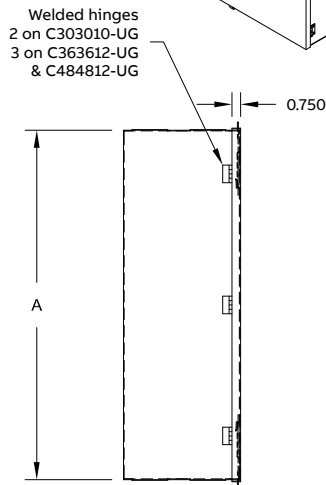
Front view

Double door

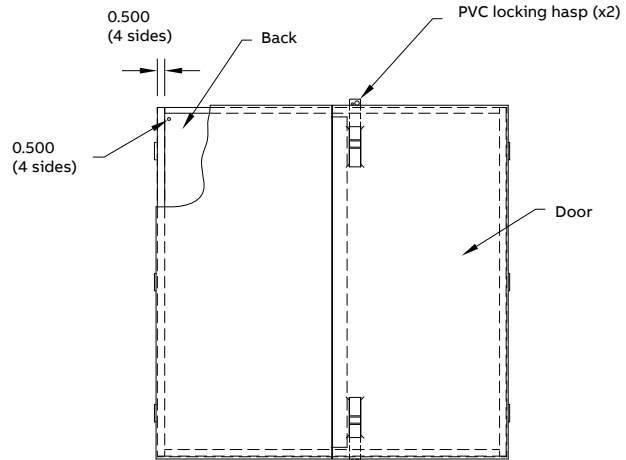
Diagrams



Top view



Side view



Front view

## MC-HQ Series

### NEMA 1 - Metering Cabinets



Type 1 enclosure designed for indoor housing of metering transformers, for Quebec only.

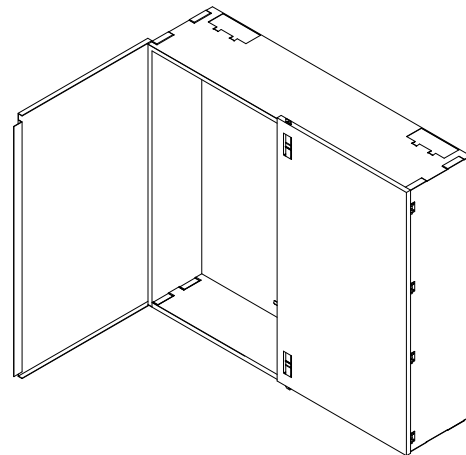
#### Technical specifications:

- 16 or 14 steel gauge
- Hinged door
- Retractable sealing hasp
- Removable mounting panels
- Grounding hole on mounting panel with grounding screw
- ANSI/ASA61 grey polyester textured powder coating inside out



Cat. No.	Dimensions (box)			Weight lbs.
	A	B	C	
MC303010HQ	30	30	10	71
MC363612HQ	36	36	12	121
MC484812HQ	48	48	12	200

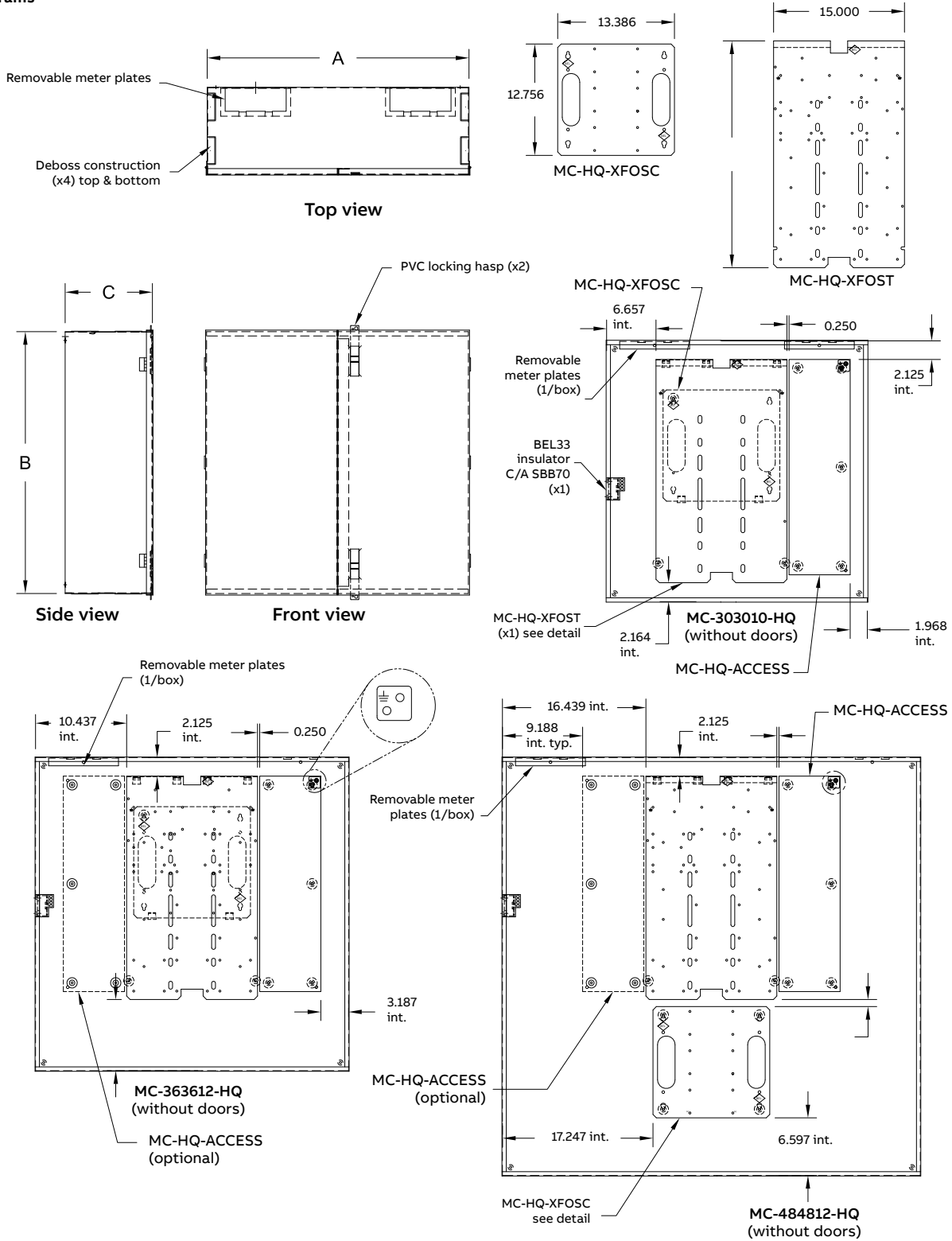
#### Diagram



# MC-HQ Series

## NEMA 1 - Metering Cabinets

### Diagrams



## GT Series

### NEMA 1 - Gutter Through



Type 1 enclosure, use as a junction or pull boxes and are suitable for surface mounting with a screw cover.

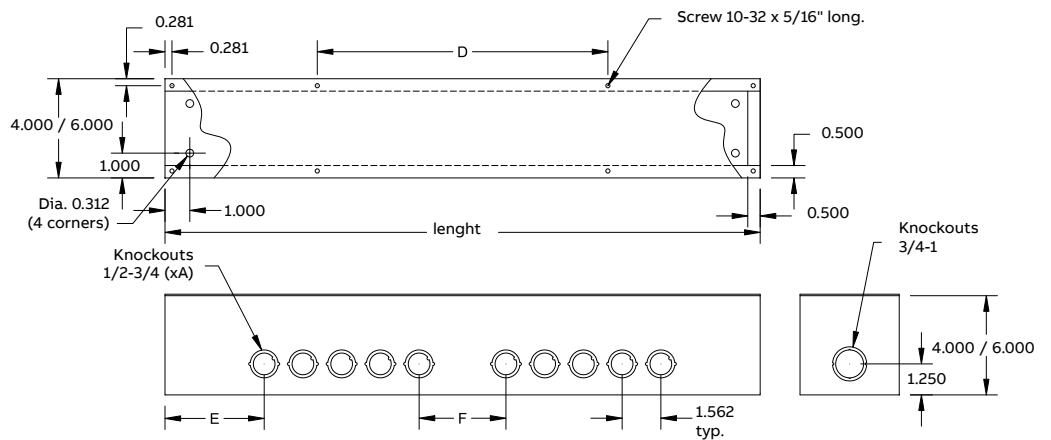
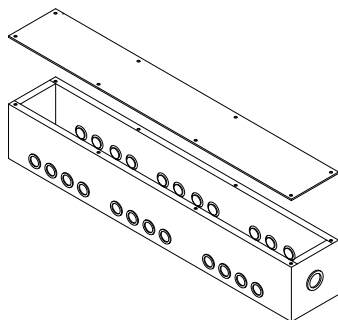
**Technical specifications:**

- Boxes and covers are made from 16 GA steel.
- Screw on cover.
- Four mounting holes, groundig screw provided.
- ANSI/ASA61 grey polyester textured powder coating inside out.



Cat. No.	Knockouts	Dimensions (box)			Length
		A	D	F	
GT1244	10		11.438	2.875	12
GT1266	10		11.438	2.875	12
GT1844	10		8.719	5.875	18
GT1866	10		8.719	5.875	18
GT2444	20		11.719	4.000	24
GT2466	20		11.719	4.000	24
GT3644	30		11.813	4.625	36
GT3666	30		11.813	4.625	36
GT4844	40		11.859	4.750	48
GT4866	40		11.859	4.750	48

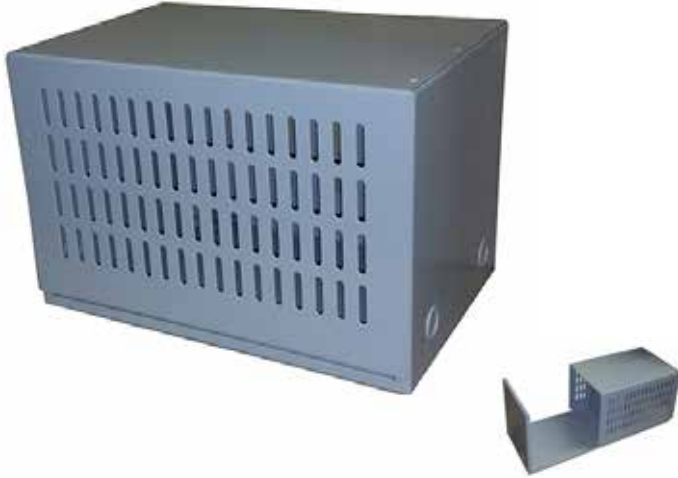
**Diagrams**



Front view

## VE Series

### NEMA 1 - Ventilated Enclosures



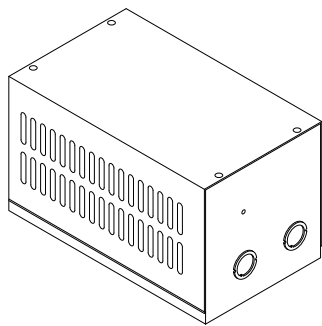
Type 1 enclosures, used as general purpose whenever the contents requires ventilation.

**Technical specifications:**

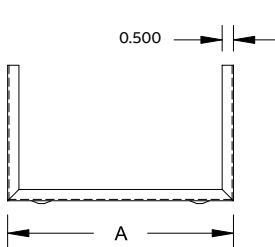
- Box and cover are made from 16 GA steel
- Two knockouts on the smaller sides
- Larger sides are fully vented
- Ventilated cover, fixed by four screws
- Four embossed mounting holes
- Grounding hole
- ANSI/ASA61 grey polyester textured powder coating inside out



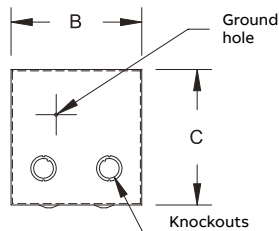
**Diagrams**



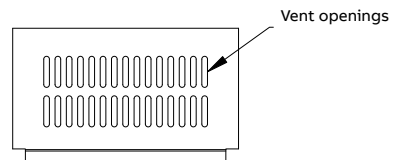
Cat. No.	Dimensions		
	A	B	C
VE100603	10.000	6.000	3.000
VE100606	10.000	6.000	6.000
VE120808	12.000	8.000	8.000
VE151008	15.000	10.000	8.000
VE151010	15.000	10.000	10.000
VE151314	15.250	13.250	14.250
VE181617	18.250	16.250	17.250
VE181812	18.000	18.000	12.000
VE201010	20.000	10.000	10.000
VE202020	20.250	20.250	20.250
VE222215	22.000	22.000	15.000
VE253030	25.000	30.000	30.000
VE441010	44.000	10.000	10.000



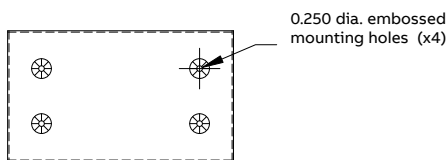
Front view



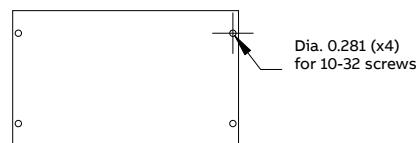
Side view



Cover front view



Bottom view



Cover top view

---

# Industrial

In the industrial sector, our enclosures provide maximum protection against the elements, contaminants, and harsh conditions.

**Their design, focused on accessibility, makes identification and servicing easier. This helps your teams speed up diagnostics and reduce downtime, while ensuring compliance with the strictest standards.**

## Essentials for your installations

- Single-door enclosures
- Double-door enclosures
- Free-standing cabinets
- Consoles
- Push-button enclosures
- Sealed wireways
- Pedestals and bases

## Application examples

- **Indoor control stations (Type 1):** protection of pneumatic, hydraulic, or electrical control instruments.
- **Demanding indoor/outdoor environments (Type 4/4X/12, IP-65):** general-purpose enclosures designed to protect instruments in the field.
- **High-corrosion areas (stainless steel):** indoor or outdoor use where corrosion resistance is critical for instrument protection.
- **Applications requiring tight sealing and secure access:** gasketed covers,  $\frac{3}{4}$  latches.



## K Series

### NEMA 1 - Single Door Enclosures



Type 1 general purpose enclosure designed to house electrical, pneumatic or hydraulic instruments.

#### Technical specifications:

- 16 or 14 gauge steel
- Slip hinges enabling door removal for easier access and mounting
- 1/4 turn latch
- 14 or 12 gauge galvanized steel panel on collar studs natural finish (unpainted)
- Grounding stud on inner cover surface
- Grounding hole on mounting panel with grounding screw
- ANSI/ASA61 grey polyester

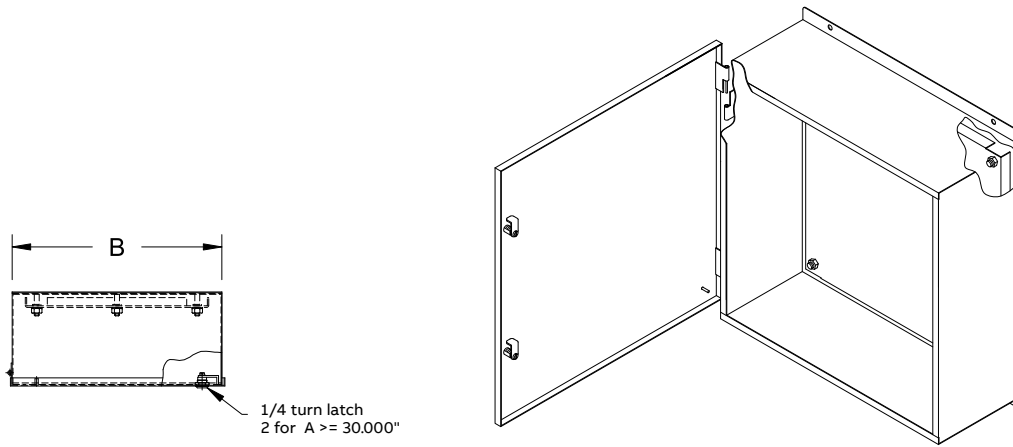


Cat. No.	Dimensions				Panel E	Mounting holes		1/4 turn Qty.	Weight lbs.
	A	B	C	D		F	G		
K161208	16	12	8	15	11	16.5	9.5	1	26
K201608	20	16	8	18	14	21.5	10	1	38
K202008	20	20	8	18	18	21.5	14	1	45
K242008	24	20	8	22	18	25.5	14	1	53
K242010-Z	24	20	10	22	22	25.5	14	1	57
K242410	24	24	10	22	18	25.5	18	1	66
K302008	30	20	8	28	22	31.5	14	2	65
K302408	30	24	8	28	22	31.5	18	2	77
K302410	30	24	10	28	22	31.5	18	2	83
K302412	30	24	12	28	22	31.5	18	2	92
K302416	30	24	16	28	22	31.5	18	2	100
K362408	36	24	8	34	22	37.5	18	2	90
K362410	36	24	10	34	22	37.5	18	2	95
K363010	36	30	10	34	28	37.5	24	2	115
K363012	36	30	12	34	28	37.5	24	2	127
K363016	36	30	16	34	28	37.5	24	2	140
K422410	42	24	10	40	22	43.5	18	2	106
K423012	42	30	12	40	28	43.5	24	2	131
K423612	42	36	12	40	34	43.5	30	2	156
K483612	48	36	12	46	34	49.5	30	2	173

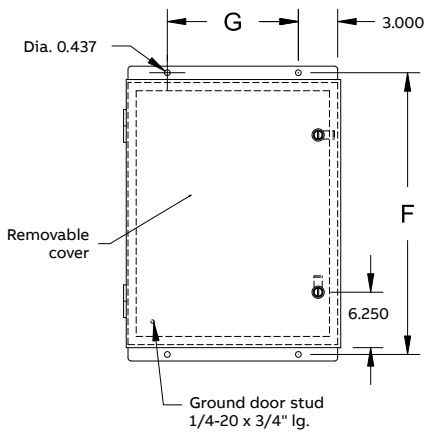
**K Series**

NEMA 1 - Single Door Enclosures

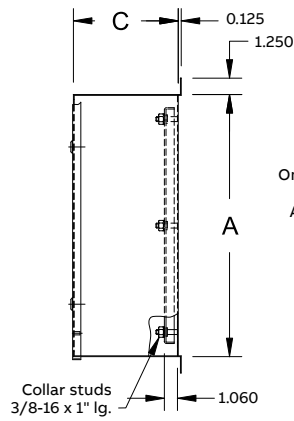
Diagrams



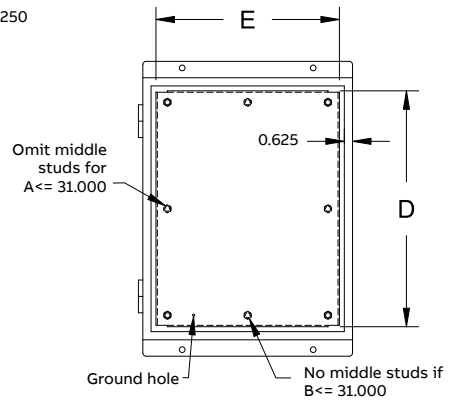
Top view



Front view



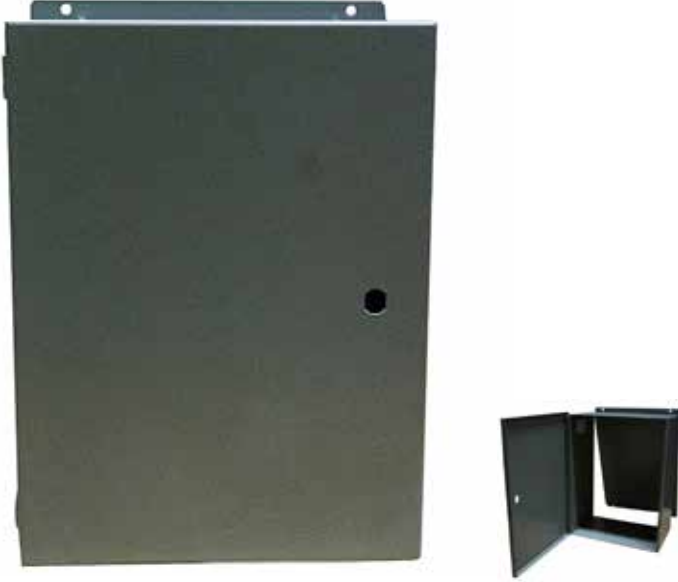
Side view



Front view  
(without door)

## L Series

### NEMA 1 - Single Door Enclosures



Type 1 general purpose enclosure designed to house electrical, pneumatic or hydraulic instruments.

#### Technical specifications:

- 16 gauge steel frame and door
- 16 or 14 gauge steel detachable mounting back
- Slip hinges enabling door removal for easier access and mounting
- 1/4 turn latch
- Grounding stud on inner door side
- Grounding screw on detachable back
- ANSI/ASA61 grey polyester textured powder coating inside out

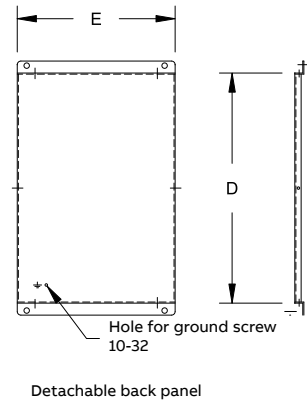
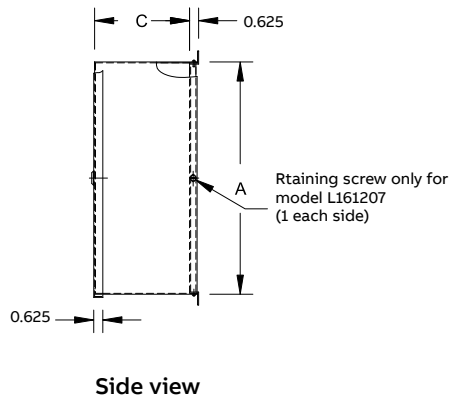
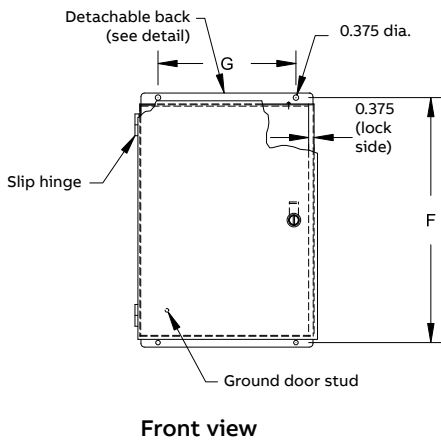
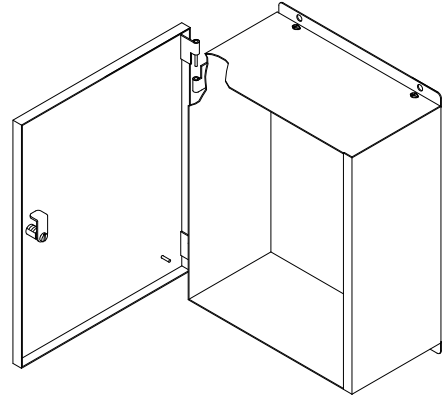
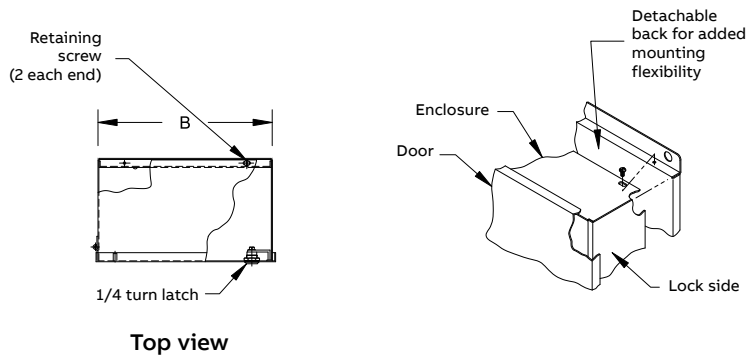


Cat. No.	Dimensions			D	Panel	Mounting holes		Weight lbs.
	A	B	C		E	F	G	
L080606	8	6	6	7.849	5.849	8.875	3.5	6
L100804	10	8	4	9.849	7.849	10.875	5.5	12
L100806	10	8	6	9.849	7.849	10.875	5.5	8.5
L121007	12	10	7	11.849	9.849	12.875	7.5	16
L151206	15	12	6	14.849	11.849	15.875	9.5	25
L161207	16	12	7	15.849	11.849	16.875	9.5	21

**L Series**

NEMA 1 - Single Door Enclosures

**Diagrams**



## S Series

### NEMA 4-4X-12 - Hinged Lift-Off Cover Enclosures

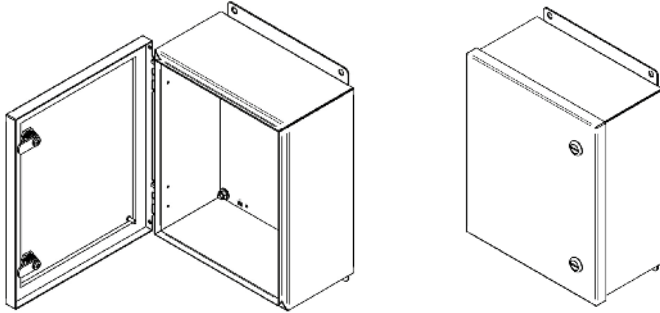


Type 4-4x-12 enclosure designed for indoor/outdoor housing of electrical, pneumatic or hydraulic instruments.

#### Technical specifications:

- 16 gauge steel
- Slip hinges enabling cover removal for easier access and mounting
- Seamless poured in place gasketed cover except, captive screw models with neoprene gasket
- Continuously welded and ground smooth seams
- 14 gauge galvanized steel panel natural finish (unpainted)
- 1/4 turn latch
- Grounding screw on mounting panel
- Grounding stud welded on inner cover surface
- ANSI/ASA61 grey polyester textured powder coating inside out

#### Diagrams



Cat. No.	Dimensions			Panel E x F	Weight lbs.
	A	B	C		
S040403*	4	4	3	pas de plaque	2
S040404*	4	4	4	pas de plaque	3.5
S060403*	6	4	3	4.875 x 2.875	3
S060404*	6	4	4	4.875 x 2.875	4
S060604	6	6	4	4.875 x 4.875	5
S080604	8	6	4	6.875 x 4.875	7
S080804	8	8	4	6.875 x 6.875	8
S100804	10	8	4	8.875 x 6.875	10
S121005	12	10	5	10.875 x 8.875	15
S100806	10	8	6	8.875 x 6.875	11
S101006	10	10	6	8.875 x 8.875	14
S121206	12	12	6	10.875 x 10.875	18
S141206-Z	14	12	6	12.875 x 10.875	21
S161406	16	14	6	14.875 x 12.875	26
S121008	12	10	8	10.875 x 8.875	18
S141208	14	12	8	12.875 x 10.875	22
S161408	16	14	8	14.875 x 12.875	24
S161410	16	14	10	14.875 x 12.875	28

\* Captive crew

## S Series Large Model

### NEMA 4-4X-12 - Hinged Lift-Off Cover Enclosures

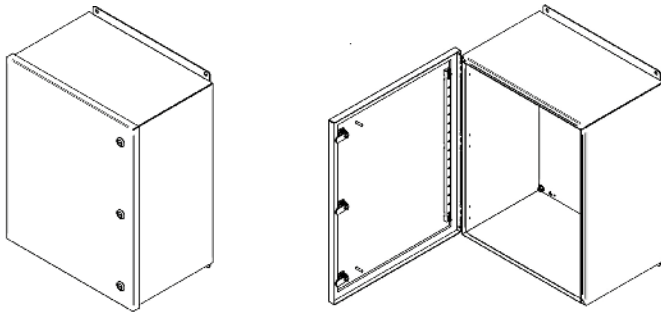


Type 4-4x-12 enclosure designed for indoor/outdoor housing of electrical, pneumatic or hydraulic instruments.

#### Technical specifications:

- 16 gauge steel
- Slip hinges enabling cover removal for easier access and mounting
- Seamless poured in place gasketed cover
- Continuously welded and ground smooth seams
- 1/4 turn latch
- 14 gauge galvanized steel panel natural finish (unpainted)
- Grounding screw on mounting panel
- Grounding stud welded on inner cover surface
- ANSI/ASA61 grey polyester textured powder coating inside out
- 4 studs 10-32 UNC x 3/4" inside door installed for mounting rail (one supplied)

#### Diagrams



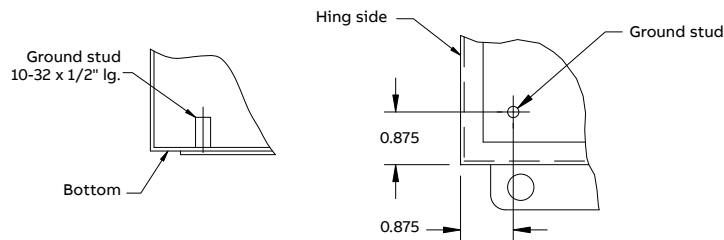
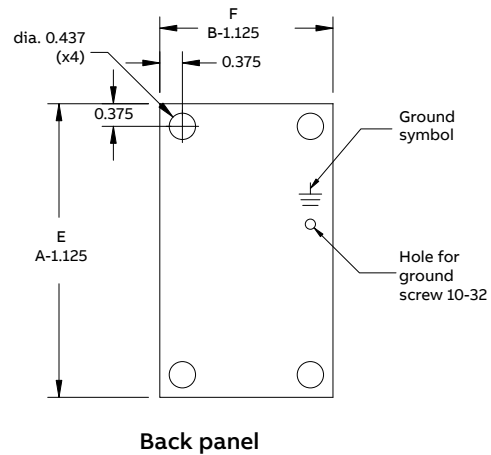
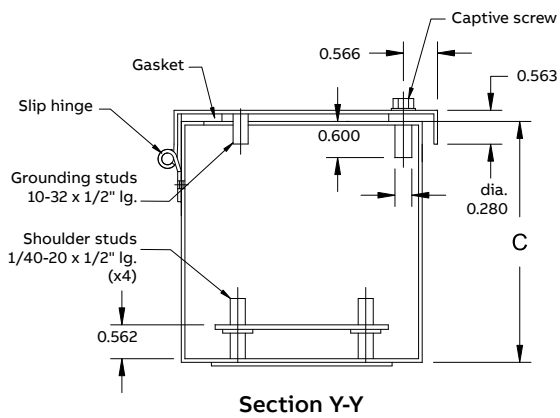
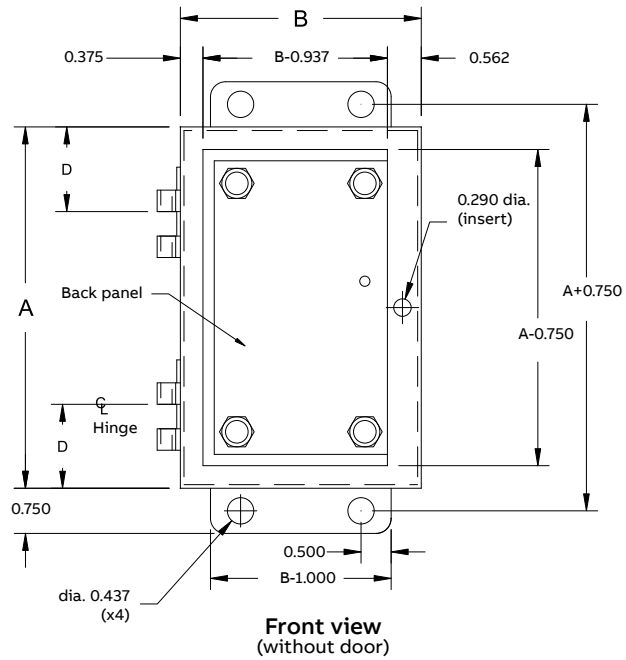
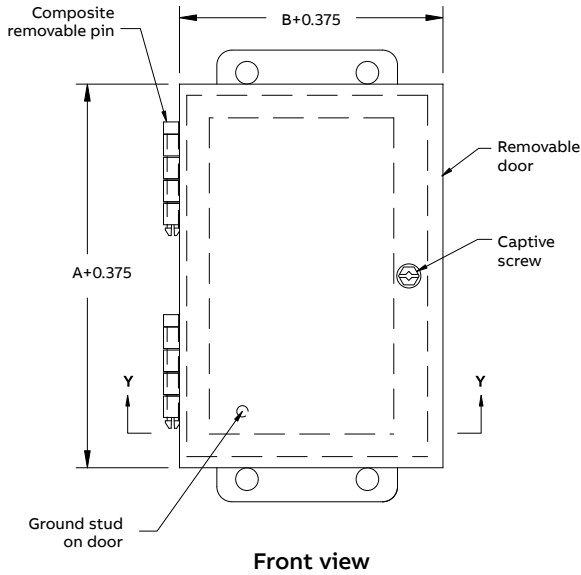
Cat. No.	Dimensions			Panel E x F	Weight lbs.
	A	B	C		
S201206	20	12	6	18.875 x 10.875	21
S201606	20	16	6	18.875 x 14.875	26
S241206	24	12	6	22.875 x 10.875	24
S241606	24	16	6	22.875 x 14.875	30
S242006	24	20	6	22.875 x 18.875	36
S201208	20	12	8	18.875 x 10.875	23
S201608	20	16	8	18.875 x 14.875	28
S241208	24	12	8	22.875 x 10.875	26
S241608	24	16	8	22.875 x 14.875	33
S242008	24	20	8	22.875 x 18.875	39
S201610	20	16	10	18.875 x 14.875	31
S241210	24	12	10	22.875 x 10.875	29
S241610	24	16	10	22.875 x 14.875	35
S242010	24	20	10	22.875 x 18.875	42

**S Series**

NEMA 4-4X-12 - Hinged Lift-Off Cover Enclosures

For models : S040403, S040404, S060403 and S060404

**Diagrams**

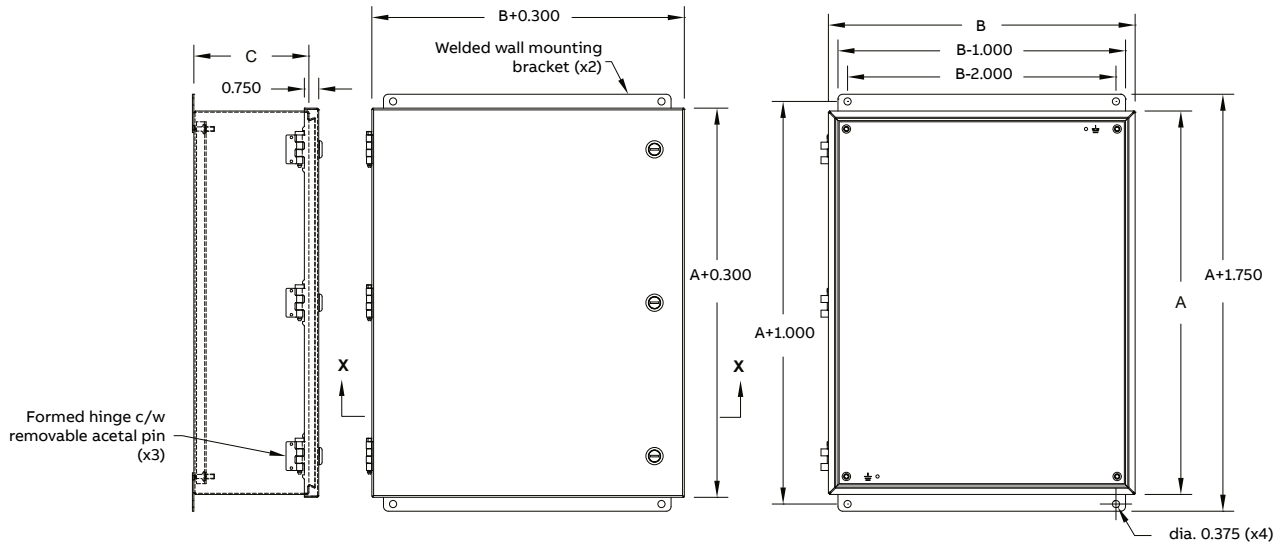


No mounting panel for S040403 & S040404 grounding stud only

# S Series

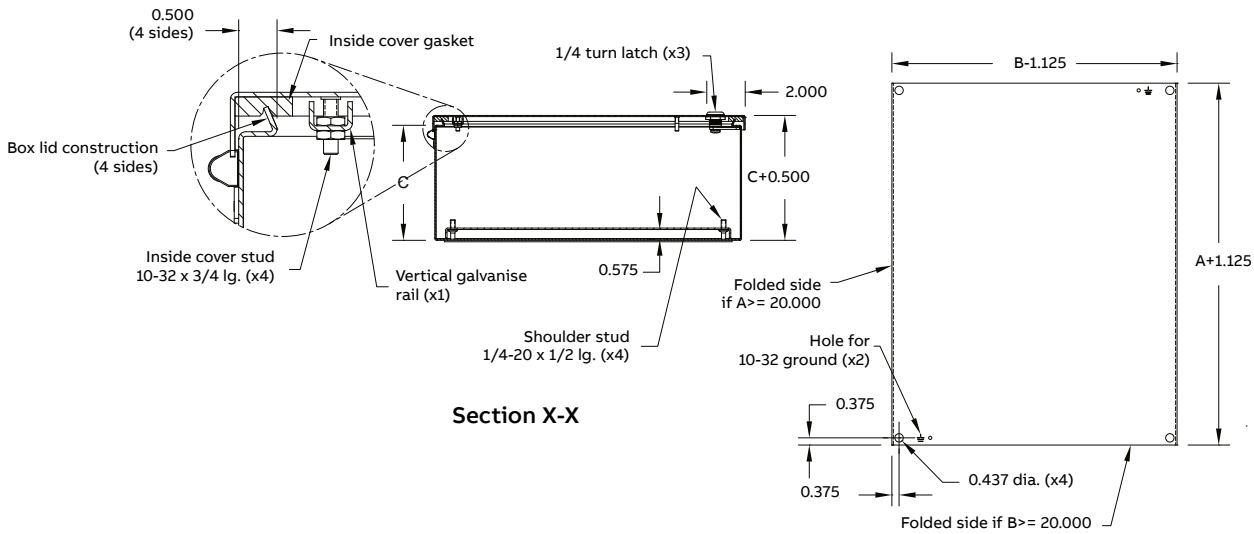
## NEMA 4-4X-12 - Hinged Lift-Off Cover Enclosures

### Diagrams



Front view

Front view (without cover)



Section X-X

Back panel

A	Hinge Qty.	1/4 turn Latch or captive screw Qty.		A	Hinge positions B
0" @ 5"	1	1	Captive screw if B < 6.000 1/4 turn for other	0" @ 5"	C/L
6" @ 9"	2	1		6" @ 9"	1.375
10" @ 16"	2	2		10" @ 16"	2.000
20" @ 24"	3	3		20" @ 24"	2.000

## S..AL Series

### NEMA 4-4X-12 - Hinged Lift-Off Cover Enclosures



Type 4-4x-12 aluminium enclosure designed for indoor/outdoor housing of electrical, pneumatic or hydraulic instruments where corrosion is a determining factor.

#### Technical specifications:

- Quality utility grade aluminium
- Seamless poured in place gasketed cover
- Continuously welded and ground smooth seams
- 1/4 turn latches
- Galvanized steel panel natural finish (unpainted)
- Grounding screw on mounting panel
- Grounding stud welded on inner cover surface
- ANSI/ASA61 grey polyester textured powder coating inside out



Cat. No.	Dimensions			Panel E x F	Weight lbs.
	A	B	C		
S040403AL	4	4	3	no panel	1
S060403AL	6	4	3	4.875 x 2.875	1.5
S060604AL	6	6	4	4.875 x 4.875	2.5
S080604AL	8	6	4	6.875 x 4.875	3.5
S100804AL	10	8	4	8.875 x 6.875	4.5
S121005AL	12	10	5	10.875 x 8.875	7
S141206AL	14	12	6	12.875 x 10.875	10
S161406AL	16	14	6	14.875 x 12.875	13
S141208AL	14	12	8	12.875 x 10.875	12
S161410AL	16	14	10	14.875 x 12.875	15

## S..SS Series

### NEMA 4-4X-12 - Hinged Lift-Off Cover Enclosures



Type 4-4x-12 stainless steel enclosure designed for indoor/ outdoor housing of electrical, pneumatic or hydraulic instruments where corrosion is a determining factor.

#### Technical specifications:

- 16 gauge 304-4 stainless steel natural finish
- 14 gauge galvanized steel panel natural finish
- Seamless poured in place gasketed cover
- Continuously welded and ground smooth seams
- Hinges and 1/4 turn latches made of stainless steel
- Grounding screw on mounting panel
- Grounding stud welded on inner cover surface



Cat. No.	Dimensions			Panel E x F	Weight lbs.
	A	B	C		
S060404SS	6	4	4	4.875 x 2.875	4
S060604SS	6	6	4	4.875 x 4.875	5
S080604SS	8	6	4	6.875 x 4.875	6
S100804SS	10	8	4	8.875 x 6.875	10
S121005SS	12	10	5	10.875 x 8.875	15
S100806SS	10	8	6	8.875 x 6.875	12
S121206SS	12	12	6	10.875 x 10.875	17
S080806SS	8	8	6	6.875 x 6.875	12
S141206SS	14	12	6	12.875 x 10.875	21
S161406SS	16	14	6	14.875 x 12.875	26
S141208SS	14	12	8	12.875 x 10.875	22
S161410SS	16	14	10	14.875 x 12.875	28

---

## R Series

### NEMA 4-4X-12 - Single Door Enclosures



Type 4-4x-12 enclosure designed for indoor/outdoor housing of electrical, pneumatic or hydraulic instruments.

**Technical specifications:**

- 16 or 14 gauge steel
- Removable cover with seamless poured in place gasket
- Continuously welded and ground smooth seams
- Padlock hasp supplied
- Interchangeable left/right side cover opening
- Cover stabilizing bumpers
- 1/4 turn latches
- Grounding studs welded on inner cover surface
- Galvanized mounting rail
- Galvanized steel mounting panel (unpainted )
- Four (4) wall mounting brackets offering multiple installation positioning
- Self-adhesive polymer BEL data pocket
- ANSI/ASA61 grey polyester textured powder

## R Series

### NEMA 4-4X-12 - Single Door Enclosures



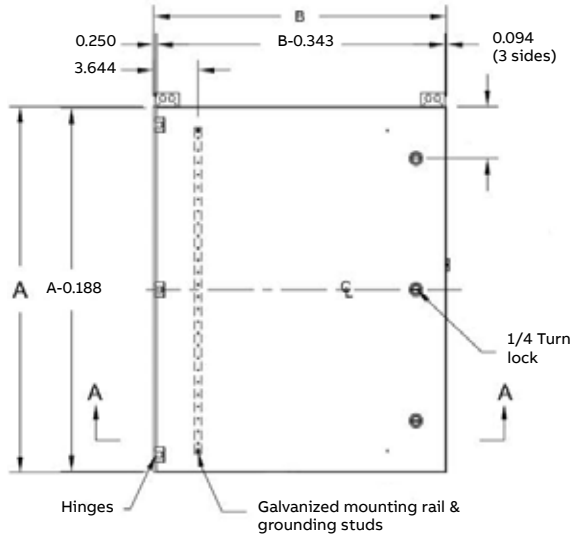
Cat. No.	Dimensions			Panel E x F	Weight lbs.
	A	B	C		
R122406	12	24	6	9 x 21	36
R161206	16	12	6	13 x 9	26
R161606	16	16	6	13 x 13	32
R162006	16	20	6	13 x 17	38
R201206	20	12	6	17 x 9	31
R201606	20	16	6	17 x 13	38
R202006	20	20	6	17 x 17	43
R202406	20	24	6	17 x 21	55
R241206	24	12	6	21 x 9	36
R241606	24	16	6	21 x 13	46
R242006	24	20	6	21 x 17	55
R242406	24	24	6	21 x 21	60
R301606	30	16	6	27 x 13	53
R302006	30	20	6	27 x 17	65
R302406	30	24	6	27 x 21	75
R362406	36	24	6	33 x 21	88
R363006	36	30	6	33 x 27	114
R122408	12	24	8	9 x 21	40
R161208	16	12	8	13 x 9	30
R161608	16	16	8	13 x 13	34
R162008	16	20	8	13 x 17	43
R201208	20	12	8	17 x 9	33
R201608	20	16	8	17 x 13	43
R202008	20	20	8	17 x 17	47
R202408	20	24	8	17 x 21	59
R241208	24	12	8	21 x 9	40
R241608	24	16	8	21 x 13	49
R242008	24	20	8	21 x 17	59
R242408-Z	24	24	8	21 x 21	68
R243008	24	30	8	21 x 27	85
R301208	30	12	8	27 x 9	42
R301608	30	16	8	27 x 13	54
R302008	30	20	8	27 x 17	70
R302408	30	24	8	27 x 21	82
R303008	30	30	8	27 x 27	102
R303608	30	36	8	27 x 33	121
R362408	36	24	8	33 x 21	94
R363008	36	30	8	33 x 27	121
R363608	36	36	8	33 x 33	139
R422408	42	24	8	39 x 21	107
R423008	42	30	8	39 x 27	132
R423608	42	36	8	39 x 33	162
R482408	48	24	8	45 x 21	117
R483008	48	30	8	45 x 27	153
R483608	48	36	8	45 x 33	182
R603608	60	36	8	57 x 33	208

Cat. No.	Dimensions			Panel E x F	Weight lbs.
	A	B	C		
R161210	16	12	10	13 x 9	34
R201610	20	16	10	17 x 13	48
R202010	20	20	10	17 x 17	52
R241210	24	12	10	21 x 9	43
R242010	24	20	10	21 x 17	63
R242410	24	24	10	21 x 21	73
R302010-Z	30	20	10	27 x 17	76
R302410	30	24	10	27 x 21	87
R362410-Z	36	24	10	33 x 21	102
R363010	36	30	10	33 x 27	127
R423010	42	30	10	39 x 27	137
R423610	42	36	10	39 x 33	184
R483010-Z	48	30	10	45 x 27	159
R483610	48	36	10	45 x 33	190
R603610	60	36	10	57 x 33	230
R201612	20	16	12	17 x 13	54
R242012	24	20	12	21 x 17	67
R242412	24	24	12	21 x 21	78
R302412	30	24	12	27 x 21	90
R303012	30	30	12	27 x 27	113
R362412	36	24	12	33 x 21	106
R363012	36	30	12	33 x 27	130
R363612	36	36	12	33 x 33	137
R423012	42	30	12	39 x 27	150
R423612	42	36	12	39 x 33	175
R483612	48	36	12	45 x 33	197
R603612-Z	60	36	12	57 x 33	239
R723012	72	30	12	69 x 27	260
R723612	72	36	12	69 x 33	320
R242016	24	20	16	21 x 17	81
R242416	24	24	16	21 x 21	86
R302416	30	24	16	27 x 21	100
R363016	36	30	16	33 x 27	137
R423616	42	36	16	39 x 33	147
R483616	48	36	16	45 x 33	213
R603616	60	36	16	57 x 33	256
R723016	72	30	16	69 x 27	260
R723616	72	36	16	69 x 33	272
R302420	30	24	20	27 x 21	111
R363020	36	30	20	33 x 27	155
R483620	48	36	20	45 x 33	227
R603620	60	36	20	57 x 33	272
R723020	72	30	20	69 x 27	287
R302424	30	24	24	27 x 21	129
R723024	72	30	24	69 x 27	300
R603608	60	36	8	57 x 33	208

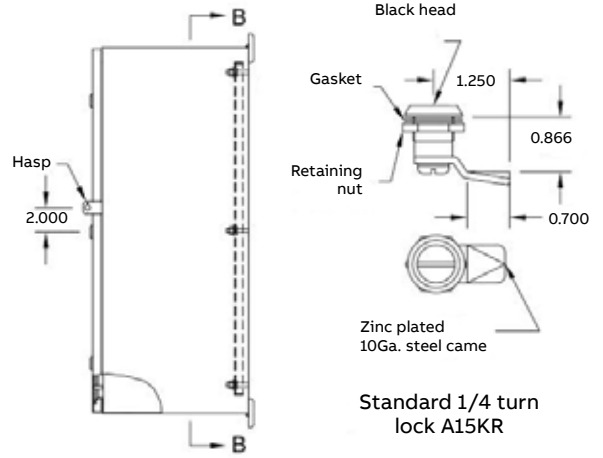
**R Series**

NEMA 4-4X-12 - Single Door Enclosures

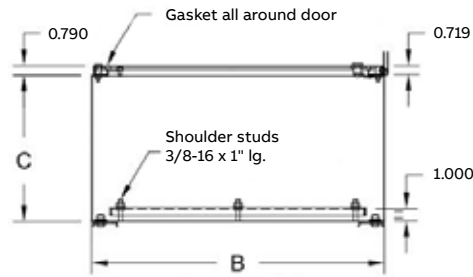
**Diagrams**



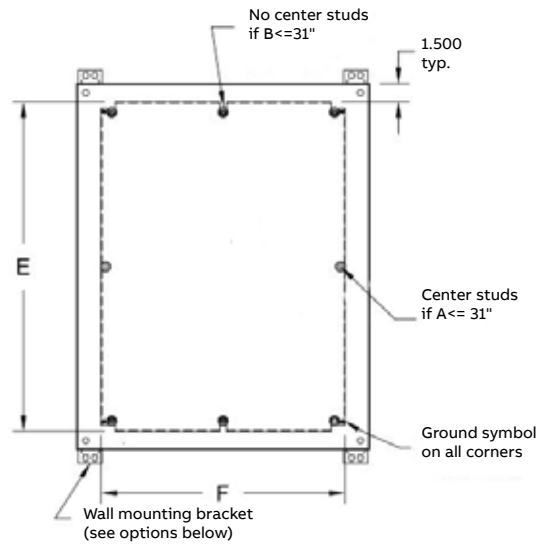
**Front view**



**Side view**

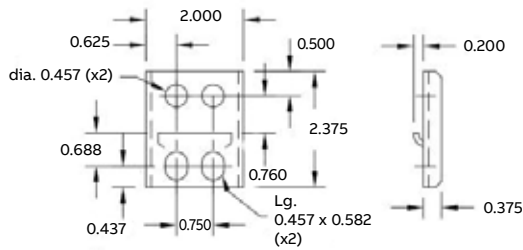


**Section A-A**



**Section B-B**

A	Hinges	Locks
0	2	1
24	2	2
36	3	2
42	3	3
48	3	3
60	4	3
72	4	3



AMFRS standard wall mounting brackets.



Wall mounting brackets position for all models (all 4 corners)

## R...AL Series

### NEMA 4-4X-12 - Single Door Aluminium Enclosures



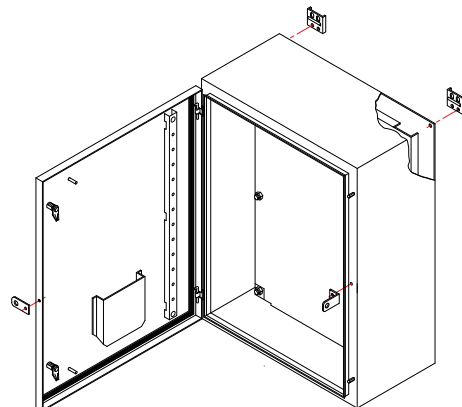
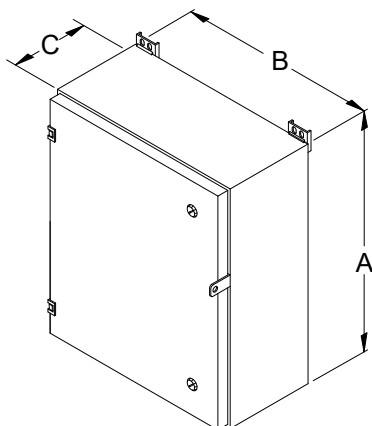
Type 4-4x-12 aluminium enclosure designed for indoor/outdoor housing of electrical, pneumatic or hydraulic instruments where corrosion is determining factor.

#### Technical specifications:

- Quality utility grade aluminium
- Removable cover with seamless poured in place gasket, secured by 1/4 turn latches
- Continuously welded and ground smooth seams
- Padlock hasp supplied
- Interchangeable left/right side cover opening
- Cover stabilizing bumpers
- Grounding studs welded on inner cover surface
- Galvanized mounting rail
- Galvanized steel mounting panel (unpainted)
- Four (4) stainless wall mounting brackets offering multiple installation positioning
- Self-adhesive polymer BEL data pocket
- ANSI/ASA61 grey polyester textured powder coating inside out

Cat. No.	Dimensions			H	Panel		Weight lbs.
	A	B	C		W		
R161206AL	16	12	6	13		9	14
R201606AL	20	16	6	17		13	21
R242006AL	24	20	6	21		17	24
R242408AL	24	24	8	21		21	33
R302408AL	30	24	8	27		21	46
R363008AL	36	30	8	33		27	49
R483608AL	48	36	8	45		33	99
R201610AL	20	16	10	17		13	26
R242010AL	24	20	10	21		17	38
R302412AL	30	24	12	27		21	46
R363012AL	36	30	12	33		27	55
R603612AL	60	36	12	57		33	118

#### Diagrams



## R...SS Series

### NEMA 4-4X-12 - Single Door Stainless Steel Enclosures



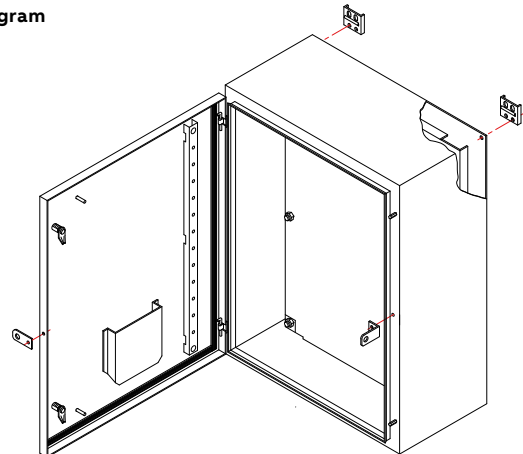
Cat. No.	Dimensions			Panel		Weight lbs
	A	B	C	E	F	
R161206SS	16	12	6	13	9	26
R161606SS	16	16	6	13	13	32
R201606SS	20	16	6	17	13	38
R202006SS	20	20	6	17	17	43
R242006SS	24	20	6	21	17	55
R161208SS	16	12	8	13	9	30
R201608SS	20	16	8	17	13	43
R202008SS	20	20	8	17	17	47
R241608SS	24	16	8	21	13	49
R242008SS	24	20	8	21	17	59
R242408SS	24	24	8	21	21	68
R243008SS	24	30	8	21	27	85
R302008SS	30	20	8	27	17	70
R302408SS	30	24	8	27	21	82
R303008SS	30	30	8	27	27	102
R362408SS	36	24	8	33	21	94
R363008SS	36	30	8	33	27	121
R423608SS	42	36	8	39	33	162
R483608SS	48	36	8	45	33	182
R201610SS	20	16	10	17	13	48
R242010SS	24	20	10	21	17	63
R362410SS	36	24	10	33	21	102
R363010SS	36	30	10	33	27	127
R423010SS	42	30	10	39	27	137
R242412SS	24	24	12	21	21	78
R302412SS	30	24	12	27	21	90
R363012SS	36	30	12	33	27	130
R363612SS	36	36	12	33	33	137
R483612SS	48	36	12	45	33	197
R603612SS	60	36	12	57	33	239
R363016SS	36	30	16	33	27	137
R483616SS	48	36	16	45	33	213

Type 4-4x-12 stainless enclosure designed for indoor/outdoor housing of electrical, pneumatic or hydraulic instruments where corrosion is a determining factor and where severe watering conditions prevail (dairies & breweries).

#### Technical specifications:

- 16 or 14 gauge 304-4 stainless steel
- Removable cover with seamless poured in place gasket
- Continuously welded and ground smooth seams
- Adlock hasp supplied
- Interchangeable left/right side cover opening
- Cover stabilizing bumpers
- Hinges and 1/4 turn latches made of stainless steel
- Grounding studs welded on inner cover surface
- Galvanized mounting rail
- Galvanized steel mounting panel (unpainted)
- Four (4) stainless wall mounting brackets offering multiple installation positioning
- Self-adhesive polymer BEL data pocket

Diagram



---

## HD/HDM Series

### NEMA 12 - Double Door Enclosures



Type 12 enclosure designed to house and protect pneumatic, hydraulic or electrical equipment.

**Technical specifications:**

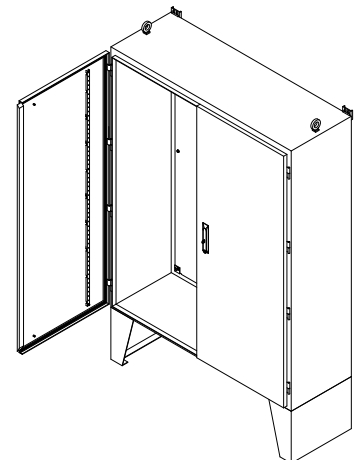
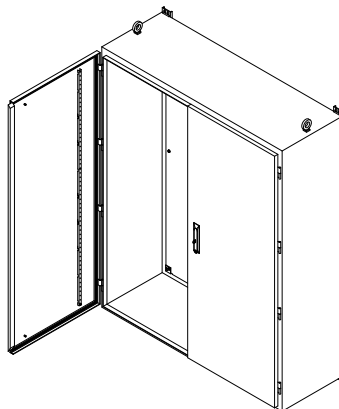
- 14 or 12 steel gauge
- Slip hinges enabling door removal for easier access and mounting
- Seamless poured in place gasketed doors
- Continuously welded and ground smooth seams
- Three point lock flush handle
- Grounding stud on inner door surface and hole on back panel
- 2 or 4 lifting eye bolts
- 12 gauge galvanized back panel (HD7272 will be steel painted smooth white)
- Galvanized mounting rail
- Self-adhesive polymer BEL data pocket
- 12" high mounting feet on HDM model
- ANSI/ASA61 grey polyester textured powder coating inside out

## HD/HDM Series

### NEMA 12 - Double Door Enclosures



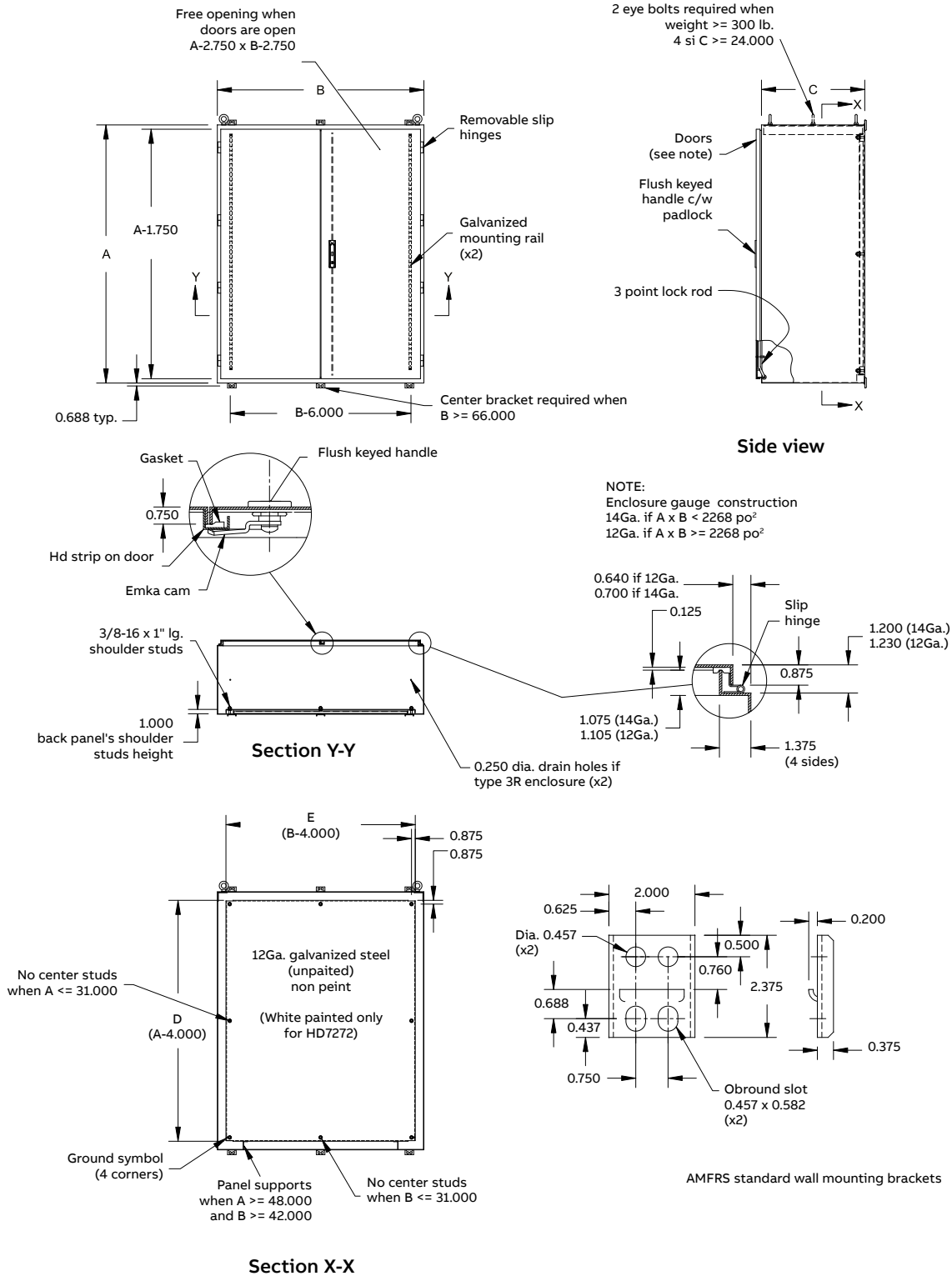
Cat. No.		Dimensions			Panel		Weight lbs.	
Without feet	With feet	A	B	C	D	E	Without feet	With feet
HD544208	HDM544208	54	42	8	50	38	260	275
HD604808	HDM604808	60	48	8	56	44	425	440
HD604810	HDM604810	60	48	10	56	44	430	447
HD606010	HDM606010	60	60	10	56	56	520	537
HD726010	HDM726010	72	60	10	68	56	595	612
HD727210	HDM727210	72	72	10	68	68	710	736
HD484812	HDM484812	48	48	12	44	44	396	416
HD604812	HDM604812	60	48	12	56	44	456	476
HD606012	HDM606012	60	60	12	56	56	532	552
HD726012	HDM726012	72	60	12	68	56	615	635
HD727212	HDM727212	72	72	12	68	68	710	730
HD604816	HDM604816	60	48	16	56	44	480	504
HD606016	HDM606016	60	60	16	56	56	500	524
HD726016	HDM726016	72	60	16	68	56	700	724
HD727216	HDM727216	72	72	16	68	68	745	769
HD604820	HDM604820	60	48	20	56	44	456	486
HD726020	HDM726020	72	60	20	68	56	700	730
HD727220	HDM727220	72	72	20	68	68	855	885
HD604824	HDM604824	60	48	24	56	44	500	538
HD606024	HDM606024	60	60	24	56	56	600	638
HD726024	HDM726024	72	60	24	68	56	760	790
HD727224	HDM727224	72	72	24	68	68	890	928
<b>Wide Models</b>								
HD244210	HDM244210	24	42	10	20	38	125	142
HD304210	HDM304210	30	42	10	26	38	150	167
HD364812	HDM364812	36	48	12	32	44	227	244



# HD/HDM Series

## NEMA 12 - Double Door Enclosures

### Diagrams



---

## HD..F/HDM..F Series

### NEMA 4 - Double Door Enclosures



Type 4 enclosure designed to house and protect pneumatic, hydraulic or electrical equipment.

#### Technical specifications:

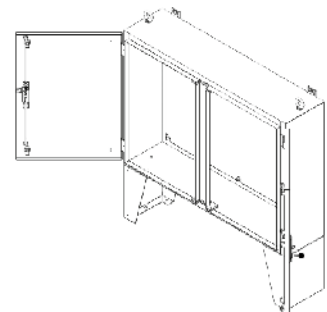
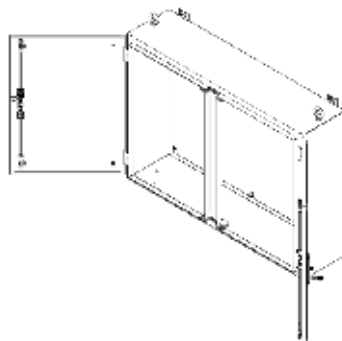
- 14 or 12 gauge satin coat steel
- Stainless steel slip hinges enabling door removal for easier access and mounting
- Seamless poured in place gasketed doors
- Continuously welded and ground smooth seams
- Three point lock flush handle on each door
- Grounding stud on inner door surface and hole on back panel
- 2 or 4 lifting eye bolts
- With removable center post
- 12 gauge galvanized panel (HD7272 will be steel painted smooth white)
- Galvanized mounting rail
- Self-adhesive polymer BEL data pocket
- 12" high mounting feet on HDM..F model
- Grounding holes and symbols
- ANSI/ASA61 grey polyester textured powder coating inside out

## HD..F/HDM..F Series

### NEMA 4 - Double Door Enclosures



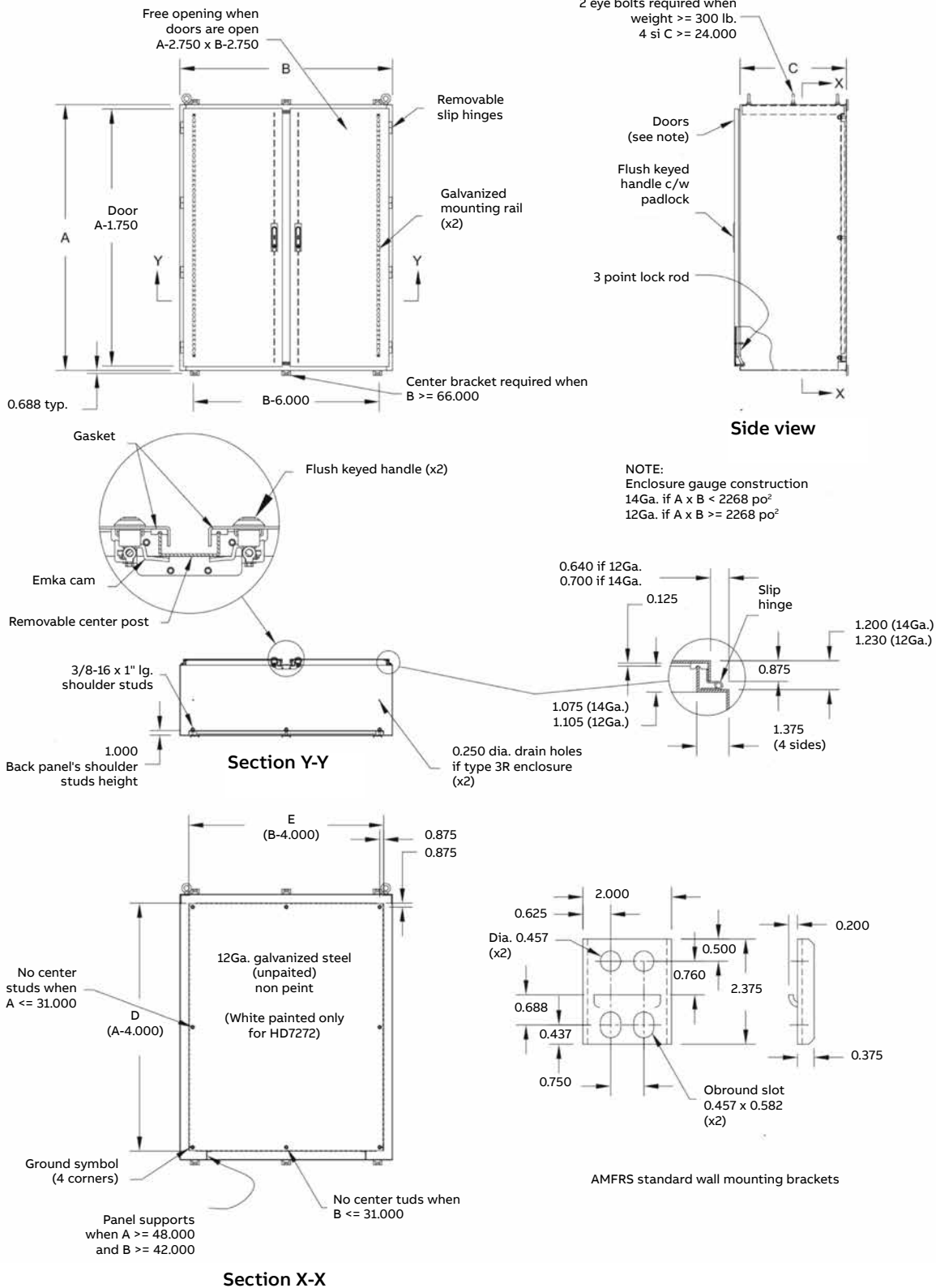
Cat. No.		Dimensions				Panel		Weight lbs.	
Without feet	With feet	A	B	C	D	E	Without feet	With feet	
HD544208F	HDM544208F	54	42	8	50	38	260	275	
HD604808F	HDM604808F	60	48	8	56	44	425	440	
HD604810F	HDM604810F	60	48	10	56	44	430	447	
HD606010F	HDM606010F	60	60	10	56	56	520	537	
HD726010F	HDM726010F	72	60	10	68	56	595	612	
HD727210F	HDM727210F	72	72	10	68	68	710	736	
HD484812F	HDM484812F	48	48	12	44	44	396	416	
HD604812F	HDM604812F	60	48	12	56	44	456	476	
HD606012F	HDM606012F	60	60	12	56	56	532	552	
HD726012F	HDM726012F	72	60	12	68	56	615	635	
HD727212F	HDM727212F	72	72	12	68	68	710	730	
HD604816F	HDM604816F	60	48	16	56	44	480	504	
HD606016F	HDM606016F	60	60	16	56	56	500	524	
HD726016F	HDM726016F	72	60	16	68	56	700	724	
HD727216F	HDM727216F	72	72	16	68	68	745	769	
HD604820F	HDM604820F	60	48	20	56	44	456	486	
HD726020F	HDM726020F	72	60	20	68	56	700	730	
HD727220F	HDM727220F	72	72	20	68	68	855	885	
HD604824F	HDM604824F	60	48	24	56	44	500	538	
HD606024F	HDM606024F	60	60	24	56	56	600	638	
HD726024F	HDM726024F	72	60	24	68	56	760	790	
HD727224F	HDM727224F	72	72	24	68	68	890	928	
<b>Wide Models</b>									
HD244210F	HDM244210F	24	42	10	20	38	125	142	
HD304210F	HDM304210F	30	42	10	26	38	150	167	
HD364812F	HDM364812F	36	48	12	32	44	227	244	



# HD..F/HDM..F Series

## NEMA 4 - Double Door Enclosures

### Diagrams



## FRS Series

### NEMA 12 - Single Door Freestanding Enclosures, Single Access



Type 12 enclosure designed for indoor protection of electrical and electronic controls, instruments and components.

#### Technical specifications:

- 12 gauge steel
- Seamless poured in place gasketed door
- Continuously welded and ground smooth seams
- 2 or 4 lifting eye bolts
- Slip hinges enabling door removal for easier access and mounting
- Three point lock flush handle
- Galvanized mounting rail
- Grounding studs welded on inner cover surface and inside enclosure
- Horizontally welded channels on both sides for panel adjustment
- Possibility of half length (AFH model), full length (AFF model) or side mounting panel galvanized
- Self-adhesive polymer BEL data pocket
- ANSI/ASA61 grey polyester textured powder coating inside out

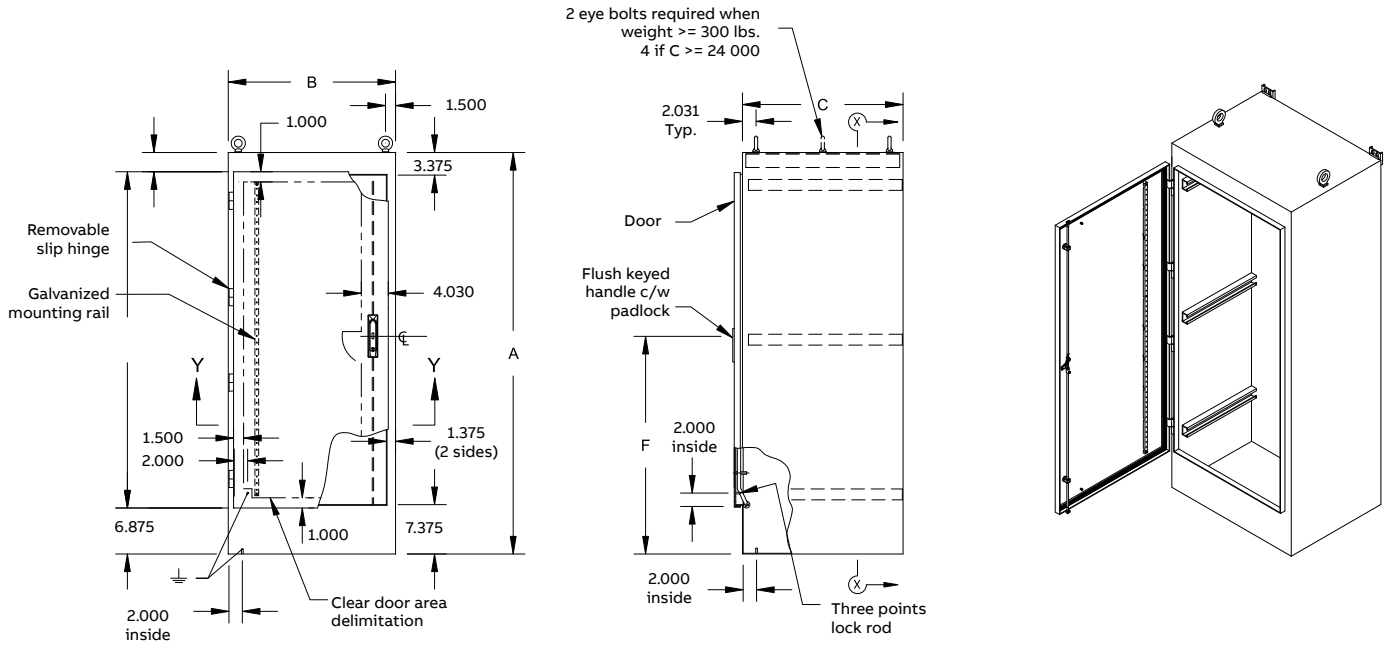


Cat. No.	Dimensions				E	Panel G	Weight lbs.
	A	B	C				
FRS602418	60	24	18		32.031	23.125	210
FRS722418	72	24	18		38.031	29.125	250
FRS723018	72	30	18		38.031	29.125	300
FRS723618	72	36	18		38.031	29.125	330
FRS902420	90	24	20		47.031	38.125	285
FRS903620	90	36	20		47.031	38.125	405
FRS603624	60	36	24		32.031	23.125	290
FRS722424	72	24	24		38.031	29.125	300
FRS723024	72	30	24		38.031	29.125	340
FRS723624	72	36	24		38.031	29.125	375
FRS903624	90	36	24		47.031	38.125	445
FRS722430	72	24	30		38.031	29.125	358
FRS723630	72	36	30		38.031	29.125	420
FRS722436	72	24	36		38.031	29.125	400
FRS723636	72	36	36		38.031	29.125	470
FRS903636	90	36	36		47.031	38.125	530

**FRS Series**

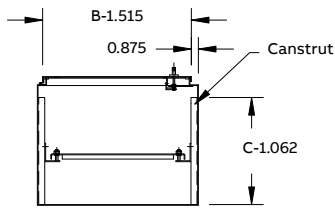
NEMA 12 - Single Door Freestanding Enclosures, Single Access

**Diagrams**

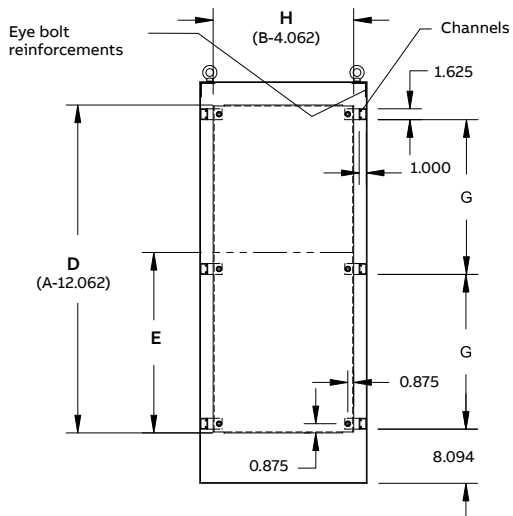


**Front view**

**Side view**



**Section Y-Y**



**Section X-X**

Note :  
Half panel fits in top half or bottom half of enclosure (shown in bottom half)

For "D, E and H" dimensions, see accessories series "AFF & AFH"

## COTS Series

### NEMA 12 - Hinged Lift-Off Cover Consoles



Type 12 enclosure designed to protect electrical/electronic controls against dust, oil and coolants.

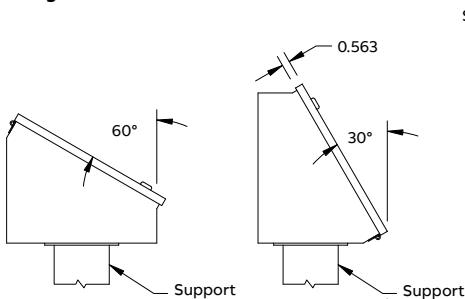
**Technical specifications:**

- 16 gauge steel
- Welded and ground smooth seams
- Dust resistant gasket
- Removable cover secured by 1/4 turn latches
- ANSI/ASA61 grey polyester textured powder coating inside out

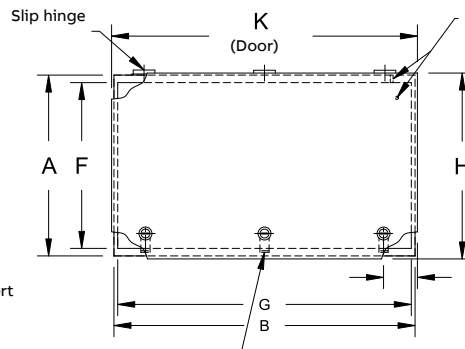


Cat. No.	Dimensions									Qty. Locks	Qty. Hinges	Weight lbs
	A	B	C	D	E	F	G	H	K			
COTS080807	8	8	7.151	5.635	7.427	7.000	7.500	8.335	8.314	1	2	9
COTS081207	8	12	7.151	5.635	7.427	7.000	11.500	8.335	12.314	2	2	11
COTS081607	8	16	7.151	5.635	7.427	7.000	15.500	8.335	16.314	2	2	13
COTS082007	8	20	7.151	5.635	7.427	7.000	19.500	8.335	20.314	2	2	15
COTS121209	12	12	9.151	7.635	10.891	11.000	11.500	12.335	12.314	2	2	16
COTS121609	12	16	9.151	7.635	10.891	11.000	15.500	12.335	16.314	2	2	19
COTS122009	12	20	9.151	7.635	10.891	11.000	19.500	12.335	20.314	2	2	24
COTS122409	12	24	9.151	7.635	10.891	11.000	23.500	12.335	24.314	2	2	26
COTS161611	16	16	11.151	9.635	14.355	15.000	15.500	16.335	16.314	2	2	26
COTS162011	16	20	11.151	9.635	14.355	15.000	19.500	16.335	20.314	2	2	30
COTS162411	16	24	11.151	9.635	14.355	15.000	23.500	16.335	24.314	2	2	39
COTS163011	16	30	11.151	9.635	14.355	15.000	29.500	16.335	30.314	2	2	45
COTS163611	16	36	11.151	9.635	14.355	15.000	35.500	16.335	36.314	2	3	44
COTS202013	20	20	13.151	11.635	17.820	19.000	19.500	20.335	20.314	2	2	37
COTS202413	20	24	13.151	11.635	17.820	19.000	23.500	20.335	24.314	2	2	44
COTS203013	20	30	13.151	11.635	17.820	19.000	29.500	20.335	30.314	2	2	47

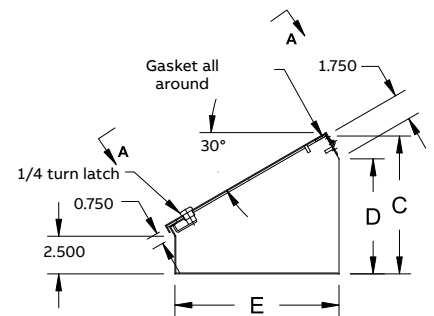
**Diagrams**



Mounting options



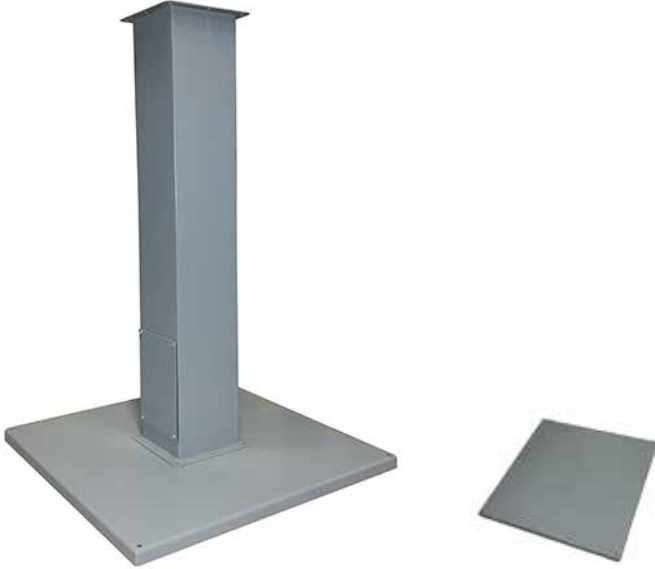
View A-A



Section B-B

## PE Series

### NEMA 12 - Floor Pedestal and Base



Type 12 pedestal used to mount consolets and different types of enclosures. Wiring is pulled trough column and base.

#### Technical specifications:

- 14 gauge steel
- Welded and ground smooth seams
- 12 gauge steel flanges welded to column
- Each column supplied with a box connector fitting, two (2) gasketed flanges and screws
- Gasketed access plate
- Built to EEMAC/NEMA 12 requirements
- ANSI/ASA61 grey polyester textured powder coating
- BASE - PEB (ordered seperately)
- 12 gauge steel
- Column mounting holes with levelling screws

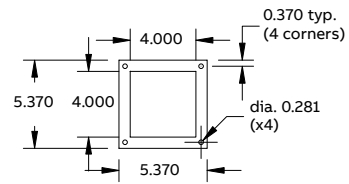
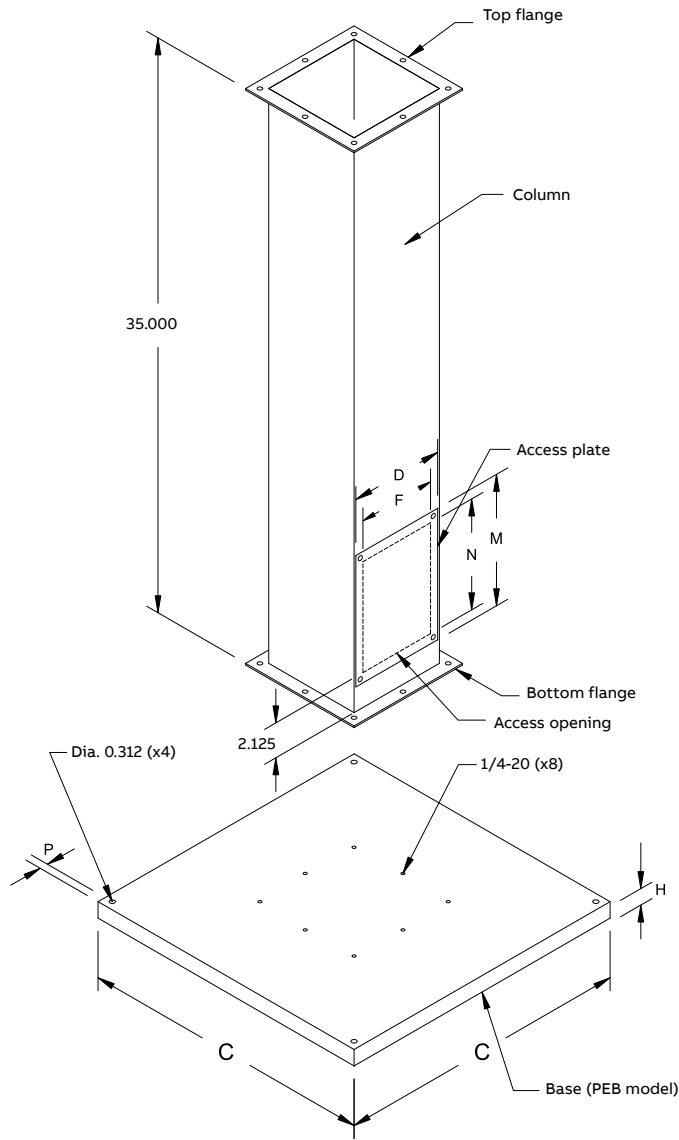


Cat. No.	Description	Dimensions							Weight lbs.
		C	D	F	H	M	N	P	
PESC040435	4 x 4 straight column	-	3.75	2.75	-	7.25	6.0	-	18
PESC060635	6 x 6 straight column	-	5.75	4.75	-	8.0	6.75	-	24
PEB181801	18 x 18 base	18.0	-	-	1.0	-	-	0.5	20
PEB242401	24 x 24 base	24.0	-	-	1.0	-	-	0.5	27

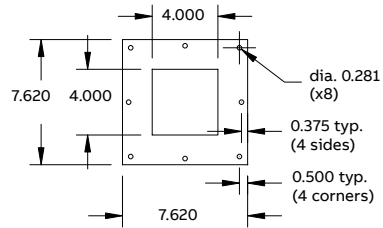
**PE Series**

NEMA 12 - Floor Pedestal and Base

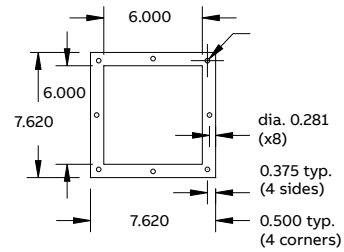
**Diagrams**



**4x4 Top flange**



**4x4 Bottom flange**



**6x6 Top & bottom flange**

## PB Series

### NEMA 12 - Pushbutton Enclosures



Type 12 enclosure designed to accept pushbuttons, switches and pilot lights.

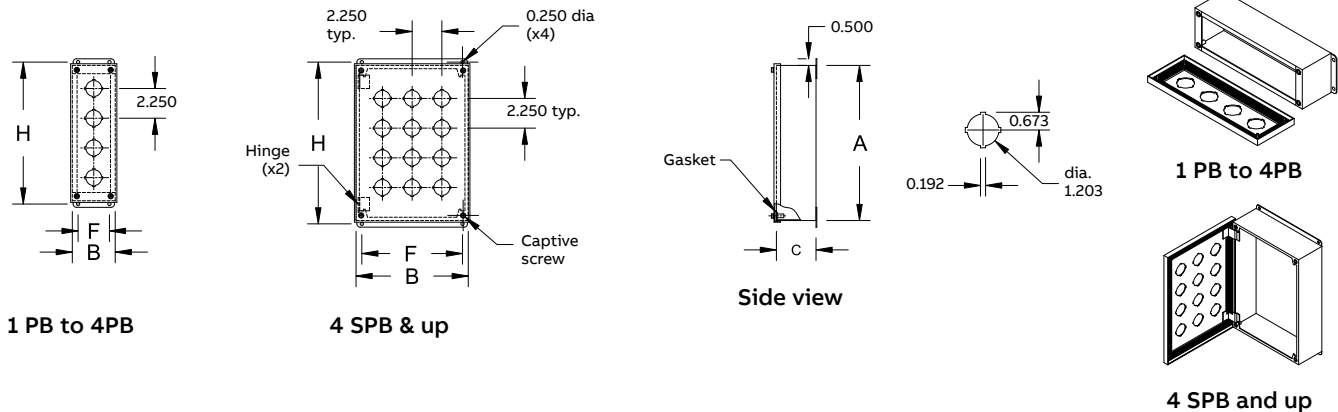
#### Technical specifications:

- 16 gauge steel
- Seamless poured in place gasketed cover
- Continuously welded and ground smooth seams
- Cover secured by captive nickel plated screws threaded into sealed wells
- ANSI/ASA61 grey polyester textured powder coating inside out



Cat. No. With holes	Without holes	A	B	C	H	Dimensions		Weight lbs.
						F		
1PB	1PBC	3.50	3.25	2.75	4.00	2.375		1.75
2PB	2PBC	5.75	3.25	2.75	6.25	2.375		2.25
3PB	3PBC	8.00	3.25	2.75	8.50	2.375		3.00
4PB	4PBC	10.25	3.25	2.75	10.75	2.375		3.50
4SPB-Z	4SPBC	7.25	6.25	3.00	7.75	5.375		4.50
6PB	6PBC	9.50	6.25	3.00	10.00	5.375		5.25
9PB	9PBC	9.50	8.50	3.00	10.00	7.625		6.50
12PB	12PBC	11.75	8.50	3.00	12.25	7.625		7.50
16PB	16PBC	11.75	10.75	3.00	12.25	9.875		9.00
20PB	20PBC	14.00	10.75	3.00	14.50	9.875		10.50
25PB	25PBC	14.00	13.00	3.00	14.50	12.125		12.00
30PB	30PBC	16.25	13.00	3.00	16.75	12.125		14.00
36PB	36PBC	16.25	15.25	3.00	16.75	14.375		16.00
42PB	42PBC	18.50	15.25	3.00	19.00	14.375		18.00

#### Diagrams



## PBM Series

### NEMA 12 - Miniature Pushbutton Enclosures



Type 12 enclosure designed to accept miniature pushbuttons, switches and pilot lights.

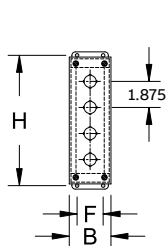
**Technical specifications:**

- 16 gauge steel
- Seamless poured in place gasketed cover
- Continuously welded and ground smooth seams
- Cover secured by captive nickel plated screws threaded into sealed wells
- Pre-punched 0.875" dia. pushbutton holes (22mm)
- ANSI/ASA61 grey polyester textured powder coating inside out

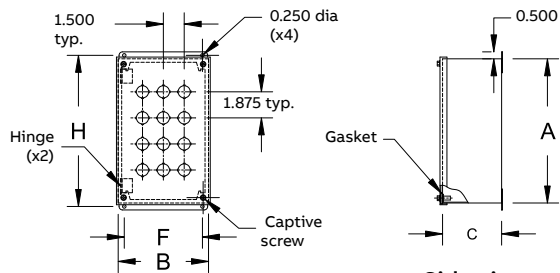


Cat. No. With holes	Without holes	A	B	C	H	Dimensions		Weight lbs.
						F		
1PBM	1PBMC	3.25	2.75	3.50	3.750	1.875		1.75
2PBM	2PBMC	5.125	2.75	3.50	5.625	1.875		2.25
3PBM	3PBMC	7.00	2.75	3.50	7.500	1.875		3.00
4PBM	4PBMC	8.875	2.75	3.50	9.375	1.875		3.50
6PBM	6PBMC	8.50	5.00	4.25	9.000	4.125		5.25
9PBM	9PBMC	8.50	6.50	4.25	9.000	5.625		5.75
12PBM	12PBMC	10.375	6.50	4.25	10.875	5.625		6.00
16PBM	16PBMC	10.375	8.00	4.25	10.875	7.125		7.00
20PBM	20PBMC	12.250	8.00	4.25	12.750	7.125		8.00
25PBM	25PBMC	12.250	9.50	4.25	12.750	8.625		9.00
30PBM	30PBMC	14.125	9.50	4.25	14.625	8.625		10.00

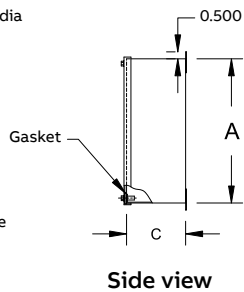
**Diagrams**



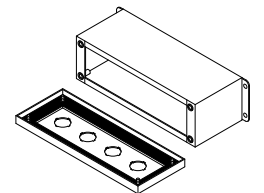
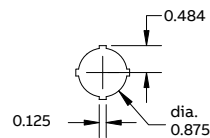
1 PBM to 4PBM



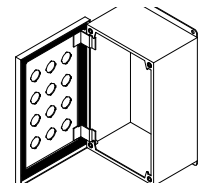
4 PBM & up



Side view



1 PBM to 4PBM



4 PBM & up

## BB..LD Series

### NEMA 12 - Oil and Dust Tight Lay-In Wireway



Type 12 enclosure designed for indoor use to protect electrical wiring against dust, dirt and oil.

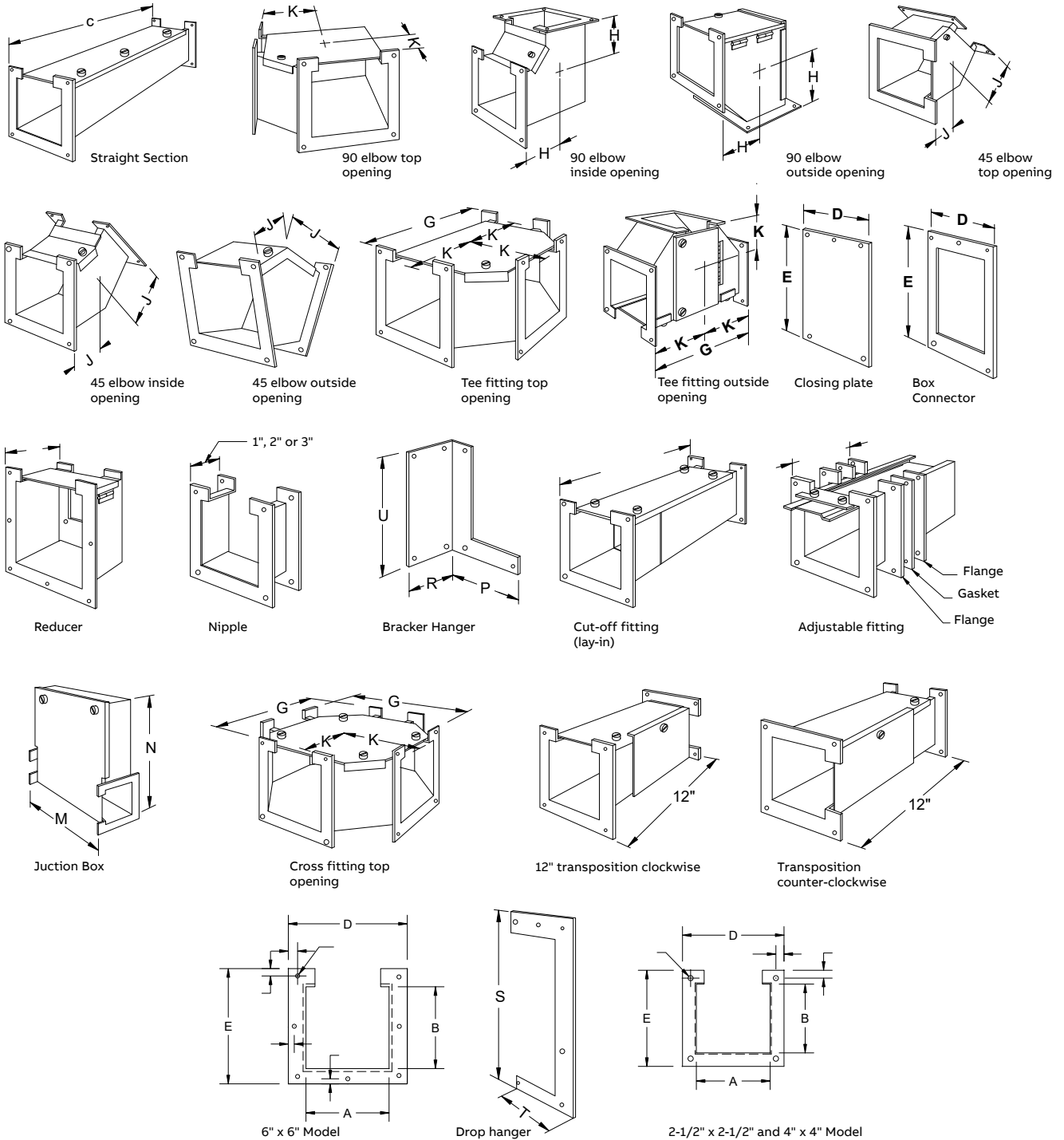
#### Technical specifications:

- 16 steel gauge
- Continuously welded and ground smooth seams
- Easy to install gasketed sealing plates
- 12 gauge interconnecting flanges (2 per length)
- 1/4 turn latches
- ANSI/ASA61 grey polyester textured powder coating inside out

Description	Cat. No. 2.5" x 2.5"	Weight lbs.	Cat. No. 4" x 4"	Weight lbs.	Cat. No. 6" x 6"	Weight lbs.	Sealing plate (Qty.)
12" Wireway Section	BB21LD	3.5	BB41LD	5	BB61LD	7.5	1 Flat
24" Wireway Section	BB22LD	6.25	BB42LD	10	BB62LD	14	1 Flat
36" Wireway Section	BB23LD	9.25	BB43LD	13.75	BB63LD	20.75	1 Flat
48" Wireway Section	BB24LD	12	BB44LD	19.25	BB64LD	28	1 Flat
60" Wireway Section	BB25LD	29.25	BB45LD	23.75	BB65LD	34.5	1 Flat
120" Wireway Section	BB210LD	29.25	BB410LD	46.75	BB610LD	68.25	1 Flat
<b>Accessories</b>							
90° Elbow Top Opening	BB290ET	1.25	BB490ET	2.75	BB690ET	5	1 Flat
90° Elbow Inside Opening	BB290EI	2.25	BB490EI	2.75	BB690EI	5	1 Flat
90° Elbow Outside Opening	BB290EO	2.25	BB490EO	2.75	BB690EO	5	1 Flat
45° Elbow Top Opening	BB245ET	2.25	BB445ET	2.25	BB645ET	3.5	1 Flat
45° Elbow Inside Opening	BB245EI	2.25	BB445EI	2.25	BB645EI	7.5	1 Flat
45° Elbow Outside Opening	BB245EO	2.25	BB445EO	2.25	BB645EO	3.5	1 Flat
Tee Fitting Top Opening	BB2TT	2.75	BB4TT	3.25	BB6TT	6	2 Flat
Tee Fitting Outside Opening	BB2TO	2.75	BB4TO	3.25	BB6TO	6	2 Flat
Closing Plate	BB2CP	0.25	BB4CP	0.5	BB6CP	1	1 Angle
Box Connector	BB2AD	0.25	BB4AD	0.25	BB6AD	0.5	1 Angle
Reducer			BB42R	2	BB64R	3	-
1" Nipple	BB2N1	0.75	BB4N1	1	BB6N1	1.5	1 Flat
2" Nipple	BB2N2	1	BB4N2	1.25	BB6N2	2	1 Flat
3" Nipple	BB2N3	1.25	BB4N3	1.75	BB6N3	2.75	1 Flat
Swivel Nipple Boîtier Entry (not shown)	BB2SWL1	1	BB4SWL1	1.50	BB6SWL1	2	1 Angle
Swivel Nipple Regular (not shown)	BB2SWL2	1.25	BB4SWL2	1.75	BB6SWL2	2.75	2 Angle
Hanger	BB2H	0.75	BB4H	1	BB6H	1.25	-
Bracket Hanger	BB2HM	1.5	BB4HM	1.75	BB6HM	2	-
Flat Sealing Plate (not shown)	BB2FSP	0.25	BB4FSP	0.25	BB6FSP	0.5	-
Angle Sealing Plate (not shown)	BB2ASP	0.25	BB4ASP	0.25	BB6ASP	0.5	-
Cut-Off Fitting (lay-in)	BB2COF	4.25	BB4COF	6.25	BB6COF	9.25	1 Flat
Adjustable Fitting	BB2AF	2.5	BB4AF	3.5	BB6AF	5.75	1 Spéc.
Junction Boîtier	BB2JB	9.5	BB4JB	14.25	BB6JB	19.5	1 Flat
Cross Fitting Top Opening	BB2CFT	3	BB4CFT	5.5	BB6CFT	6.5	3 Flat
12" Clockwise transposition Section	BB2CC	3.5	BB4CC	5.25	BB6CC	7.75	1 Flat
12" Counter-Clock Transposition Section	BB2CRC	3.5	BB4CRC	5.25	BB6CRC	7.75	1 Flat

# BB..LD Series

## NEMA 12 - Oil and Dust Tight Lay-In Wireway



A x B	C	D	E	G	H	J	K	M	N	P	R	S	T	U
2.500 x 2.500	12, 24, 36, 48, 60, 120	3.875	3.875	8.500	4.25	2.275	4.25	12.000	10.25	4.625	3.597	9.25	4.500	4.375
4.000 x 4.000	12, 24, 36, 48, 60, 120	5.375	5.375	10.000	5.000	2.586	5.000	14.000	13.875	6.125	3.597	11.75	6.000	5.875
6.000 x 6.000	12, 24, 36, 48, 60, 120	7.625	7.625	12.000	6.000	3.000	6.000	16.000	17.875	8.25	3.597	15.25	8.125	7.875

---

# Original Equipment Manufacturers (OEMs)

Customized products are part of our DNA.  
We manufacture to your specifications.



**Thanks to our engineering expertise, digital tools, and welding robots, we can produce customized product solutions to meet a range of customer specifications, particularly those of original equipment manufacturers (OEMs).**

## Examples of customization

- Paint color
- Materials
- Dimensions and configurations
- Shapes and cutouts
- Size and position of holes/openings
- Added shelves or partitions
- Special handles and locking systems
- Ventilation devices
- Inner panels
- Added windows
- And much more!





---

## Custom Enclosures

Model COA & JR

The computer angle station offers a full-featured, ready-to-use solution to protect computer systems in an industrial environment.

The enclosure could include an upper front window door, lower front solid door, shelves for computer and printer, and a keyboard compartment.



The oil and dust tight JR enclosure is designed to house a computer right on site, where the action is...

The enclosure could include a special frame to accommodate a 19" or 24" rack equipment.

---

# Accessories

A complete range of accessories for faster and safer integration. The right accessory selection saves installation time, improves access and wiring, and enhances system reliability.

## **Essentials for your installations**

- Distribution blocks and grounding kits
- Mounting accessories
- Window kits
- Locks and handles
- Replacement inner panels
- Ventilation kits and air filters

## Accessories

### Spare Inner Panels For MC, K

#### AKP Series

#### Spare inner panels for all K enclosures

##### Technical specifications:

- Made from 14 and 12 gauge galvanized steel depending on sizes
- Galvanized natural finish (unpainted )

Cat. No.	Box Size Height x Width	Panel Size Height x Width	Weight lbs.
AKP1612	16 x 12	14 x 10	4
AKP2016	20 x 16	18 x 14	8
AKP2020	20 x 20	18 x 18	10
AKP2420	24 x 20	22 x 18	13
AKP2424	24 x 24	22 x 22	15
AKP3020	30 x 20	28 x 18	16
AKP3024	30 x 24	28 x 22	19
AKP3624	36 x 24	34 x 22	23
AKP3630	36 x 30	34 x 28	29
AKP4224	42 x 24	40 x 22	27
AKP4230	42 x 30	40 x 28	35
AKP4236	42 x 36	40 x 34	42
AKP4836	48 x 36	46 x 34	47

#### AMCP Series

#### Spare inner panels for all MC enclosures

##### Technical specifications:

- Made from 16 and 14 gauge steel
- ANSI/ASA61 grey polyester textured powder coating inside out
- Supplied with on grounding screw

Cat. No.	Box Size Height x Width	Panel Size Height x Width	Weight lbs.
AMCP2713	27 x 13	23 x 9	6
AMCP2020	20 x 20	16 x 16	7
AMCP3020	30 x 20	26 x 16	11
AMCP3030	30 x 30	26 x 26	18
AMCP3636	36 x 36	32 x 32	31
AMCP4848	48 x 48	44 x 44	46

## Accessories

### Spare Inner Panels For S and R Enclosures

#### ASP Series

##### Spare inner panels for all S enclosures

###### Technical specifications:

- Made from 14 gauge galvanized steel
- Natural finish (unpainted)
- All panels have four mounting holes
- Ground symbols and holes

Cat. No.	Box Size Height x Width	Panel Size Height x Width	Weight lbs.
ASP0604	6 x 4	4.875 x 2.875	0.5
ASP0606	6 x 6	4.875 x 4.875	0.75
ASP0806	8 x 6	6.875 x 4.875	1
ASP0808	8 x 8	6.875 x 6.875	1.25
ASP1008	10 x 8	8.875 x 6.875	1.5
ASP1010	10 x 10	8.875 x 8.875	2
ASP1210	12 x 10	10.875 x 8.875	2.25
ASP1212	12 x 12	10.875 x 10.875	2.75
ASP1412	14 x 12	12.875 x 10.875	3.25
ASP1614	16 x 14	14.875 x 12.875	4.25
ASP2012	20 x 12	18.875 x 10.875	4
ASP2016	20 x 16	18.875 x 14.875	5
ASP2412	24 x 12	22.875 x 10.875	5
ASP2416	24 x 16	22.875 x 14.875	6
ASP2420	24 x 20	22.875 x 18.875	8

#### ARP Series

##### Spare inner panels for all R enclosures

###### Technical specifications:

- Made from 14 and 12 gauge galvanized steel
- Natural finish (unpainted)
- All panels have 4 or 6 or 8 mounting holes all depend of the size
- Ground symbols and holes

Cat. No.	Box Size Height x Width	Panel Size Height x Width	Weight lbs.
ARP1612	16 x 12	13 x 9	3.75
ARP1616	16 x 16	13 x 13	5.25
ARP2012	20 x 12	17 x 9	4.75
ARP2016	20 x 16	17 x 13	6.75
ARP2020	20 X 20	17 x 17	10
ARP2412	24 X 12	21 x 9	6.5
ARP2416	24 X 16	21 x 13	9
ARP2420	24 X 20	21 x 17	12
ARP2424	24 X 24	21 x 21	15
ARP3012	30 X 12	27 x 9	9
ARP3016	30 X 16	27 x 13	12
ARP3020	30 X 20	27 x 17	16
ARP3024	30 X 24	27 x 21	18
ARP3030	30 X 30	27 x 27	24
ARP3624	36 X 24	33 x 21	23
ARP3630	36 X 30	33 x 27	28
ARP3636	36 X 36	33 x 33	34
ARP4224	42 X 24	39 x 21	27
ARP4230	42 X 30	39 x 27	35
ARP4236	42 X 36	39 x 33	42
ARP4824	48 X 24	45 x 21	31
ARP4830	48 X 30	45 x 27	41
ARP4836	48 X 36	45 x 33	49
ARP6036	60 X 36	57 x 33	60
ARP7230	72 X 30	69 x 27	61
ARP7236	72 X 36	69 x 33	74

## Accessories

Panels For HD and FRS Enclosures

### AHDP Series

#### Spare inner panels for all HD double door enclosures

##### Technical specifications:

- Made from 12 gauge
- Galvanized steel unpainted
- Ground symbols and holes. (AHDP7272 will be 12 gauge steel painted white polyester powder coating)

Cat. No.	Box Size Height x Width	Panel Size Height x Width	Weight lbs.
AHDP2442	24 x 42	20 x 38	26
AHDP3042	30 x 42	26 x 38	36
AHDP3648	36 x 48	32 x 44	50
AHDP4848	48 x 48	44 x 44	58
AHDP5442	54 x 42	50 x 38	80
AHDP6048	60 x 48	56 x 44	103
AHDP6060	60 x 60	56 x 56	130
AHDP7260	72 x 60	68 x 56	157
AHDP7272	72 x 72	68 x 68	192

### AFF and AFH Series

#### Spare inner panels for FRS series, single door enclosures

##### Technical specifications:

- Made from 12 gauge
- Galvanized steel unpainted
- Ground symbols and holes.

Cat. No.	Description	Box Size Height x Width	Panel Size Height x Width	Weight lbs.
AFH6024	half height	60 x 24	24.875x 20	15.6
AFF6024	full height	60 x 24	48 x 20	29.9
AFH7224	half height	72 x 24	30.875x 20	19.3
AFF7224	full height	72 x 24	60 x 20	37.4
AFH9024	half height	90 x 24	39.875x 20	24.9
AFF9024	full height	90 x 24	78 x 20	48.5
AFH7230	half height	72 x 30	30.875x 26	25.0
AFF7230	full height	72 x 30	60 x 26	48.3
AFH6036	half height	60 x 36	24.875x 32	24.8
AFF6036	full height	60 x 36	48 x 32	47.5
AFH7236	half height	72 x 36	30.875x 32	30.7
AFF7236	full height	72 x 36	60 x 32	59.2
AFH9036	half height	90 x 36	39.875x 32	30.7
AFF9036	full height	90 x 36	78 x 32	76.9

### AFFSP Series

#### Side mounted panels for FRS series, single door enclosures

##### Technical specifications:

- Made from 12 gauge
- Galvanized steel unpainted
- Ground symbols and holes
- Flat construction.

Cat. No.	Box Size Height x Width	Panel Size Height x Width	Weight lbs.
AFFSP6024	60 x 24	48 x 14	21
AFFSP6036	60 x 36	48 x 26	38
AFFSP7224	72 x 24	60 x 14	26
AFFSP7230	72 x 30	60 x 20	36
AFFSP7236	72 x 36	60 x 26	47
AFFSP9024	90 x 24	78 x 14	33
AFFSP9036	90 x 36	78 x 26	61

## Accessories

### AWK SERIES Window kits

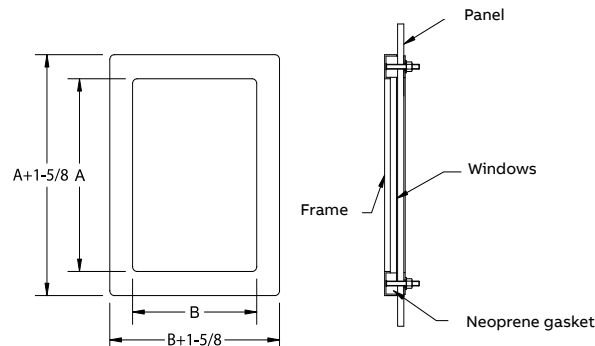


#### Technical specifications:

- Frame made with heavy gauge steel
- 1/4" thick clear polycarbonate (lexan)
- Shipped complete with all mounting hardware
- Water-tight gasket
- Recommended cut-out size  $(A+1-5/8) \times (B+1-5/8)$
- Be sure to allow space for door handles, door stiffeners, print pockets or other items attached to the door when determining if a window kit fit in a door
- Custom sizes, materials and finishes available upon request
- ANSI/ASA61 grey polyester textured coating over a phosphatized base
- Stainless steel on request (Ex. AWK..SS)

Cat. No.	A	B		Frame $(A+1-5/8) \times (B+1-5/8)$	Weight lbs.
AWK53	5	3	7.5	5.5	1.4
AWK95	9	5	11.5	7.5	2.8
AWK1010	10	10	12.5	12.5	6.3
AWK1212	12	12	14.5	14.5	7.5
AWK133	13	3	15.5	5.5	3.3
AWK138	13	8	15.5	10.5	4.3
AWK175	17	5	19.5	7.5	4.9
AWK1711	17	11	19.5	13.5	6.4
AWK2315	23	15	25.5	17.5	9.2
AWK2919	29	19	31.5	21.5	13.3
AWK3523	35	23	37.5	25.5	17.1

#### Diagrams



## Accessories

### AMF Series Mounting feet kits (pair)



#### Technical specifications:

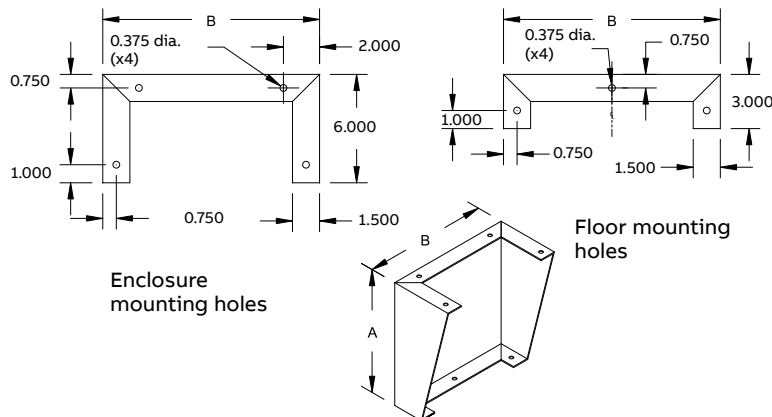
- Made with heavy gauge steel
- ANSI/ASA61 grey polyester textured coating
- Suitable for R and HD enclosures
- Shipped complete with two (2) mounting feet and bolts for field installation
- Other sizes on request

#### How to order:

- height of feet requires = 12", depth of enclosure - 6", mounting feet cat. no. is then AMF 1206

Depth "B"	6"		12"		15"		18"		Mounting Feet Height "A"	
	Cat. No.	Weight	Cat. No.	Weight	Cat. No.	Weight	Cat. No.	Weight	Cat. No.	Weight
6	AMF0606	7.3	AMF1206	12.6	AMF1506	15.2	AMF1806	17.9	AMF2406	23.1
8	AMF0608	8.4	AMF1208	14.4	AMF1508	17.4	AMF1808	20.3	AMF2408	26.3
10	AMF0610	9.4	AMF1210	16.1	AMF1510	19.5	AMF1810	22.8	AMF2410	29.5
12	AMF0612	10.4	AMF1212	17.9	AMF1512	21.6	AMF1812	25.3	AMF2412	32.7
16	AMF0616	12.5	AMF1216	21.4	AMF1516	25.8	AMF1816	30.3	AMF2416	39.1
20	AMF0620	14.6	AMF1220	24.9	AMF1520	30.1	AMF1820	35.2	AMF2420	45.5
24	AMF0624	16.7	AMF1224	28.4	AMF1524	34.3	AMF1824	40.2	AMF2424	51.9

#### Diagrams



## Accessories

### Special Handles

Quarter turn standard cut out, for A11KK, A16Ks, A12KTC, A15KR and A15KRK

#### Cat. no. A11KK

##### Flush Lock Kits ¼ Turn Latch

- Used on K Series
- High quality black zinc plated
- Supply with latch and clip for easy field installation
- Rated NEMA 1



#### Cat. no. A16KS/A16KS-SS

##### Flush Lock Kits ¼ Turn Latch

- Used on S Series
- High quality black zinc plated for A16KS and stainless steel for A16KS-SS
- Supplied with latch gasket, nut and O-ring gasket for field installation
- Rated NEMA 12-4



#### Cat. no. A16KSK

##### Flush Key Lock Kit

- Used for S Series
- High quality black zinc plated
- Supply with latch gasket, nut and O-ring gasket for field installation
- Rated NEMA 12-3R



#### Cat. no. A12KTC

##### Flush Key Lock Kit 1/4 Turn Latch

- Used on TCS, TCF, EUKO and K Series
- High quality black zinc plated
- Supplied with latch and clip for easy field installation
- General purpose application only
- Rated NEMA 1



---

## Accessories

### Special Handles

Quarter turn standard cut out, for A11KK, A16Ks, A12KTC, A15KR and A15KRK

#### Cat. no. A14K

##### Toggle Pull Latch

- Made from steel, zinc plated
- Provides a provision from padlock
- To be mounted externally, suitable for oil-tight enclosures
- Rated NEMA 12-4



#### Cat. no. A15KR/A15KR-SS

##### Flush Lock Kit ¼ Turn Latch

- Used on R Series
- High quality black zinc plated for A15KR and stainless steel for A15KR-SS
- Supplied with latch gasket, nut and O-ring gasket for field installation
- Rated NEMA 12-4



#### Cat. no. A15KRK

##### Flush Key Lock Kit

- Used on R Series
- High quality black zinc plated
- Rated NEMA 12-3R



## Accessories

### Three-Point Lock - Automotive Type Handles

#### Cat. no. A8K

##### Padlocking Vault Handle Kit

- 6" long cadmium plated handle
- 3.25" long shaft
- Shipped complete with latch, nuts and bolts for field installation
- May be used for oil-tight or weather-proof applications; not suitable for water-tight applications
- Can be factory installed; specify suffix "F" (Ex. A8F)
- Rated NEMA 12-3R



#### Cat. no A10K

##### Automotive Locking Handle Kit

- 3.75" long chrome plated handle and flange
- 3" long latch shaft
- One single type of key
- May be used for oil-tight or weather-proof applications; not suitable for water-tight applications
- Supplied with latch and screws for field installation
- Can be factory installed; specify suffix "F" instead of "K" (Ex. A10F)
- Rated NEMA 12-3R



#### Cat. no A10K3 – A8K3

##### Automotive Three Point Lock Kit

- Same type handle and A10K - A8K, plus top and bottom nylon rollers latch bars
- Shipped complete with all necessary hardware for field installation
- Enclosure catalog no. must be specified when ordering A10K3 or A8K3 handle
- May be used for oil-tight or weather-proof applications not suitable for water-tight applications
- Can be factory installed; specify "F" instead of "K" (Ex. A10F3 or A8F3)
- Rated NEMA 12-3R



#### Cat. no AMK – AMK3

##### Enclosure flush handle

- Single or 3 points lock
- Designed for type 4-12 enclosures
- Complete with key and padlock rings.
- Two keys provided
- Finish textured black
- Rated NEMA 4-12



---

## Accessories

### Three-Point Lock - Automotive Type Handles

#### Cat. no. AHD108K

##### Heavy duty latch

- Single point lock
- Rated NEMA 4-12
- Padlocking handle



#### Cat. no. AHD108K3

##### Heavy duty latch

- Three points lock
- Rated NEMA 4-12
- Padlocking handle



#### Cat. no. AHD110K

##### Heavy duty latch

- Single point lock
- Two keys provided
- Rated NEMA 4-12
- Keyed handle
- C/W padlocking hasp



#### Cat. no. AHD110K3

##### Heavy duty latch

- Three points lock
- Two keys provided
- Rated NEMA 4-12
- Keyed handle
- C/W padlocking hasp



## Accessories

### Mounting Hardware

#### Cat. no. AMFRS / AMFRSS

##### External Mounting Feet

- Made from galvanized steel, for AMFRS
- Made from stainless #304 for AMFRSS
- To be mounted externally; suitable for water- / oil-tight enclosures
- Standard with every "R" enclosure
- Supplied with all necessary hardware for field installation



#### Cat. no. APRS / APRSS

##### Provision for Padlocks

- Made from galvanized steel for APRS
- Made from stainless steel #304 for APRSS
- Provides a provision for padlocks
- Standard with every "R" and "AMC" enclosure
- To be mounted externally; suitable for water- / oil-tight enclosures
- Supplied with all necessary hardware for field installation



#### Cat. no. AGPSRK

##### Padlock adapter

- Padlock adapter fits directly over the slotted quarter turn preventing access.
- 2mm thick 14 gauge stainless steel.
- Stainless steel mounting hardware provided.
- Once installed, the bolts cannot be removed without the door open.
- Easy installed in the field.
- Maintains UL/CSA Type 4 rating



#### Cat. no. AMR

##### Galvanized mounting rails unpainted

- Galvanized mounting rails unpainted, for R, HD and FRS series
- Perforated and slotted, for easy wiring installation.
- AMR-R, AMR-HD or AMR-FRS enclosures, add H for horizontal or V for vertical mounting rail. (AMR-RH or AMR -RV)
- Call factory for sizes and prices.



---

## Accessories

### Mounting Hardware

#### Cat. no. ALEK

##### Lifting Eyes Kits (Pair)

- 1/2 - 13 lifting eyes used on BEL large enclosures
- Sold by pair complete with flat seal washers and nuts
- Lifting capacity approximately 2500 lb each
- Can be factory installed (specify "F" instead of "K"; Ex. ALEF)



#### Cat. no. AHR / AHR-SS

##### Hinges for R Series

- Used for R Series
- Made of steel, zinc plated for AHR
- Made from stainless steel #304 for AHR-SS



#### Cat. no. APG / APW

##### Spray Paint

- Gray paint "APG" (spray can)
- White paint "APW" (spray can)

#### Cat. no. ASIL

##### Silicone

- Silicone provided for EEMAC requirement
- Standard with ADSR-ADSHD

## Accessories

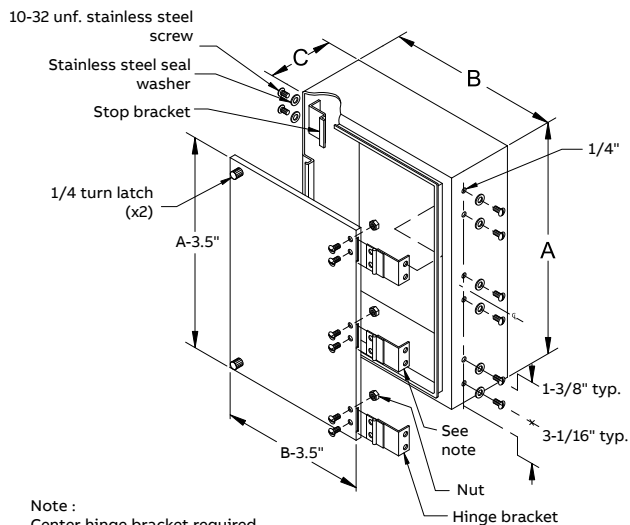
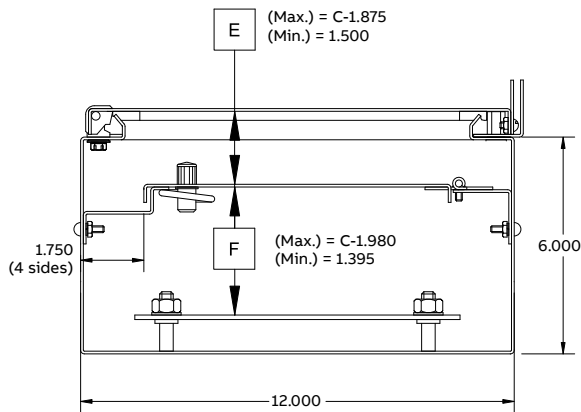
### ASPK Series - Swing Out Panel Kits For R Enclosures



**Caractéristiques :**

- Used to allow installation of components near the front of the enclosure.
- All kits are supplied with the necessary hardware and instructions.
- Outside screws are stainless steel.
- Designed to be used in the R.RAL and RSS single door enclosure series.
- White polyester coated over phosphatized surfaces.
- Can be factory installed (specify "F" instead of "K"; Ex. ASPF1620).

**Diagrams**



Cat. No.	Box Size Height x Width	Panel Size Height x Width	Weight lbs.
ASPK1224	12 x 24	8.5 x 20.5	5.5
ASPK1616	16 x 16	12.5 x 12.5	4.5
ASPK1620	16 x 20	12.5 x 16.5	6.25
ASPK2016	20 x 16	16.5 x 12.5	6.25
ASPK2020	20 x 20	16.5 x 16.5	7.75
ASPK2024	20 x 24	16.5 x 20.5	9.25
ASPK2412	24 x 12	20.5 x 8.5	5.5
ASPK2416	24 x 16	20.5 x 12.5	7.25
ASPK2420	24 x 20	20.5 x 16.5	9.25
ASPK2424	24 x 24	20.5 x 20.5	11
ASPK2430	24 x 30	20.5 x 26.5	14
ASPK3020	30 x 20	26.5 x 16.5	10.5
ASPK3024	30 x 24	26.5 x 20.5	14
ASPK3030	30 x 30	26.5 x 26.5	18
ASPK3036	30 x 36	26.5 x 32.5	21.5
ASPK3624	36 x 24	32.5 x 20.5	17.25
ASPK3630	36 x 30	32.5 x 26.5	21.5
ASPK3636	36 x 36	32.5 x 32.5	26
ASPK4224	42 x 24	30.5 x 20.5	20
ASPK4230	42 x 30	38.5 x 26.5	25
ASPK4236	42 x 36	38.5 x 32.5	30.25
ASPK4824	48 x 24	44.5 x 20.5	23.5
ASPK4830	48 x 30	44.5 x 26.5	29.5
ASPK4836	48 x 36	44.5 x 32.5	35
ASPK6036	60 x 36	56.5 x 32.5	44
ASPK7230	72 x 30	68.5 x 26.5	52.75
ASPK7236	72 x 36	68.5 x 32.5	55

## Accessories

### Drip Shield Kits

#### Technical specifications:

- Designed for use on our standard R and HD enclosure series (EEMAC/NEMA 12-3R)
- Each kit includes drip shield, silicone stainless steel 10/32 screws and plated nuts
- ANSI/ASA61 grey polyester textured powder coating applied over phosphatized surfaces
- Can be factory installed (specify "F" after catalog number; Ex. ADSRF12, ADShDF42)

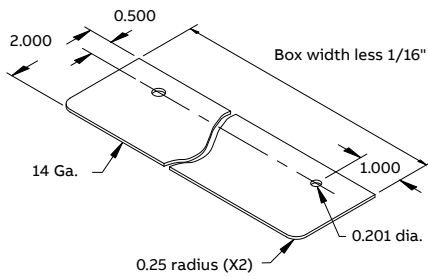
#### Single door, "R" Series

Cat. No.	Width box
ADSR12	12
ADSR16	16
ADSR20	20
ADSR24	24
ADSR30	30
ADSR36	36

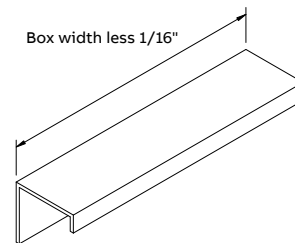
#### Double door enclosures, "R" and "HDM" Series

Cat. No.	Width box
ADSHD42	42
ADSHD48	48
ADSHD60	60
ADSHD72	72

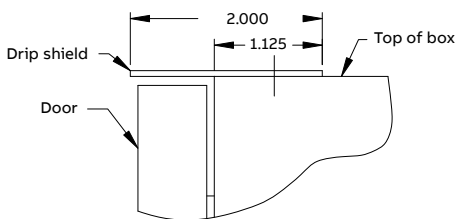
#### Diagrams



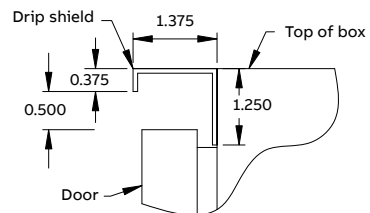
ADSR Series



ADSHD Series



ADSR Series assembly



ADSHD Series assembly

## Accessories

### Ventilating plates, air filter kits

#### Technical specifications:

- Made from 14 gauge steel
- Supplied with all necessary nuts and bolts
- Designed to provide ventilation to panel mounted instruments and controls
- Special sizes available on request
- Air filter can be supplied in form of a kit, consisting of a perforated steel frame, and a fiber filtering media. Factory installed on request only (specify "F" instead of "K"; Ex. AFLF4)
- ANSI / ASA61 grey polyester textured coating over a phosphatized base.

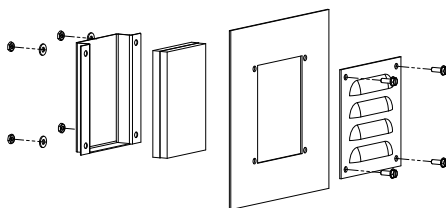
#### How to order

- Ventilating plates and air filter assembly must be ordered separately.



Cat. No.	A x B	No. of louvers	Lght. of louvers	Opening area (in <sup>2</sup> )	Cat. No. Air filter kit
AVP4	4.875 X 4.875	4	3.5	1.6	AFLK4
AVP8	5.5 X 10.5	8	3.5	3.2	AFLK8
AVP12	5.5 X 15.5	12	3.5	4.8	AFLK12

#### Diagram



## Grounding Kits

### Technical specifications:

- Grounding kits are supplied with all necessary mounting hardware
- All connectors are CU-AL approved
- Can be factory installed (specify "F" after cat. No.; Ex. TGR200F)



GK



GRBG



BGR200



BGR400



BRG600



TGR200



TGR400



TGR600



Cat. No.	Application	No. of circuits and wire sizes
TGR200	Splitter trough	7 x (2-14 Cu-Al)
TGR400	Splitter trough	7 x (2-14 Cu-Al) et 1 x (1/0-14 Cu-Al)
TGR600	Splitter trough	7 x (2-14 Cu-Al) et 1 x (300KCM - 6 Cu-AL)
BGR200	Splitter box	4 x (2-14 Cu-Al)
BGR400	Splitter box	4 x (2-14 Cu-Al) et 1 x (1/0-14 Cu-Al)
BGR600	Splitter box	4 x (2-14 Cu-Al) et 1 x (300KCM - 6 Cu-Al)
GRBG	Bus gutters	Connectors to be ordered seperatly; room for 5 lugs (threaded holes 1/4-20 into 1/4 x 1" aluminum busbar)
GK	Junction / Pull box	3 x (4-14 Cu-Al)

## Polyester Insulators



6375-S10



1100-A1



3213-S6



5350-A6

### Fiberglass Reinforced Polyester Insulators

#### Technical specifications:

- Red color
- Aluminum insert
- Specific voltage rating available on request



Cat. No.	Height (in.)	Diam. (in.)	Rated voltage (CA)	Thread size	Tensile strenght	Cantilever strenght	Compression strenght	Weight lbs.
1100-A1	1.000	1.125	600	1/4-20 x 1/4 deep	600	300	6000	0.055
3213-S6	2.125	2.500	2500	1/2-13 x 5/8 deep	3000	3500	50000	0.620
5350-A6	3.500	2.500	5000	1/2-13 x 5/8 deep	5700	3200	27000	0.720
6375-S10	6.000	2.750	15000	3/8-16 x 3/4 deep	3000	3200	30000	2.040

## General Information

### Powder Textured Polyester Coating

To produce a tougher and more resistant finish, BEL Products Inc. enclosures, including lay-in wireways, “D” and “E” boxes and splitter boxes are coated with a powder textured polyester.

BEL electrical enclosures provide better resistance to:

- Chipping
- Chalking and colour change
- Chemicals and stains

BEL powder textures polyester coating accelerated laboratory tests showed:

- No Blistering (in 1000 hours of humidity)
- No face rust (in 1000 hours of 5% salt spray)
- No peeling (in 500 hours of 49°C water immersion)

### Chemical Resistance for Powder Textured Polyester Coatings

	1 week	1 month	3 months	6 months	9 months
Hydrochloric Acid, 10%	◻	●			
Hydrochloric Acid, (conc.)	◻	●			
Sulphuric Acid, 10%	○	○	○	○	○
Sulphuric Acid, 30%	◻	◻	●	●	
Nitric Acid, 3%	◻	◻	●		
Nitric Acid, 30%	●				
Phosphoric Acid, 10%	○	○	○	○	○
Phosphoric Acid, 40%	○	○	○	○	○
Acetic Acid, 10%	○	○	●		
Acetic Acid, 50%	●				
Lactic Acid, 5%	○	○	○	○	○
Lactic Acid, 10%	○	○	○	○	○
Sodium Hydroxide, 5%	○	○	○	○	○
Sodium Hydroxide, 30%	○	○	○	○	◻
Ammonia, 10%	○	○	○	○	◻
Ammonia (concentrated)	○	○	○	◻	●
Javelle Bleach (caustic)	○	○	◻	●	
Distilled Water	○	○	○	○	○
Synthetic Salt Water	○	○	○	○	○
Formaldehyde, 40%	○	○	○	○	○
Ethanol, 10%	○	○	○	○	○
Ethylacetate	●				
Toluol	◻	◻	◻	●	
Benzen	◻	◻	●	●	
Leaded Gasoline	○	○	○	○	○
Kerosene	○	○	○	○	○

○ No Change

◻ Some Softening

● Severe Softening

## General Information

### For The Application of Stainless Steel (Austenite)




A.I.S.I. Grade	Features	When and Where to Use it
Shade 304	The amount of carbon limited to a maximum of 0.08	Applications similar to Shade 302 with a higher resistance to corrosion on surfaces affected by welding
Shade 316	Exceptional resistance to corrosion; improved resistance to distortion	For extreme conditions of corrosion

### Finishes

Number 2B	Cold-laminated, bright. Laminated finish for all uses. Finish varies according to type and thickness of stainless steel. Thin sheets usually brighter than thick ones.
Number 4	A polished finish for all uses. Utilization applies to restaurants and dairy accessories, food product treatment or transformation, medical and chemical equipment, as well as to a variety of architectural products.

## General Information

### NEMA, UL and CSA Designations

Enclosure Rating	National Electrical Manufacturers Association (NEMA Standard 250) and Electrical and Electronic Mfg. Association of Canada (EEMAC)	Underwriters Laboratories Inc. (UL50 and UL 508)	Canadian Standard Association Standard C22.2 (No94)
			
<b>TYPE 1</b>	Enclosures are intended for indoor use primarily to provide a degree of protection against contact with the enclosed equipment or locations where unusual service conditions do not exist.	Indoor use primarily to provide protection against contact with the enclosed equipment and against a limited amount of falling dirt.	General purpose enclosure. Protects against accidental contact with live parts.
<b>TYPE 2</b>	Enclosures are intended for indoor use primarily to provide a degree of protection against limited amounts of falling water and dirt.	Indoor use to provide a degree of protection against limited amounts of falling water and dirt.	Indoor use to provide a degree of protection against dripping and light splashing of non-corrosive liquids and falling dirt.
<b>TYPE 3</b>	Enclosures are intended for outdoor use primarily to provide a degree of protection against windblown dust, rain and sleet; undamaged by the formation of ice on the enclosure.	Outdoor use to provide a degree of protection against windblown dust and windblown rain; undamaged by the formation of ice on the enclosure.	Indoor or outdoor use; provides a degree of protection against rain, snow and windblown dust; undamaged by the external formation of ice on the enclosure.
<b>TYPE 3R</b>	Enclosures are intended for outdoor use primarily to provide a degree of protection against falling rain and sleet, undamaged by the formation of ice on the enclosure.	Outdoor use to provide a degree of protection against falling rain undamaged by the formation of ice on the enclosure.	Indoor or outdoor use; provides a degree of protection against rain and snow undamaged by the external formation of ice on the enclosure.
<b>TYPE 4</b>	Enclosures are intended for indoor or outdoor use primarily to provide a degree of protection against windblown dust and rain, splashing water and hose-directed water, undamaged by the formation of ice on the enclosure.	Either indoor or outdoor use to provide a degree of protection against falling rain, splashing water and hose-directed water; undamaged by the formation of ice on the enclosure.	Indoor or outdoor use; provides a degree of protection against rain and snow, windblown, dust, splashing and hosedirected water undamaged by the external formation of ice on the enclosure.
<b>TYPE 4X</b>	Enclosures are intended for indoor or outdoor use primarily to provide a degree of protection against corrosion, windblown dust and rain, splashing water and hosedirected water; undamaged by the formation of ice on the enclosure.	Either indoor or outdoor use to provide a degree of protection against falling rain, splashing water and hose-directed water; undamaged by the formation of ice on the enclosure; resists corrosion.	Indoor or outdoor use; provides a degree of protection against rain and snow, windblown, dust, splashing and hosedirected water undamaged by the external formation of ice on the enclosure; resists corrosion.
<b>TYPE 6</b>	Enclosures are intended for use indoors or outdoors where occasional submersion is encountered.	Indoor or outdoor use to provide a degree of protection against entry of water during temporary submersion at a limited depth; undamaged by the formation of ice on the enclosure.	Indoor or outdoor use; provides a degree of protection against the entry of water during temporary submersion at a limited depth; undamaged by the external formation of ice on the enclosure; resist corrosion.
<b>TYPE 12</b>	Enclosures are intended for indoor use primarily to provide a degree of protection against dust, falling dirt and dripping non-corrosive liquids.	Indoor use to provide a degree of protection against dust dirt, fiber flyings, dripping water and external condensation of non-corrosive liquids.	Indoor use; provides a degree of protection against circulating dust, lint, fibers and flyings; dripping and light splashing of non-corrosive liquids; not provided with knockouts.
<b>TYPE 13</b>	Enclosures are intended for indoor use primarily to provide a degree of protection against dust, spraying of water, oil and non-corrosive coolant.	Indoor use to provide a degree of protection a gainst lint, dust seepage, external condensation and spraying of water, oil and non-corrosive liquids.	Indoor use; provide a degree of protection against circulating dust, lint, fibers and flyings; seepage and spraying of noncorrosive liquids, including oils and coolants.

## Index

Cat No.	Page	Cat No.	Page	Cat No.	Page	Cat No.	Page
1PB	70	A8K3	85	AHDP5442	80	AMF1808	82
1PBC	70	A10K	85	AHDP6048	80	AMF1810	82
1PBM	71	A10K3	85	AHDP6060	80	AMF1812	82
1PBMC	71	A11KK	83	AHDP7260	80	AMF1816	82
2PB	70	A12KTC	83	AHDP7272	80	AMF1820	82
2PBC	70	A14K	84	AHR	88	AMF1824	82
2PBM	71	A15KR	84	AHR-SS	88	AMF2406	82
2PBMC	71	A15KRK	84	AKP1612	78	AMF2408	82
3PB	70	A15KR-SS	84	AKP2016	78	AMF2410	82
3PBC	70	A16KS	83	AKP2020	78	AMF2412	82
3PBM	71	A16KSK	83	AKP2420	78	AMF2416	82
3PBMC	71	A16KS-SS	83	AKP2424	78	AMF2420	82
4PB	70	ADSHD42	90	AKP3020	78	AMF2424	82
4PBC	70	ADSHD48	90	AKP3024	78	AMF2424	82
4PBM	71	ADSHD60	90	AKP3624	78	AMFRSS	87
4PBMC	71	ADSHD72	90	AKP3630	78	AMK	85
4SPBC	70	ADSR12	90	AKP4224	78	AMK3	85
4SPB-Z	70	ADSR16	90	AKP4230	78	AMR	87
6PB	70	ADSR20	90	AKP4236	78	APG	88
6PBC	70	ADSR24	90	AKP4836	78	APRS	87
6PBM	71	ADSR30	90	ALEK	88	APRSS	87
6PBMC	71	ADSR36	90	AMC202010-A8F	33	APW	88
9PB	70	AFF6024	80	AMC271310	33	ARP1612	79
9PBC	70	AFF6036	80	AMC302010	33	ARP1616	79
9PBM	71	AFF7224	80	AMC303010	33	ARP2012	79
9PBMC	71	AFF7230	80	AMC363612	33	ARP2016	79
12PB	70	AFF7236	80	AMC484812	33	ARP2020	79
12PBC	70	AFF9024	80	AMCP2020	78	ARP2412	79
12PBM	71	AFF9036	80	AMCP2713	78	ARP2416	79
12PBMC	71	AFFSP6024	80	AMCP3020	78	ARP2420	79
16PB	70	AFFSP6036	80	AMCP3030	78	ARP2424	79
16PBC	70	AFFSP7224	80	AMCP3636	78	ARP3012	79
16PBM	71	AFFSP7230	80	AMCP4848	78	ARP3016	79
16PBMC	71	AFFSP7236	80	AMF0606	82	ARP3020	79
20PB	70	AFFSP9024	80	AMF0608	82	ARP3024	79
20PBC	70	AFFSP9036	80	AMF0610	82	ARP3030	79
20PBM	71	AFH6024	80	AMF0612	82	ARP3624	79
20PBMC	71	AFH6036	80	AMF0616	82	ARP3630	79
25PB	70	AFH7224	80	AMF0620	82	ARP3636	79
25PBC	70	AFH7230	80	AMF0624	82	ARP4224	79
25PBM	71	AFH7236	80	AMF1206	82	ARP4230	79
25PBMC	71	AFH9024	80	AMF1208	82	ARP4236	79
30PB	70	AFH9036	80	AMF1210	82	ARP4824	79
30PBC	70	AFLK4	91	AMF1212	82	ARP4830	79
30PBM	71	AFLK8	91	AMF1216	82	ARP4836	79
30PBMC	71	AFLK12	91	AMF1220	82	ARP6036	79
36PB	70	AGPSRK	87	AMF1224	82	ARP7230	79
36PBC	70	AHD108K	86	AMF1506	82	ARP7236	79
42PB	70	AHD108K3	86	AMF1508	82	ASIL	88
42PBC	70	AHD110K	86	AMF1510	82	ASPO604	79
1100-A1	93	AHD110K3	86	AMF1512	82	ASPO606	79
3213-S6	93	AHDP2442	80	AMF1516	82	ASP0806	79
5350-A6	93	AHDP3042	80	AMF1520	82	ASP0808	79
6375-S10	93	AHDP3648	80	AMF1524	82	ASP1008	79
A8K	85	AHDP4848	80	AMF1806	82	ASP1010	79

## Index

Cat No.	Page	Cat No.	Page	Cat No.	Page	Cat No.	Page
ASP1210	79	B2J	26	B603-Z	16	BB6JB	72
ASP1212	79	B2T	26	B604-Z	16	BB6N1	72
ASP1412	79	B4AD	26	B625E	26	BB6N2	72
ASP1614	79	B4CF	26	B645E	26	BB6N3	72
ASP2012	79	B4CP	26	B690E	26	BB6SWL1	72
ASP2016	79	B4h	26	BB2AD	72	BB6SWL2	72
ASP2412	79	B4J	26	BB2AF	72	BB6TO	72
ASP2416	79	B4T	26	BB2ASP	72	BB6TT	72
ASP2420	79	B6AD	26	BB2CC	72	BB21LD	72
ASPK1224	89	B6CF	26	BB2CFT	72	BB22LD	72
ASPK1616	89	B6CP	26	BB2COF	72	BB23LD	72
ASPK1620	89	B6h	26	BB2CP	72	BB24LD	72
ASPK2016	89	B6J	26	BB2CRC	72	BB25LD	72
ASPK2020	89	B6T	26	BB2FSP	72	BB41LD	72
ASPK2024	89	B21B	26	BB2H	72	BB42LD	72
ASPK2412	89	B21LD	26	BB2HM	72	BB42R	72
ASPK2416	89	B22B	26	BB2JB	72	BB43LD	72
ASPK2420	89	B22LD	26	BB2N1	72	BB44LD	72
ASPK2424	89	B25B	26	BB2N2	72	BB45LD	72
ASPK2430	89	B25LD	26	BB2N3	72	BB61LD	72
ASPK3020	89	B28B	26	BB2SWL1	72	BB62LD	72
ASPK3024	89	B28LD	26	BB2SWL2	72	BB63LD	72
ASPK3030	89	B41B	26	BB2TO	72	BB64LD	72
ASPK3036	89	B41LD	26	BB2TT	72	BB64R	72
ASPK3624	89	B42B	26	BB4AD	72	BB65LD	72
ASPK3630	89	B42LD	26	BB4AF	72	BB210LD	72
ASPK3636	89	B42R	26	BB4ASP	72	BB245EI	72
ASPK4224	89	B45B	26	BB4CC	72	BB245EO	72
ASPK4230	89	B45LD	26	BB4CFT	72	BB245ET	72
ASPK4236	89	B48B	26	BB4COF	72	BB290EI	72
ASPK4824	89	B48LD	26	BB4CP	72	BB290EO	72
ASPK4830	89	B61B	26	BB4CRC	72	BB290ET	72
ASPK4836	89	B61LD	26	BB4FSP	72	BB410LD	72
ASPK6036	89	B62B	26	BB4H	72	BB445EI	72
ASPK7230	89	B62LD	26	BB4HM	72	BB445EO	72
ASPK7236	89	B64R	26	BB4JB	72	BB445ET	72
AVP4	91	B65B	26	BB4N1	72	BB490EI	72
AVP8	91	B65LD	26	BB4N2	72	BB490EO	72
AVP12	91	B68B	26	BB4N3	72	BB490ET	72
AWK53	81	B68LD	26	BB4SWL1	72	BB610LD	72
AWK95	81	B73-Z	16	BB4SWL2	72	BB645EI	72
AWK133	81	B74-Z	16	BB4TO	72	BB645EO	72
AWK138	81	B103-Z	16	BB4TT	72	BB645ET	72
AWK175	81	B104-Z	16	BB6AD	72	BB690EI	72
AWK1010	81	B203-Z	16	BB6AF	72	BB690EO	72
AWK1212	81	B204-Z	16	BB6ASP	72	BB690ET	72
AWK1711	81	B225E	26	BB6CC	72	BGR200	92
AWK2315	81	B245E	26	BB6CFT	72	BGR400	92
AWK2919	81	B290E	26	BB6COF	72	BGR600	92
AWK3523	81	B403-Z	16	BB6CP	72	BG(x)200-3	23
B2AD	26	B404-Z	16	BB6CRC	72	BG(x)200-4	23
B2CF	26	B425E	26	BB6FSP	72	BG(x)400-3	23
B2CP	26	B445E	26	BB6H	72	BG(x)400-4	23
B2h	26	B490E	26	BB6HM	72	BG(x)600-3	23

## Index

Cat No.	Page	Cat No.	Page	Cat No.	Page	Cat No.	Page
BG(x)600-4	23	COTS203013	67	EUKO10104	06	FT3103	19
BG(x)800-3	23	D16168	08	EUKO10106	06	FT3103SS	21
BG(x)800-4	23	D24248-Z	08	EUKO12124	06	FT3104	19
BG(x)1000-3	23	D30246	08	EUKO12126	06	FT3104SS	21
BG(x)1000-4	23	D202010	08	EUKO16166	06	FT3200	20
BG(x)1200-3	23	D242410	08	EUKO18186	06	FT3203	19
BG(x)1200-4	23	D302010	08	FB73	17	FT3203SS	21
BG(x)1600-3	23	D303010	08	FB74	17	FT3204	19
BG(x)1600-4	23	D362410	08	FB103	17	FT3204SS	21
BG(x)2000-3	23	DB443	11	FB103SS	21	FT3400	20
BG(x)2000-4	23	DKO16168	08	FB104	17	FT3403	19
BG(x)2500-3	23	DKO24246	08	FB104SS	21	FT4100	20
BG(x)2500-4	23	DKO24248	08	FB203	1718	FT4103	19
BPS100	31	DKO30246	08	FB203SS	21	FT4103SS	21
BPS200	31	DKO202010	08	FB204	1718	FT4104	19
BPS200-LG	31	DKO242410	08	FB204SS	21	FT4104SS	21
BPS400LG	31	DKO302010	08	FB403	1718	FT4200	20
C12126	12	DKO303010	08	FB404	1718	FT4203	19
C16166	12	DKO362410	08	FB603	1718	FT4203SS	21
C18126	12	DUKO663	08	FB604	1718	FT4204	19
C18186	12	DUKO664	08	FRS602418	65	FT4204SS	21
C20206	12	DUKO664-RING	10	FRS603624	65	FT4400	20
C24126	12	DUKO884	08	FRS722418	65	FT4403	19
C24246	12	DUKO884-RING	10	FRS722424	65	FT4404	19
C202010	12	DUKO886	08	FRS722430	65	FT4600	20
C202010UG	37	DUKO10104	08	FRS722436	65	FT4603	19
C303010UG	37	DUKO10104-RING	10	FRS723018	65	FT4604	19
C303012	12	DUKO10106	08	FRS723024	65	FT5200	20
C363612	12	DUKO12124	08	FRS723618	65	FT5203	19
C363612UG	37	DUKO12124-RING	10	FRS723624	65	FT5204	19
C484812	12	DUKO12126	08	FRS723630	65	FT5400	20
C484812UG	37	DUKO12126-RING	10	FRS723636	65	FT5403	19
CKO12126	12	DUKO16166	08	FRS902420	65	FT5404	19
CKO16166	12	DUKO16166-RING	10	FRS903620	65	FT5600	20
CKO18126	12	DUKO18186	08	FRS903624	65	FT5603	19
CKO18186	12	DWPF664	30	FRS903636	65	FT5604	19
CKO20206	12	DWPF884	30	FT270-Z	20	FT6100	20
CKO24126	12	DWPF886	30	FT273	19	FT6103	19
CKO24246	12	DWPF10104	30	FT274	19	FT6104	19
COTS080807	67	DWPF10106	30	FT370	20	FT6200	20
COTS081207	67	DWPF12124	30	FT373	19	FT6203	19
COTS081607	67	DWPF12126	30	FT374	19	FT6204	19
COTS082007	67	DWPF16166	30	FT470	20	FT6400	20
COTS121209	67	DWPF18186	30	FT473	19	FT6403	19
COTS121609	67	DWPF24246	30	FT474	19	FT6403SS	21
COTS122009	67	EL664	14	FT2100	20	FT6404	19
COTS122409	67	EL884	14	FT2103	19	FT6404SS	21
COTS161611	67	EL10104	14	FT2103SS	21	FT6600	20
COTS162011	67	EL12124	14	FT2104	19	FT6603	19
COTS162411	67	EL12126	14	FT2104SS	21	FT6604	19
COTS163011	67	EUKO663	06	FT2200	20	GK	92
COTS163611	67	EUKO664	06	FT2203	19	GRBG	92
COTS202013	67	EUKO884	06	FT2203SS	21	GT1244	41
COTS202413	67	EUKO886	06	FT3100	20	GT1266	41

## Index

Cat No.	Page	Cat No.	Page	Cat No.	Page	Cat No.	Page
GT1844	41	HD727220F	63	K202008	44	R201608	55
GT1866	41	HD727224	60	K242008	44	R201608SS	58
GT2444	41	HD727224F	63	K242010-Z	44	R201610	55
GT2466	41	HDM244210	60	K242410	44	R201610AL	57
GT3644	41	HDM244210F	63	K302008	44	R201610SS	58
GT3666	41	HDM304210	60	K302408	44	R201612	55
GT4844	41	HDM304210F	63	K302410	44	R202006	55
GT4866	41	HDM364812	60	K302412	44	R202006SS	58
HD244210	60	HDM364812F	63	K302416	44	R202008	55
HD244210F	63	HDM484812	60	K362408	44	R202008SS	58
HD304210	60	HDM484812F	63	K362410	44	R202010	55
HD304210F	63	HDM544208	60	K363010	44	R202406	55
HD364812	60	HDM544208F	63	K363012	44	R202408	55
HD364812F	63	HDM604808	60	K363016	44	R241206	55
HD484812	60	HDM604808F	63	K422410	44	R241208	55
HD484812F	63	HDM604810	60	K423012	44	R241210	55
HD544208	60	HDM604810F	63	K423612	44	R241606	55
HD544208F	63	HDM604812	60	K483612	44	R241608	55
HD604808	60	HDM604812F	63	L080606	46	R241608SS	58
HD604808F	63	HDM604816	60	L100804	46	R242006	55
HD604810	60	HDM604816F	63	L100806	46	R242006AL	57
HD604810F	63	HDM604820	60	L121007	46	R242006SS	58
HD604812	60	HDM604820F	63	L151206	46	R242008	55
HD604812F	63	HDM604824	60	L161207	46	R242008SS	58
HD604816	60	HDM604824F	63	MC202010	35	R242010	55
HD604816F	63	HDM606010	60	MC271310	35	R242010AL	57
HD604820	60	HDM606010F	63	MC302010	35	R242010SS	58
HD604820F	63	HDM606012	60	MC303010	35	R242012	55
HD604824	60	HDM606012F	63	MC303010HQ	39	R242016	55
HD604824F	63	HDM606016	60	MC363612	35	R242406	55
HD606010	60	HDM606016F	63	MC363612HQ	39	R242408AL	57
HD606010F	63	HDM606024	60	MC484812	35	R242408SS	58
HD606012	60	HDM606024F	63	MC484812HQ	39	R242408-Z	55
HD606012F	63	HDM726010	60	PEB181801	68	R242410	55
HD606016	60	HDM726010F	63	PEB242401	68	R242412	55
HD606016F	63	HDM726012	60	PESC040435	68	R242412SS	58
HD606024	60	HDM726012F	63	PESC060635	68	R242416	55
HD606024F	63	HDM726016	60	R122406	55	R243008	55
HD726010	60	HDM726016F	63	R122408	55	R243008SS	58
HD726010F	63	HDM726020	60	R161206	55	R301208	55
HD726012	60	HDM726020F	63	R161206AL	57	R301606	55
HD726012F	63	HDM726024	60	R161206SS	58	R301608	55
HD726016	60	HDM726024F	63	R161208	55	R302006	55
HD726016F	63	HDM727210	60	R161208SS	58	R302008	55
HD726020	60	HDM727210F	63	R161210	55	R302008SS	58
HD726020F	63	HDM727212	60	R161606	55	R302010-Z	55
HD726024	60	HDM727212F	63	R161606SS	58	R302406	55
HD726024F	63	HDM727216	60	R161608	55	R302408	55
HD727210	60	HDM727216F	63	R162006	55	R302408AL	57
HD727210F	63	HDM727220	60	R162008	55	R302408SS	58
HD727212	60	HDM727220F	63	R201206	55	R302410	55
HD727212F	63	HDM727224	60	R201208	55	R302412	55
HD727216	60	HDM727224F	63	R201606	55	R302412AL	57
HD727216F	63	K161208	44	R201606AL	57	R302412SS	58
HD727220	60	K201608	44	R201606SS	58	R302416	55

## Index

Cat No.	Page	Cat No.	Page	Cat No.	Page	Cat No.	Page
R302420	55	R603620	55	S241606	49	TC(x)18128	28
R302424	55	R723012	55	S241608	49	TC(x)24186	28
R303008	55	R723016	55	S241610	49	TC(x)24188	28
R303008SS	58	R723020	55	S242006	49	TC(x)24246	28
R303012	55	R723024	55	S242008	49	TC(x)24248	28
R303608	55	R723612	55	S242010	49	TC(x)30246	28
R362406	55	R723616	55	SBB70	22	TC(x)30248	28
R362408	55	S040403	48	SBB100	22	TC(x)30306	28
R362408SS	58	S040403AL	52	SBB200	22	TC(x)30308	28
R362410SS	58	S040404	48	SBB400	22	TC(x)36246	28
R362410-Z	55	S060403	48	SBB600	22	TC(x)36248	28
R362412	55	S060403AL	52	SBT70	22	TC(x)36306	28
R363006	55	S060404	48	SBT100	22	TC(x)36308	28
R363008	55	S060404SS	53	SBT200	22	TC(x)36366	28
R363008AL	57	S060604	48	SBT400	22	TC(x)36368	28
R363008SS	58	S060604AL	52	SBT600	22	TC(x)48306	28
R363010	55	S060604SS	53	T273	15	TC(x)48308	28
R363010SS	58	S080604	48	T274	15	TC(x)48366	28
R363012	55	S080604AL	52	T373	15	TC(x)48368	28
R363012AL	57	S080604SS	53	T374	15	TC(x)48486	28
R363012SS	58	S080804	48	T473	15	TC(x)48488	28
R363016	55	S080806SS	53	T474	15	TGR200	92
R363016SS	58	S100804	48	T2103-Z	15	TGR400	92
R363020	55	S100804AL	52	T2104	15	TGR600	92
R363608	55	S100804SS	53	T2203	15	VE100603	42
R363612	55	S100806	48	T3103	15	VE100606	42
R363612SS	58	S100806SS	53	T3104	15	VE120808	42
R422408	55	S101006	48	T3203-Z	15	VE151008	42
R423008	55	S121005	48	T3204	15	VE151010	42
R423010	55	S121005AL	52	T3403	15	VE151314	42
R423010SS	58	S121005SS	53	T4103	15	VE181617	42
R423012	55	S121008	48	T4104	15	VE181812	42
R423608	55	S121206	48	T4203	15	VE201010	42
R423608SS	58	S121206SS	53	T4204	15	VE202020	42
R423610	55	S141206AL	52	T4403	15	VE222215	42
R423612	55	S141206SS	53	T4404	15	VE253030	42
R423616	55	S141206-Z	48	T4603	15	VE441010	42
R482408	55	S141208	48	T4604	15	VFB100	32
R483008	55	S141208AL	52	T5203	15	VFB200	32
R483010-Z	55	S141208SS	53	T5204	15		
R483608	55	S161406	48	T5403	15		
R483608AL	57	S161406AL	52	T5404	15		
R483608SS	58	S161406SS	53	T5603	15		
R483610	55	S161408	48	T5604	15		
R483612	55	S161410	48	T6103	15		
R483612SS	58	S161410AL	52	T6104	15		
R483616	55	S161410SS	53	T6203	15		
R483616SS	58	S201206	49	T6204	15		
R483620	55	S201208	49	T6403	15		
R603608	55	S201606	49	T6404	15		
R603610	55	S201608	49	T6603	15		
R603612AL	57	S201610	49	T6604	15		
R603612SS	58	S241206	49	TC(x)12126	28		
R603612-Z	55	S241208	49	TC(x)12128	28		
R603616	55	S241210	49	TC(x)18126	28		







---

**ABB Electrification Canada Inc.**

700 Thomas Avenue  
Saint-Jean-sur-Richelieu, Quebec J2X 2M9  
Tel.: +1 (450) 347 5318

**[tnb.ca.abb.com](http://tnb.ca.abb.com)**